



US00D441026S

(12) **United States Design Patent**  
**Niiyama**

(10) **Patent No.:** **US D441,026 S**

(45) **Date of Patent:** **\*\* Apr. 24, 2001**

(54) **TRASH BOX ATTACHED ADVERTISEMENT BOARD**

**FOREIGN PATENT DOCUMENTS**

(76) Inventor: **Heiji Niiyama**, 23-14-825, Tairamachi  
1-chome, Meguro-ku, Tokyo, 152-0032  
(JP)

1057261 12/1999 (JP) .  
12-002311 2/2000 (JP) .

\* cited by examiner

(\*\*) Term: **14 Years**

*Primary Examiner*—Marcus A. Jackson  
(74) *Attorney, Agent, or Firm*—McDermott, Will & Emery

(21) Appl. No.: **29/127,537**

(57) **CLAIM**

(22) Filed: **Aug. 9, 2000**

The ornamental design for a trash box attached advertisement board, as shown and described.

(51) **LOC (7) Cl.** ..... **20-02**

(52) **U.S. Cl.** ..... **D20/10**

(58) **Field of Search** ..... D20/10, 40, 41;  
40/1, 584, 608, 610, 611, 612, 624, 642,  
649, 653, 661

**DESCRIPTION**

(56) **References Cited**

**U.S. PATENT DOCUMENTS**

D. 391,565 \* 3/1998 Nanjo ..... D20/10  
D. 418,878 \* 1/2000 Donahue ..... D20/10  
D. 433,713 \* 11/2000 Olivetti ..... D20/10

FIG. 1 is a perspective view of a trash box attached advertisement board showing our new design; FIG. 2 is a front elevational view; FIG. 3 is a rear elevational view; FIG. 4 is a top plan view; FIG. 5 is a bottom plan view; FIG. 6 is a right side elevational view; and, FIG. 7 is a sectional view of 7—7 of FIG. 2.

**1 Claim, 3 Drawing Sheets**

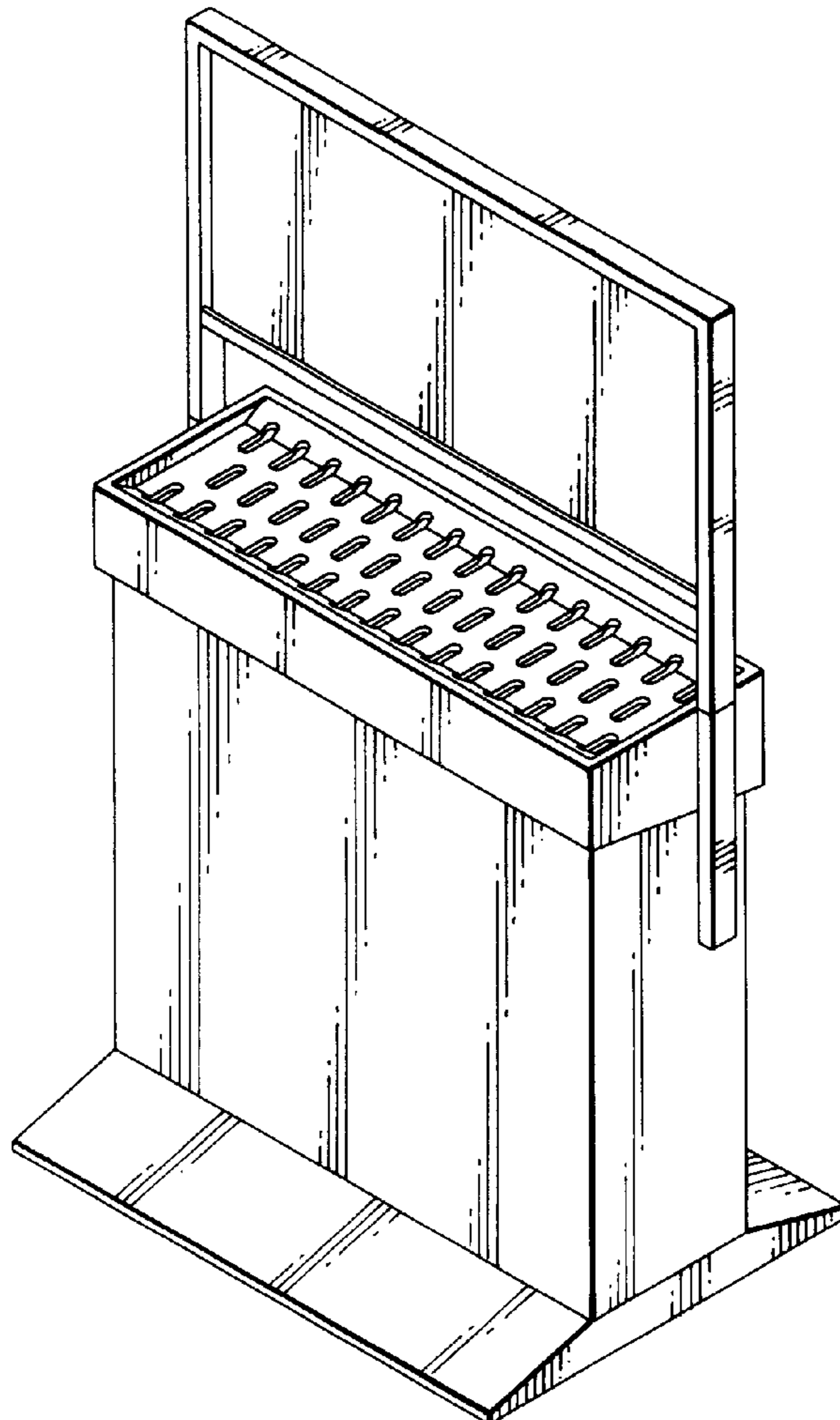


FIG. 1

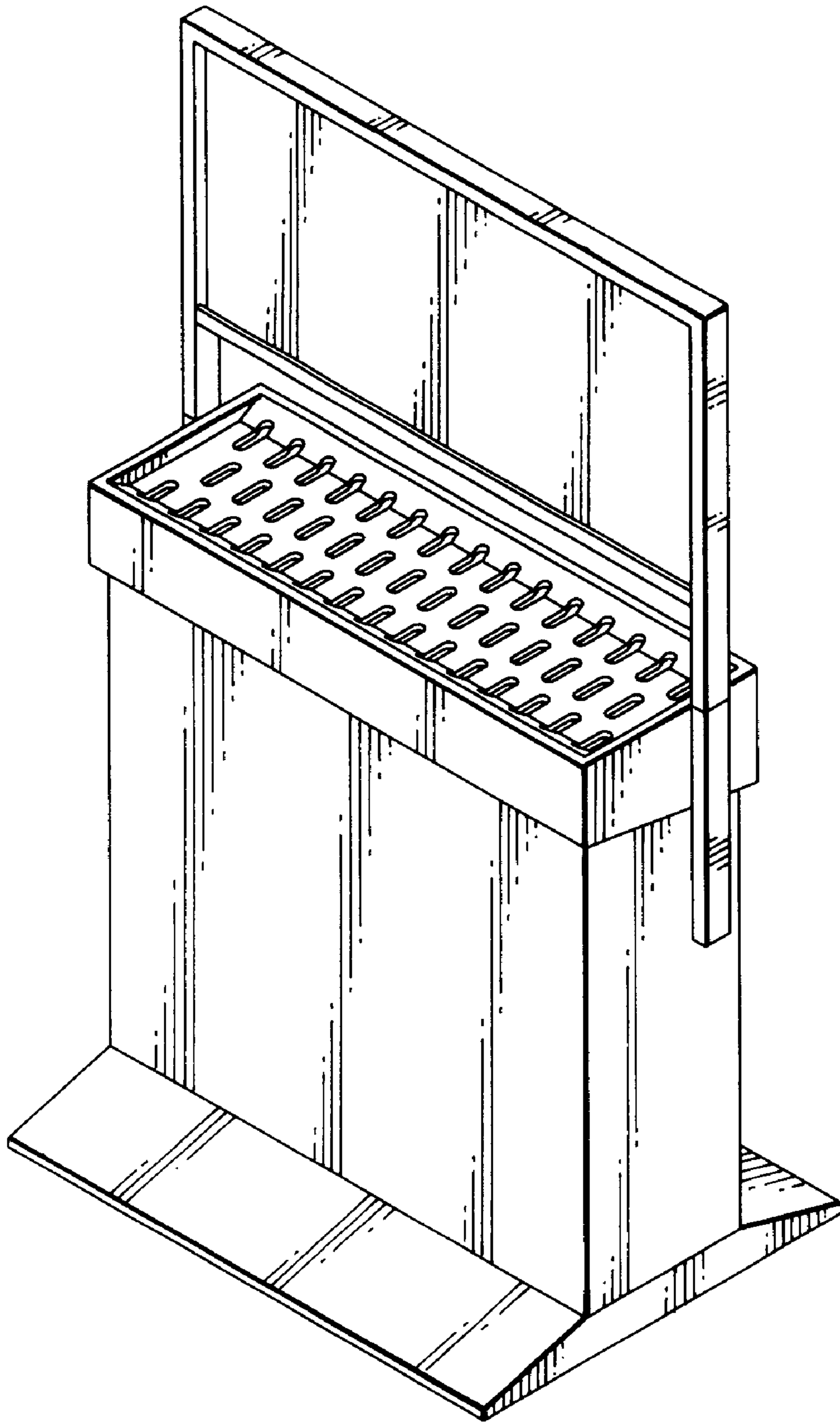
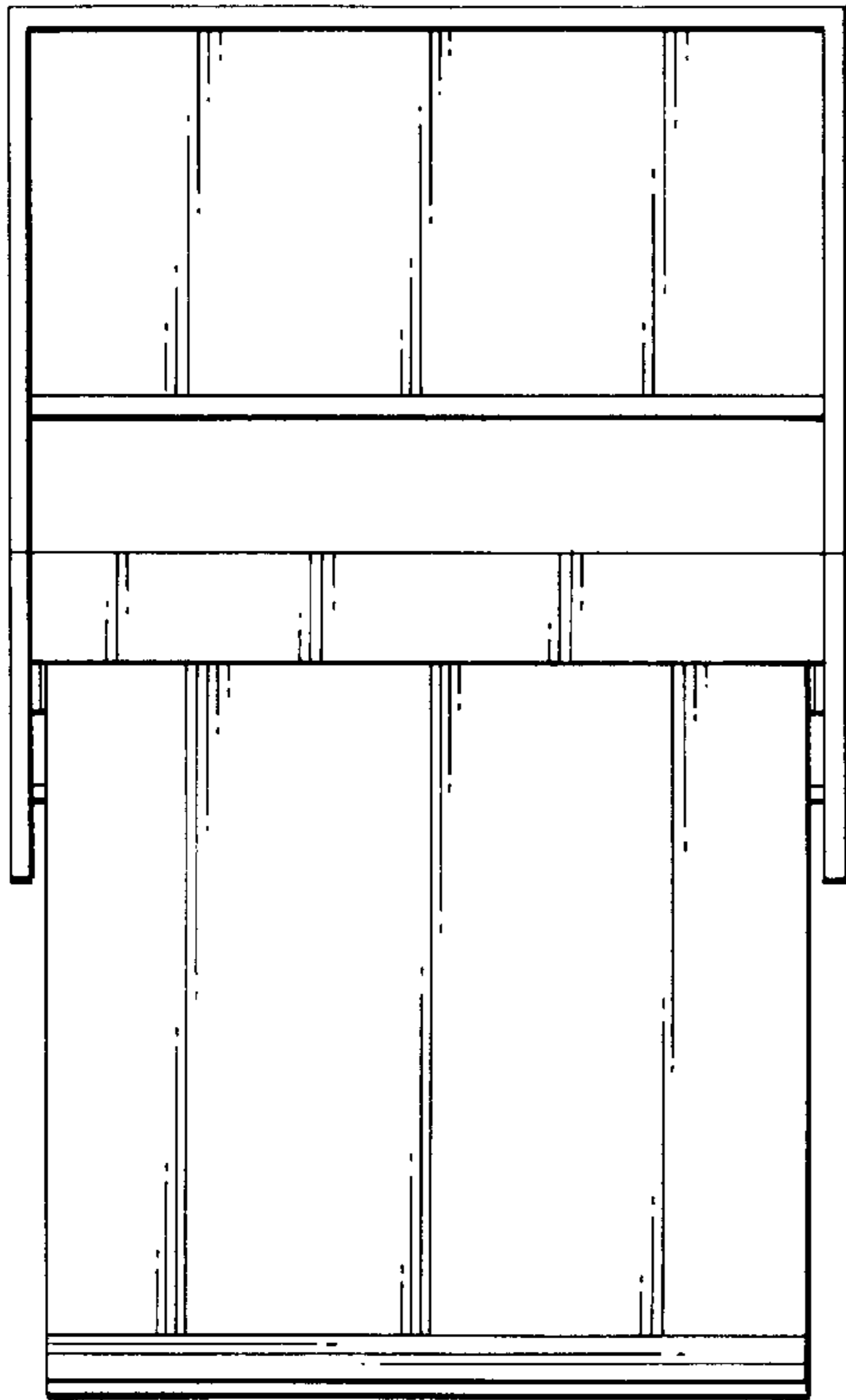


FIG.2

7 ←



7 ←

FIG.3

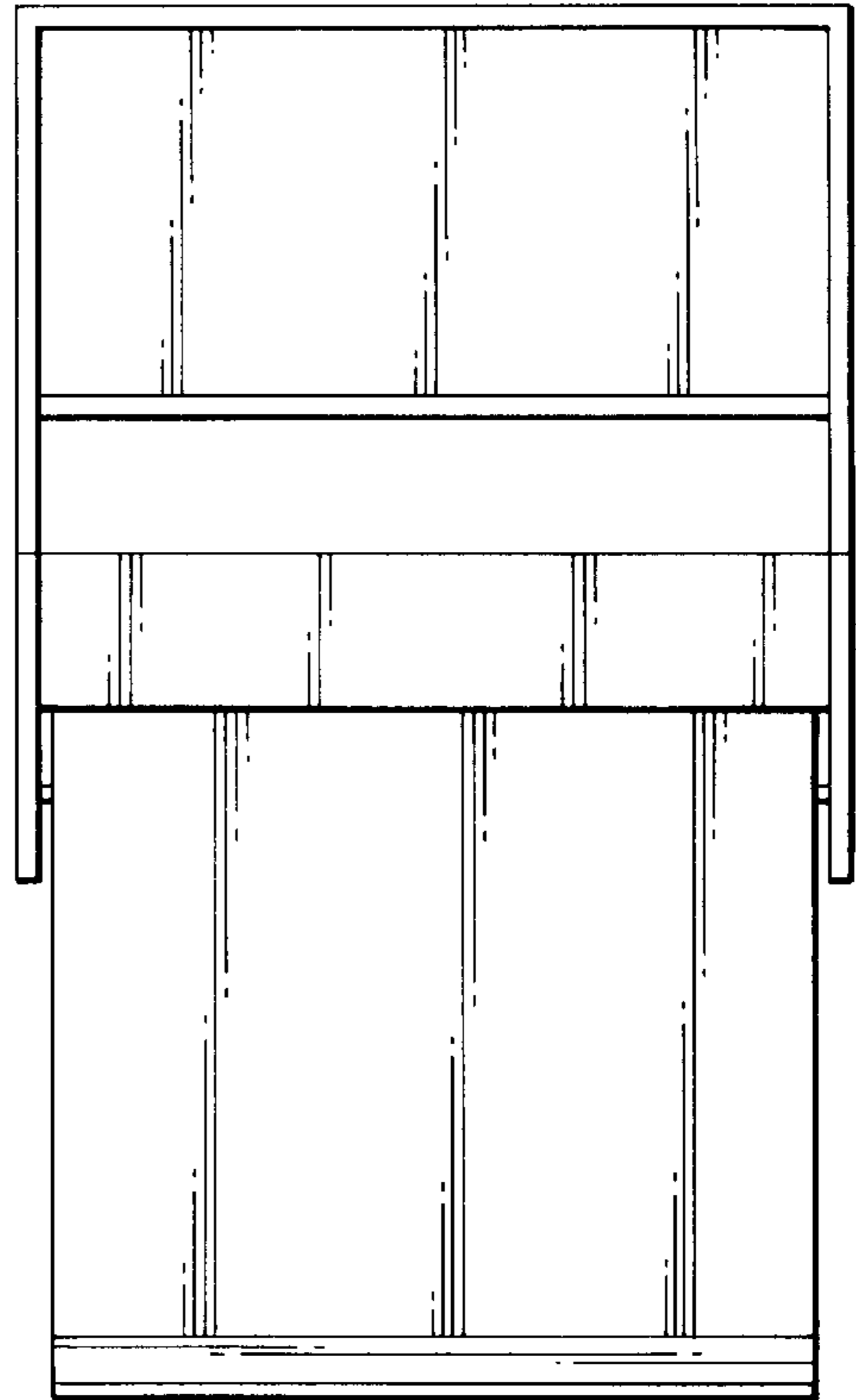


FIG.4

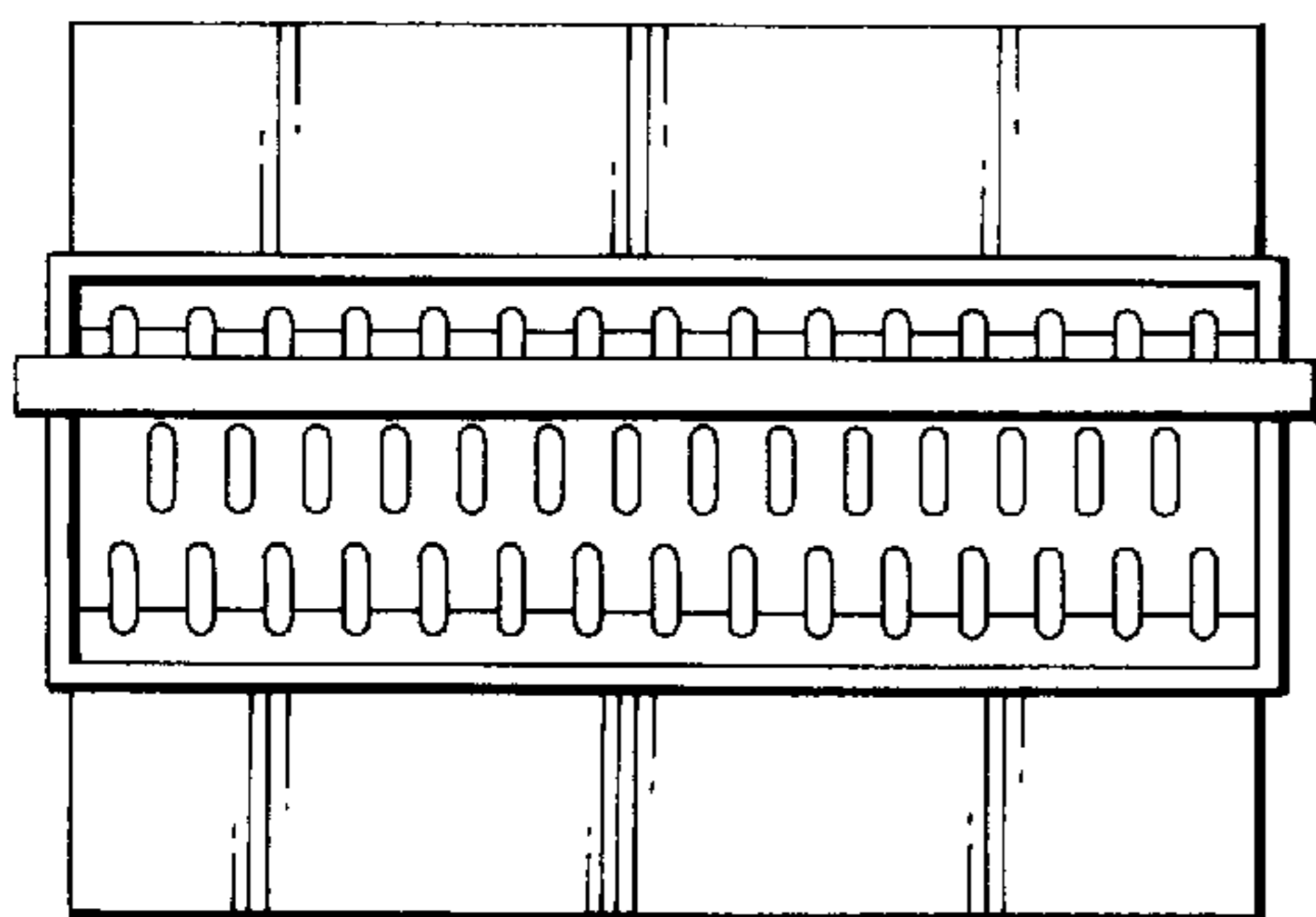


FIG.5

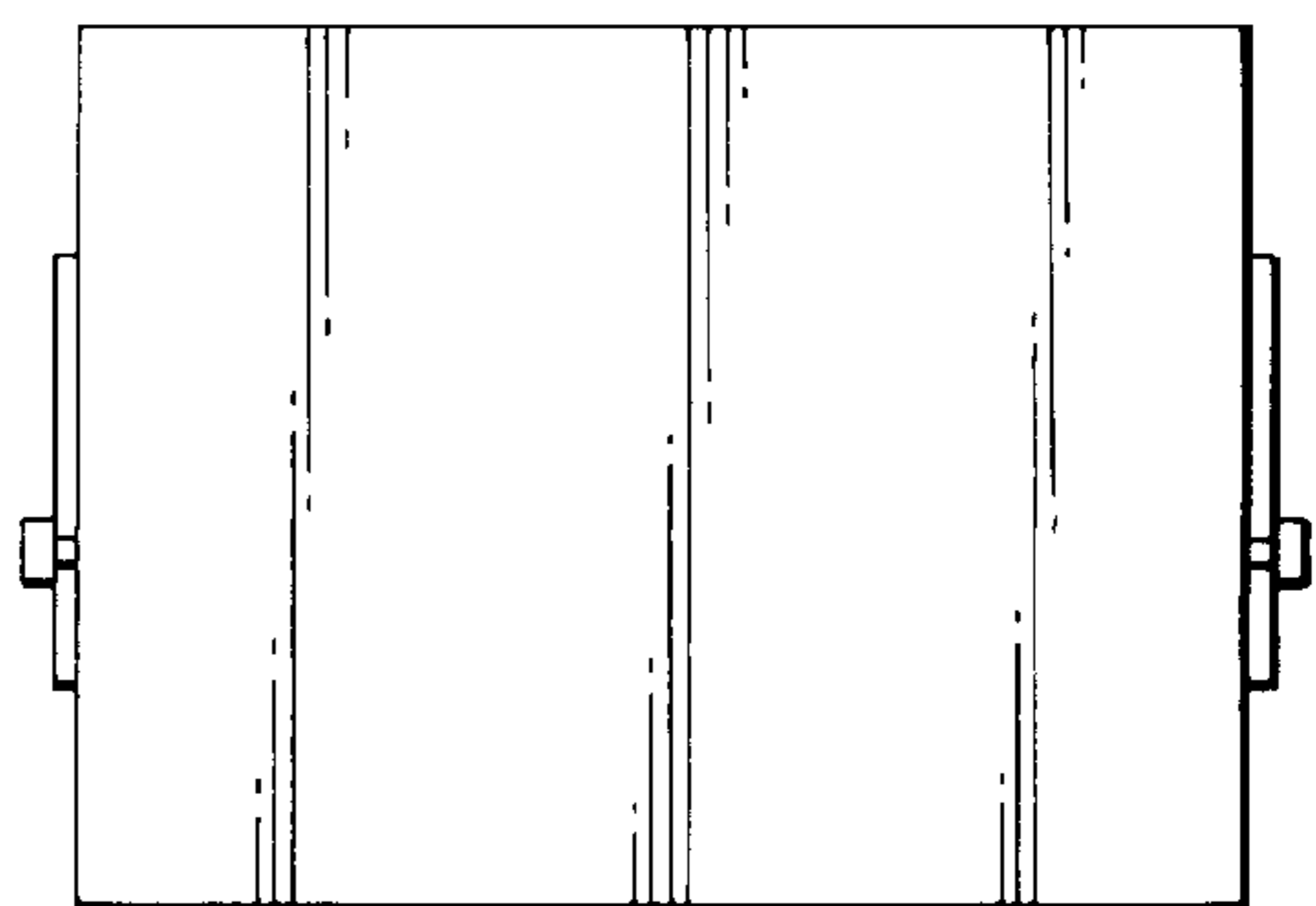


FIG.6

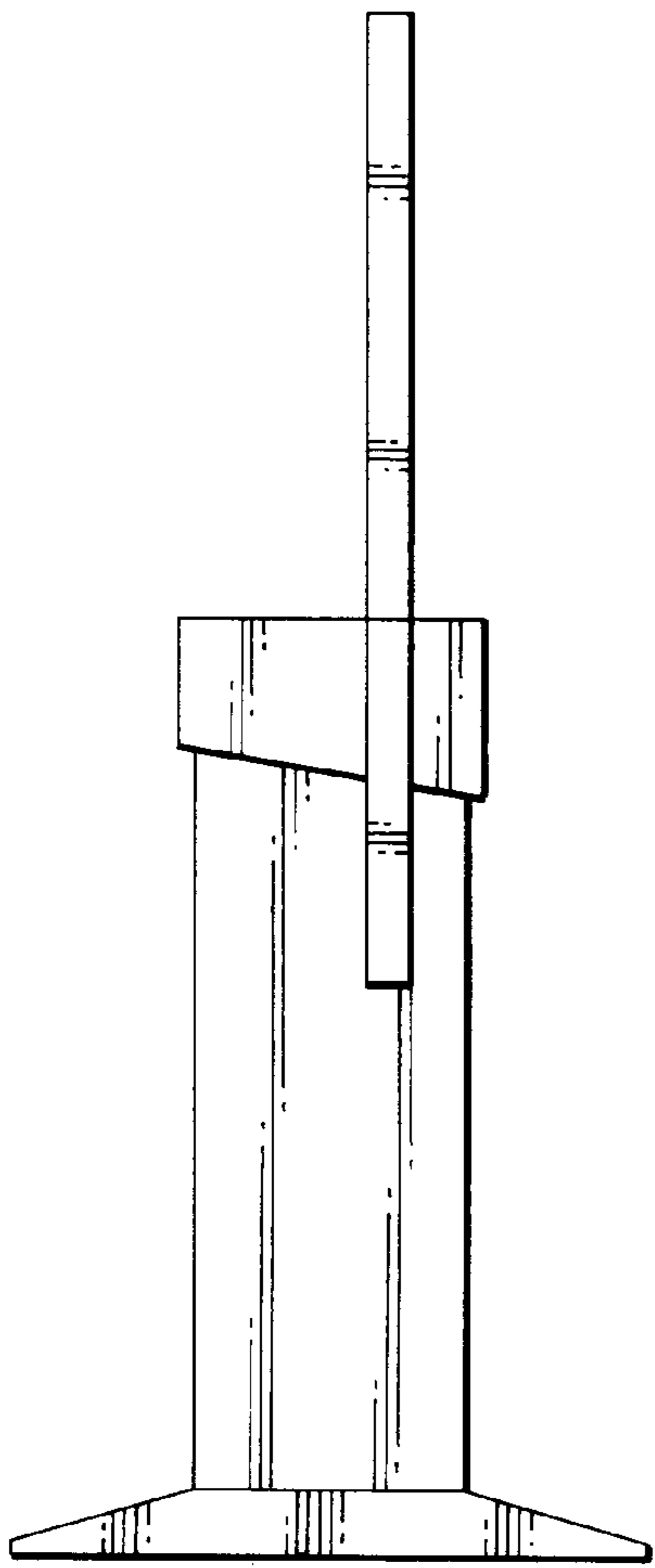


FIG.7

