



US00D441020S

(12) **United States Design Patent**
Leins

(10) **Patent No.: US D441,020 S**

(45) **Date of Patent: ** Apr. 24, 2001**

(54) **MULTI PURPOSE HAND OPERATED OFFICE UTENSIL**

(75) Inventor: **Hanspeter Leins**, Nagold (DE)

(73) Assignee: **C-Tech AG** (CH)

(**) Term: **14 Years**

(21) Appl. No.: **29/129,284**

(22) Filed: **Aug. 29, 2000**

Related U.S. Application Data

(62) Division of application No. 29/107,736, filed on Jul. 9, 1999, now Pat. No. Des. 436,130, which is a division of application No. 29/066,304, filed on Jan. 21, 1997, now Pat. No. Des. 415,201.

(51) **LOC (7) Cl.** **19-02**

(52) **U.S. Cl.** **D19/65; D8/105**

(58) **Field of Search** D19/65, 75, 77, D19/81-85, 99, 100; D8/98, 104, 105; 7/118, 119, 160, 163, 164; 30/152, 123

(56) **References Cited**

U.S. PATENT DOCUMENTS

D. 302,102	7/1989	Amagaya .	
D. 308,462	* 6/1990	Komatsu	D8/105
D. 318,070	7/1991	Amagaya .	
D. 321,637	* 11/1991	Chan	D8/105
D. 336,415	* 6/1993	Cheng	D8/105

(List continued on next page.)

FOREIGN PATENT DOCUMENTS

190350-3458	6/1958	(DE) .
26 25 749 A1	12/1977	(DE) .
41 10 688 A1	9/1991	(DE) .
2196896	4/1988	(GB) .
WO 84/01739	5/1984	(WO) .

OTHER PUBLICATIONS

Brochure, "Wenger, The Genuine Swiss Army Knife," 27 pages.

Brochure, "Wenger, The Genuine Swiss Army Knife™," 16 pages.

(List continued on next page.)

Primary Examiner—Martie K. Holtje

(74) *Attorney, Agent, or Firm*—Brinks Hofer Gilson & Lione

(57) **CLAIM**

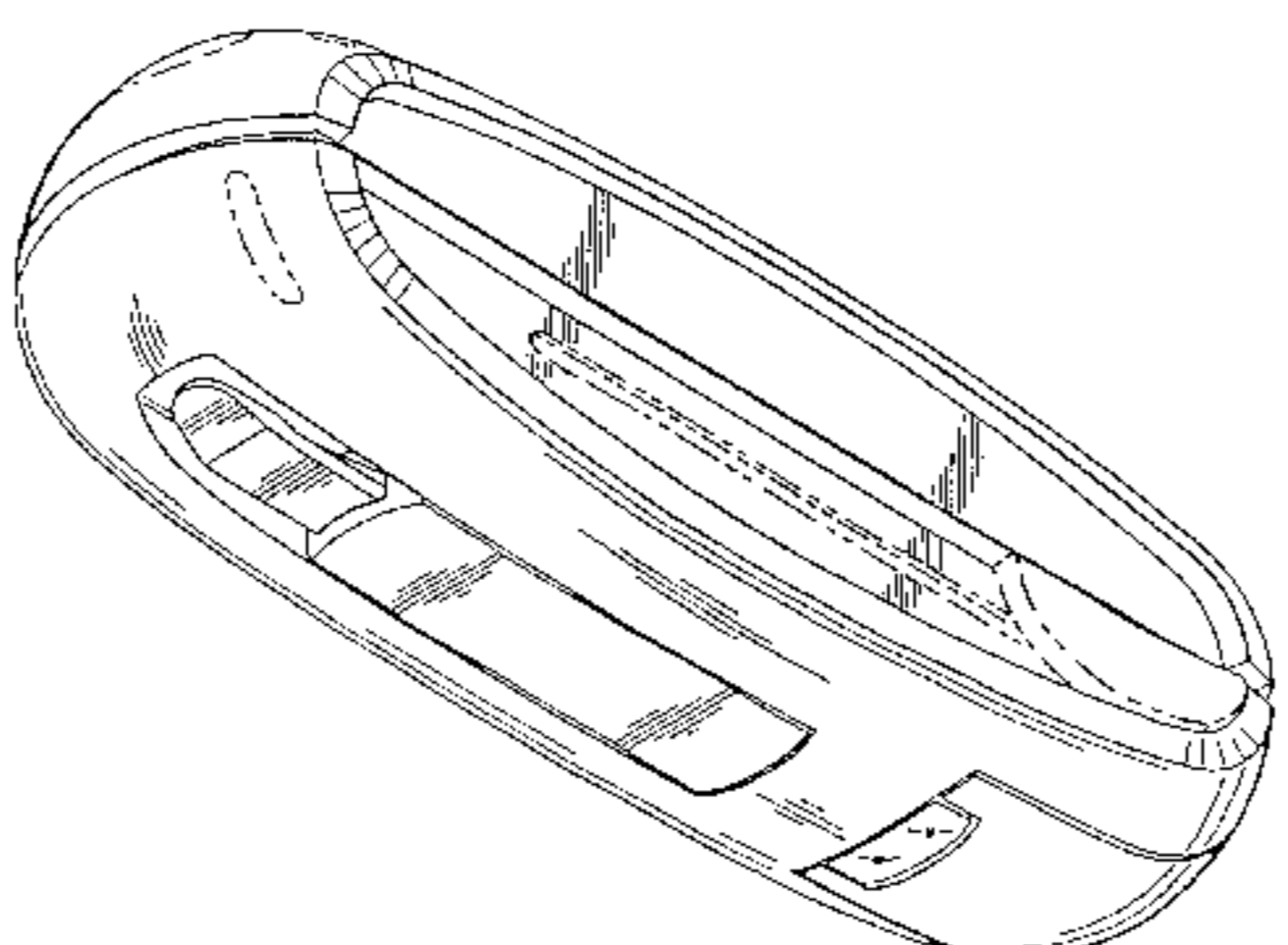
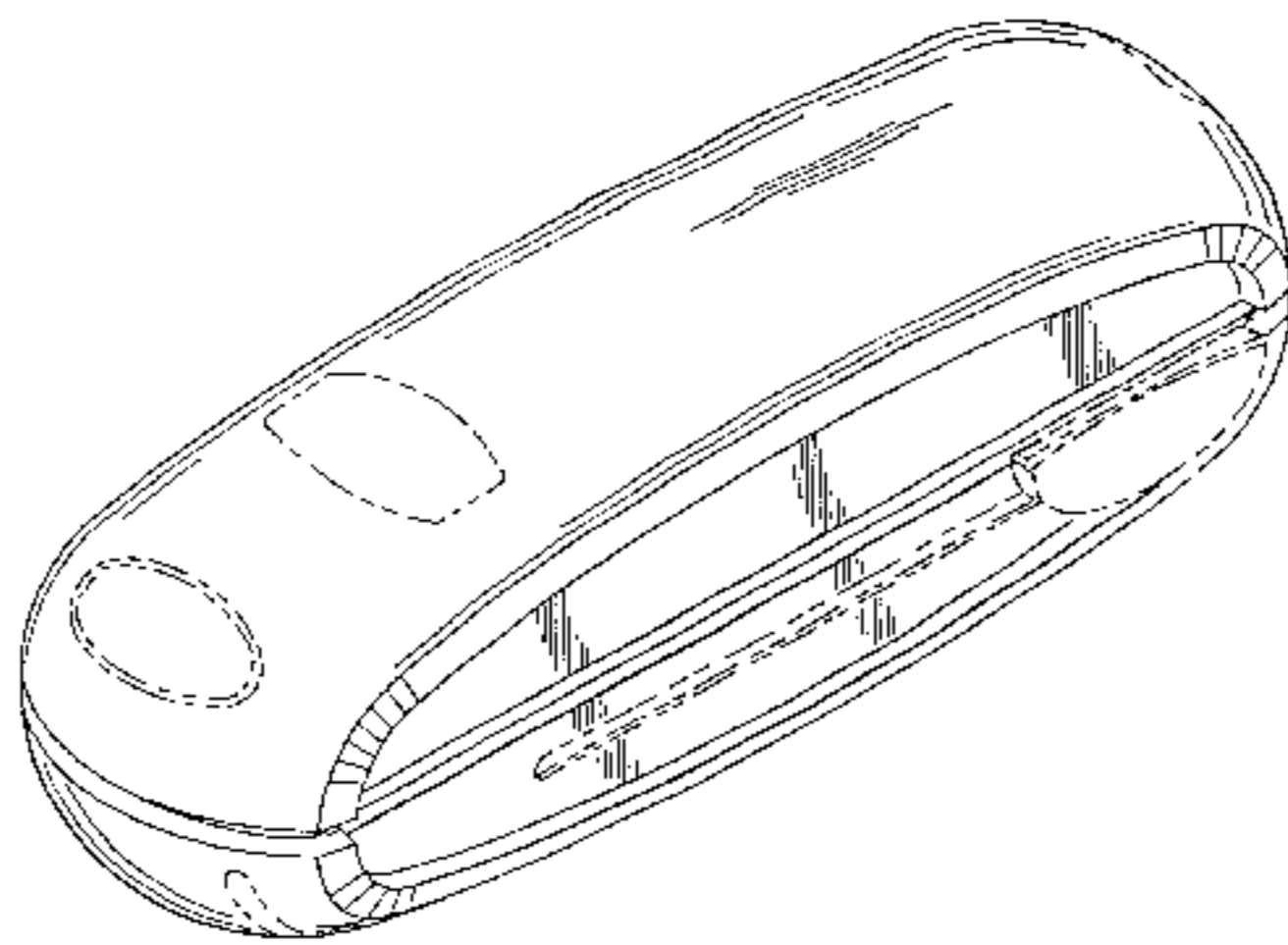
The ornamental design for a multi purpose hand operated office utensil, as shown and described.

DESCRIPTION

FIG. 1 is a top perspective view of a multi-purpose hand-operated office utensil showing my new design;
 FIG. 2 is a bottom perspective view of FIG. 1;
 FIG. 3 is a left side elevational view of FIG. 1;
 FIG. 4 is a right side elevational view of FIG. 1;
 FIG. 5 is a top plan view of FIG. 1;
 FIG. 6 is a bottom plan view of FIG. 1;
 FIG. 7 is a rear elevational view of FIG. 1;
 FIG. 8 is a front elevational view of FIG. 1;
 FIG. 9 is a second top perspective view of my design of FIG. 1;
 FIG. 10 is a bottom perspective view of FIG. 9;
 FIG. 11 is a left side elevational view of FIG. 9;
 FIG. 12 is a right side elevational view of FIG. 9;
 FIG. 13 is a top plan view of FIG. 9;
 FIG. 14 is a bottom plan view of FIG. 9;
 FIG. 15 is a rear elevational view of FIG. 9; and,
 FIG. 16 is a front elevational view of FIG. 9.

The variety of structural elements depicted by means of broken lines in FIGS. 1-16 have been shown for environmental purposes only and form no part of the claimed design.

1 Claim, 6 Drawing Sheets



U.S. PATENT DOCUMENTS

D. 415,201 10/1999 Leins .
D. 425,125 5/2000 Leins .
662,005 11/1900 Lewis .
790,432 5/1905 Heilrath .
857,459 6/1907 Hendrickson .
4,783,867 11/1988 Tsao .
4,794,692 1/1989 Wang .

OTHER PUBLICATIONS

Six Photographs Showing Top, Bottom, Left-Side, Right-Side, Front, and Rear view os "MoMA PLUS" Device.

WIPO International Design Bulletin, Issue No. 01/1997 (Mar. 23, 1997).

* cited by examiner

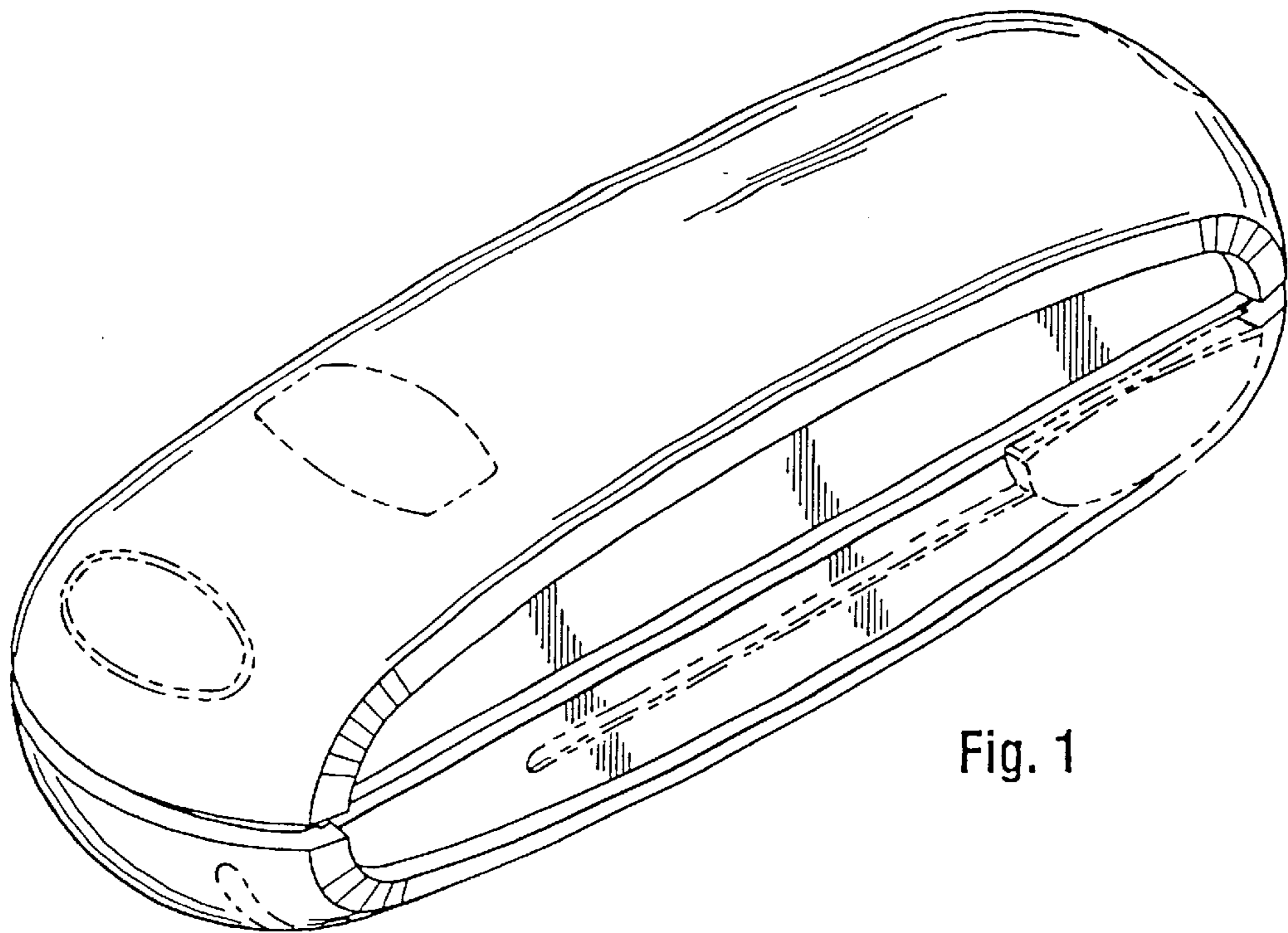


Fig. 1

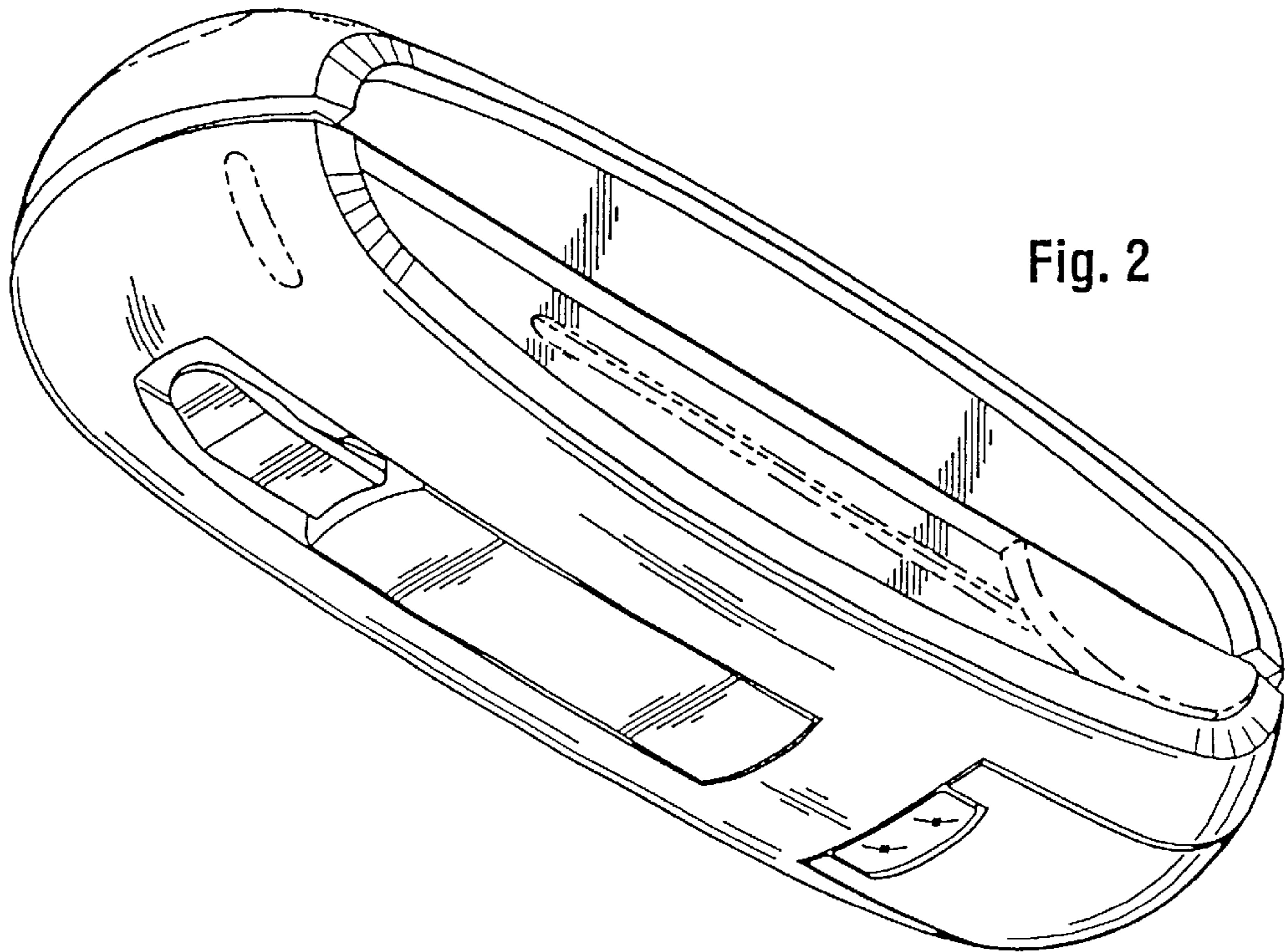


Fig. 2

Fig. 3

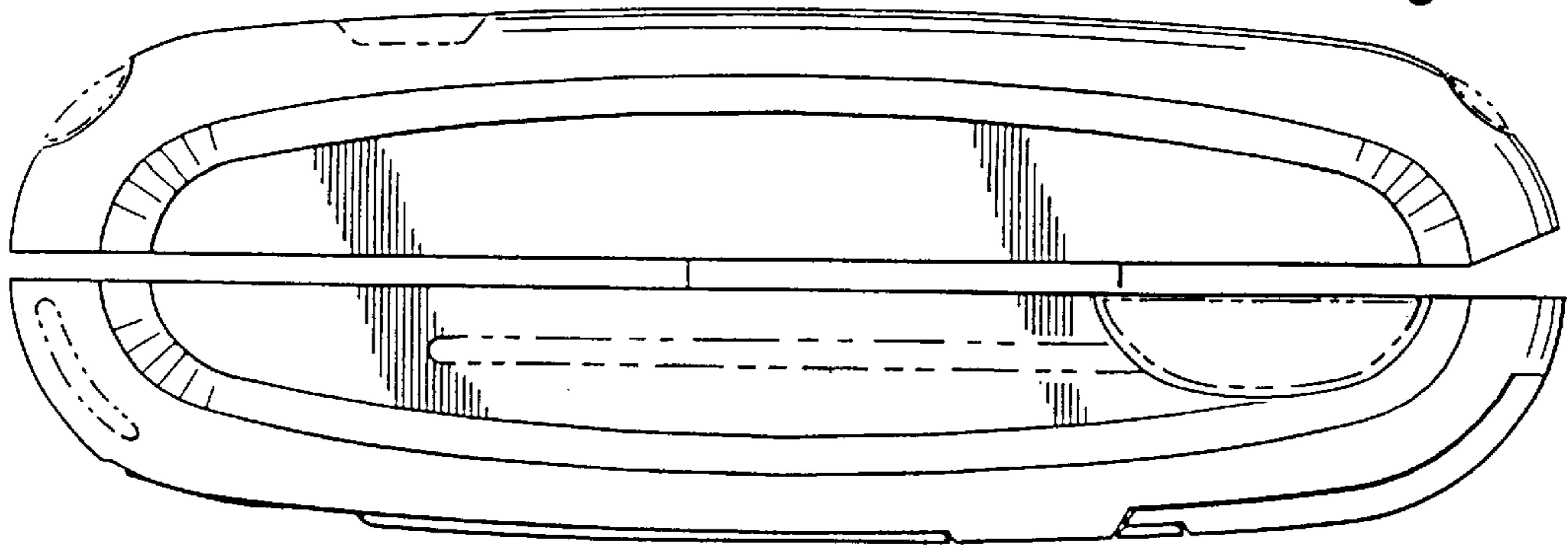


Fig. 4

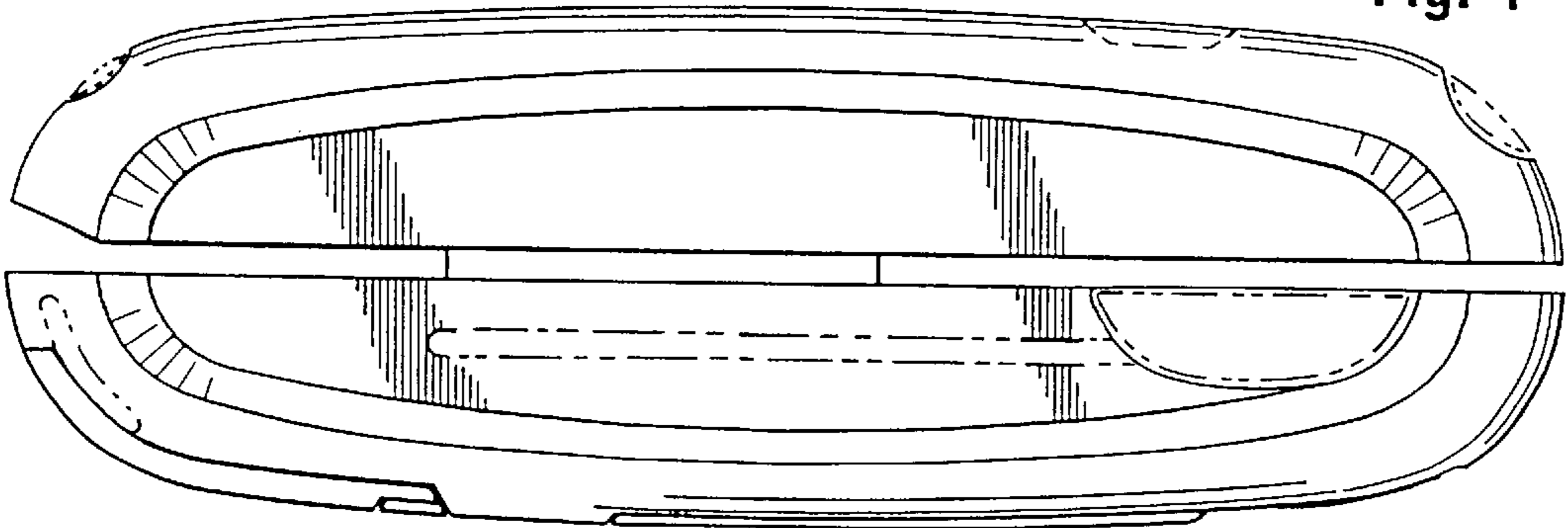


Fig. 5

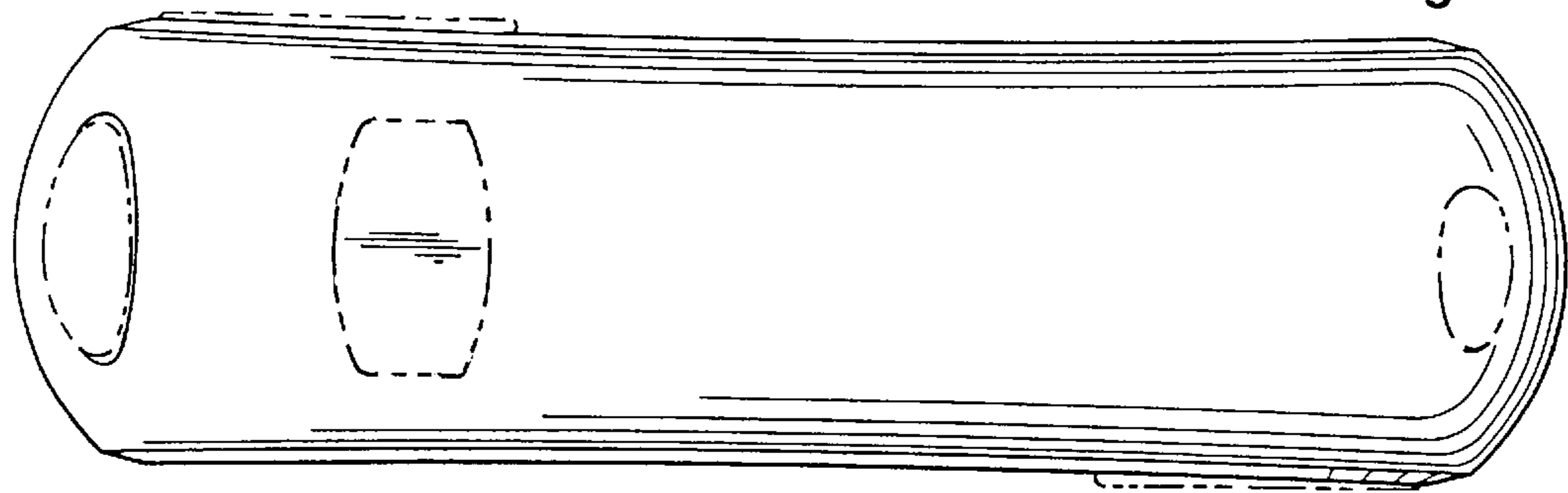


Fig. 6

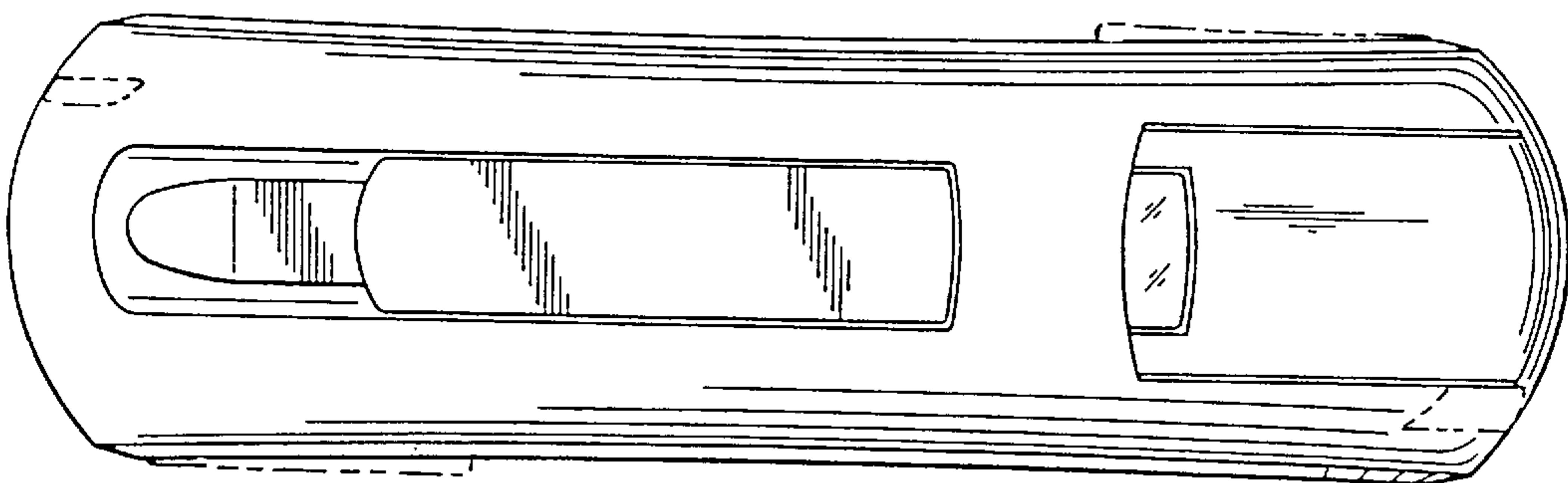


Fig. 7

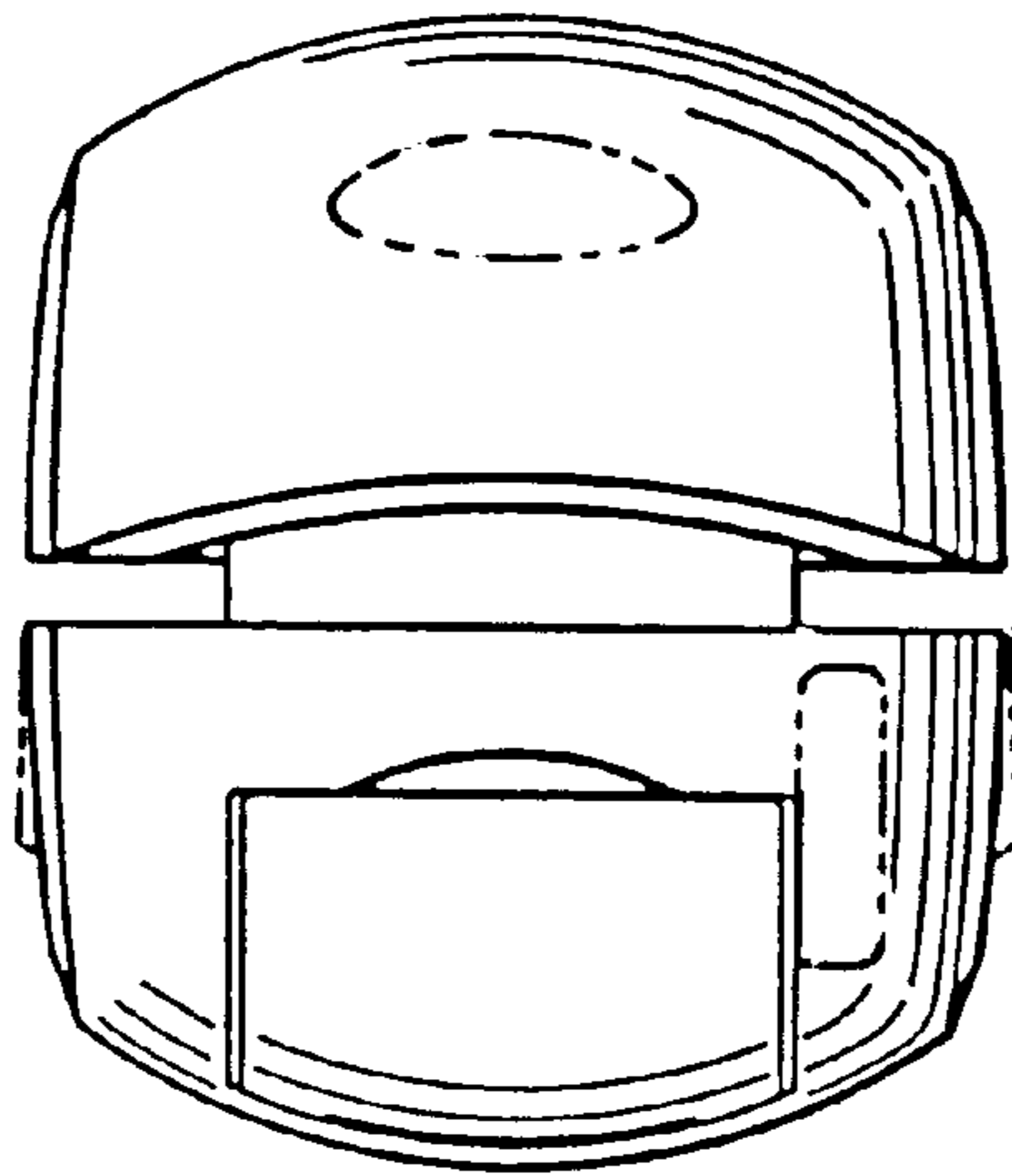
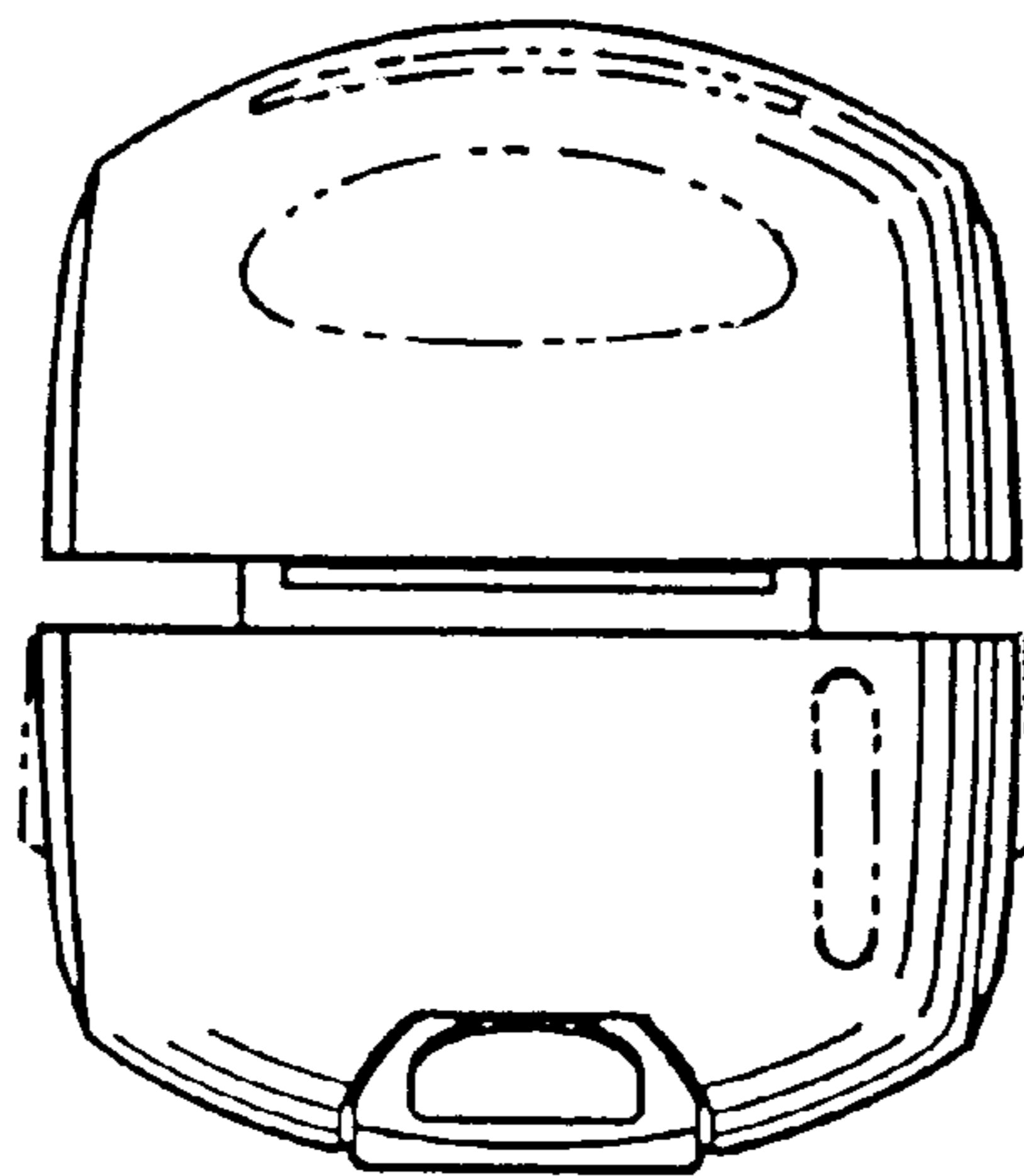


Fig. 8



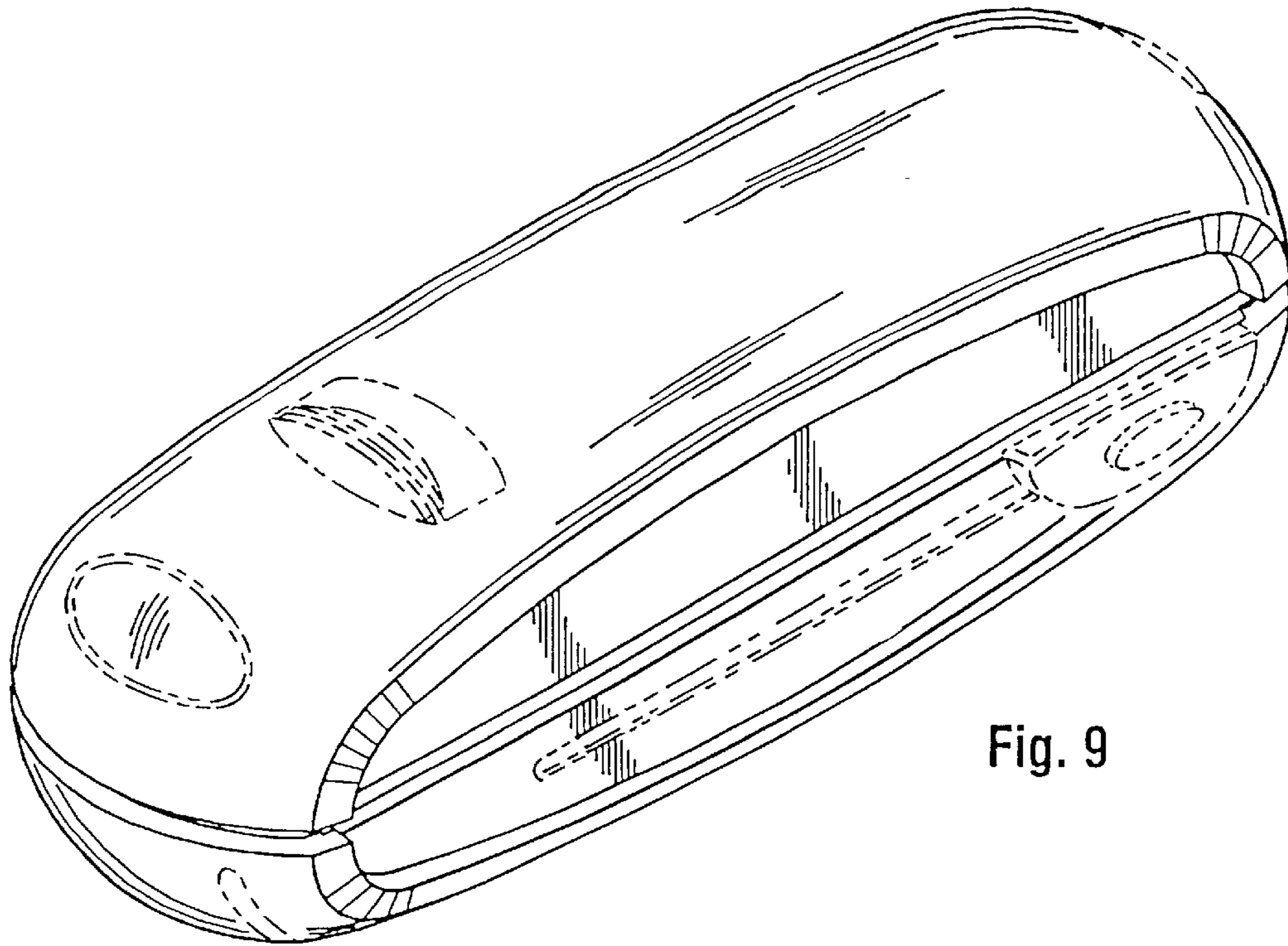


Fig. 9

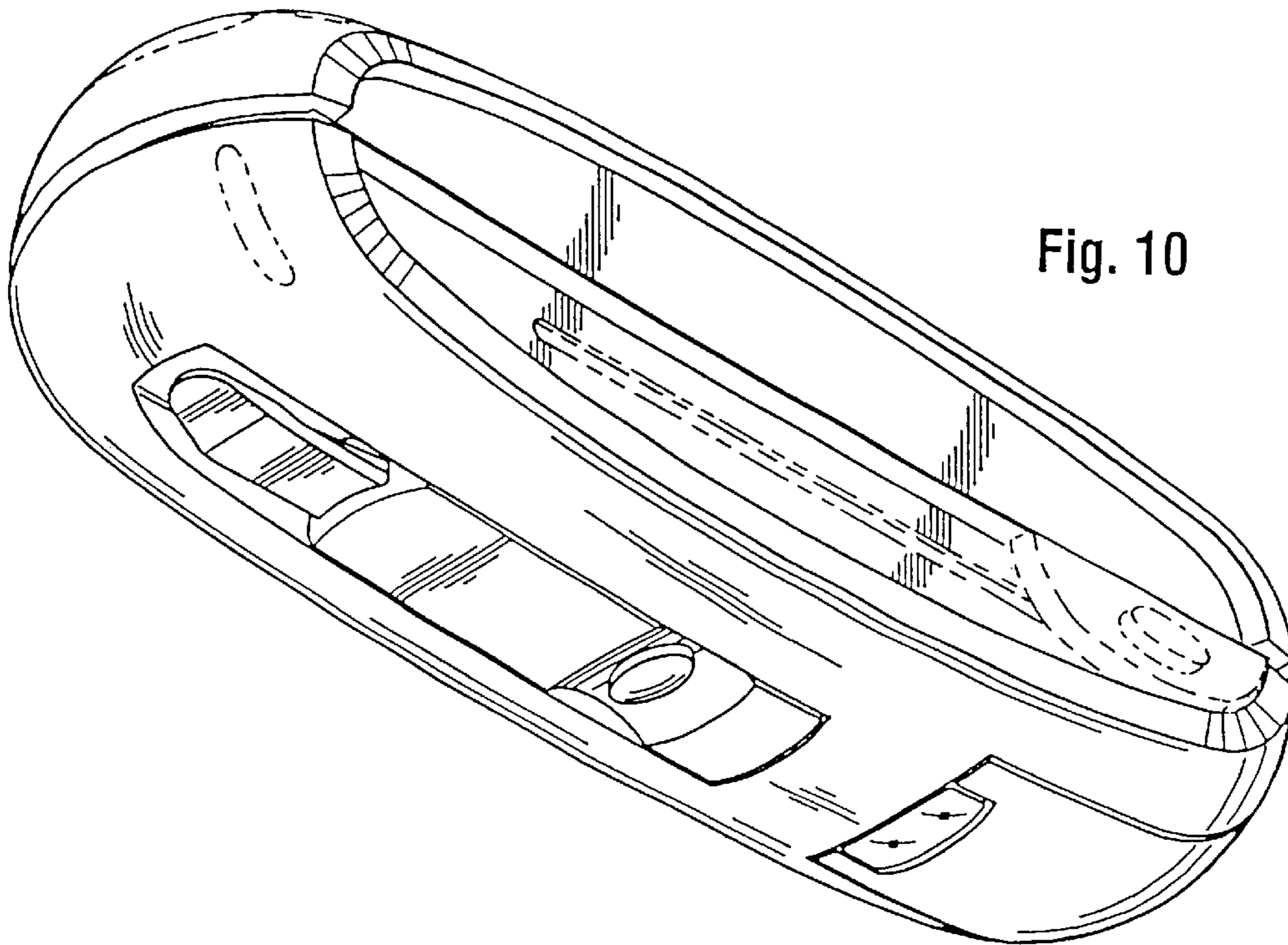


Fig. 10

Fig. 11

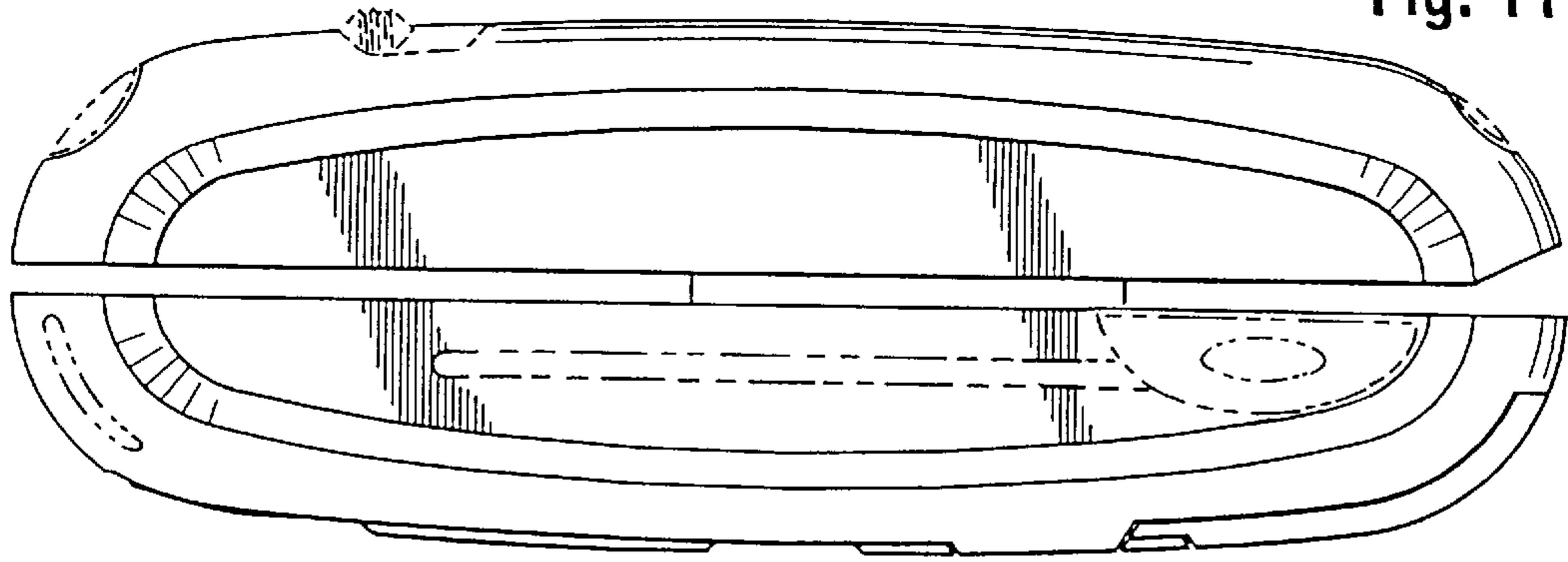


Fig. 12

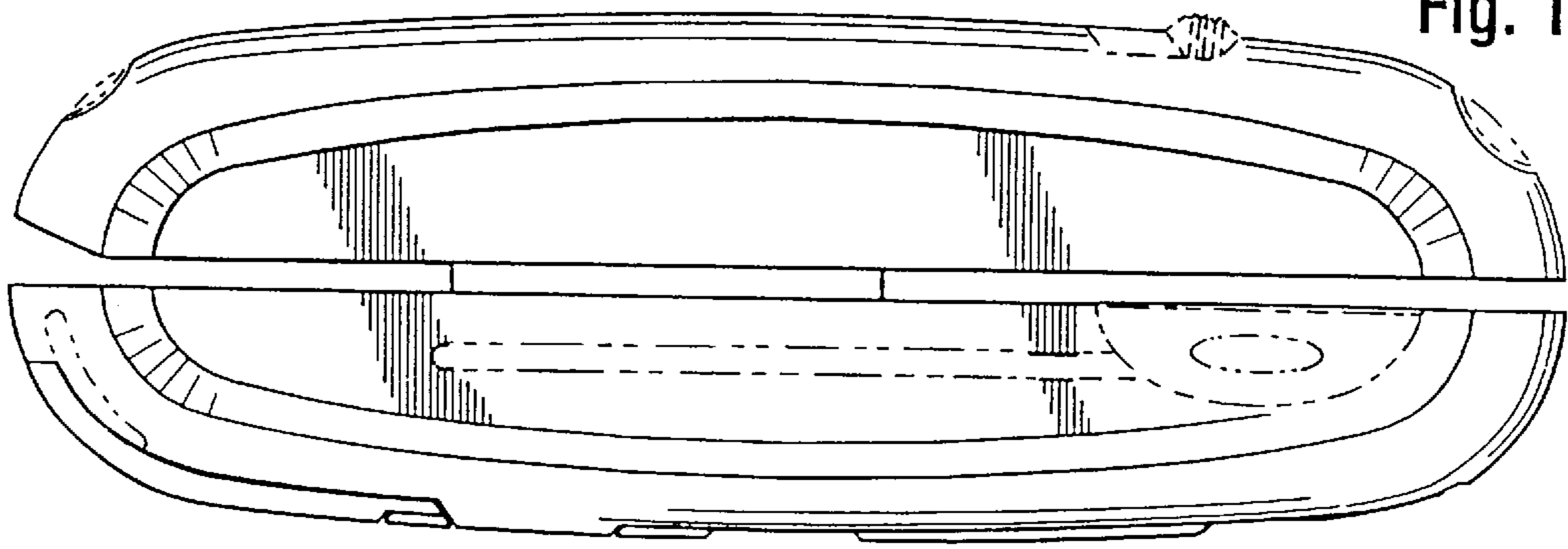


Fig. 13

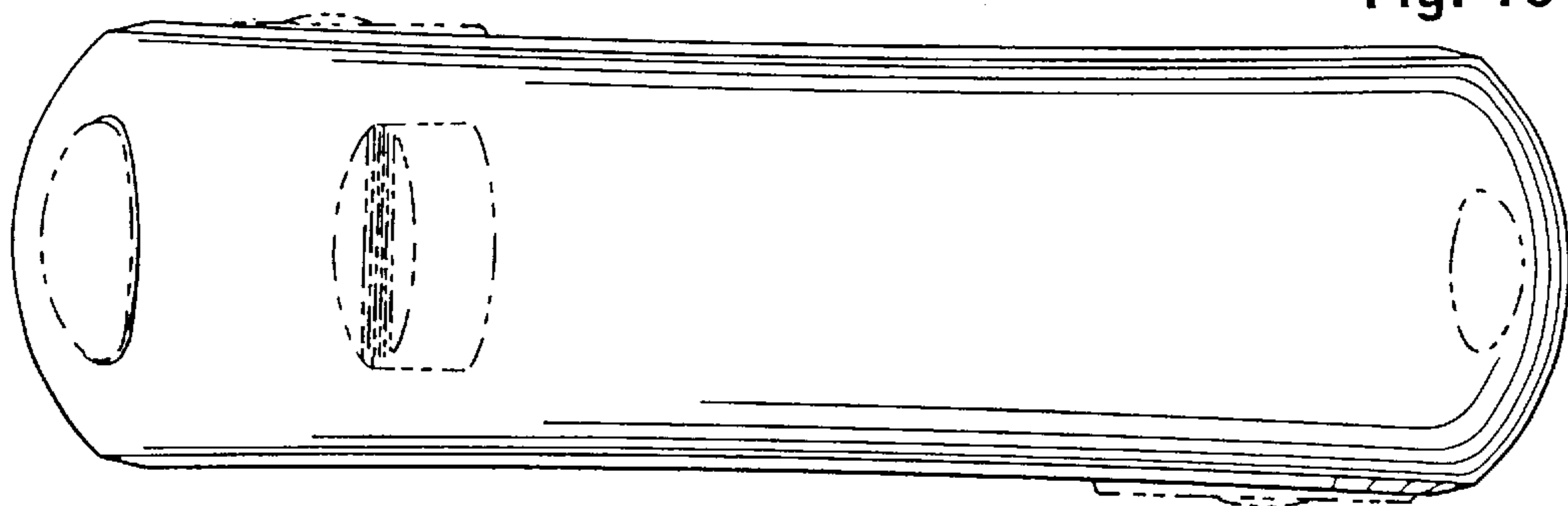


Fig. 14

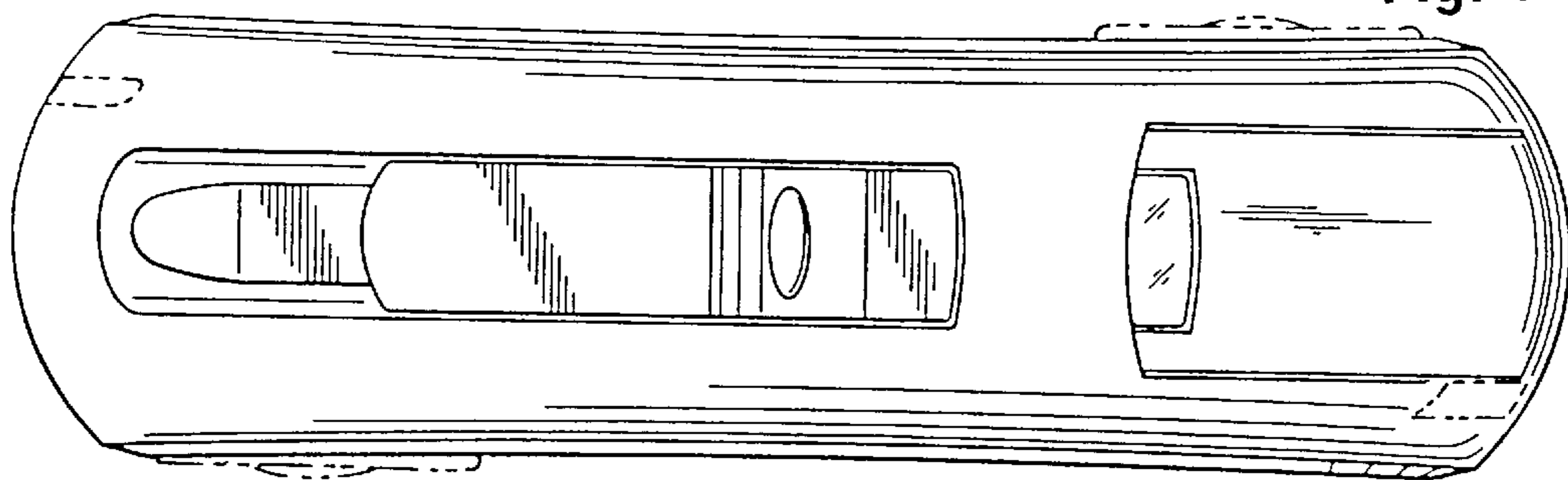


Fig. 15

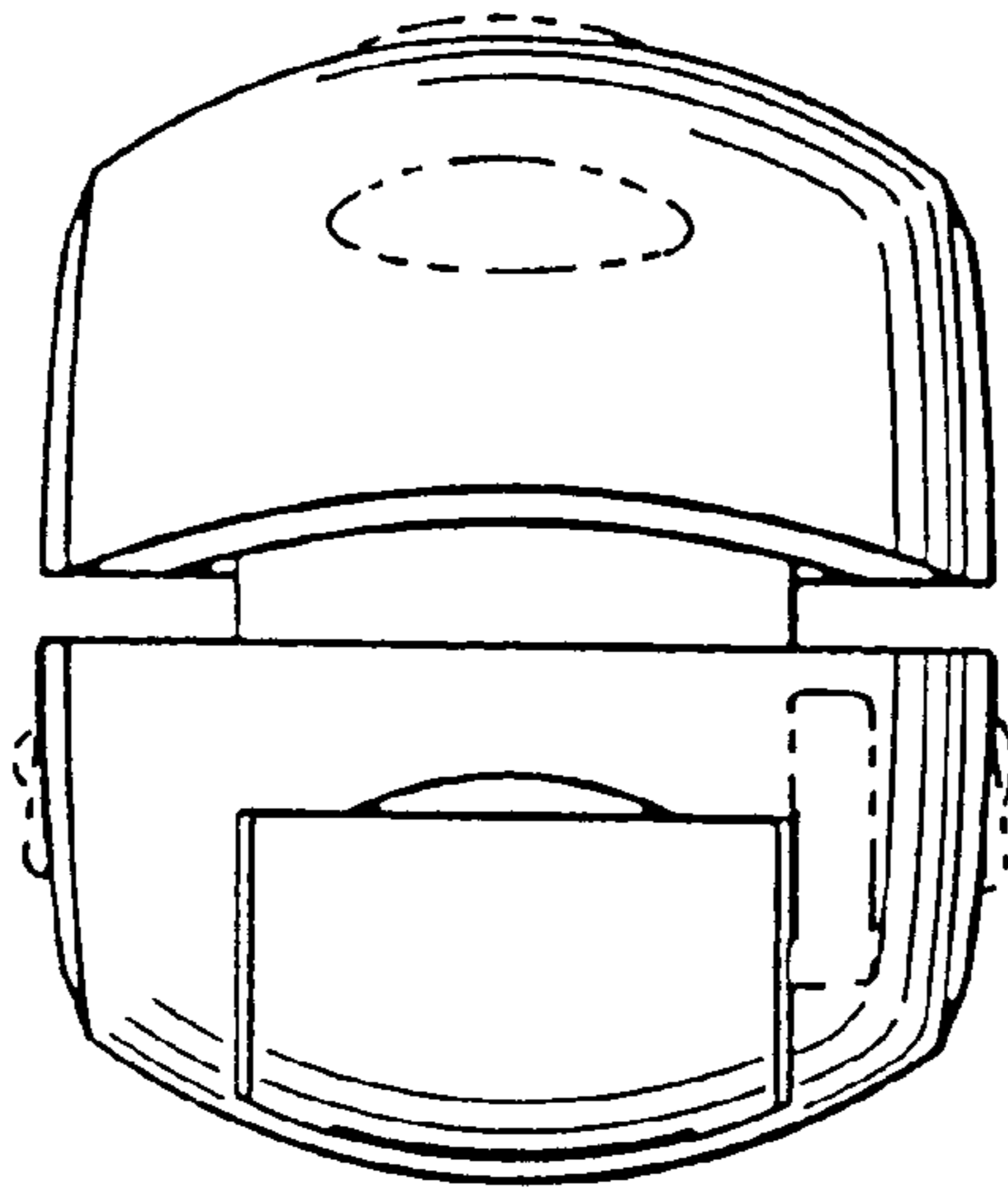


Fig. 16

