



US00D441019S

(12) **United States Design Patent**
Restrepo

(10) **Patent No.:** **US D441,019 S**

(45) **Date of Patent:** **** Apr. 24, 2001**

(54) **CLIP FOR PENS**

(75) Inventor: **Federico Restrepo**, Suresnes (FR)

(73) Assignee: **S.T. Dupont S.A.**, Paris (FR)

(**) Term: **14 Years**

(21) Appl. No.: **29/128,363**

(22) Filed: **Aug. 23, 2000**

(30) **Foreign Application Priority Data**

Mar. 30, 2000 (FR) 00 1972

(51) **LOC (7) Cl.** **19-06**

(52) **U.S. Cl.** **D19/56**

(58) **Field of Search** D19/35, 36, 41-51,
D19/53-58, 81-85; 401/99, 100, 104-106,
202, 243-247, 262; 24/10 R, 11 R, 11 CC,
11 HC, 11 C

(56) **References Cited**

U.S. PATENT DOCUMENTS

D. 139,551 * 11/1944 Loewy D19/56

D. 169,456 * 4/1953 Rhoades D19/56
D. 254,914 * 5/1980 Ito D19/48
D. 340,474 * 10/1993 Visage D19/49
D. 341,623 * 11/1993 Chuang D19/36
D. 385,914 * 11/1997 Shimizu D19/48

* cited by examiner

Primary Examiner—Martie K. Holtje

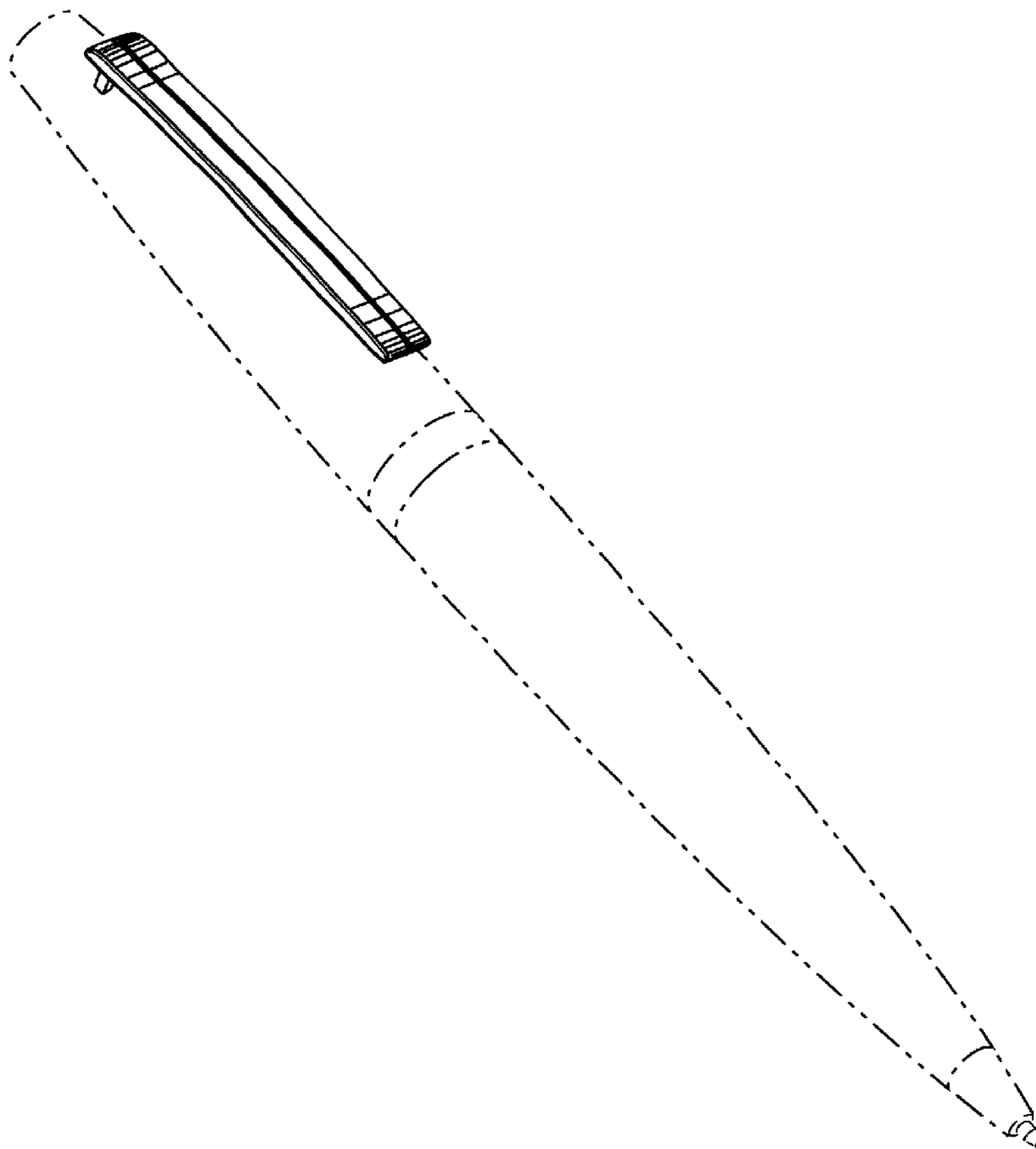
(57) **CLAIM**

I claim the ornamental design for a clip for pens, as shown and described.

DESCRIPTION

FIG. 1 is a perspective view thereof;
FIG. 2 is a top view of the clip;
FIG. 3 is a bottom view of the clip;
FIG. 4 is a side view thereof; and,
FIG. 5 is a front view of the clip.
The writing instrument depicted by means of broken lines in FIGS. 1 through 5 has been shown for illustrative purposes only and forms no part of the claimed design.

1 Claim, 3 Drawing Sheets



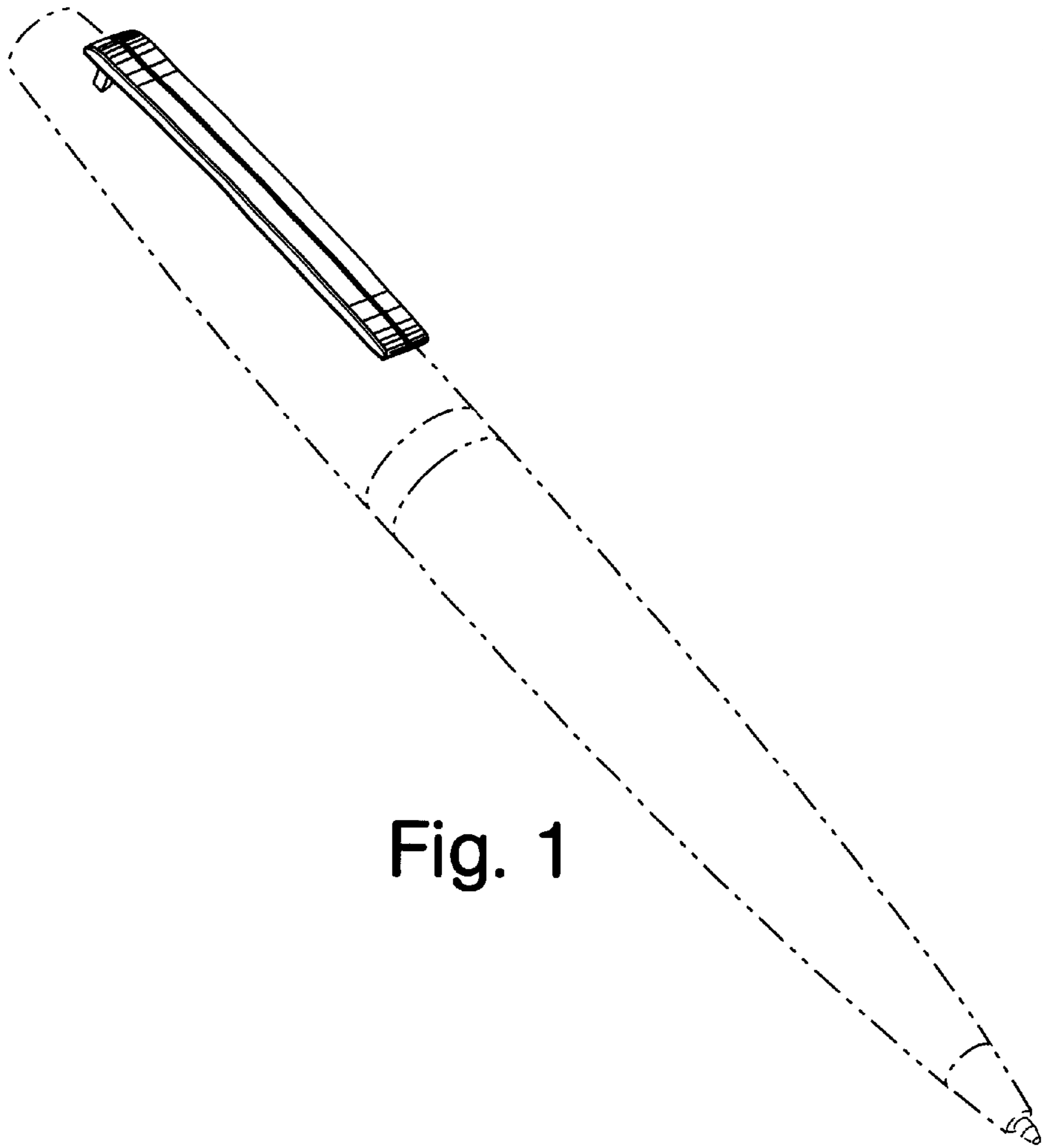


Fig. 1

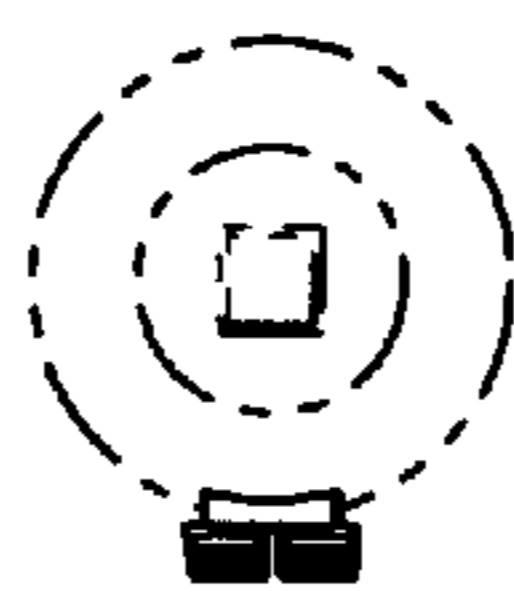


Fig. 2

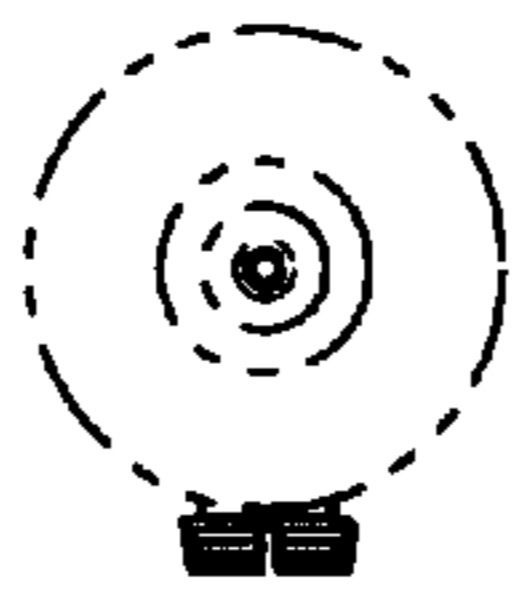


Fig. 3



Fig. 4



Fig. 5