



US00D441018S

(12) **United States Design Patent**
Droege

(10) **Patent No.:** **US D441,018 S**

(45) **Date of Patent:** **** Apr. 24, 2001**

(54) **WRITING IMPLEMENT**

D. 436,127 * 1/2001 Hung D19/43

(75) Inventor: **Detlef Droege**, Lage (DE)

* cited by examiner

(73) Assignee: **Inform Plastik GmbH**, Lemgo-Lieme (DE)

Primary Examiner—Martie K. Holtje
(74) *Attorney, Agent, or Firm*—Shinju Global IP Counselors, LLP

(**) Term: **14 Years**

(57) **CLAIM**

(21) Appl. No.: **29/133,239**

The ornamental design for a writing implement, as shown and described.

(22) Filed: **Nov. 28, 2000**

(30) **Foreign Application Priority Data**

DESCRIPTION

Aug. 11, 2000 (DE) 400 07 845

FIG. 1 is a front side perspective view of a writing implement in accordance with my new design;

(51) **LOC (7) Cl.** **19-06**

FIG. 2 is a right side elevational view of the writing implement illustrated in FIG. 1;

(52) **U.S. Cl.** **D19/51; D19/55; D19/56**

FIG. 3 is a left side elevational view of the writing implement illustrated in FIGS. 1 and 2;

(58) **Field of Search** D19/35, 36, 41-51, D19/53-58, 81-85; 401/6, 7, 88, 99-117, 209

FIG. 4 is a front elevational view of the writing implement illustrated in FIGS. 1-3;

(56) **References Cited**

FIG. 5 is a rear elevational view of the writing implement illustrated in FIGS. 1-4;

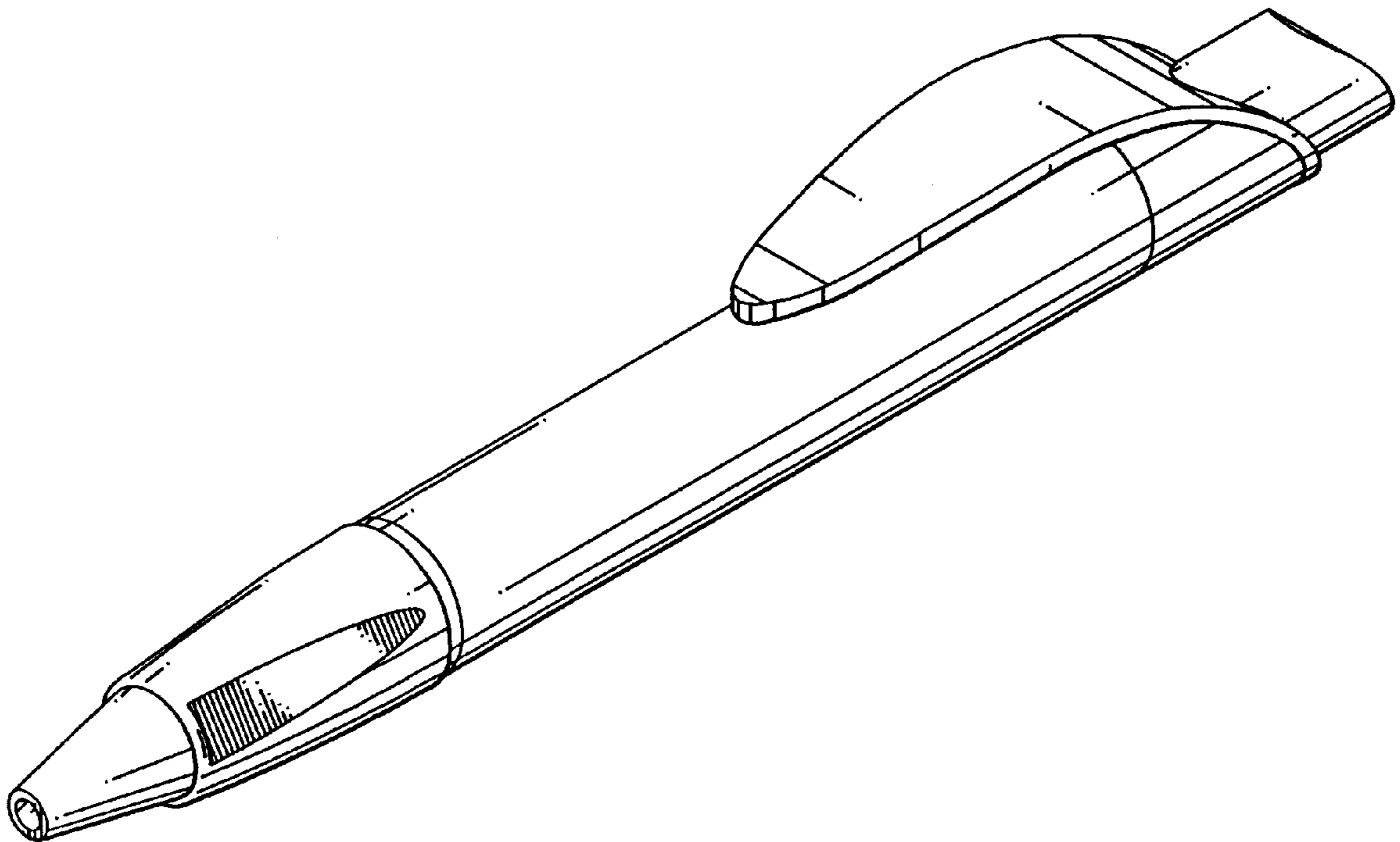
U.S. PATENT DOCUMENTS

- D. 110,810 * 8/1938 Kahn D19/49
- D. 312,096 * 11/1990 Vitrac D19/51
- D. 395,674 * 6/1998 Gacia D19/51
- D. 406,862 * 3/1999 Schmidt et al. D19/51
- D. 418,541 * 1/2000 Mayer D19/50
- D. 430,209 * 8/2000 Rommel D19/50

FIG. 6 is a bottom end plan view of the writing implement illustrated in FIGS. 1-5; and,

FIG. 7 is top end plan view of the writing implement illustrated in FIGS. 1-6.

1 Claim, 3 Drawing Sheets



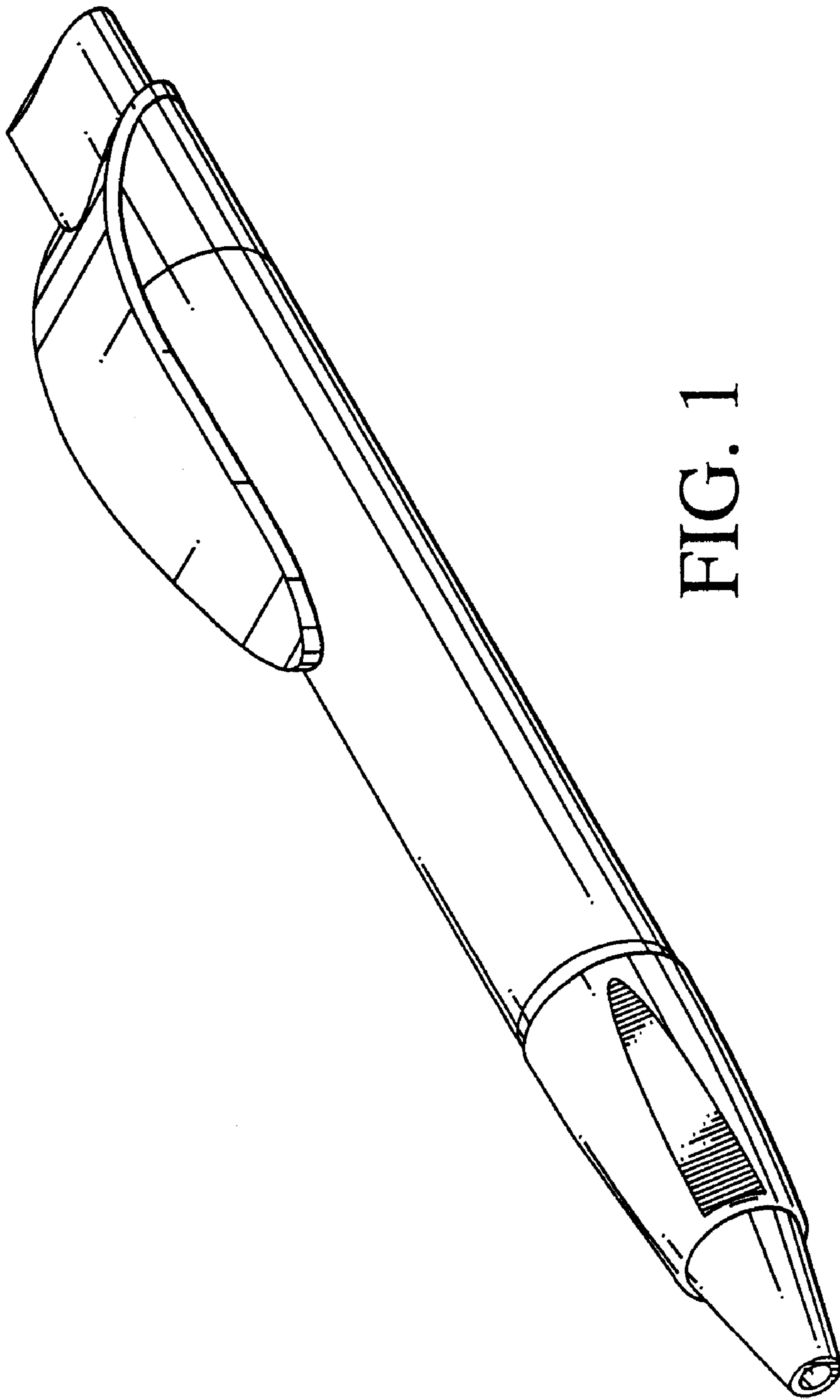


FIG. 1

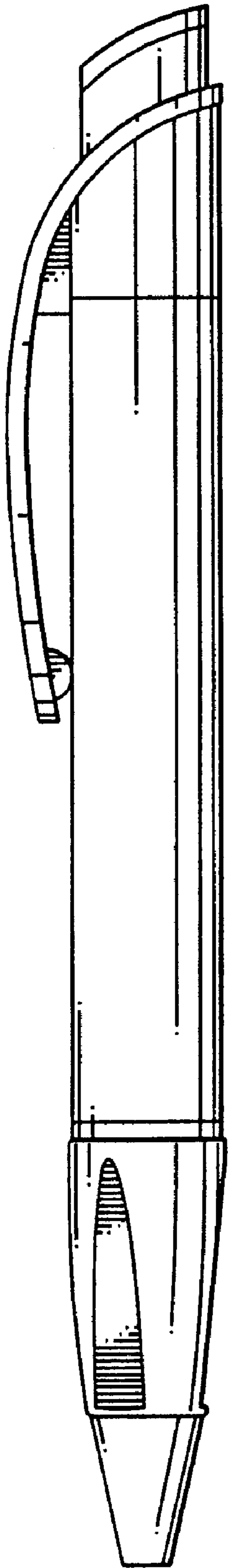


FIG. 2

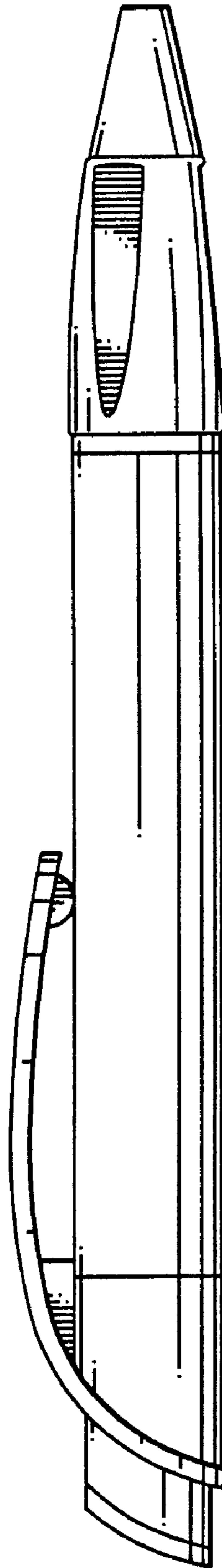


FIG. 3

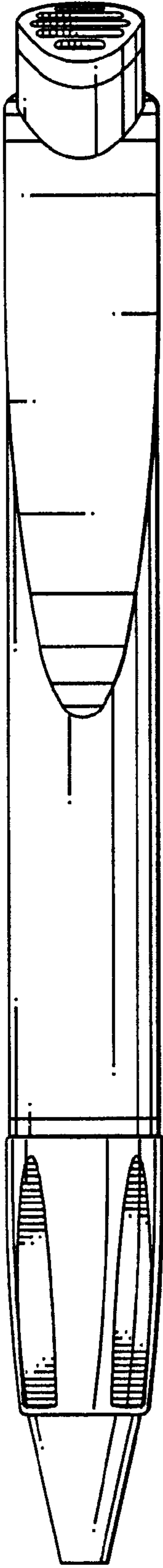


FIG. 4

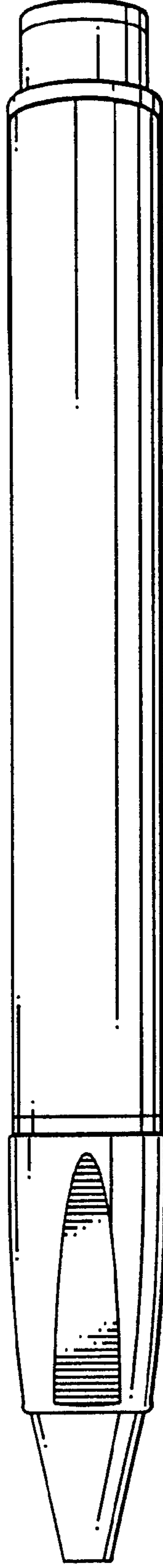


FIG. 5

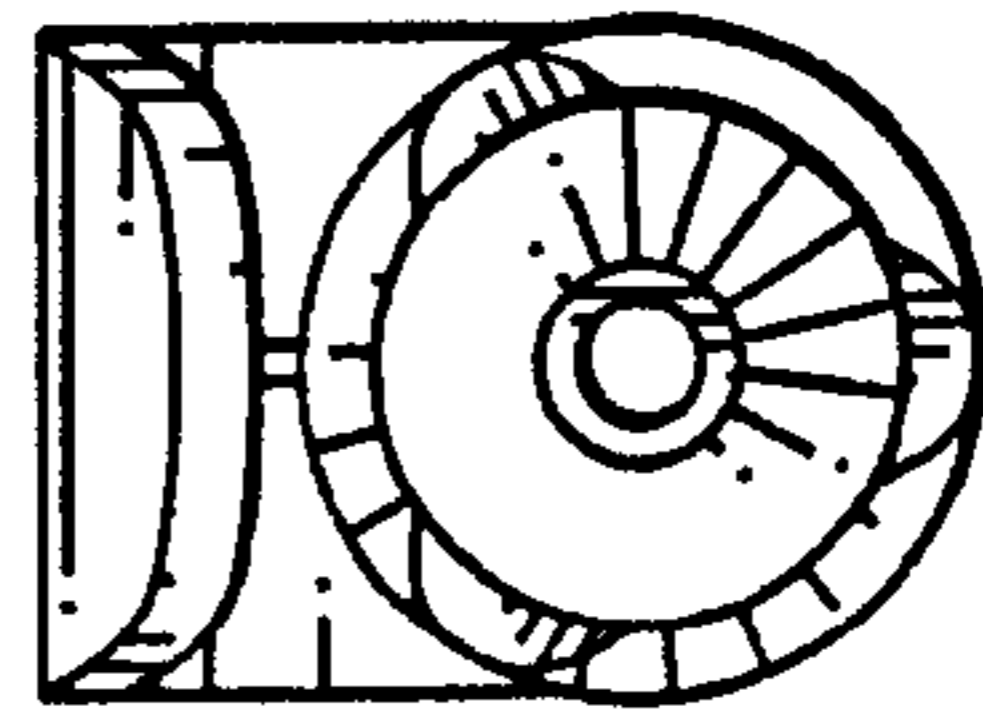


FIG. 6

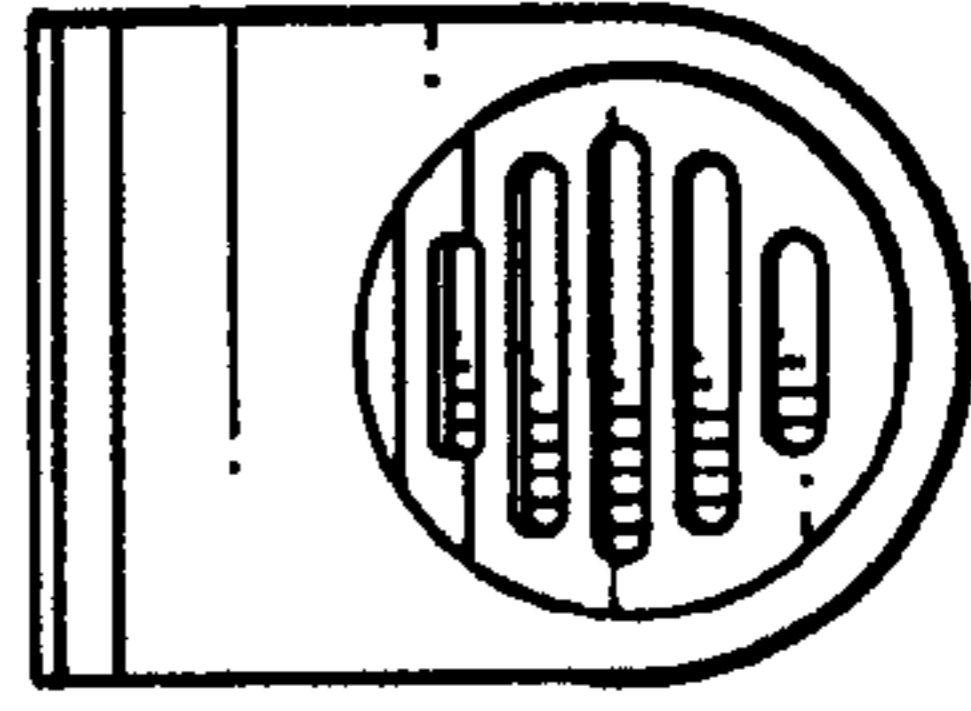


FIG. 7