



US00D441009S

(12) **United States Design Patent**
Hayashi

(10) **Patent No.:** **US D441,009 S**

(45) **Date of Patent:** **** Apr. 24, 2001**

(54) **CHANGEABLE CHARACTER STAMP**

(75) **Inventor:** **Shiro Hayashi, Nagoya (JP)**

(73) **Assignee:** **Shachihata Inc., Nagoya (JP)**

(**) **Term:** **14 Years**

(21) **Appl. No.:** **29/089,447**

(22) **Filed:** **Jun. 15, 1998**

(30) **Foreign Application Priority Data**

Dec. 22, 1997 (JP) 9-79317

(51) **LOC (7) Cl.** **19-02**

(52) **U.S. Cl.** **D18/15**

(58) **Field of Search** D18/14-18; 118/264,
118/268; 101/103, 333, 334, 327, 405,
406, 371-373, 376; D19/70

(56) **References Cited**

U.S. PATENT DOCUMENTS

- D. 101,741 * 10/1936 Klein D19/70
- D. 190,214 * 4/1961 Wester, Sr. D28/88
- D. 261,897 * 11/1981 Bengtsson D18/15
- D. 272,364 * 1/1984 Matsumuro D18/16
- D. 377,660 * 1/1997 Kida et al. D18/15
- 5,014,617 * 5/1991 Lesyk 101/333

FOREIGN PATENT DOCUMENTS

- 768526 8/1989 (JP) .
- 944661 1/1996 (JP) .
- 1004156 2/1998 (JP) .

OTHER PUBLICATIONS

Brochure of ROYAL MARK PRE-INKED STAMPS. No page #, "Inspector Stamps", circled, bottom of page, Dec. 1991.*

* cited by examiner

Primary Examiner—Louis S. Zarfes

Assistant Examiner—Gregory Andoll

(74) *Attorney, Agent, or Firm*—Evenson, McKeown, Edwards & Lenahan, P.L.L.C.

(57) **CLAIM**

The ornamental design for a changeable character stamp, as shown and described.

DESCRIPTION

FIG. 1 is a right front perspective view of a changeable character stamp taken from above;

FIG. 2 is a right front perspective view of the changeable character stamp taken from under;

FIG. 3 is a front view of the changeable character stamp;

FIG. 4 is a rear view of the changeable character stamp;

FIG. 5 is a left side view of the changeable character stamp;

FIG. 6 is a right side view of the changeable character stamp;

FIG. 7 is a top plan view of the changeable character stamp;

FIG. 8 is a bottom view of the changeable character stamp;

FIG. 9 is a front view of the changeable character stamp in which a cover cylinder is raised so as to be able to change stamping characters, the rear view being a mirror image thereof; and,

FIG. 10 is a right side view of the changeable character stamp in which a cover cylinder is raised so as to be able to change stamping characters therein, the left side view being a mirror image thereof.

1 Claim, 3 Drawing Sheets

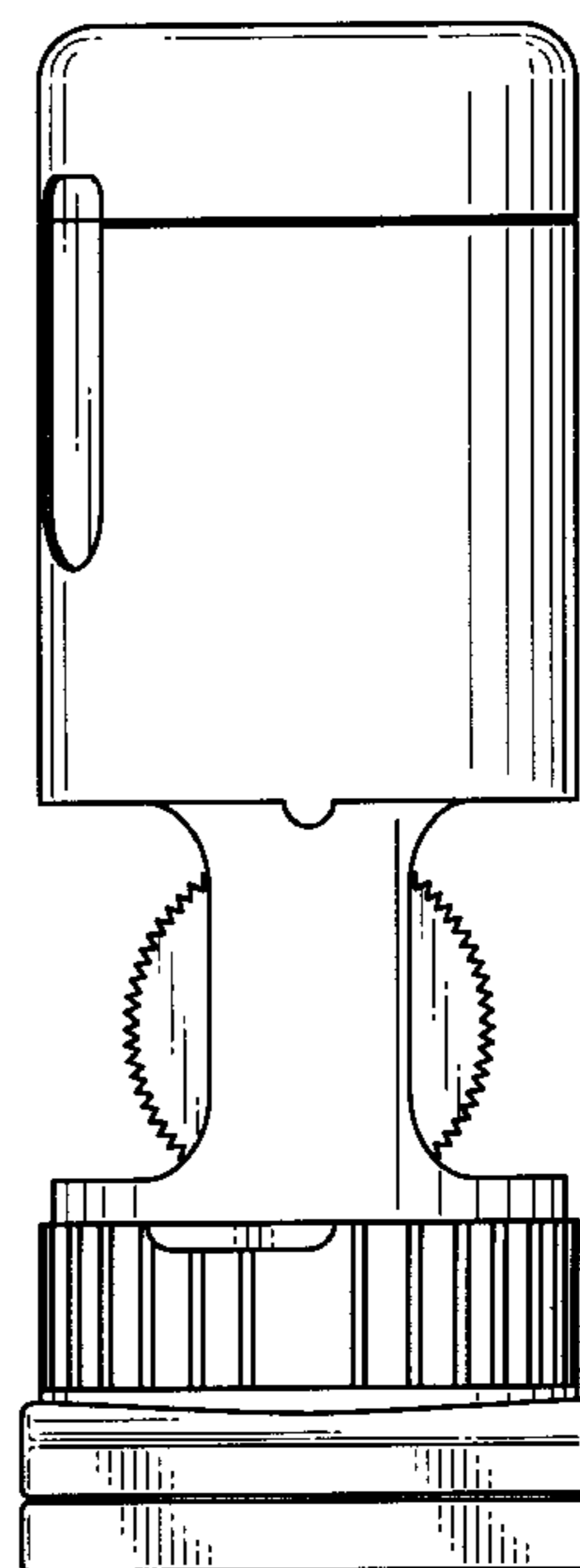
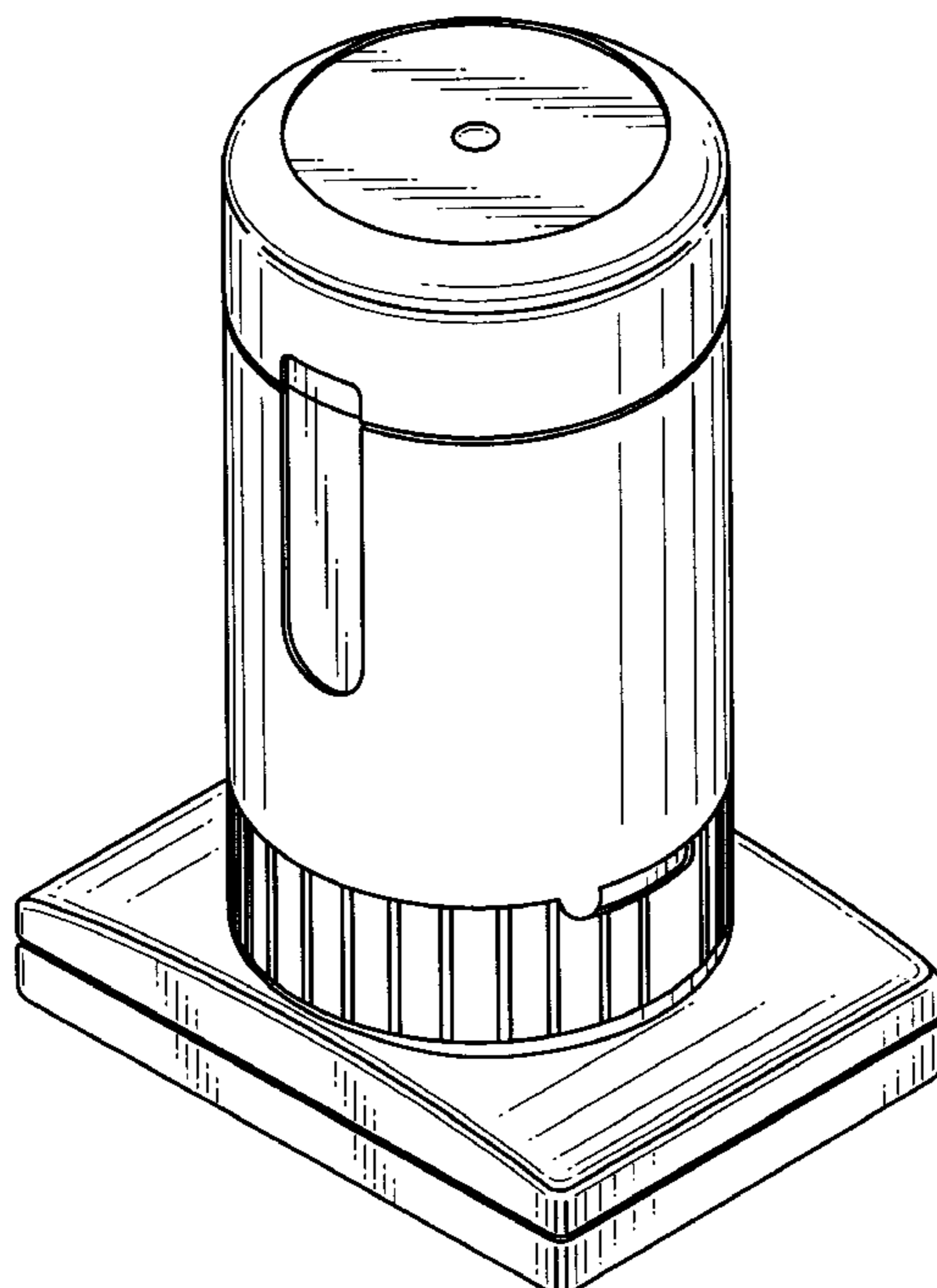


FIG. 1

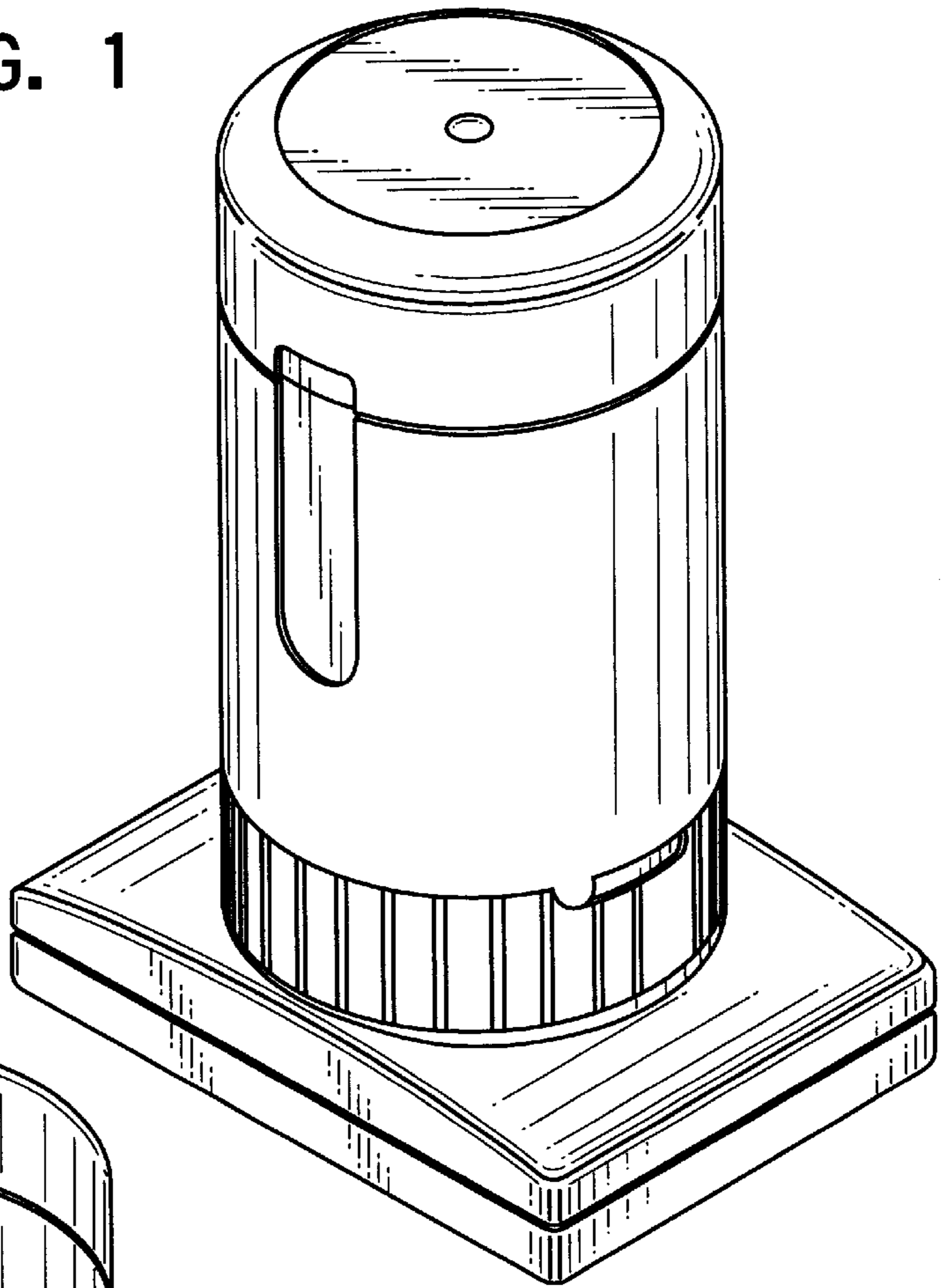


FIG. 2

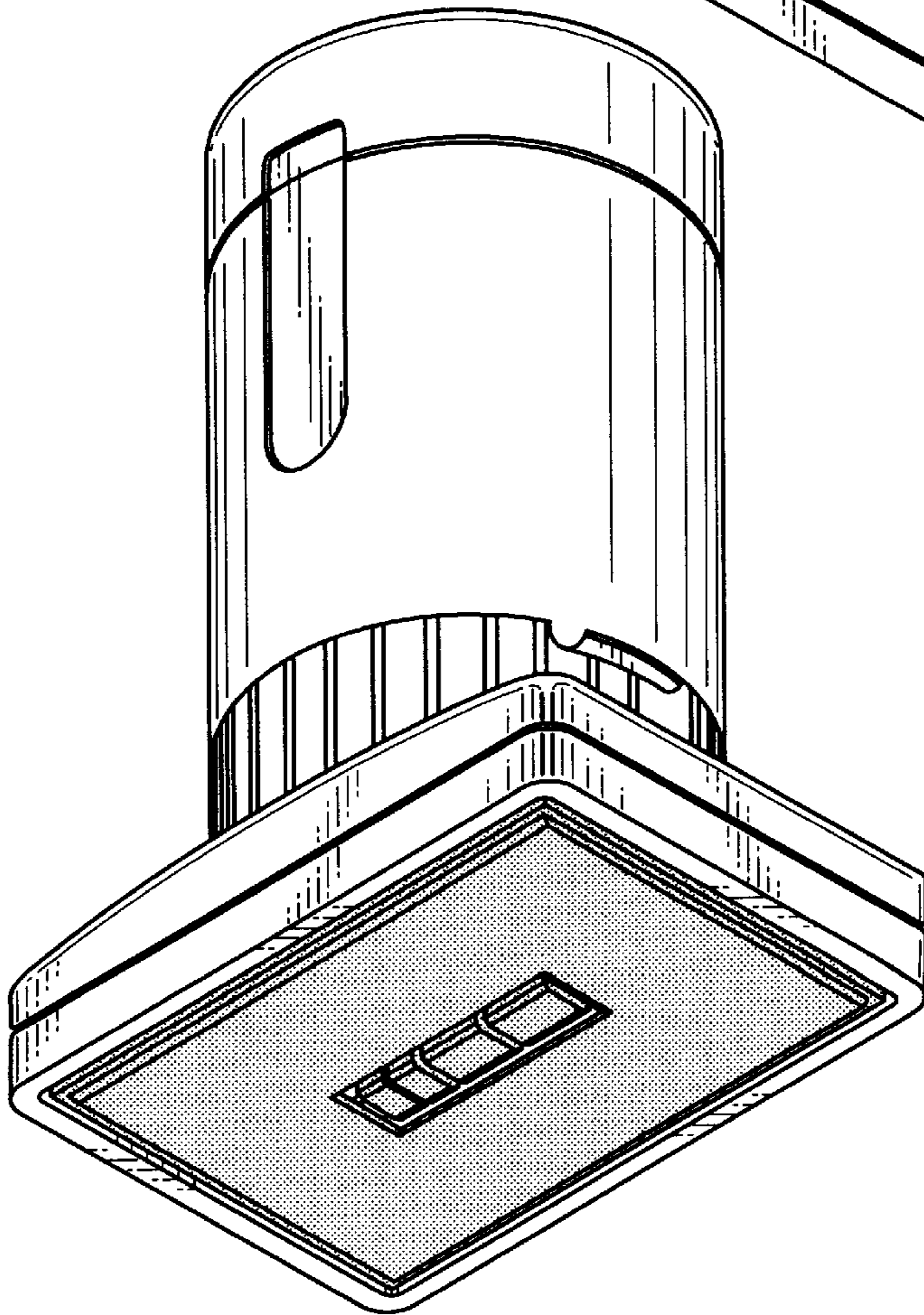


FIG. 3

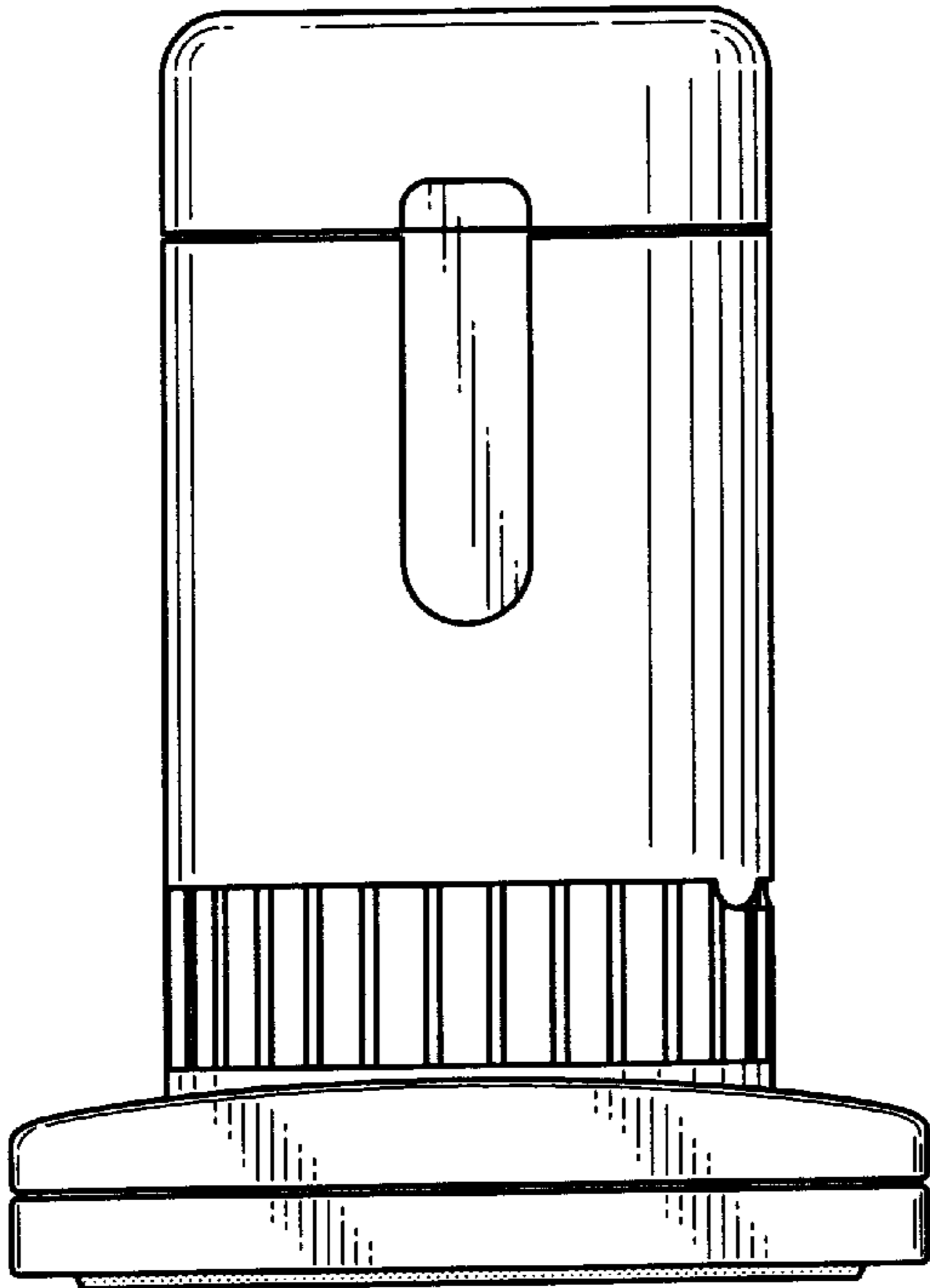


FIG. 4

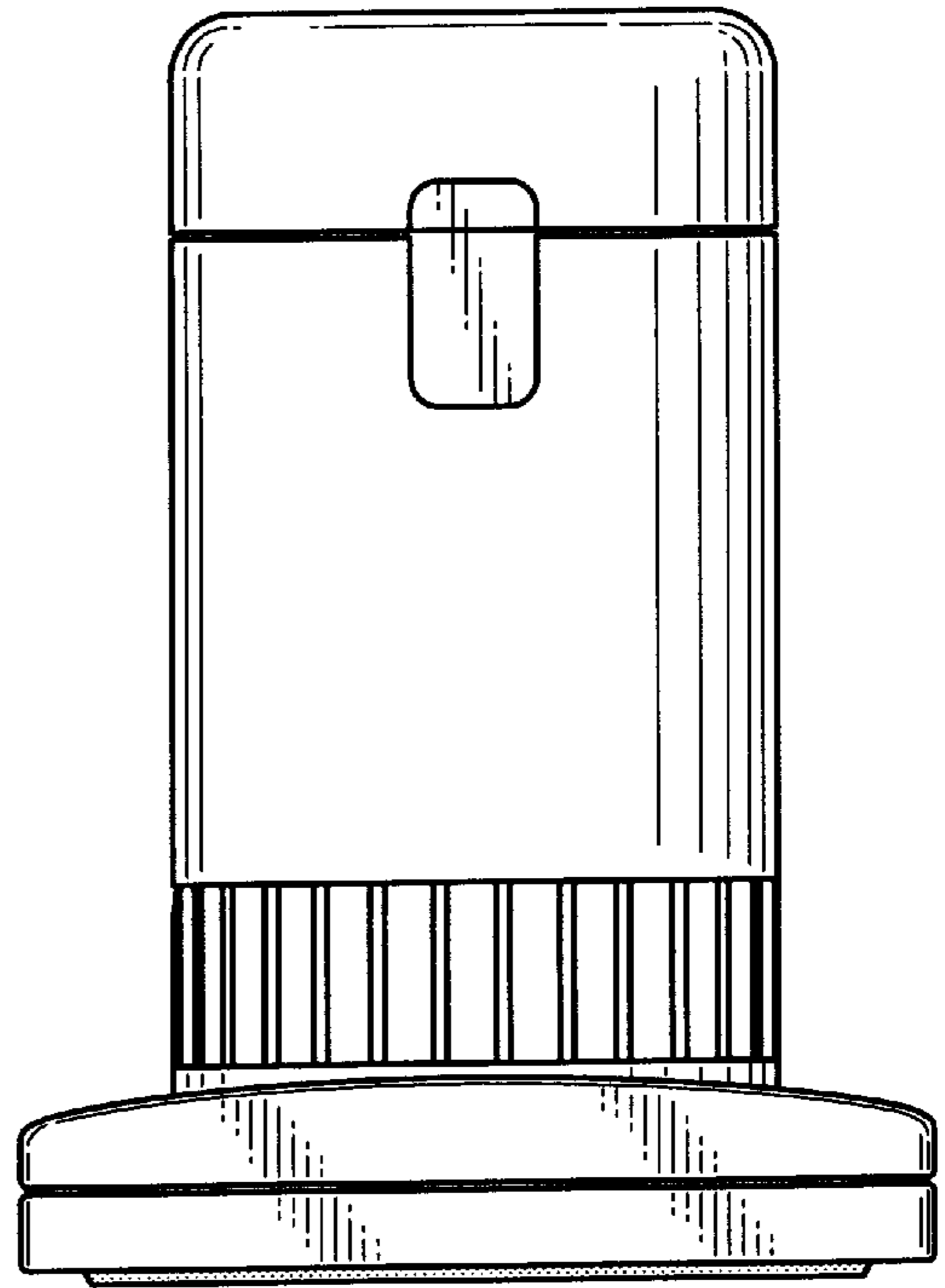


FIG. 5

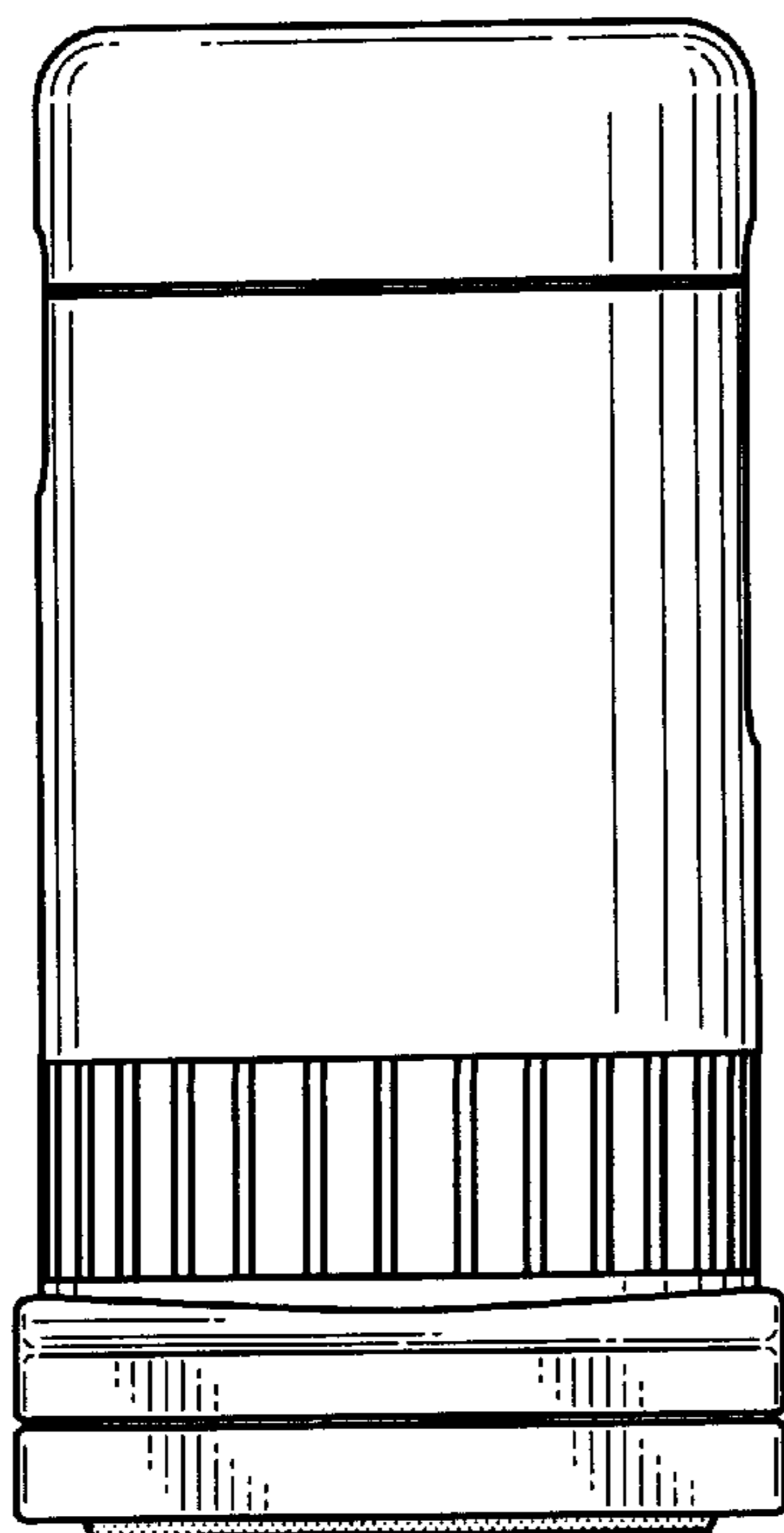


FIG. 6

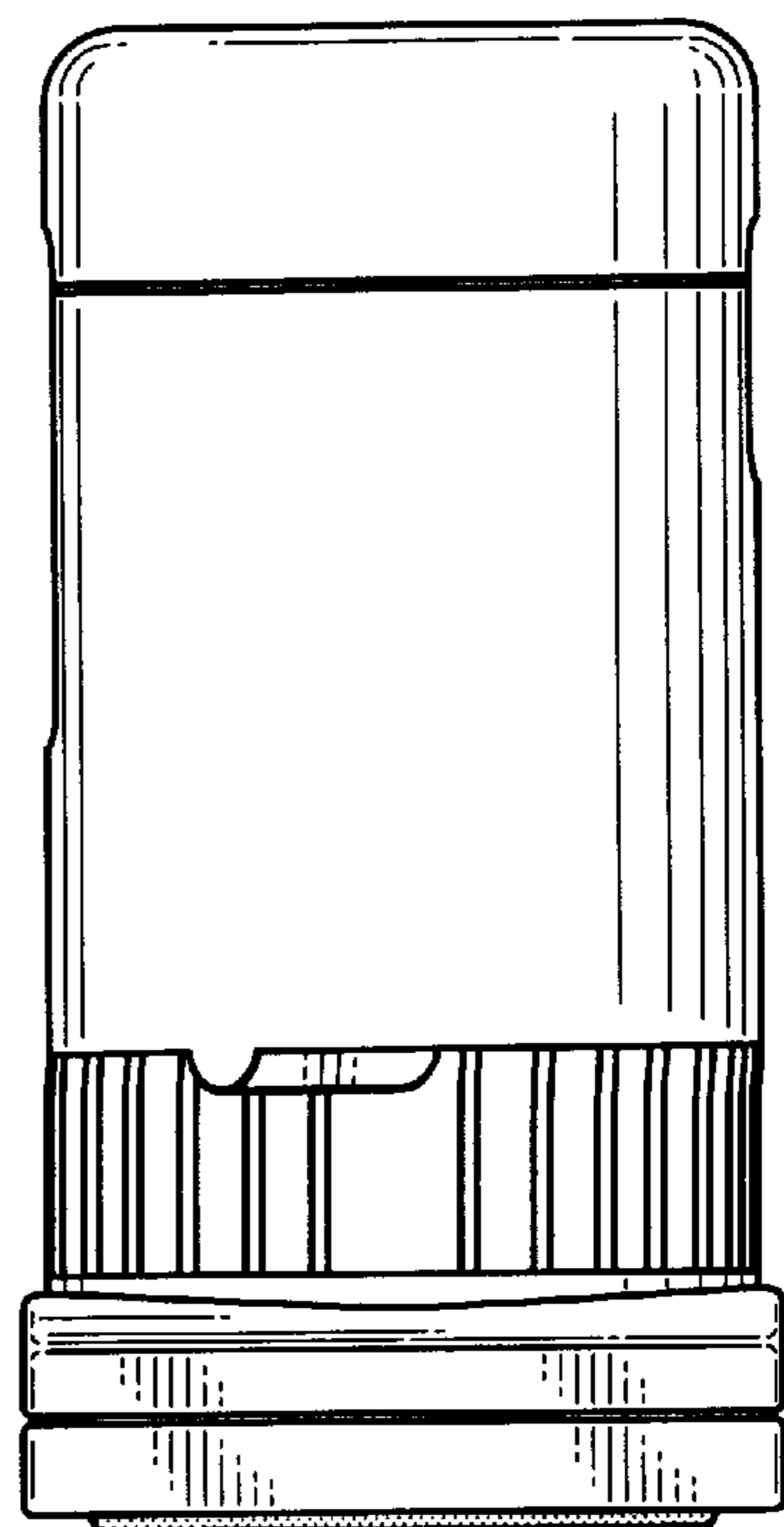


FIG. 7

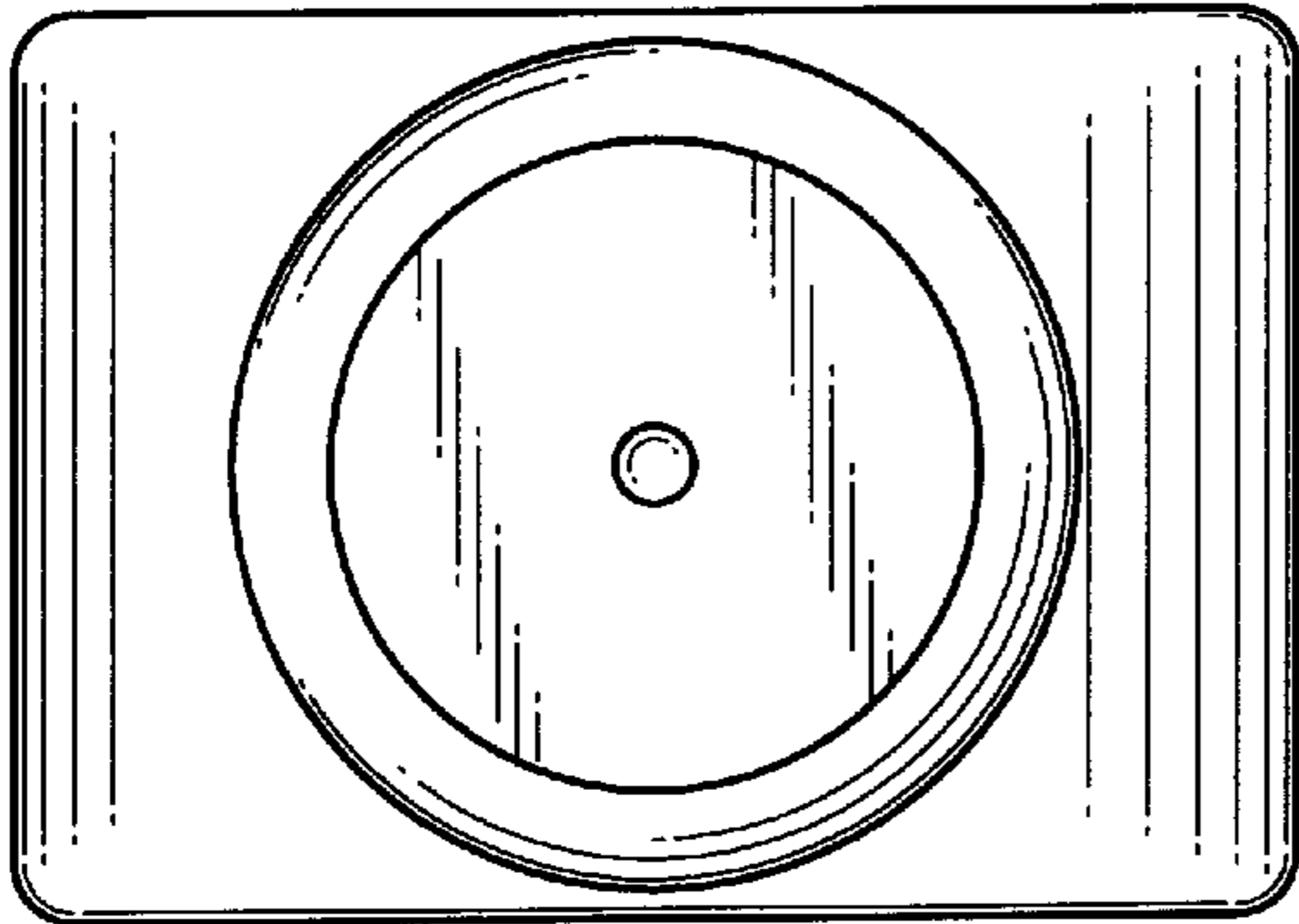


FIG. 8

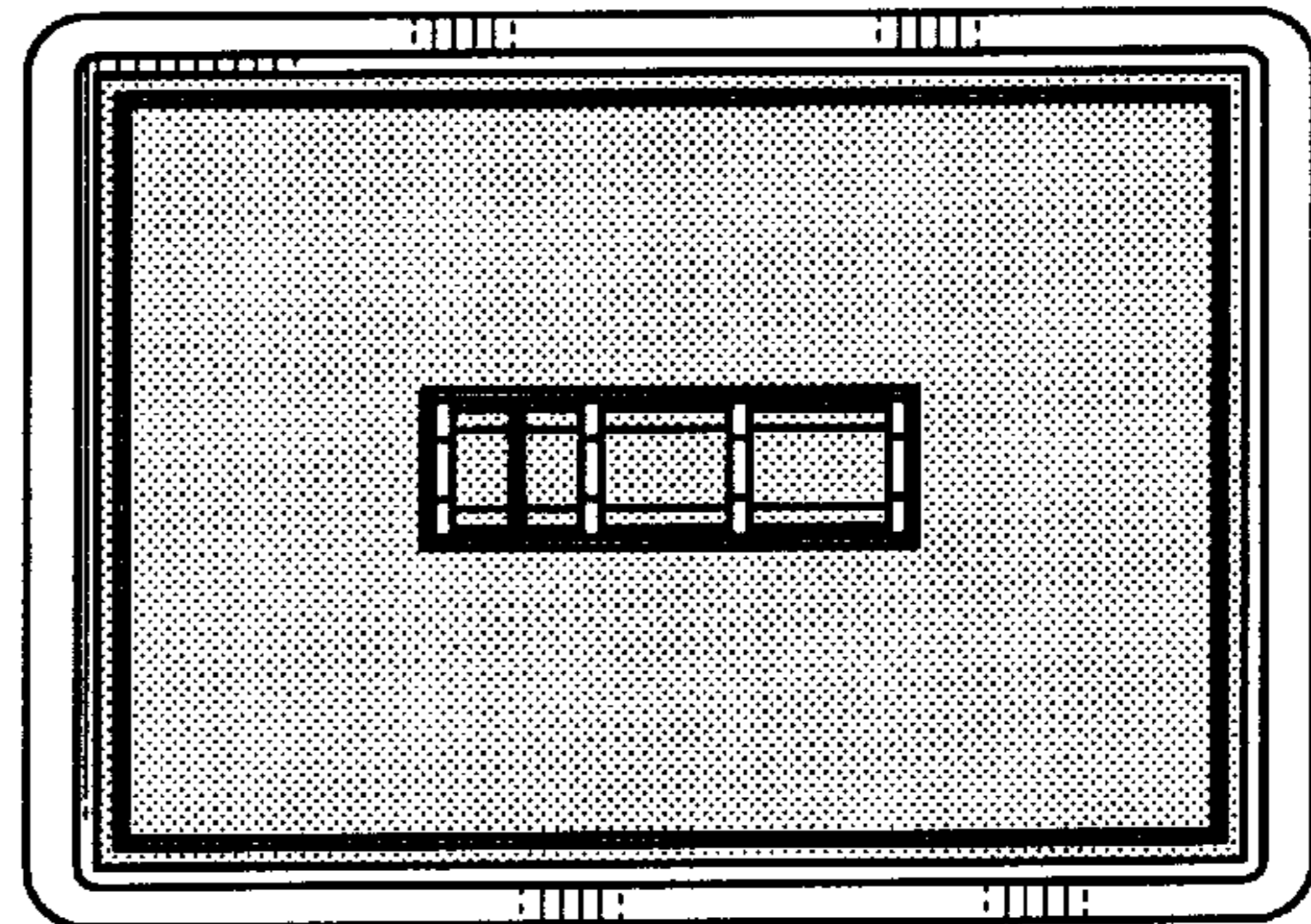


FIG. 9

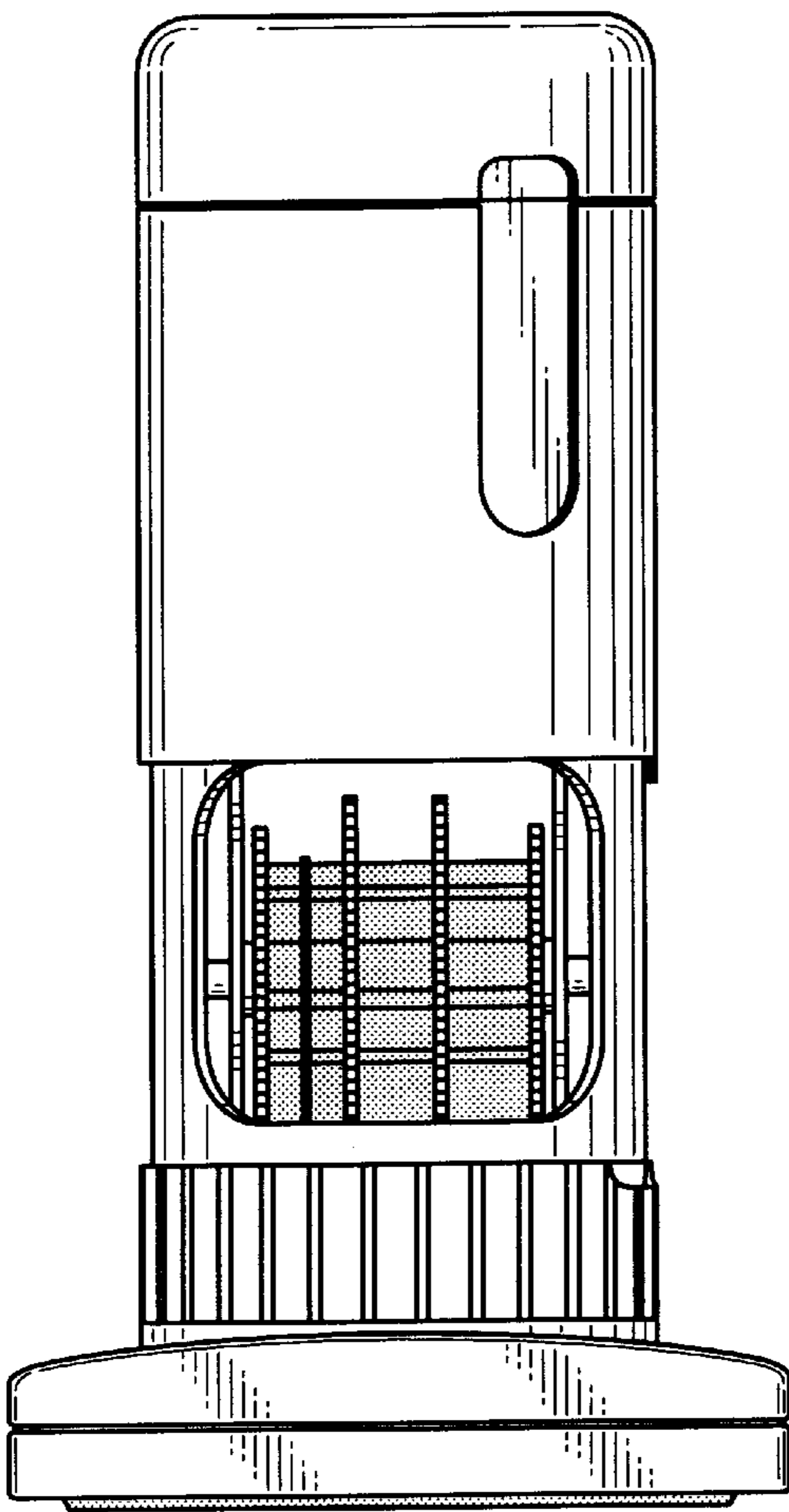


FIG. 10

