



US00D441006S

(12) **United States Design Patent**
Gregory

(10) **Patent No.:** **US D441,006 S**

(45) **Date of Patent:** **** Apr. 24, 2001**

(54) **ADJUSTABLE STRING TREE**

(76) **Inventor:** **Maestro Alex Gregory**, 6032 Colfax Ave., North Hollywood, CA (US) 91606

(**) **Term:** **14 Years**

(21) **Appl. No.:** **29/122,909**

(22) **Filed:** **May 5, 2000**

(51) **LOC (7) Cl.** **17-03**

(52) **U.S. Cl.** **D17/21; D17/20**

(58) **Field of Search** **D17/20, 21, 99; 84/297 R, 298, 299, 312 R, 313, 314 R**

(56) **References Cited**

U.S. PATENT DOCUMENTS

D. 280,107	*	8/1985	Tanaka et al.	D17/21
4,171,661	*	10/1979	Rose	84/313
5,373,769	*	12/1994	Sherman	84/313
6,130,373	*	10/2000	Hall	84/312 R

* cited by examiner

Primary Examiner—Adir Aronovich
(74) *Attorney, Agent, or Firm*—Cislo & Thomas LLP

(57) **CLAIM**

The ornamental design for an adjustable string tree, as shown and described herein.

DESCRIPTION

FIG. 1. is a top perspective view of My adjustable string tree;

FIG. 2. Is a back view thereof

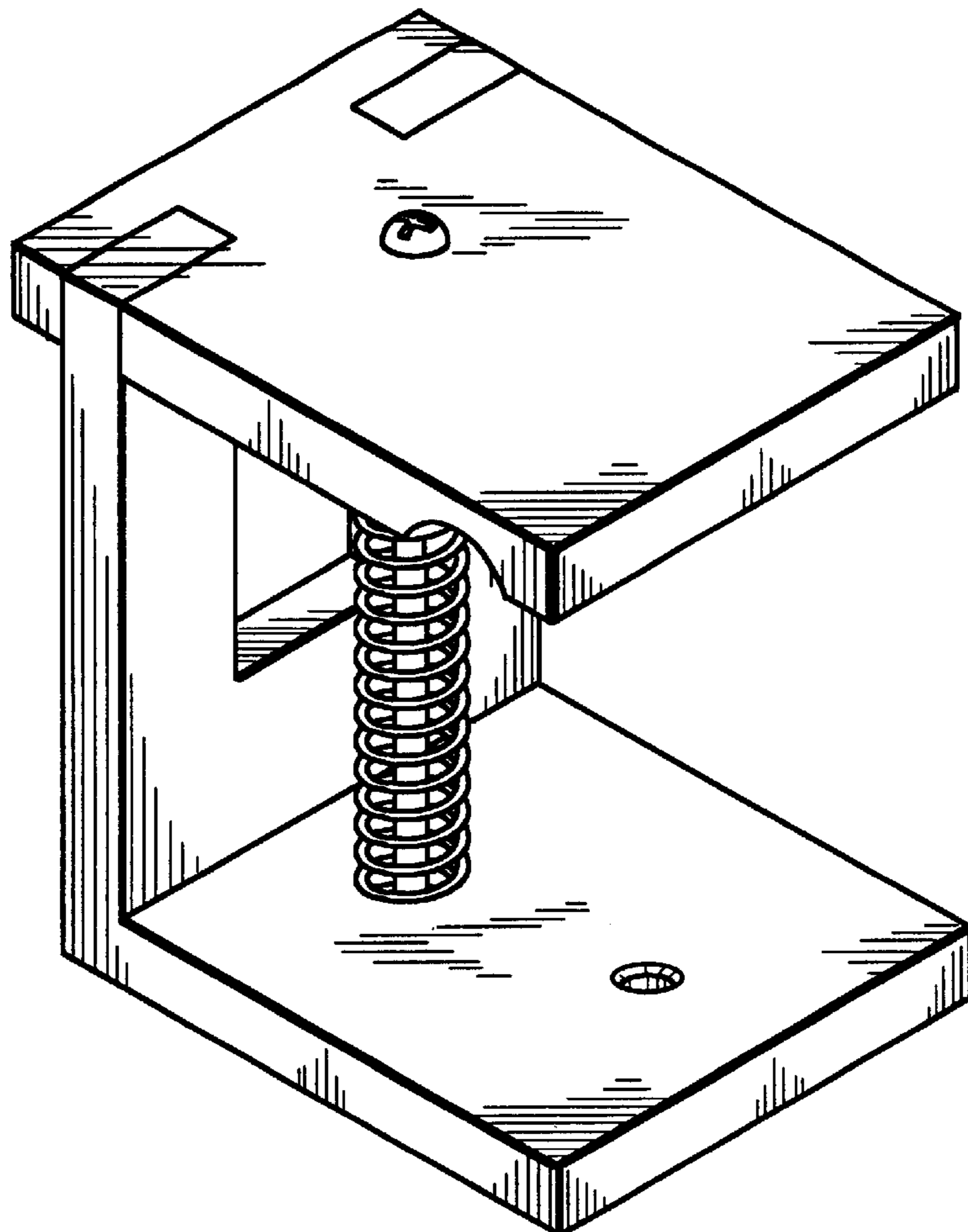
FIG. 3. Is a front view thereof;

FIG. 4. Is a top view thereof;

FIG. 5. Is a right side elevational view thereof, with the left side elevational view being a substantial mirror image thereof; and,

FIG. 6. Is a bottom view thereof.

1 Claim, 2 Drawing Sheets



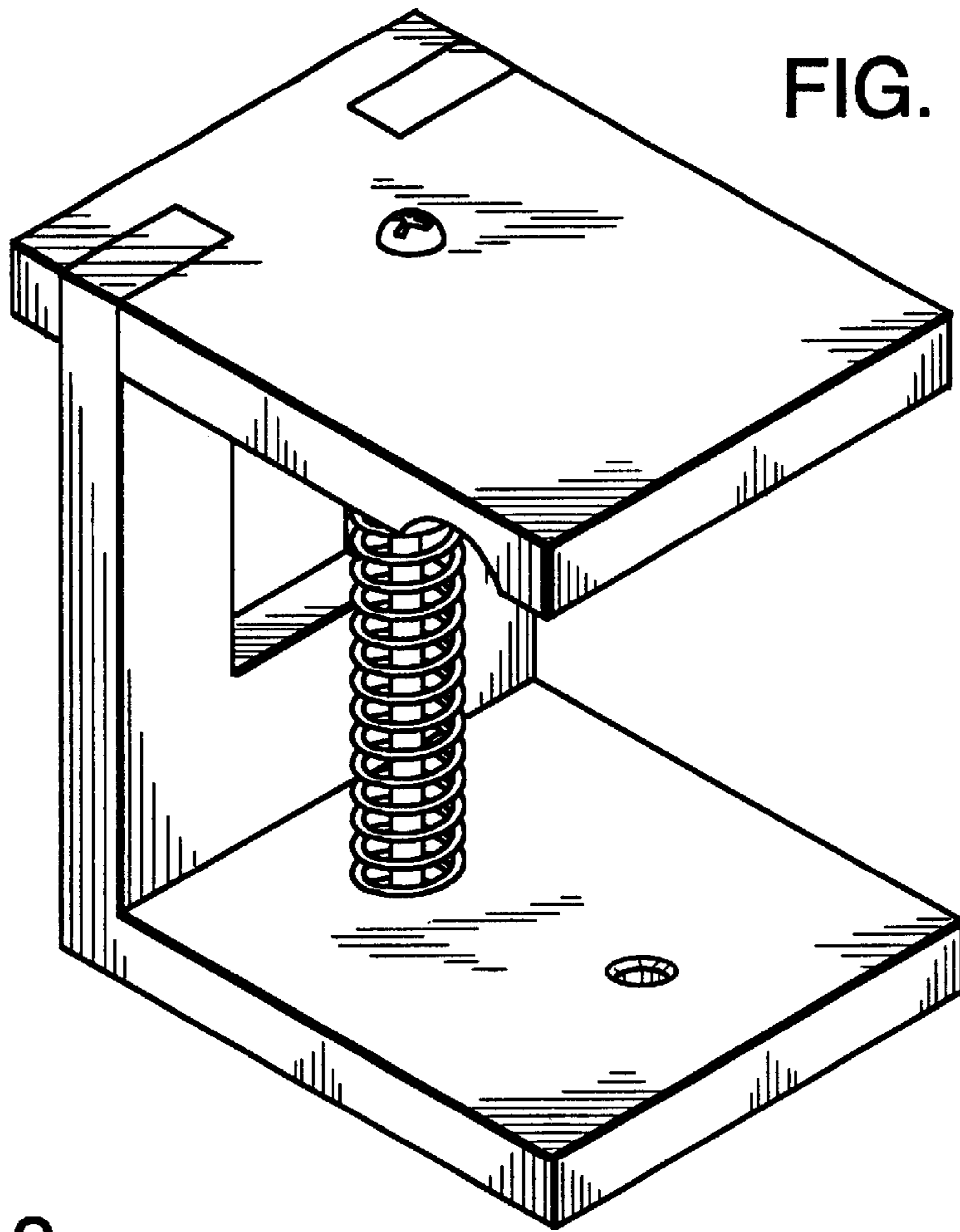


FIG. 1.

FIG. 2.

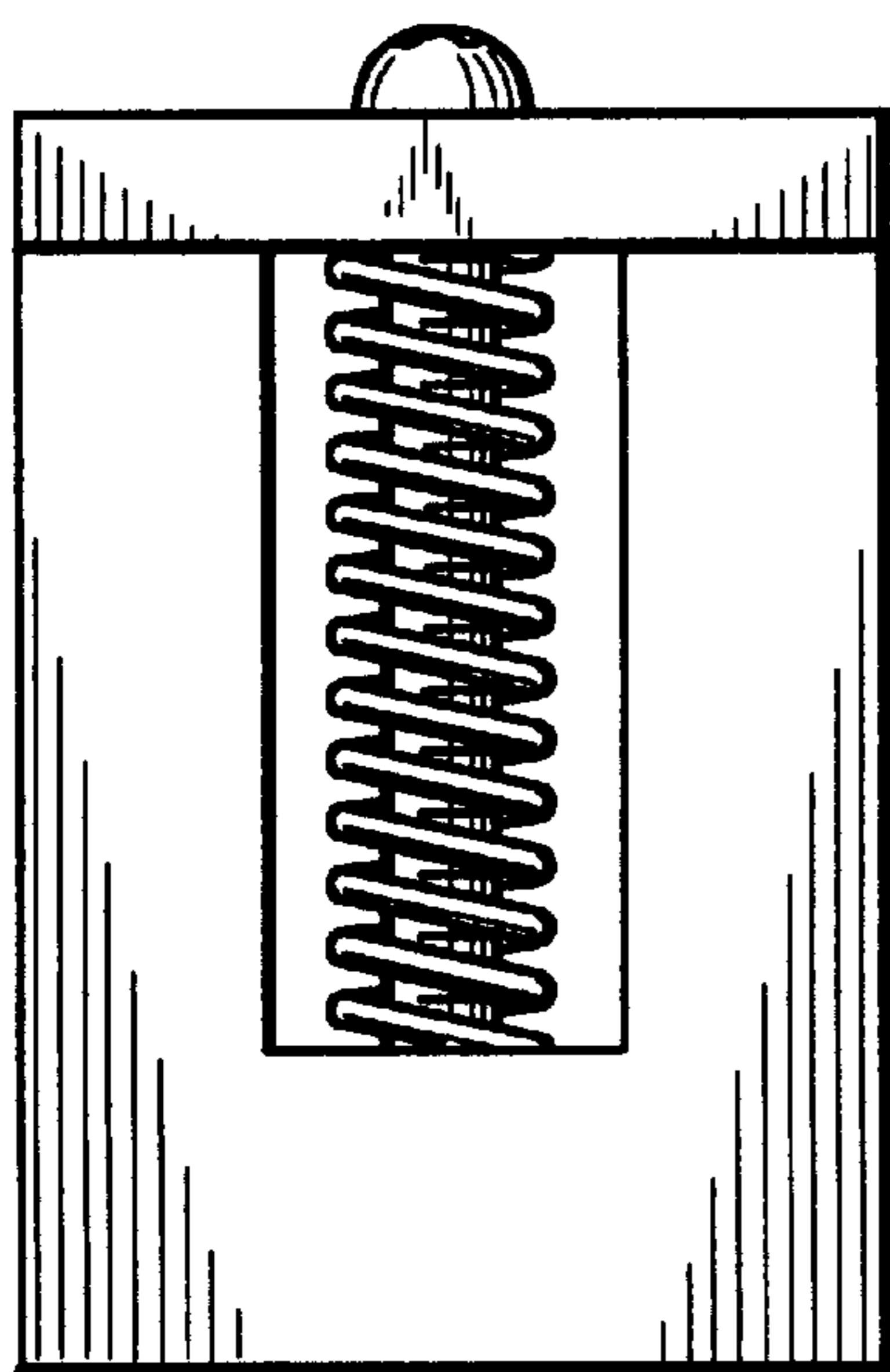
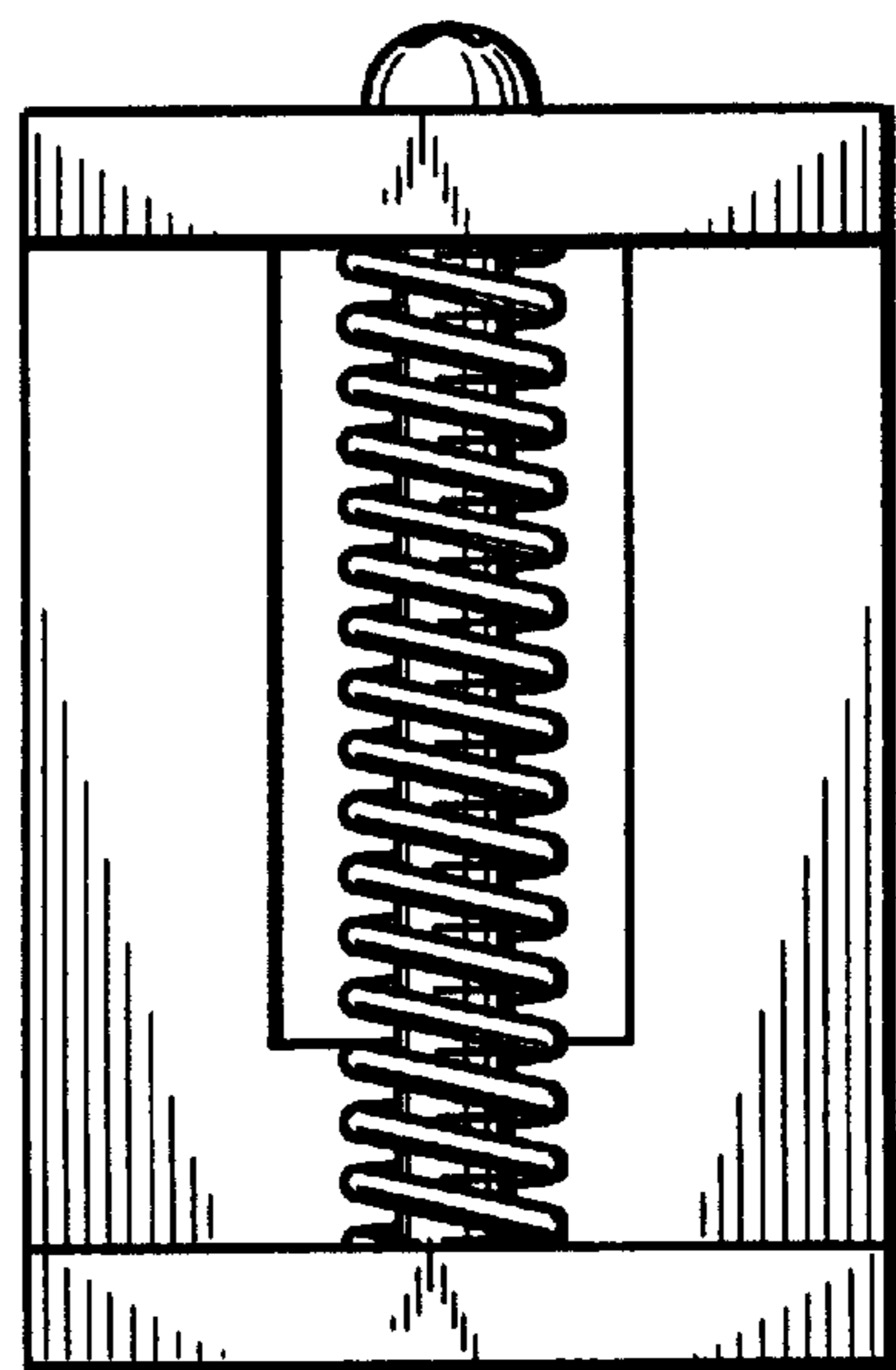


FIG. 3.



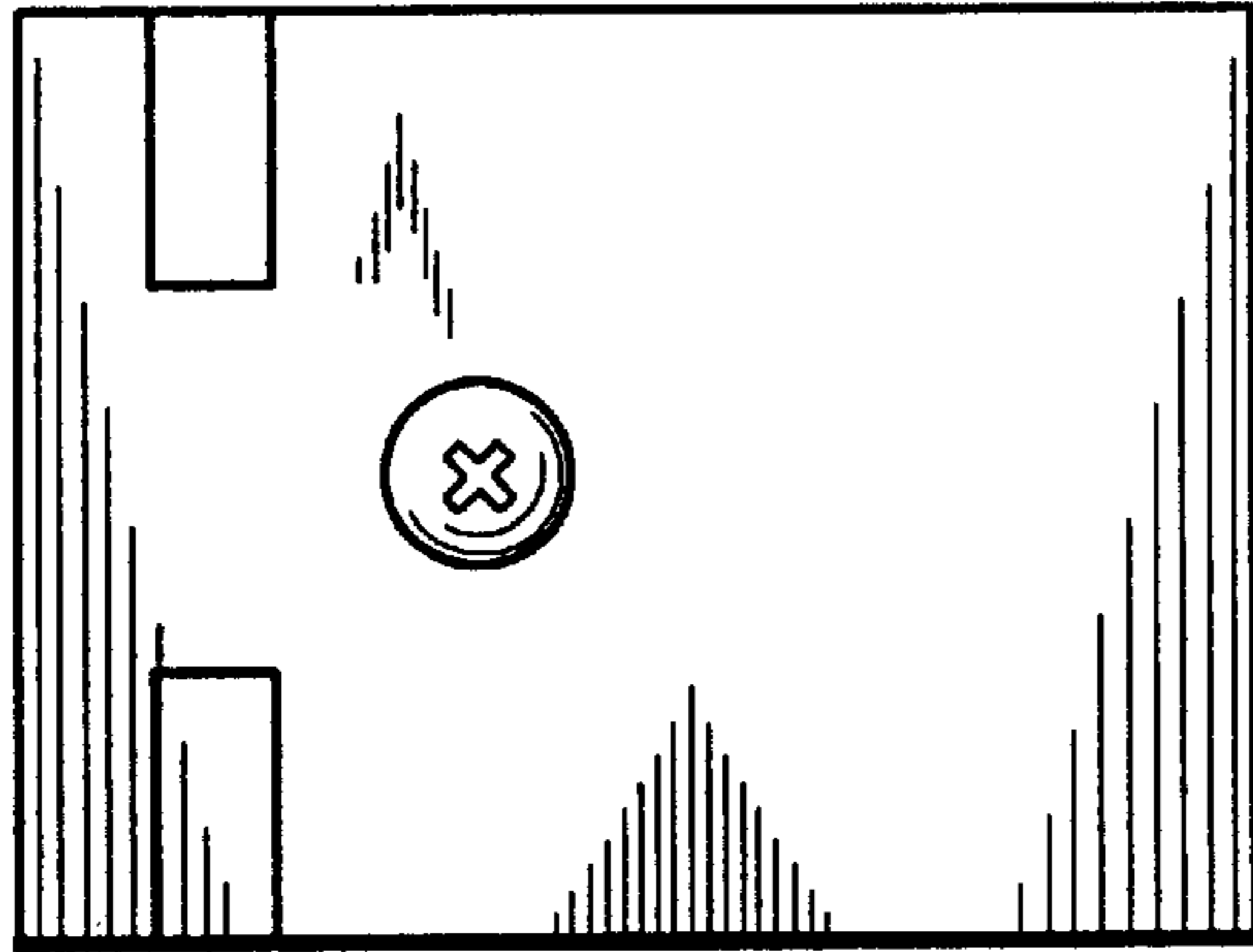


FIG. 4.

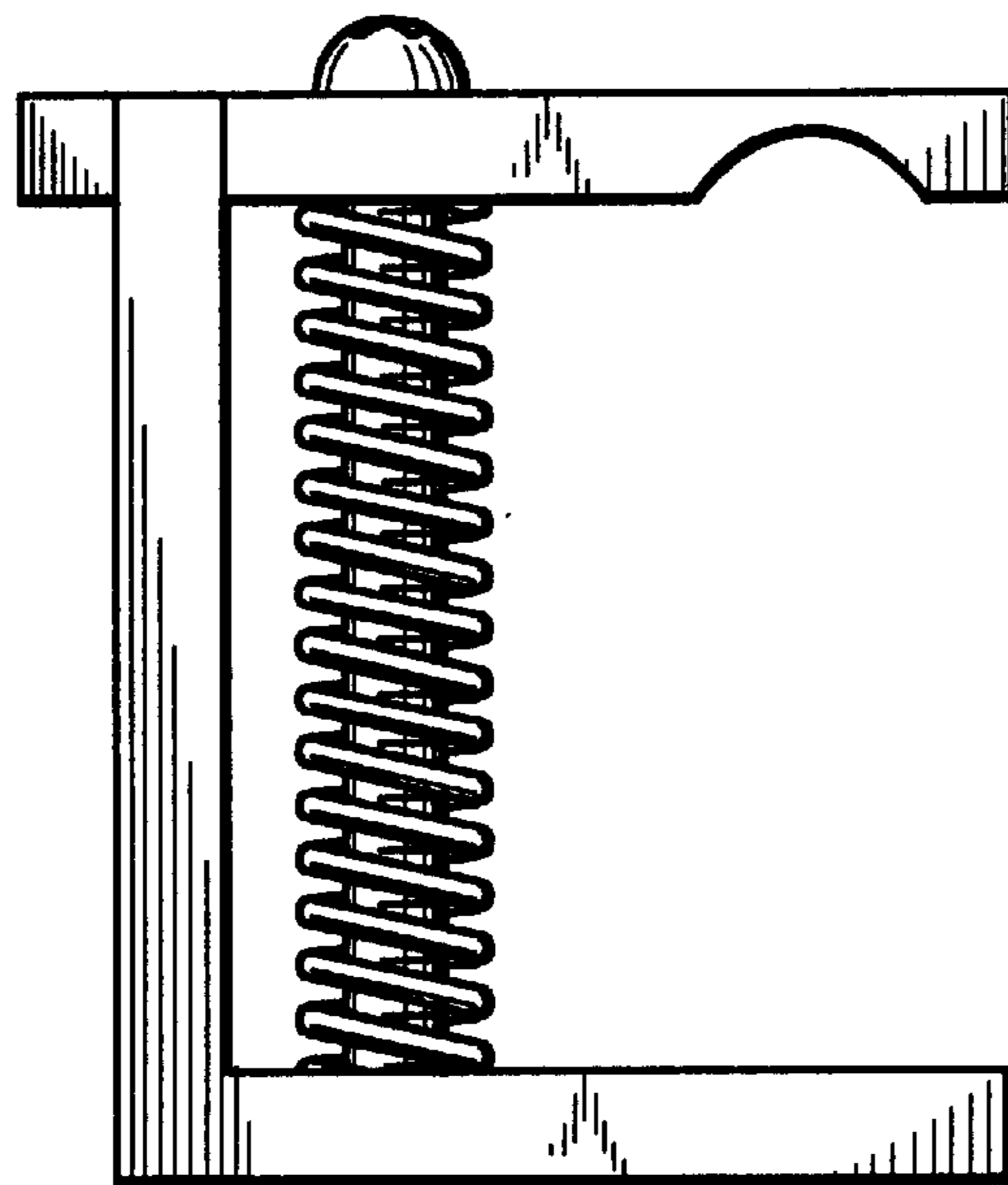


FIG. 5.

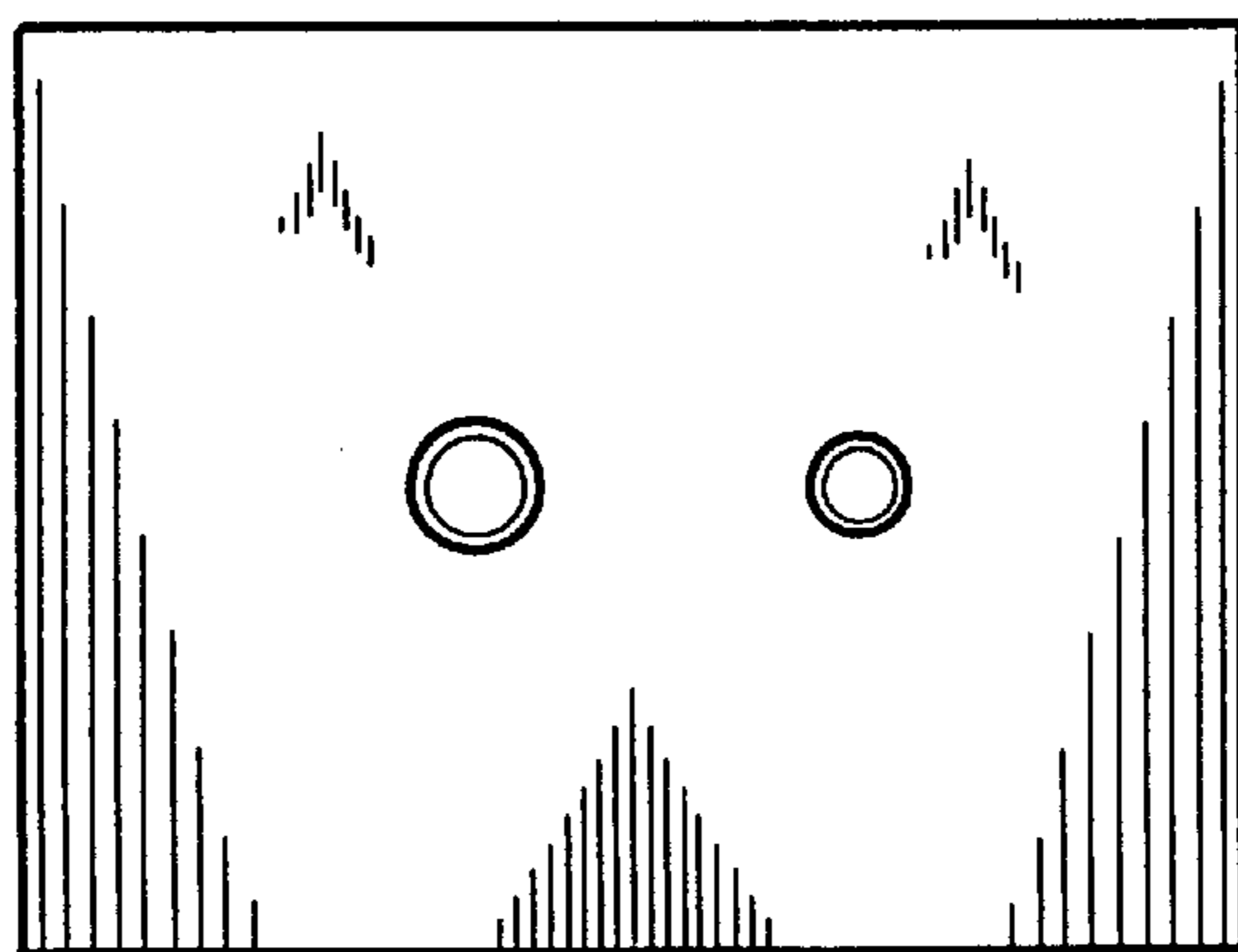


FIG. 6.