



US00D441003S

(12) **United States Design Patent**
Chan

(10) **Patent No.:** **US D441,003 S**

(45) **Date of Patent:** **** Apr. 24, 2001**

(54) **VOICE SYNTHESIZER**

4,995,294 * 2/1991 Kashio et al. 84/DIG. 7

(75) Inventor: **Ho Man Herman Chan, Tsing Yi (CN)**

OTHER PUBLICATIONS

(73) Assignee: **Potex Toys Manufacturer Ltd., Hong Kong (CN)**

HFD Catalog, Dec. 1985 p. 72 (Yamaha's PPS-150 electronic keyboard).*

(**) Term: **14 Years**

* cited by examiner

(21) Appl. No.: **29/123,109**

Primary Examiner—Adir Aronovich
(74) *Attorney, Agent, or Firm*—Alix, Yale & Ristas, LLP

(22) Filed: **May 10, 2000**

(57) **CLAIM**

(30) **Foreign Application Priority Data**

The ornamental design for a voice synthesizer, as shown and described.

Nov. 19, 1999 (HK) 9911578

DESCRIPTION

(51) **LOC (7) Cl.** **17-01**

FIG. 1 is a perspective view of the voice synthesizer showing my new design;

(52) **U.S. Cl.** **D17/1**

FIG. 2 is a top view of the voice synthesizer of FIG. 1;

(58) **Field of Search** D17/1, 2, 5, 6, D17/7, 9; 84/174-177, 423 R, 428, 644, 670, 719, 744, DIG. 7

FIG. 3 is a front view of the voice synthesizer of FIG. 1;

FIG. 4 is a left side view of the voice synthesizer of FIG. 1;

(56) **References Cited**

FIG. 5 is a right side view of the voice synthesizer of FIG. 1;

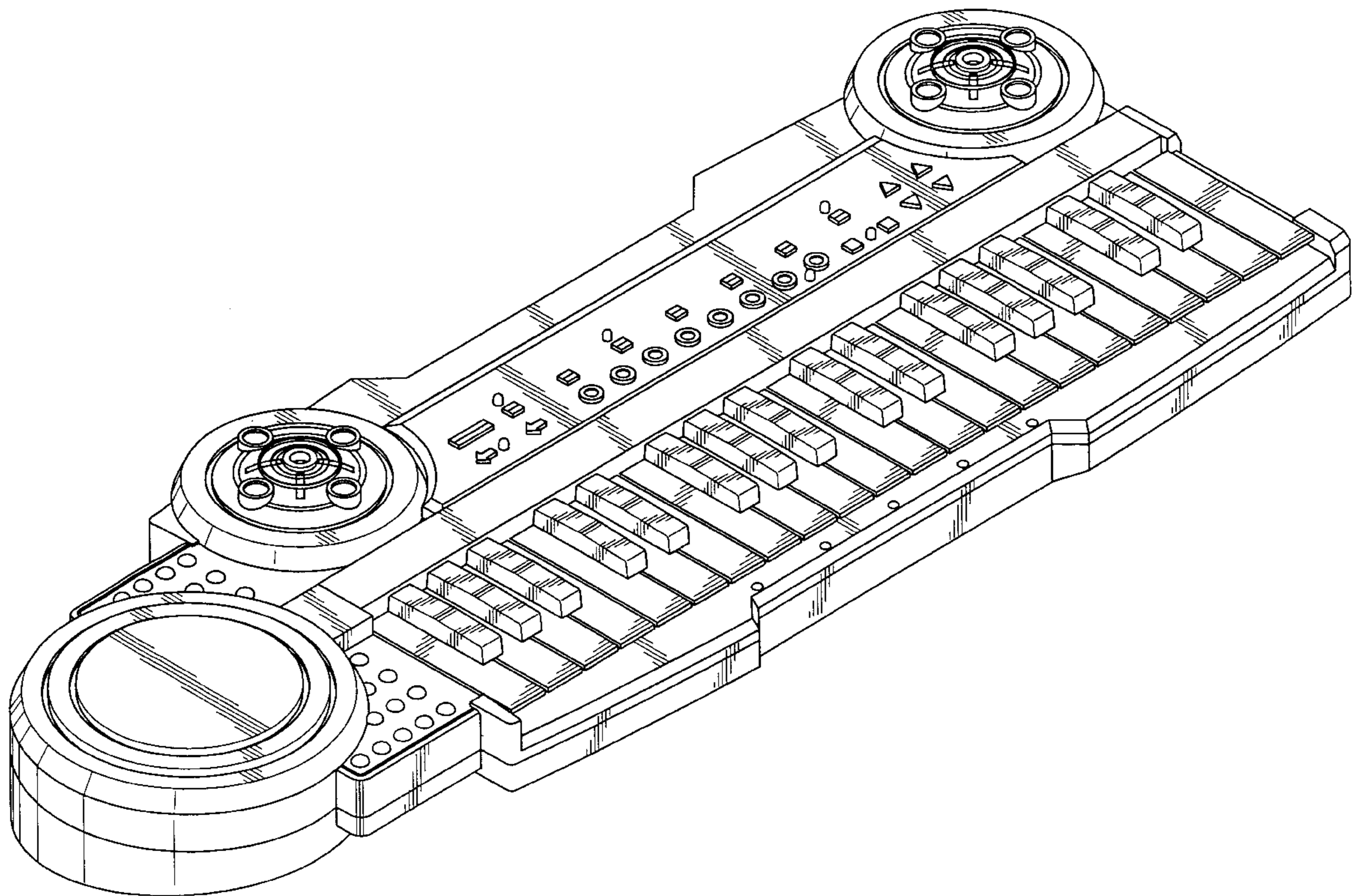
U.S. PATENT DOCUMENTS

FIG. 6 is a bottom plan view of the voice synthesizer of FIG. 1; and,

- D. 325,213 * 4/1992 Mizushima D17/1
- D. 346,617 * 5/1994 Oki D17/1
- D. 404,057 * 1/1999 Miura D17/1
- D. 415,784 * 10/1999 Nagayama D17/1

FIG. 7 is a rear view of the voice synthesizer of FIG. 1.

1 Claim, 4 Drawing Sheets



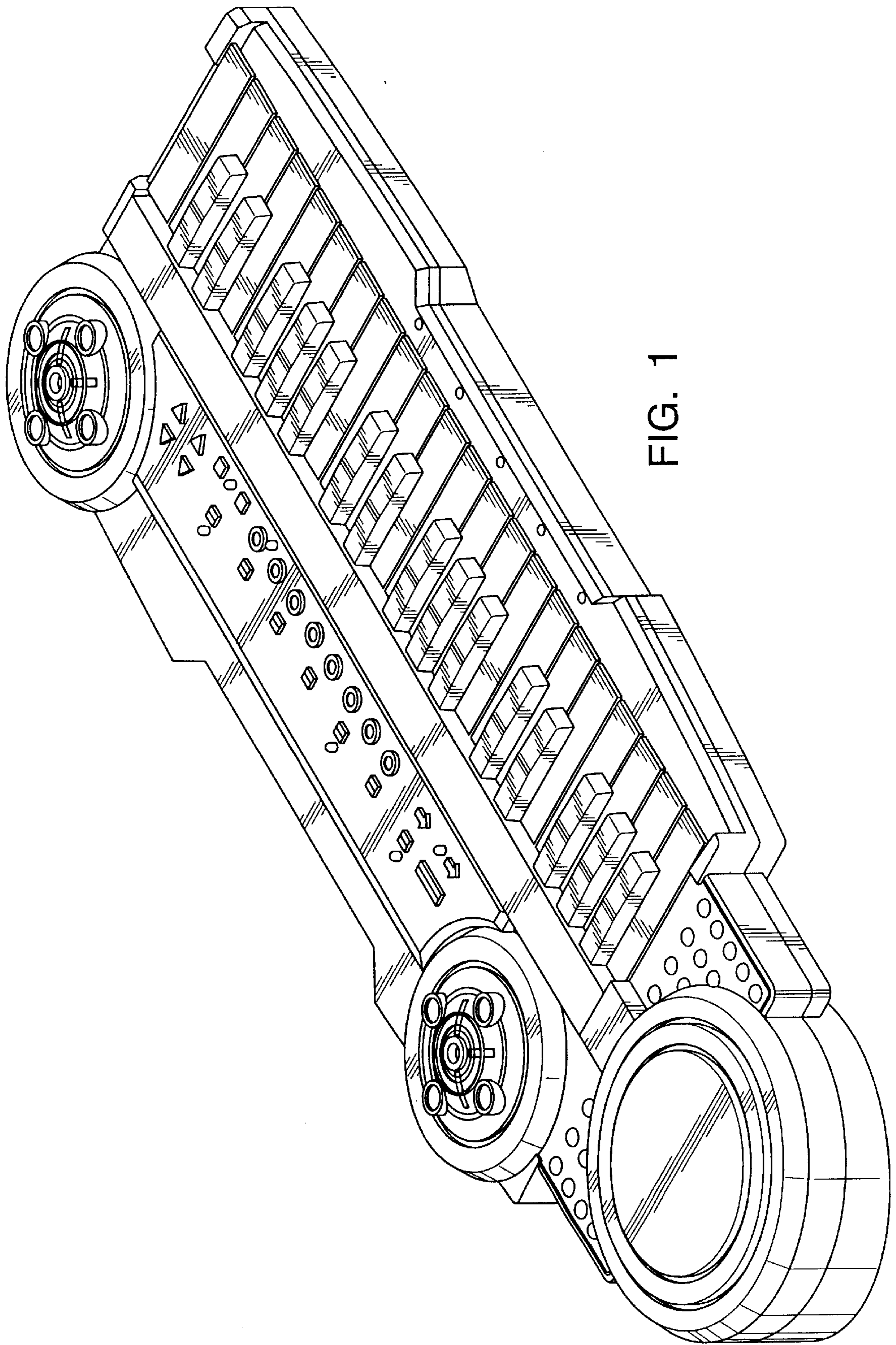


FIG. 1

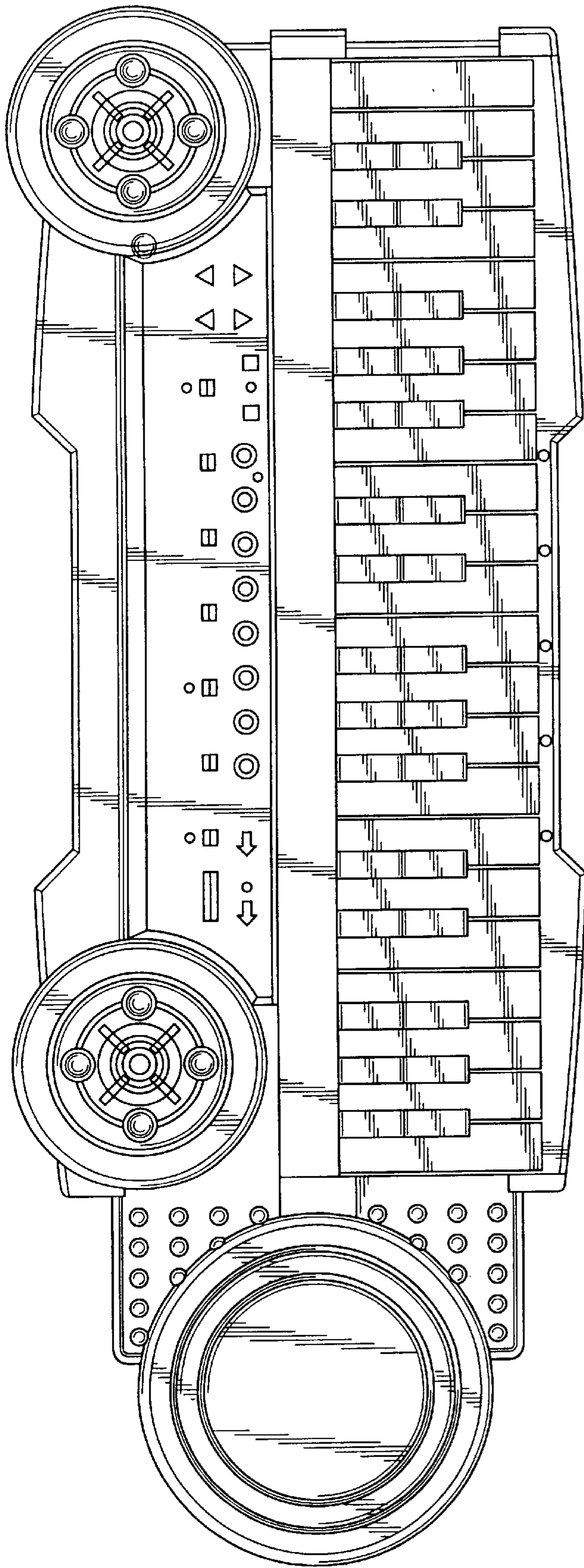


FIG. 2

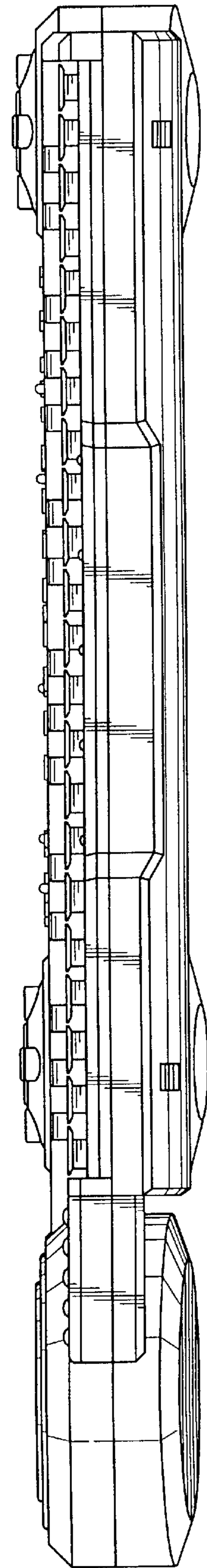


FIG. 3

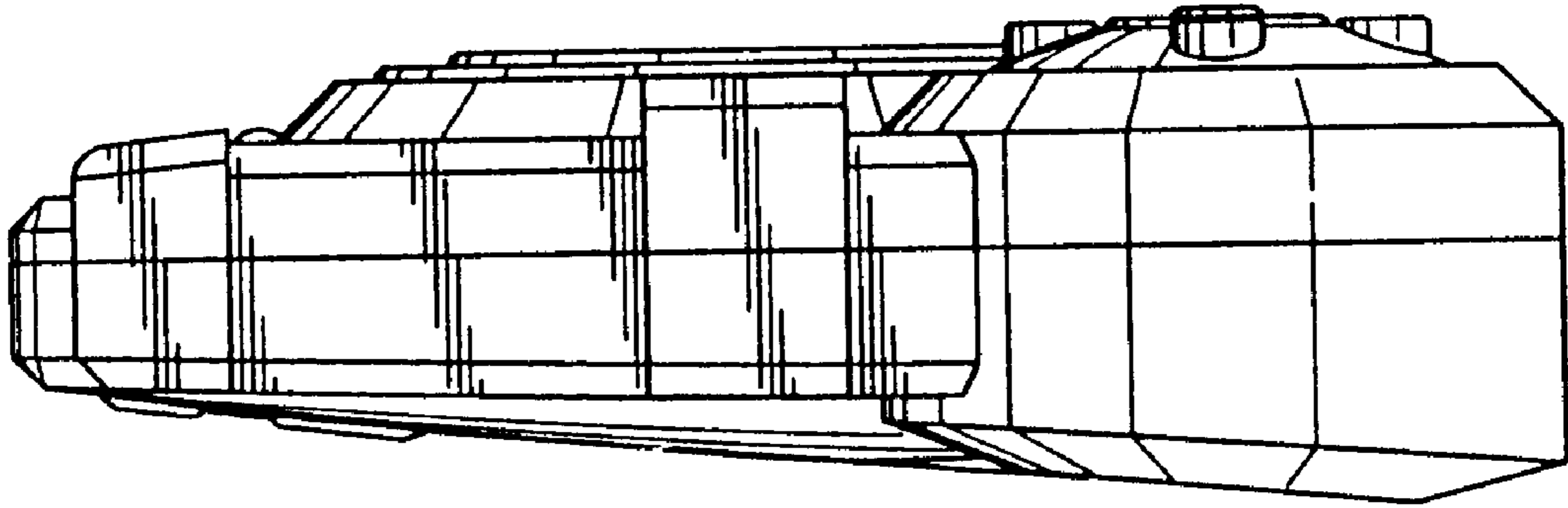


FIG. 5

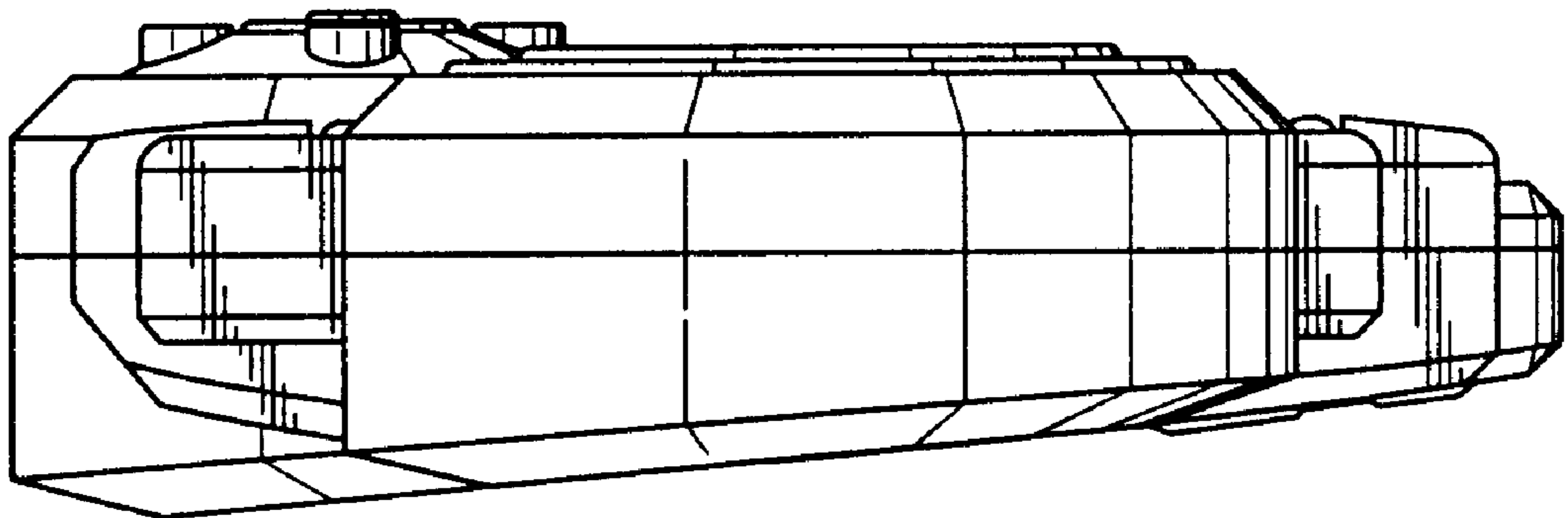


FIG. 4

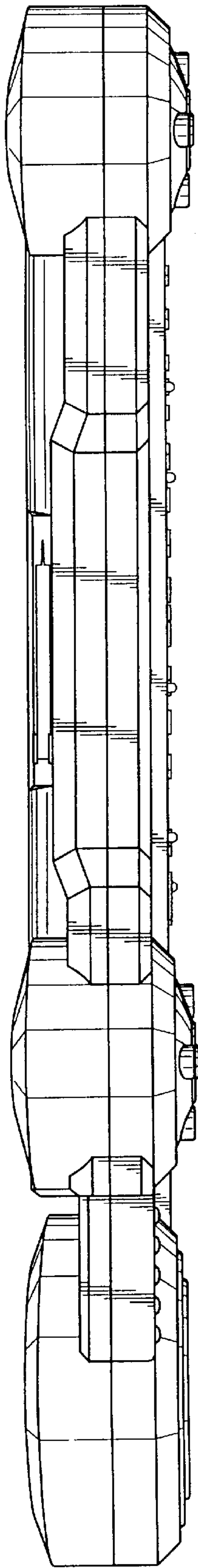


FIG. 7

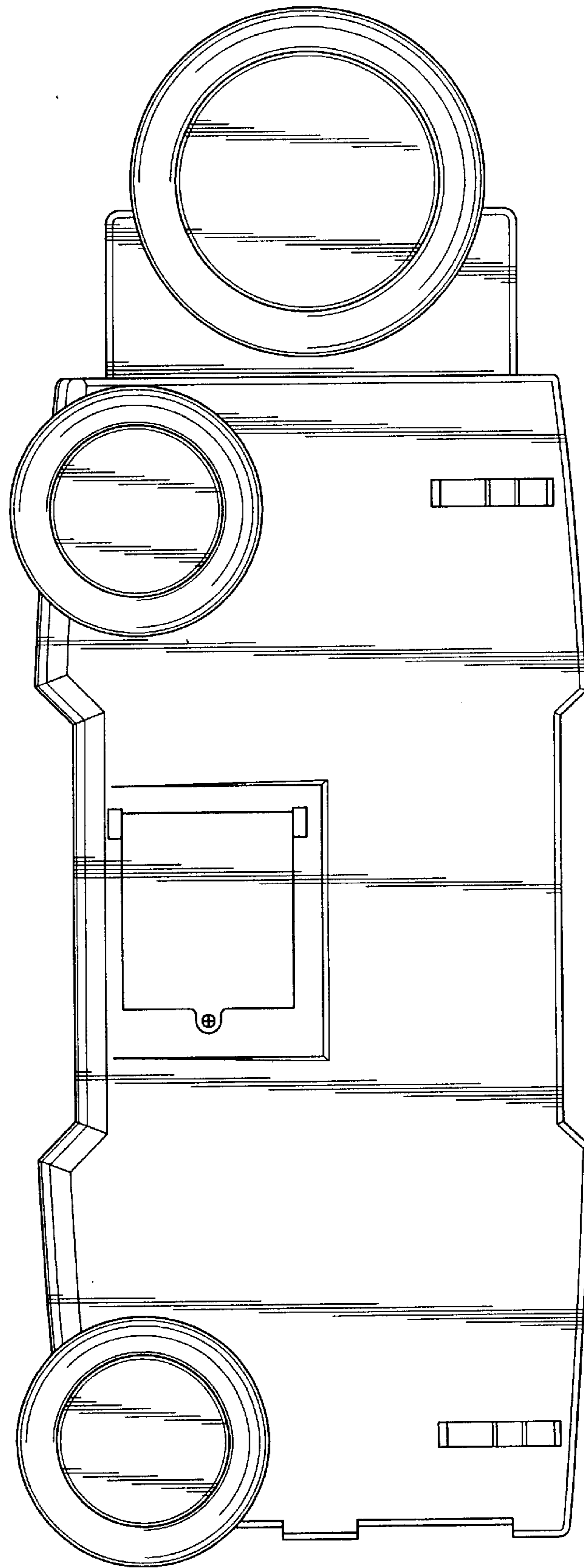


FIG. 6