



US00D441001S

(12) **United States Design Patent**
Naito

(10) **Patent No.:** **US D441,001 S**

(45) **Date of Patent:** **** Apr. 24, 2001**

(54) **CAMERA**

(75) Inventor: **Yoshitaka Naito, Ome (JP)**

(73) Assignee: **Olympus Optical Co., Ltd., Tokyo (JP)**

(**) Term: **14 Years**

(21) Appl. No.: **29/126,800**

(22) Filed: **Jul. 24, 2000**

(30) **Foreign Application Priority Data**

Jan. 26, 2000 (JP) 12-004357

(51) **LOC (7) Cl.** **16-01**

(52) **U.S. Cl.** **D16/218; D16/202**

(58) **Field of Search** **D16/200-206,**
D16/208, 209, 217, 218; 348/373-376;
358/906, 909.1; 396/535-541

(56) **References Cited**

U.S. PATENT DOCUMENTS

D. 407,098 * 3/1999 Goto et al. D16/202

D. 424,084 * 5/2000 Senda D16/202
D. 424,085 * 5/2000 Naito D16/202
D. 425,091 * 5/2000 Konno et al. D16/202
D. 430,187 * 8/2000 Naito D16/218
5,875,034 * 2/1999 Shintani et al. 358/909.1

* cited by examiner

Primary Examiner—Adir Aronovich

(74) *Attorney, Agent, or Firm*—Hogan & Hartson, LLP.

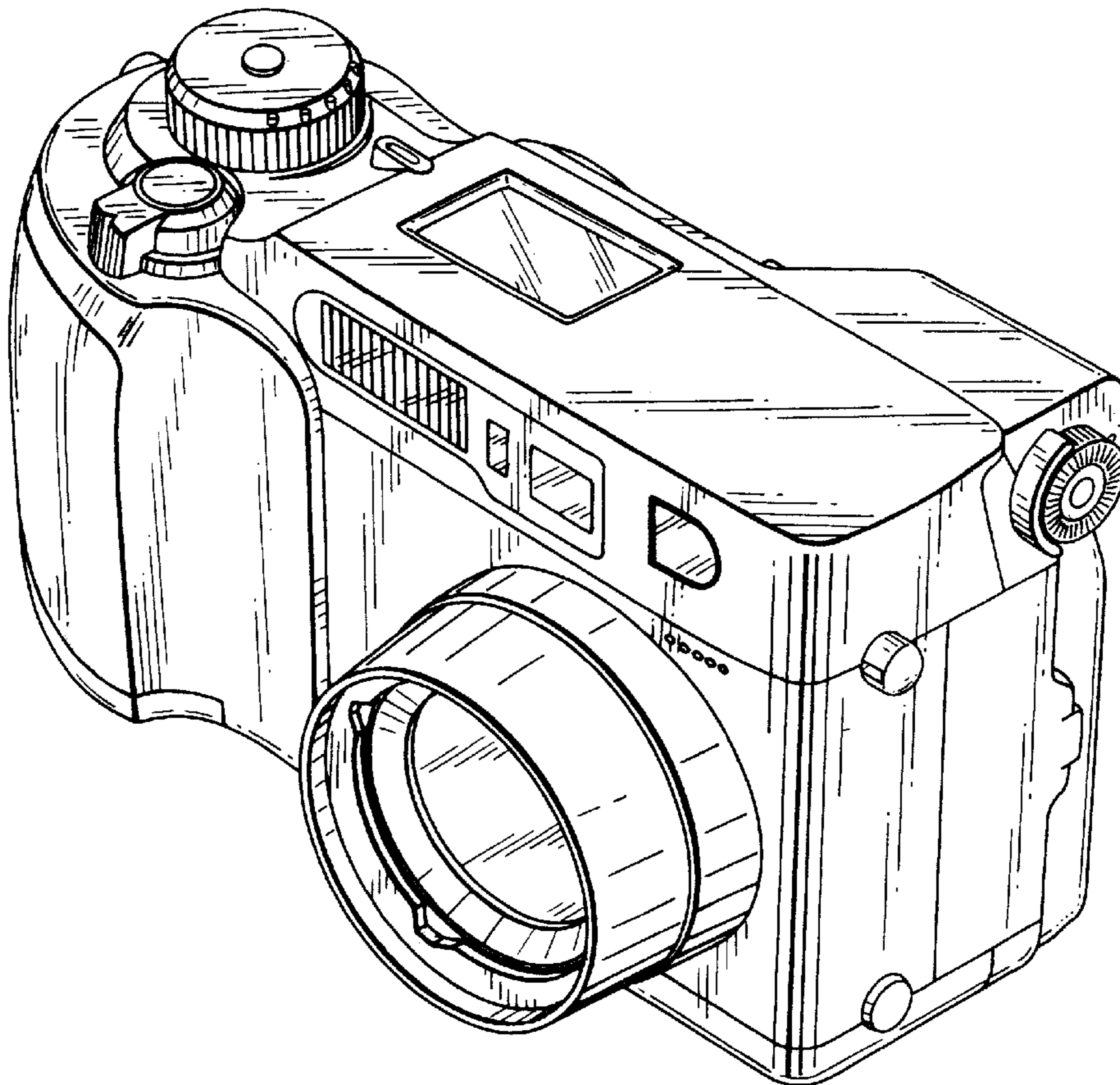
(57) **CLAIM**

The ornamental design for a camera, as shown.

DESCRIPTION

FIG. 1 is a front, top and right side perspective view of a camera, showing my new design;
FIG. 2 is a front elevational view thereof;
FIG. 3 is a top plan view thereof;
FIG. 4 is a left side elevational view thereof;
FIG. 5 is a right side elevational view thereof;
FIG. 6 is a rear elevational view thereof; and,
FIG. 7 is a bottom plan view thereof.

1 Claim, 4 Drawing Sheets



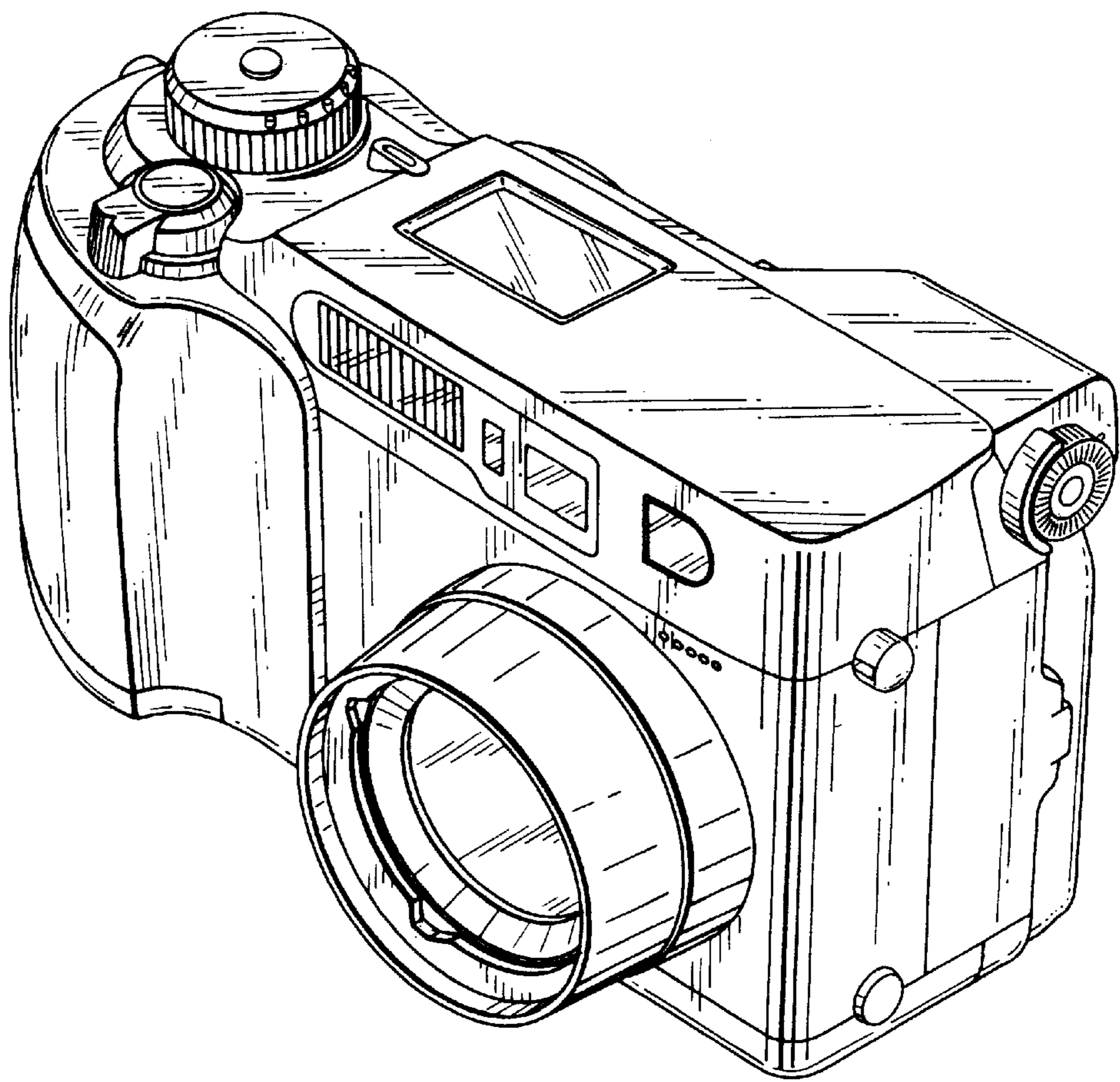


FIG. 1

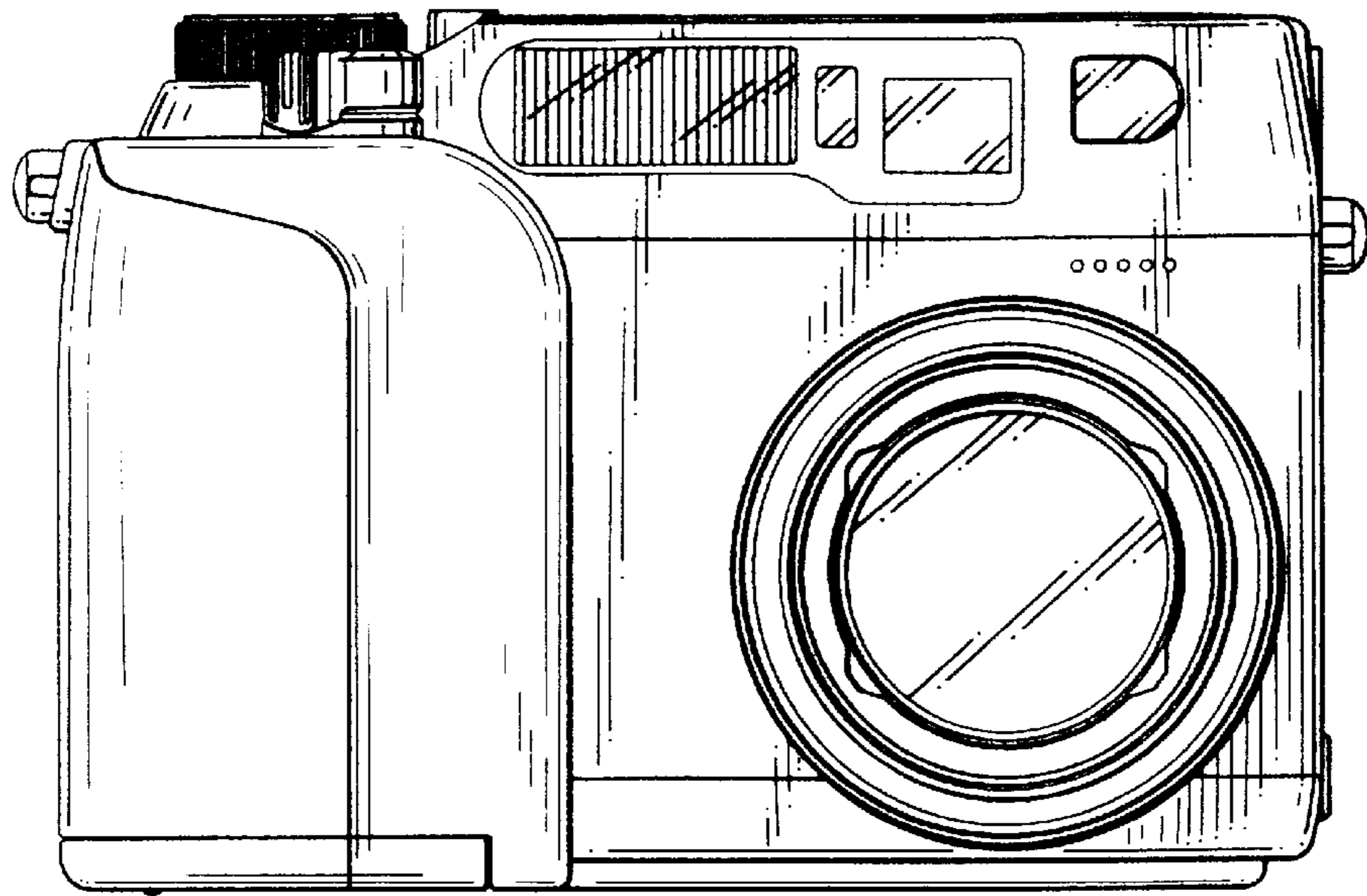


FIG. 2

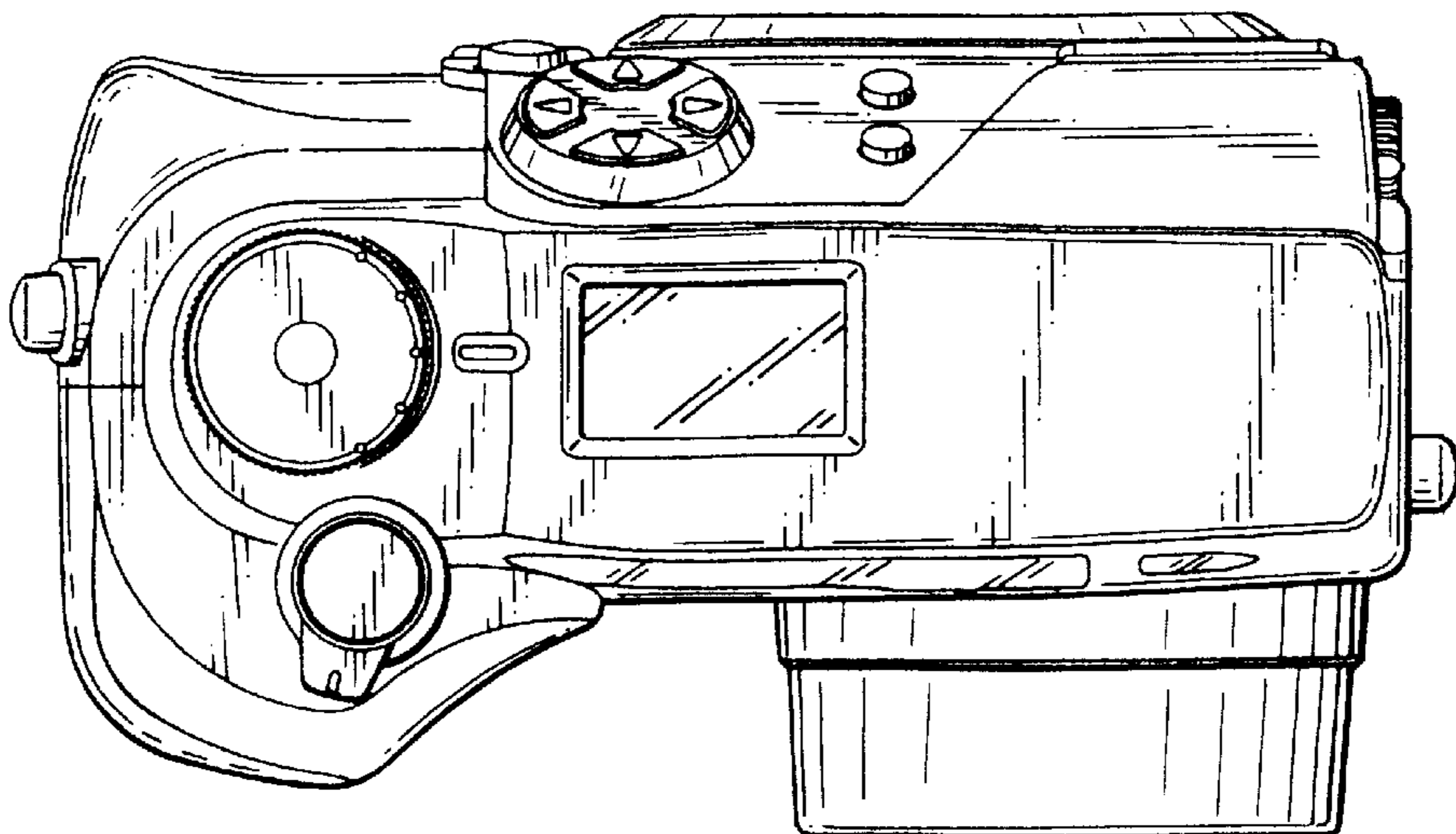


FIG. 3

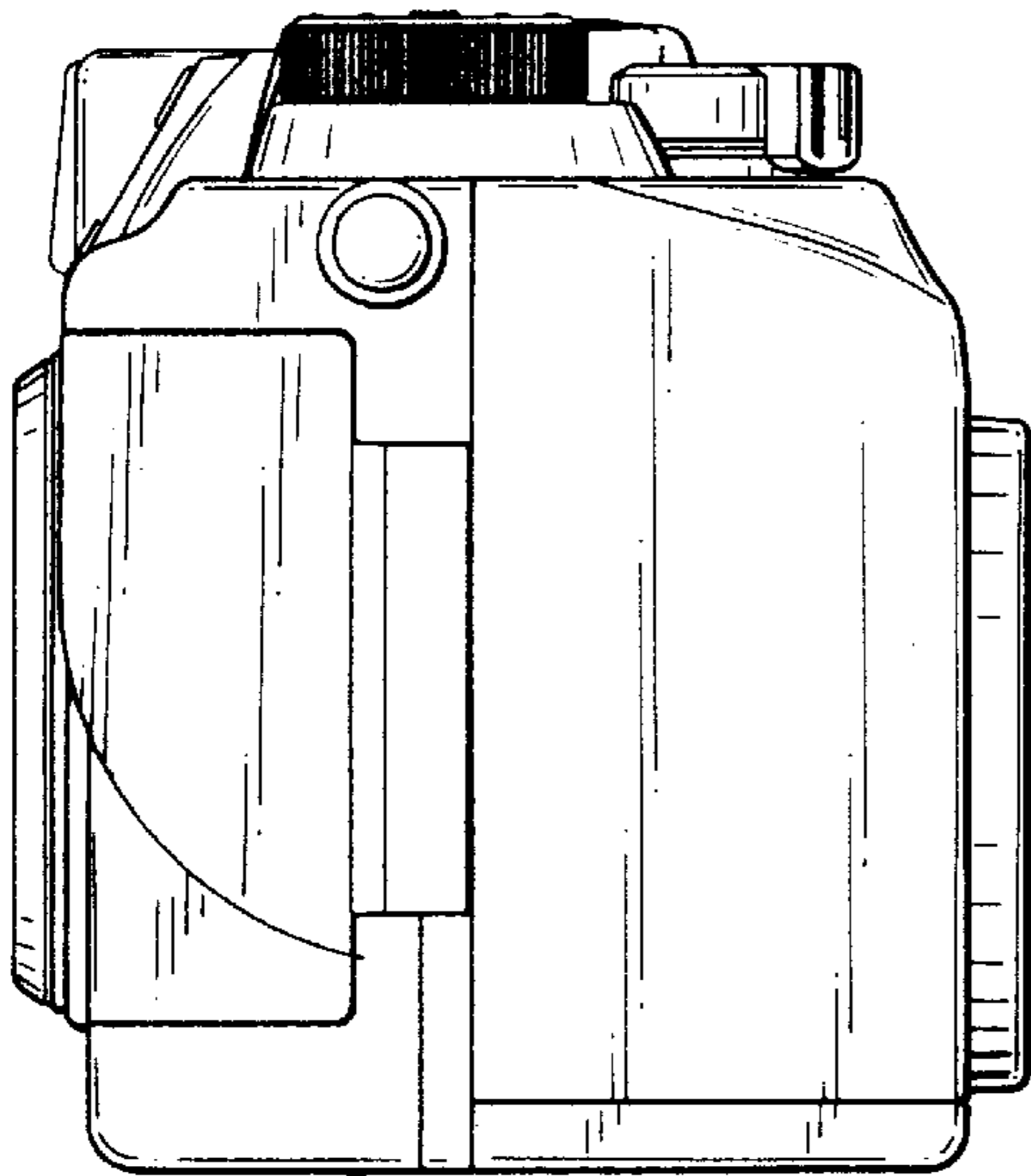


FIG. 4

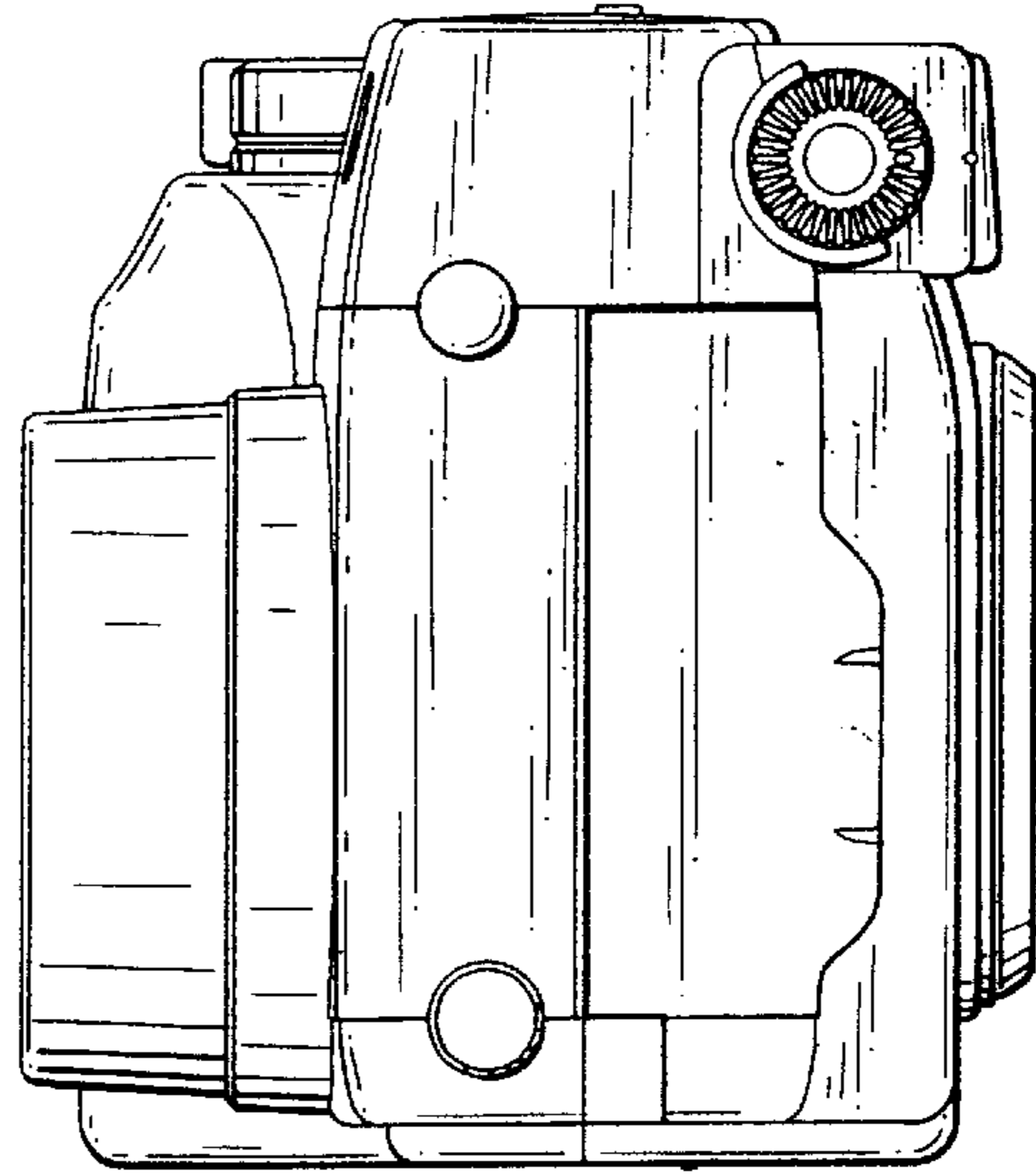


FIG. 5

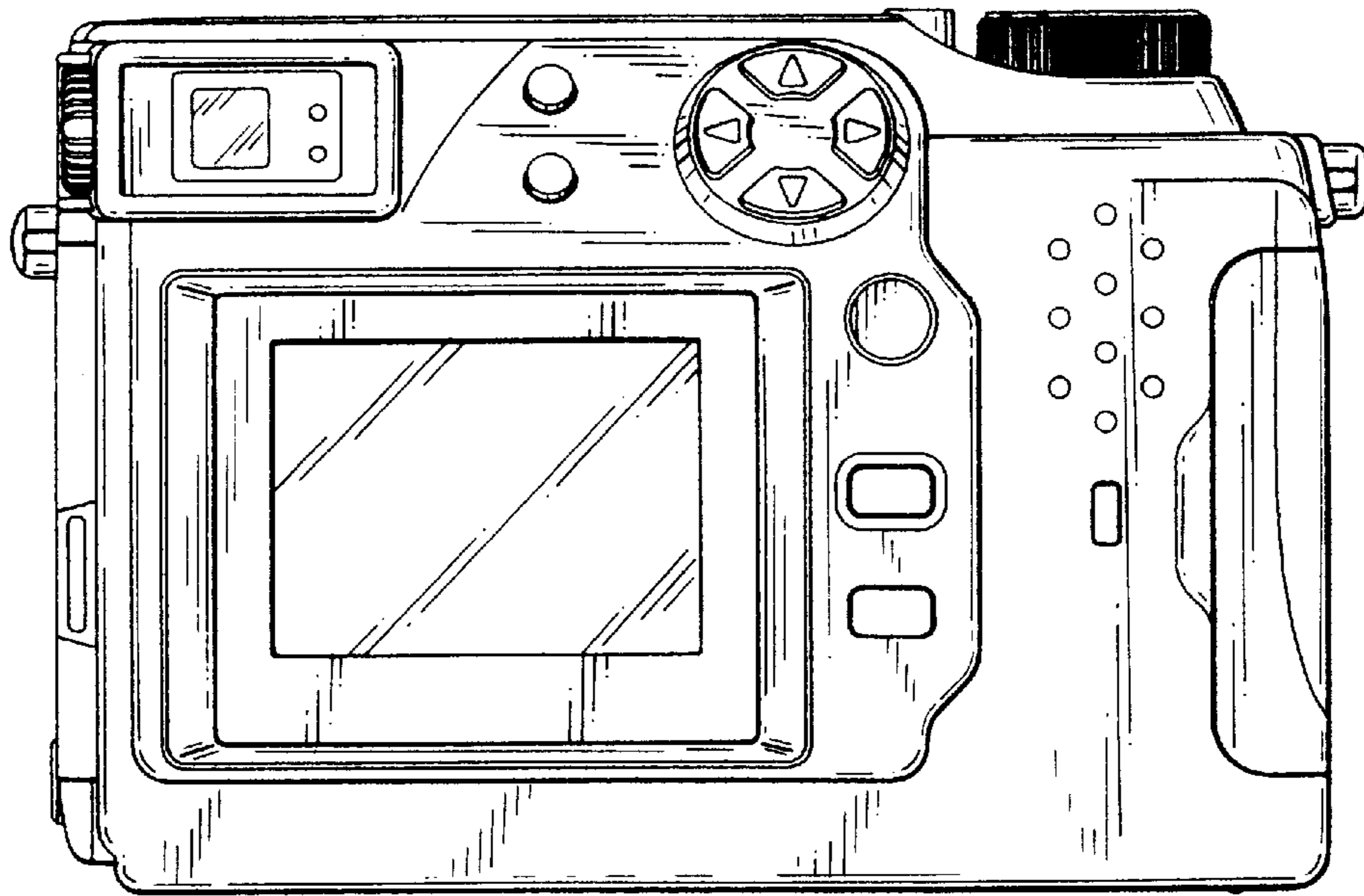


FIG. 6

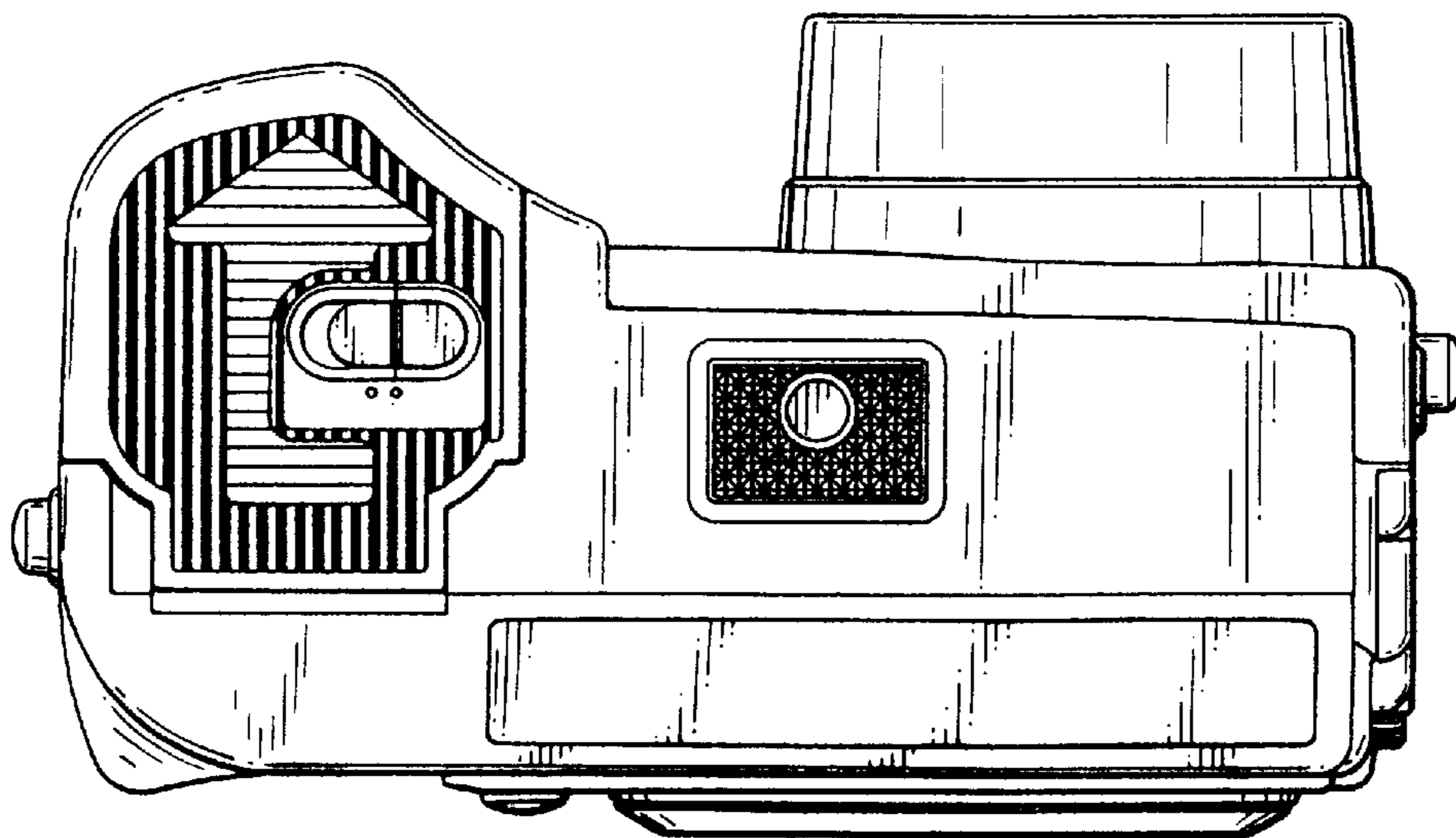


FIG. 7