



US00D441000S

(12) **United States Design Patent** (10) **Patent No.:** **US D441,000 S**
Vanderwilt et al. (45) **Date of Patent:** **** Apr. 24, 2001**

(54) **PERSONAL VIDEOCONFERENCING DEVICE**

(74) *Attorney, Agent, or Firm*—Carr & Ferrell; John Henkhaus

(75) **Inventors:** **Pat Vanderwilt; Alain Nimri; Stacy Saxon**, all of Austin; **Don Binford**, Round Rock; **Jerry Mayfield**, Georgetown, all of TX (US); **Scott Wakefield**, Andover, MA (US); **Christopher Ramm; Benjamin Misrahi**, both of Watertown, MA (US); **Kyle Brookshire**, Arlington, MA (US); **Martin G. Sexton**, Round Rock, TX (US)

(57) **CLAIM**

The ornamental design for a personal videoconferencing device, as shown and described.

(73) **Assignee:** **Polycom, Inc.**, Milpitas, CA (US)

(**) **Term:** **14 Years**

DESCRIPTION

(21) **Appl. No.:** **29/121,368**

(22) **Filed:** **Apr. 5, 2000**

(51) **LOC (7) Cl.** **16-01**

(52) **U.S. Cl.** **D16/202**

(58) **Field of Search** D14/130; D16/200–205; 348/14–20, 373–376; 396/419, 427, 535–541

FIG. 1 is a perspective view showing the front and right side of a personal videoconferencing device, wherein the device is shown in an upwardly tilted orientation;

FIG. 2 is a left side view of the personal videoconferencing device of FIG. 1, wherein the device is shown in a non-tilted orientation;

FIG. 3 is a right side view of the personal videoconferencing device of FIG. 1, wherein the device is shown in a non-tilted orientation;

FIG. 4 is a front elevational view of the personal videoconferencing device of FIG. 1, wherein the device is shown in a non-tilted orientation;

(56) **References Cited**

U.S. PATENT DOCUMENTS

D. 374,023	*	9/1996	Beck et al.	D16/202
D. 384,087	*	9/1997	Yamagami	D16/202
D. 386,505	*	11/1997	Maeyama	D16/202
D. 400,549	*	11/1998	Wakefield	D16/202
D. 424,086	*	5/2000	Choi	D16/203
5,633,681	*	5/1997	Baxter et al.	348/373

FIG. 5 is a rear elevational view of the personal videoconferencing device of FIG. 1, wherein the device is shown in a non-tilted orientation;

FIG. 6 is a top plan view of the personal videoconferencing device of FIG. 1; and,

FIG. 7 is a bottom plan view of the personal videoconferencing device of FIG. 1.

OTHER PUBLICATIONS

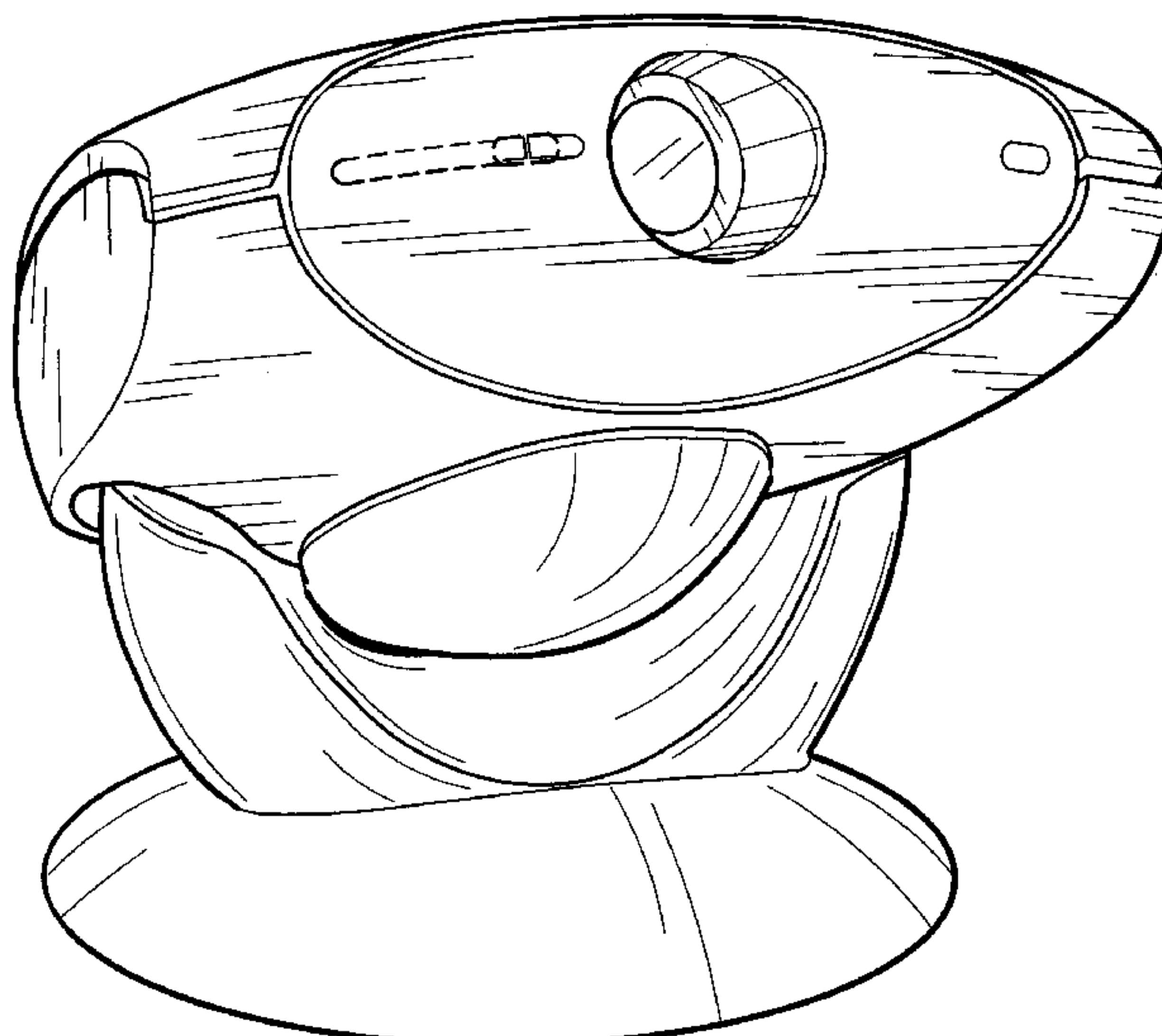
Vivitar Digital Imaging, Mar. 1998 (ViviCam).*

The broken lines shown in FIGS. 1–7 are for illustrative purposes only and form no part of the claimed design.

* cited by examiner

Primary Examiner—Adir Aronovich

1 Claim, 4 Drawing Sheets



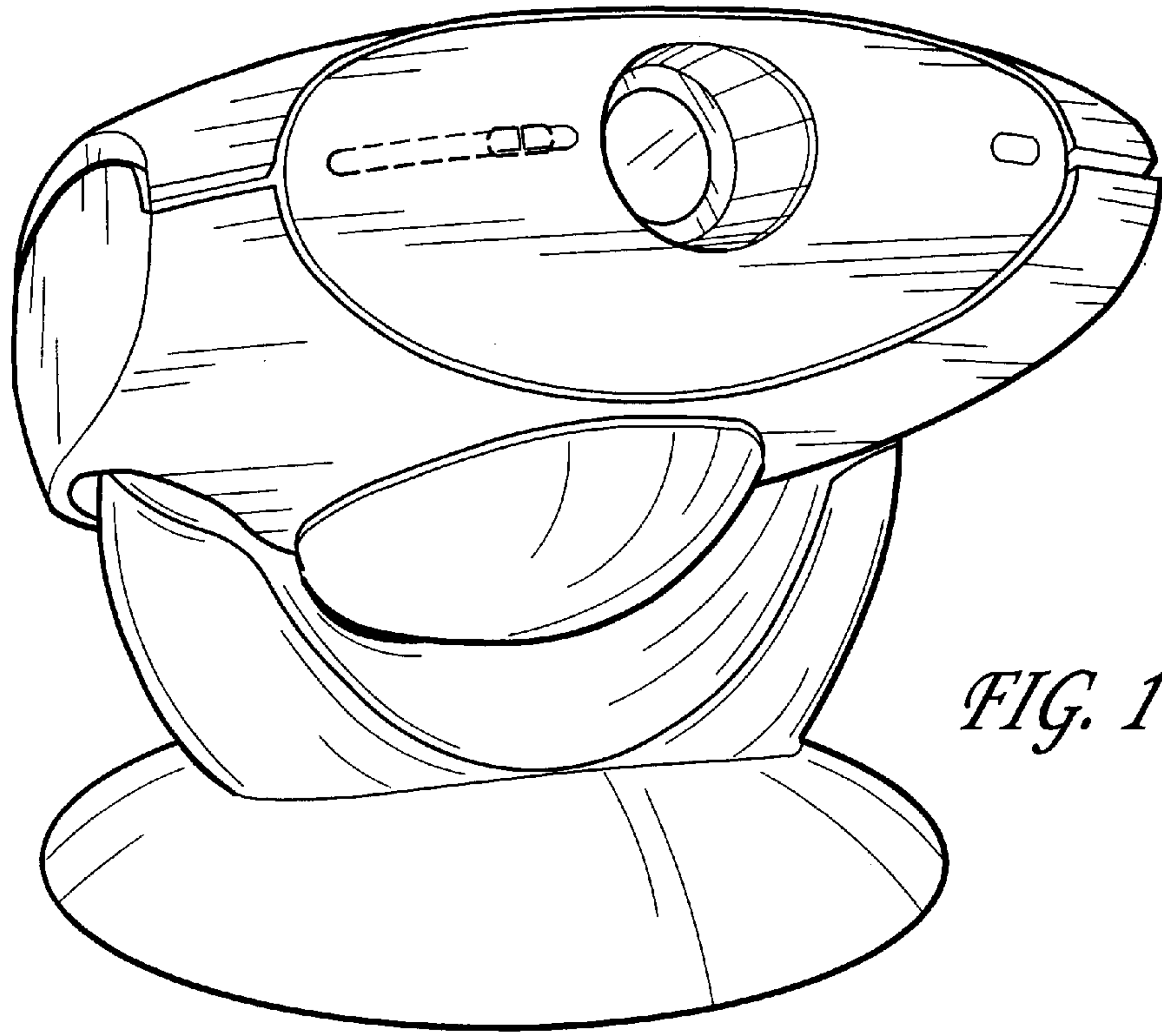


FIG. 1

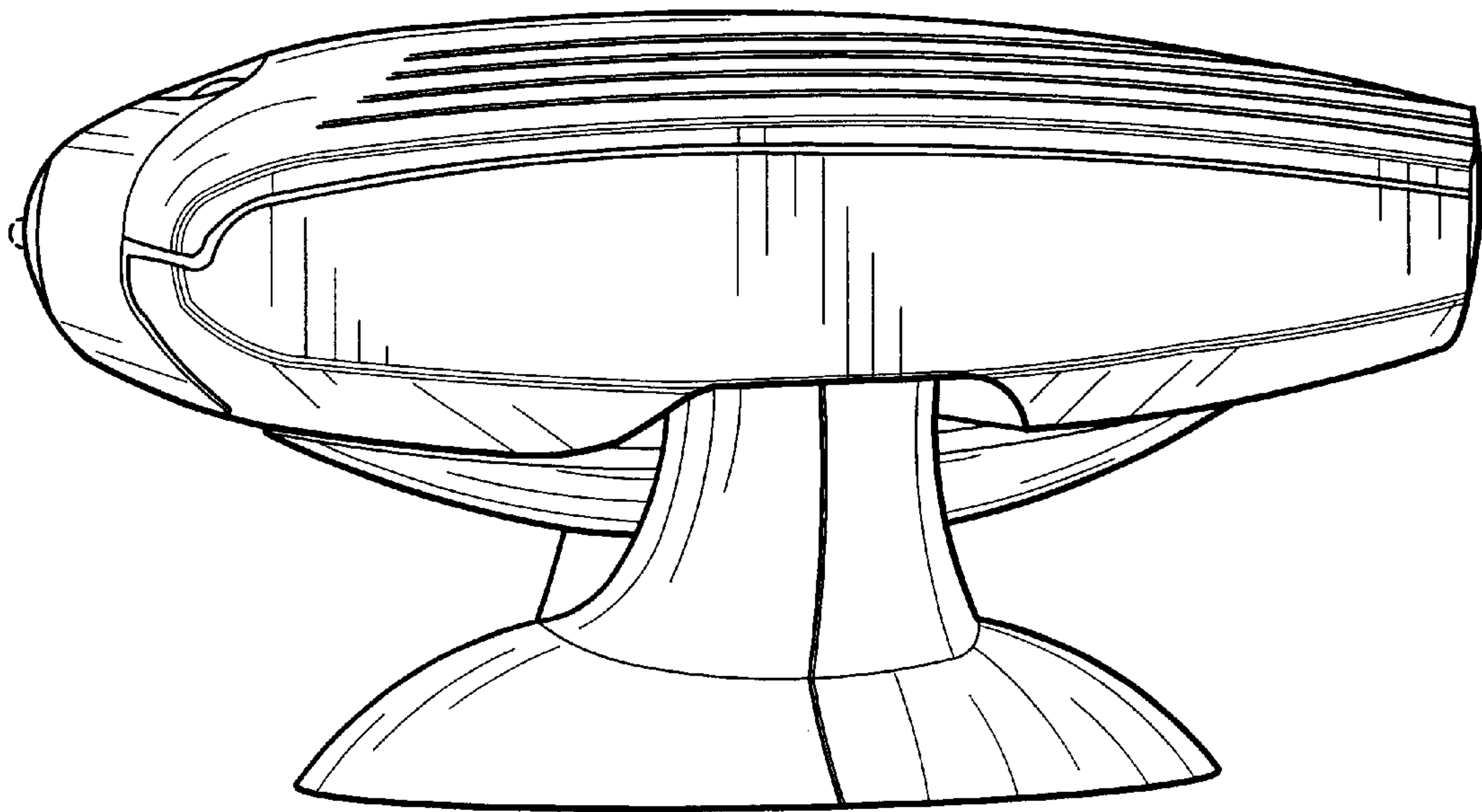


FIG. 2

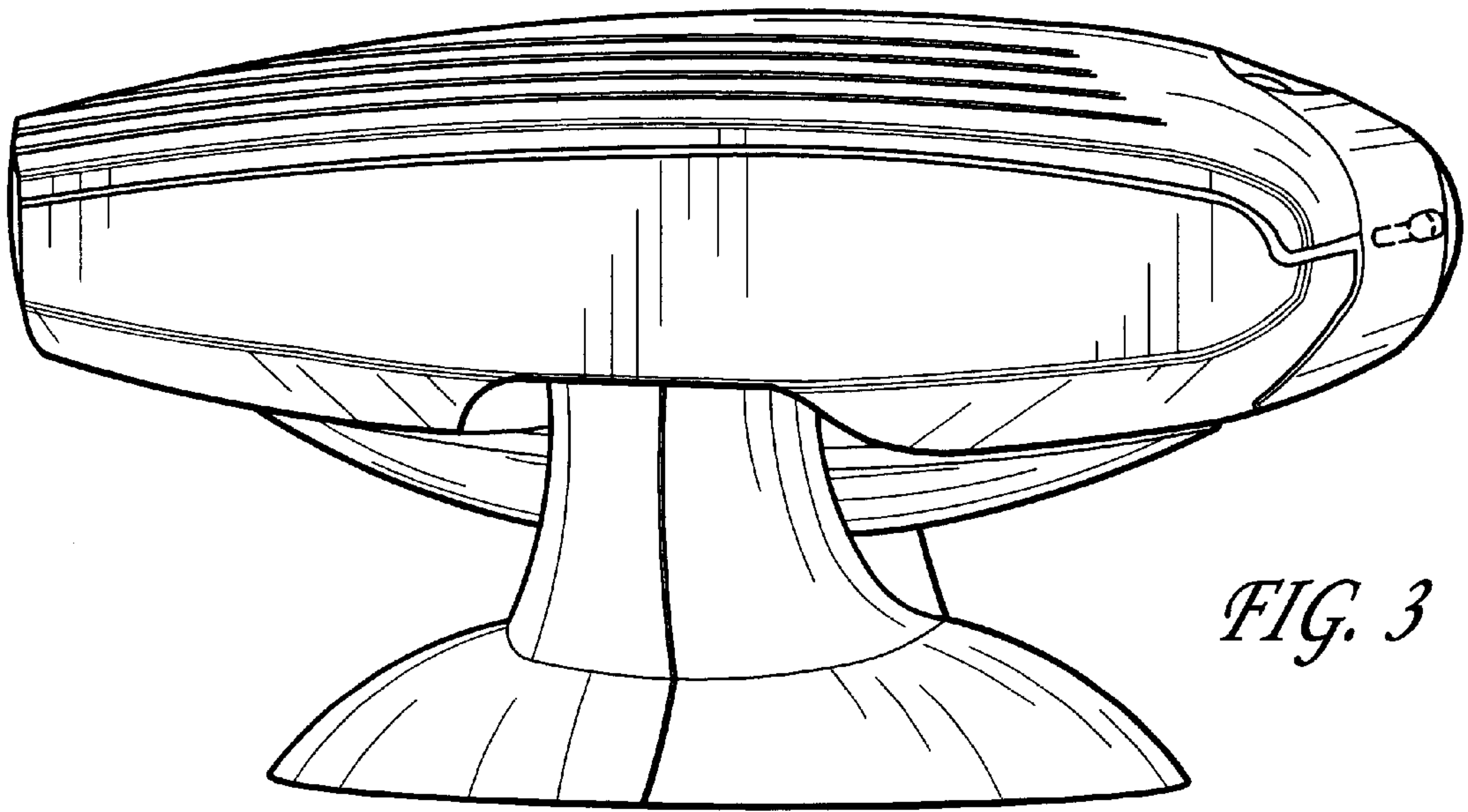


FIG. 3

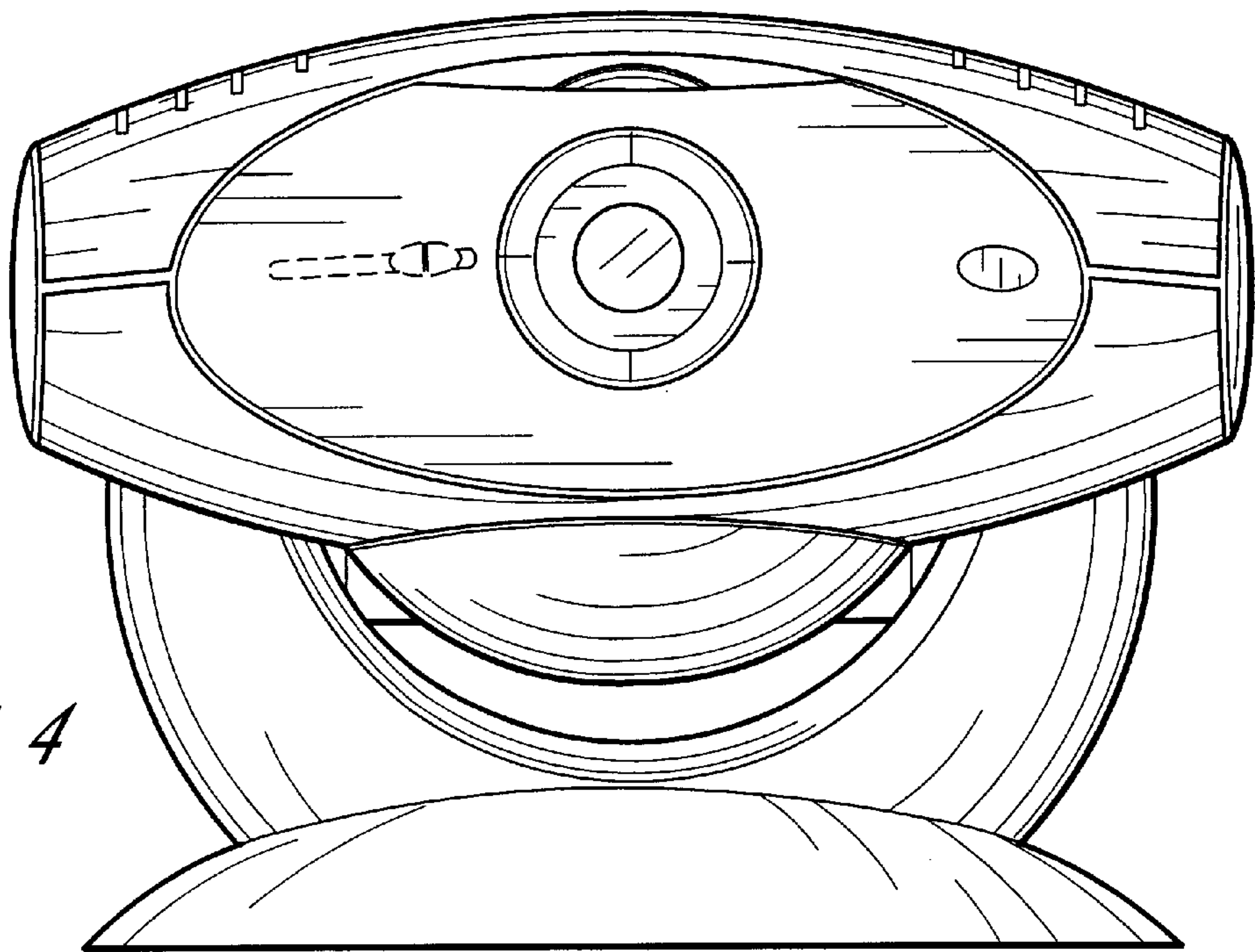


FIG. 4

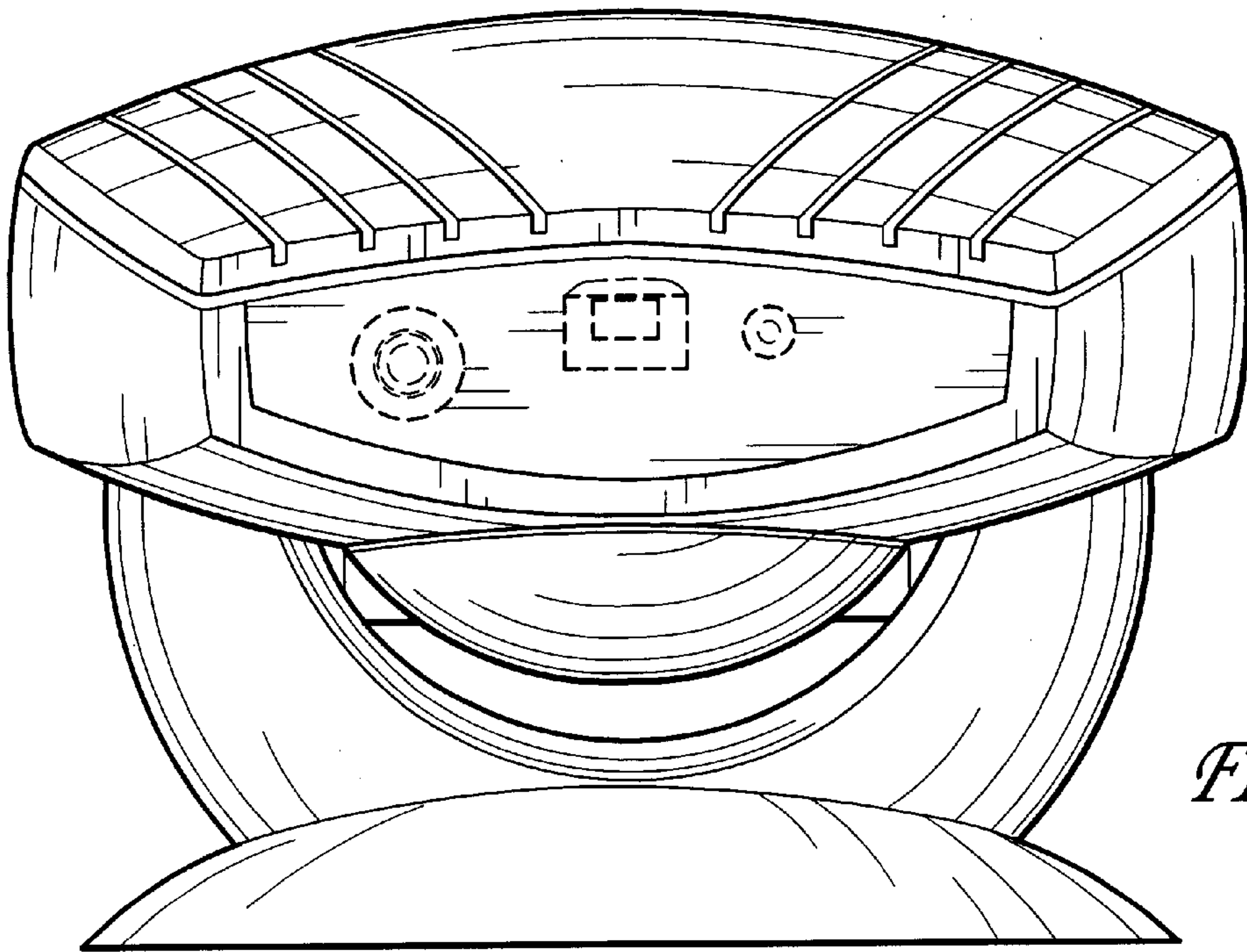


FIG. 5

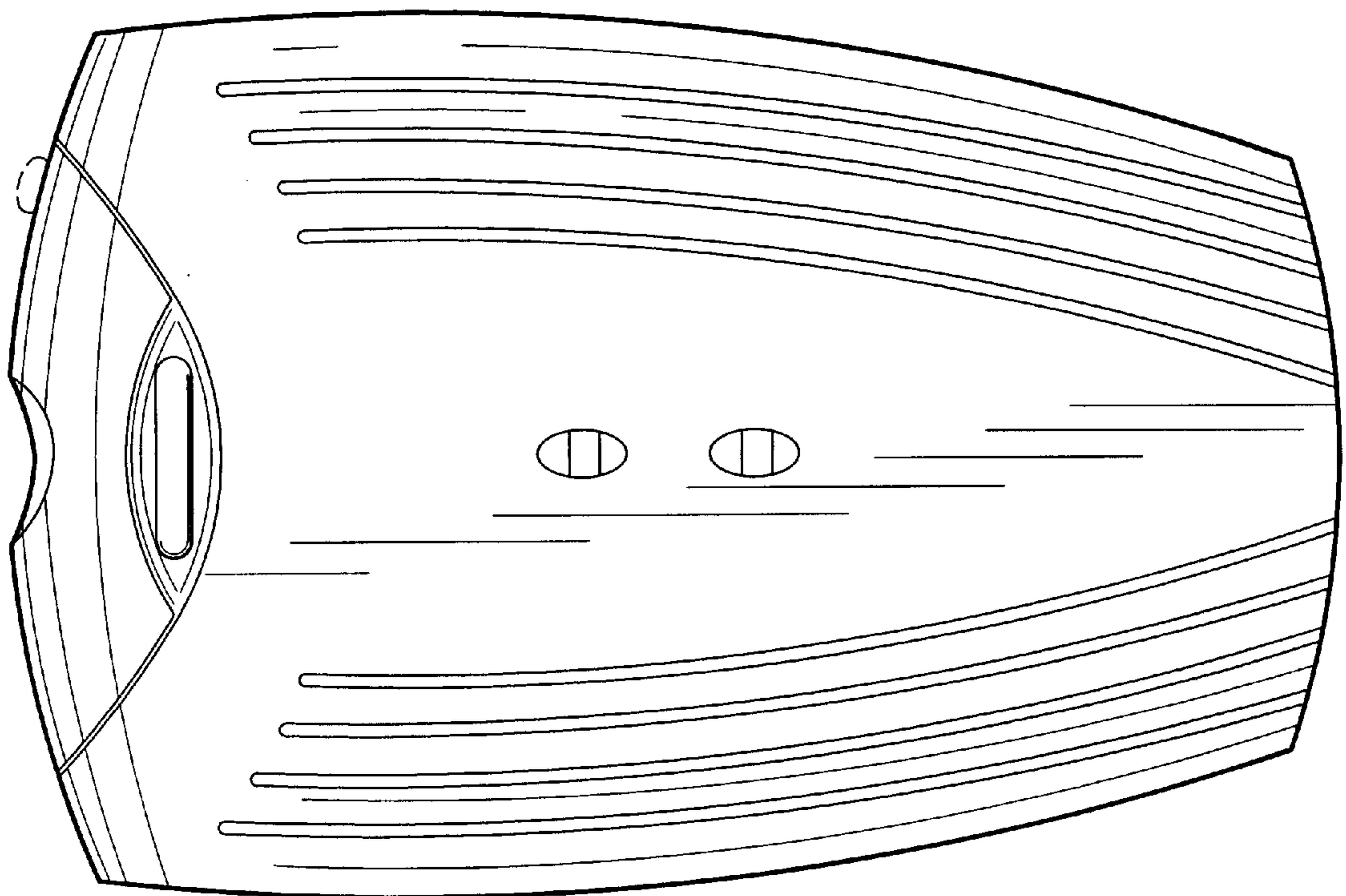


FIG. 6

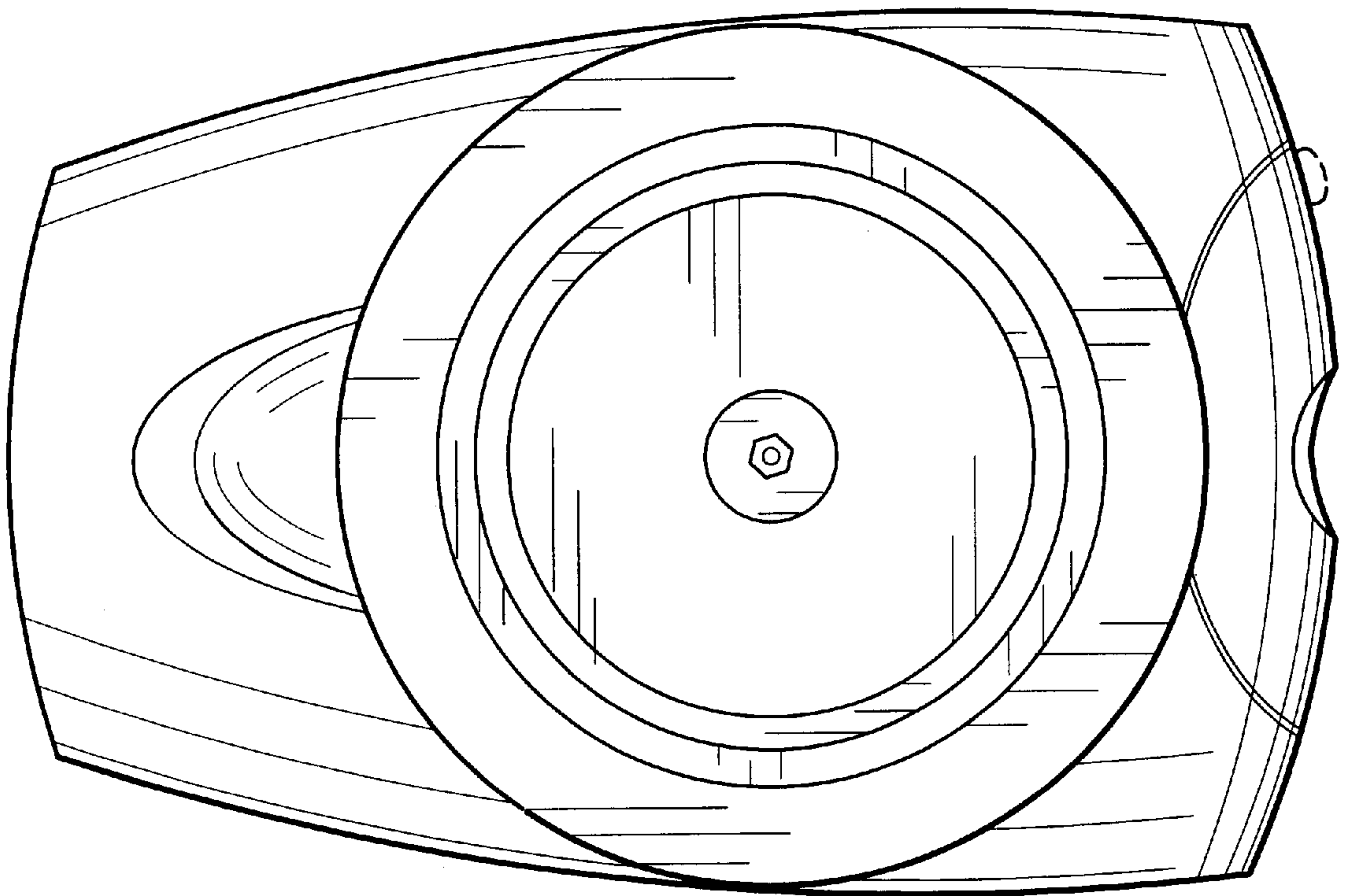


FIG. 7