



US00D440997S

(12) **United States Design Patent**
Watanabe

(10) **Patent No.:** **US D440,997 S**

(45) **Date of Patent:** **** Apr. 24, 2001**

(54) **LENS FOR SINGLE-LENS REFLEX CAMERA**

(75) Inventor: **Akira Watanabe**, Saitama (JP)

(73) Assignee: **Asahi Kogaku Kogyo Kabushiki Kaishi**, Tokyo (JP)

(**) Term: **14 Years**

(21) Appl. No.: **29/125,718**

(22) Filed: **Jun. 29, 2000**

(30) **Foreign Application Priority Data**

Feb. 28, 2000 (JP) 12-003995

(51) **LOC (7) Cl.** **16-06**

(52) **U.S. Cl.** **D16/134**

(58) **Field of Search** D16/130, 132,
D16/134; 359/703, 704, 811, 815, 819,
826, 827

(56) **References Cited**

U.S. PATENT DOCUMENTS

- D. 203,882 * 2/1966 Hoogesteger D16/134
- D. 337,775 * 7/1993 Takahashi D16/134
- D. 347,650 * 6/1994 Takahashi D16/134
- D. 356,805 * 3/1995 Takahashi D16/134

- D. 390,857 * 2/1998 Hayamizu D16/134
- D. 420,029 * 2/2000 Kimura et al. D16/134
- 3,138,060 * 6/1964 Eggert et al. 359/703
- 3,904,279 * 9/1975 Sanada 359/827
- 4,822,153 * 4/1989 Tomori et al. 359/704

* cited by examiner

Primary Examiner—Paula A. Mortimer

(74) *Attorney, Agent, or Firm*—Sughrue, Mion, Zinn, Macpeak & Seas, PLLC

(57) **CLAIM**

The ornamental design for a lens for single-lens reflex camera, as shown.

DESCRIPTION

FIG. 1 is a perspective view of the top, one side and one end of a lens for single-lens reflex camera showing my new design;

FIG. 2 is a side elevational view of said one side thereof;

FIG. 3 is a side elevational view of an opposite side thereof;

FIG. 4 is a top plan view thereof;

FIG. 5 is a bottom plan view thereof;

FIG. 6 is an end elevational view of said one end thereof;

and,

FIG. 7 is an end elevational view of an opposite end thereof.

1 Claim, 4 Drawing Sheets

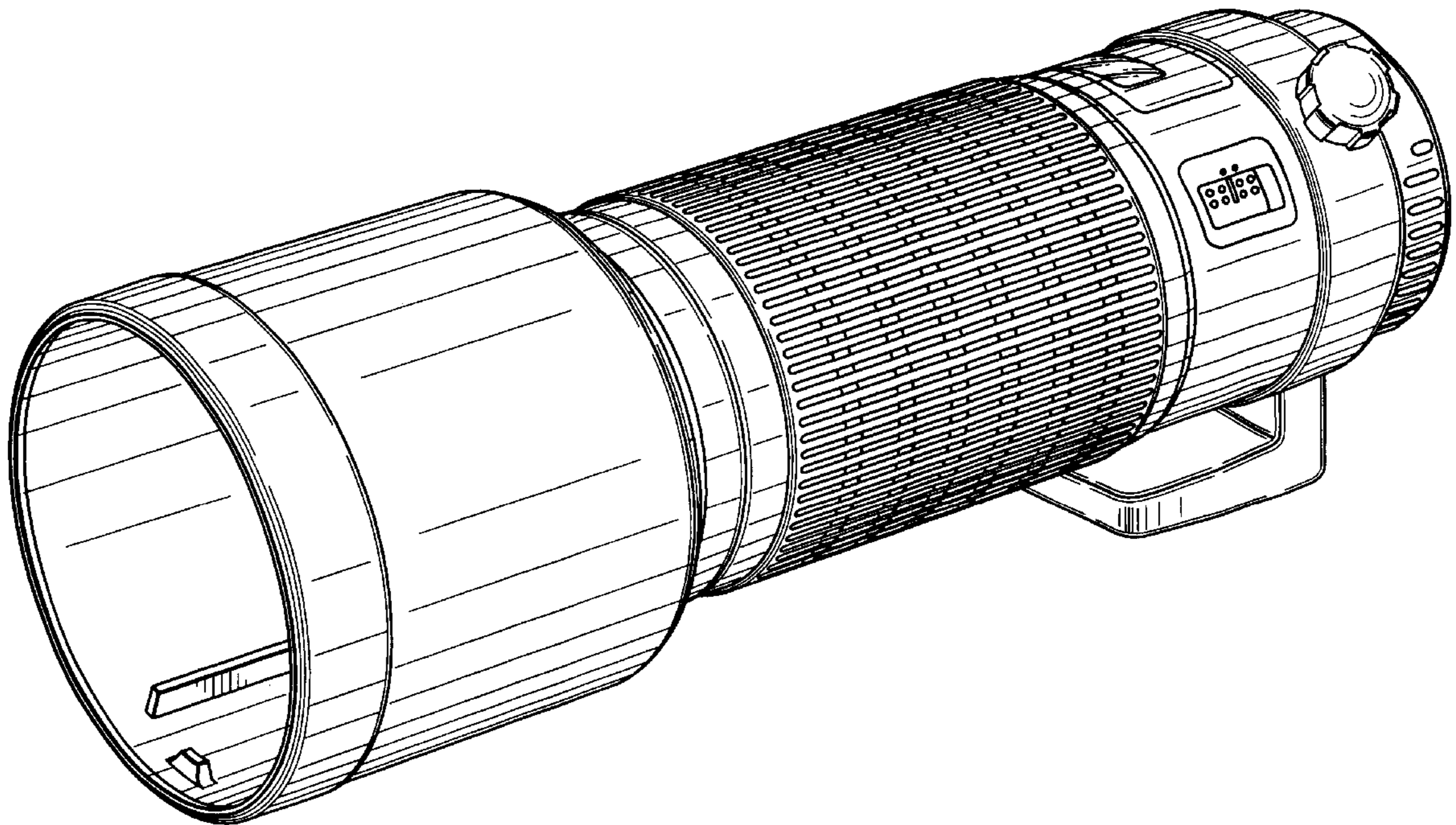
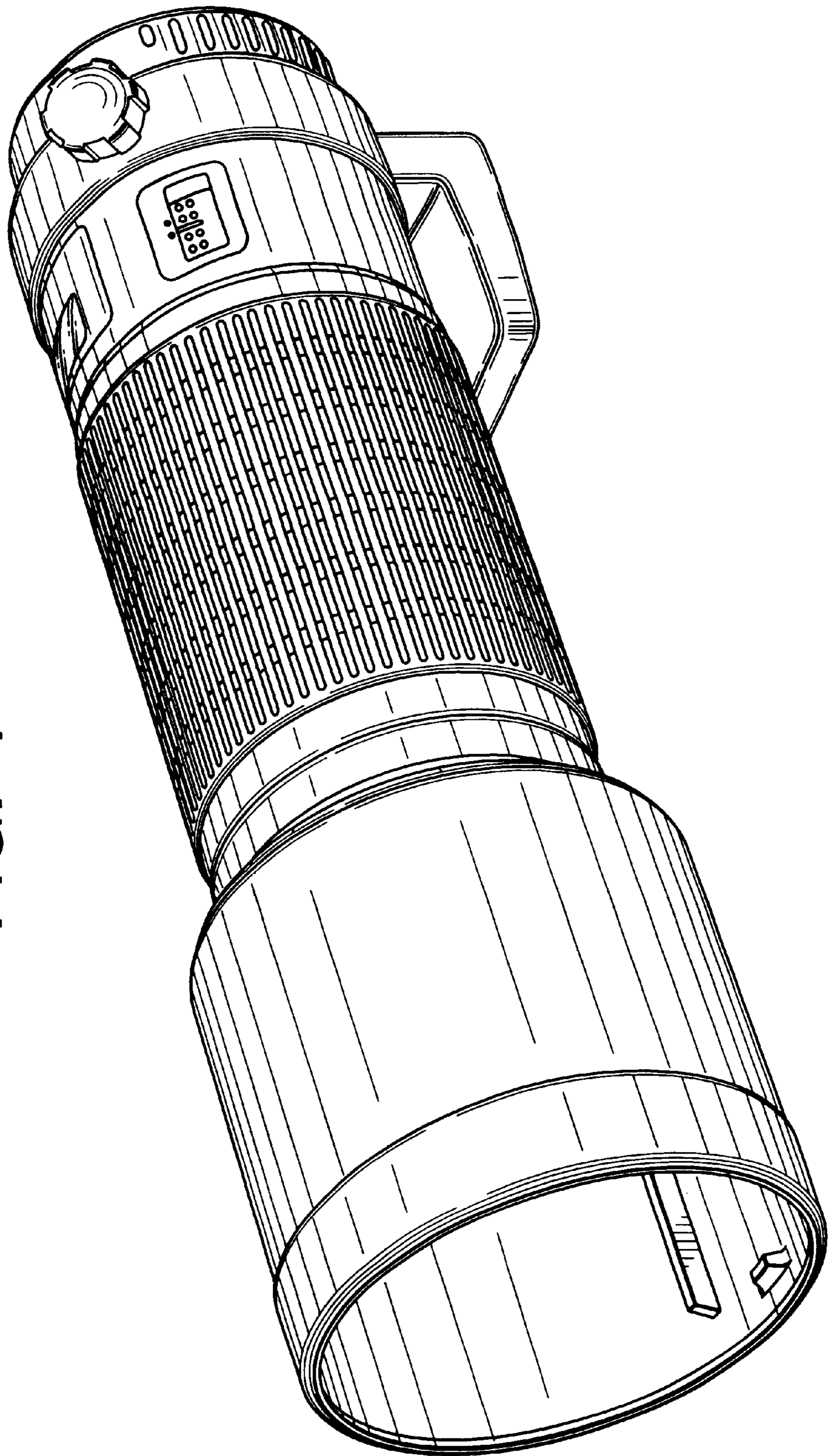


FIG. 1



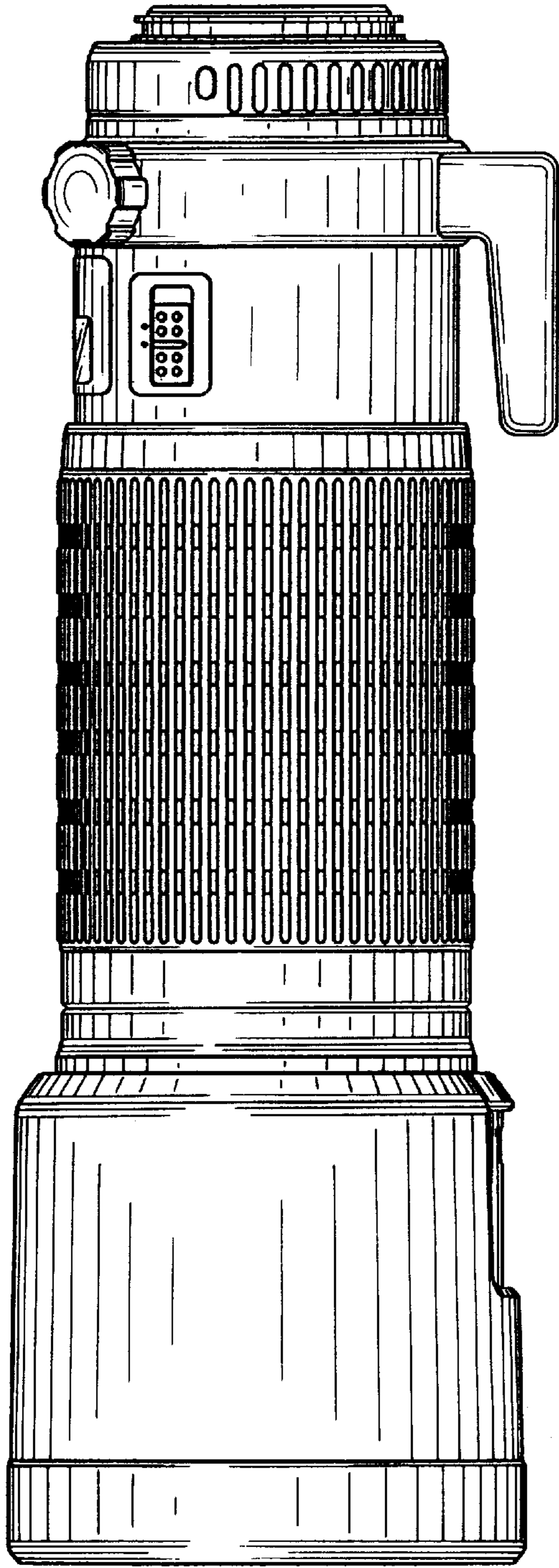


FIG. 2

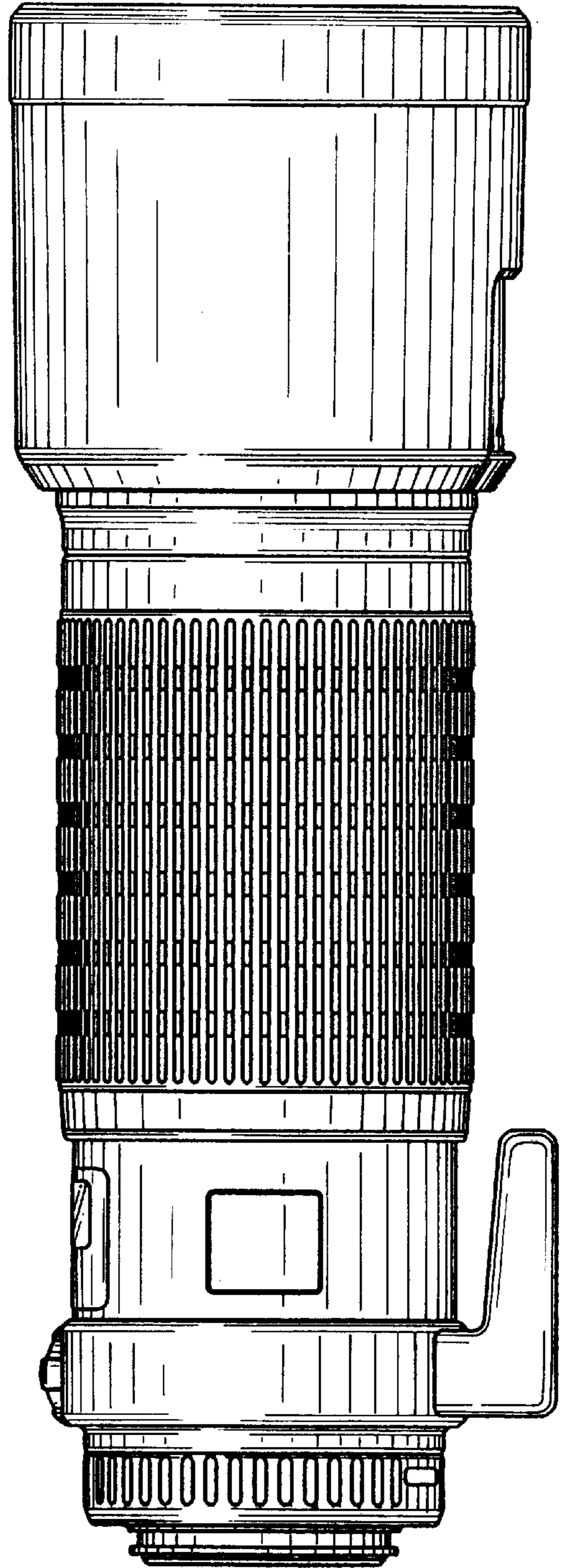


FIG. 3

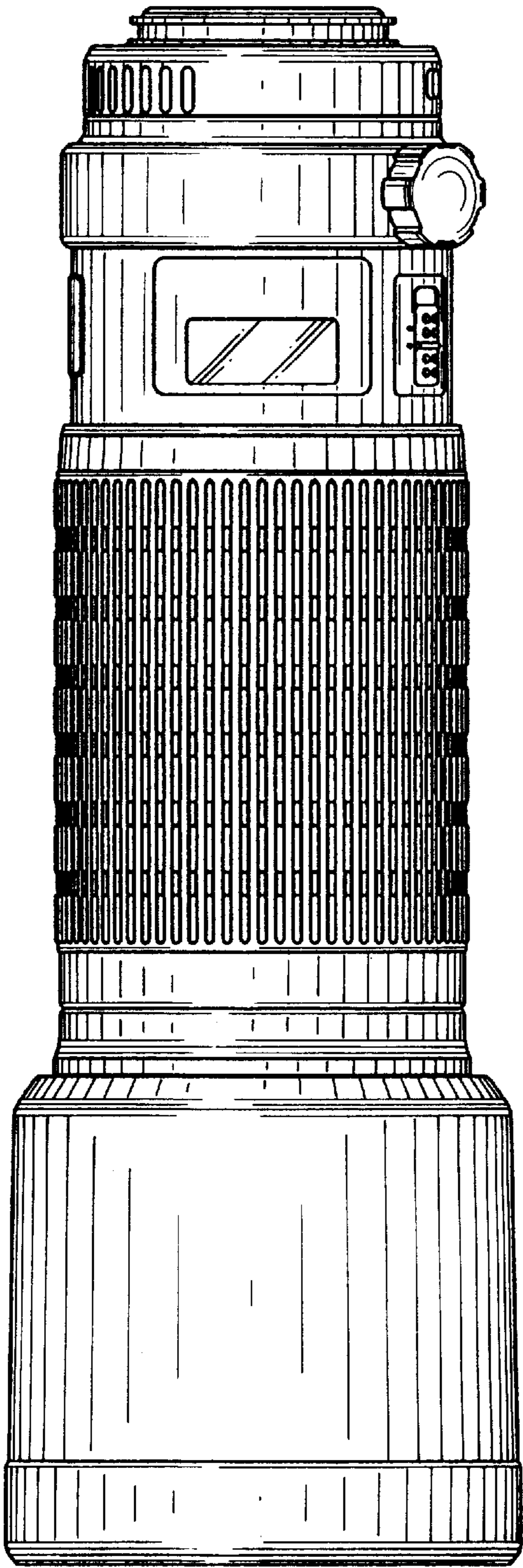


FIG. 4

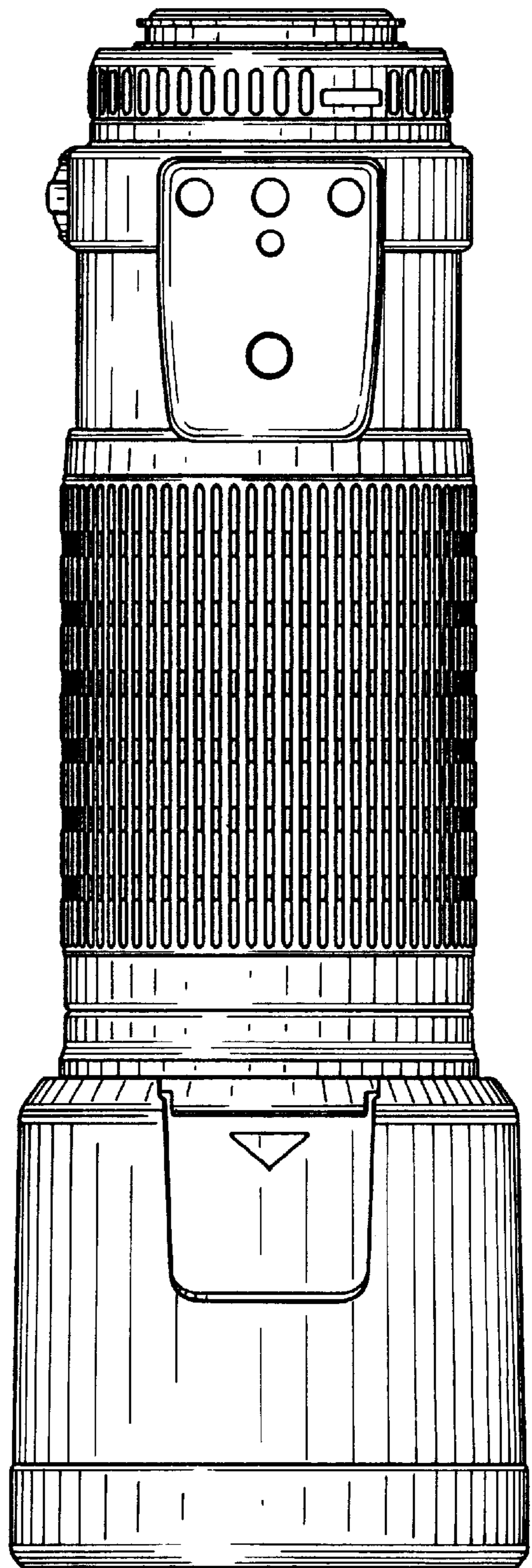


FIG. 5

FIG. 7

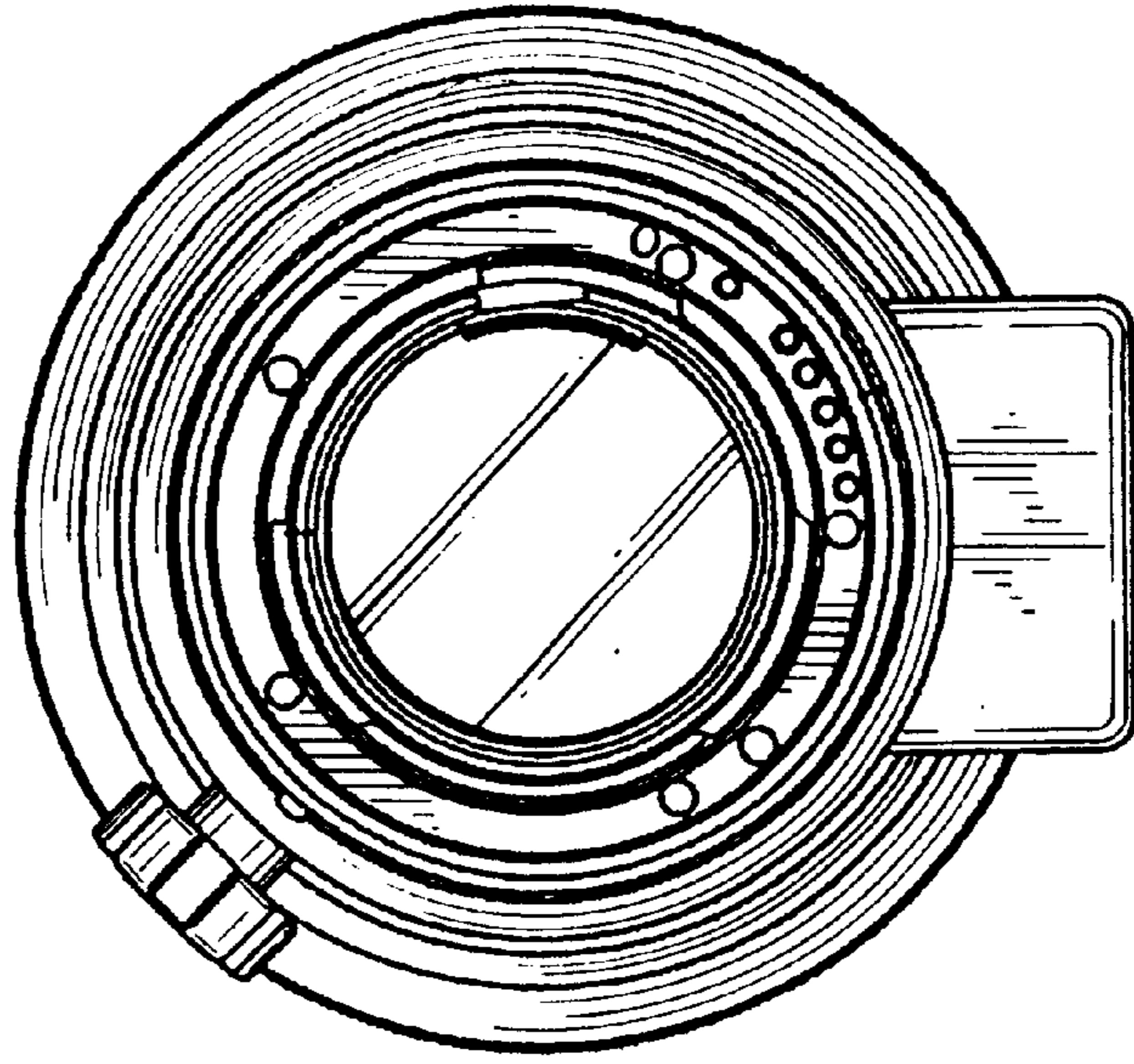


FIG. 6

