



US00D440996S

(12) **United States Design Patent**
Takanashi

(10) **Patent No.:** **US D440,996 S**

(45) **Date of Patent:** **** Apr. 24, 2001**

(54) **MICROSCOPE**

(75) **Inventor:** **Takao Takanashi, Kawasaki (JP)**

(73) **Assignee:** **Swift Instruments, Boston, MA (US)**

(**) **Term:** **14 Years**

(21) **Appl. No.:** **29/126,153**

(22) **Filed:** **Jul. 10, 2000**

(51) **LOC (7) Cl.** **16-06**

(52) **U.S. Cl.** **D16/131**

(58) **Field of Search** **D16/130, 131;**
359/376, 377, 375, 378, 381, 382, 383,
385, 368

(56) **References Cited**

U.S. PATENT DOCUMENTS

- D. 182,097 * 2/1958 Armbruster D16/131
- D. 345,747 * 4/1994 Hölbl D16/131
- D. 354,761 * 1/1995 Komatsuzaki et al. D16/131
- D. 367,869 * 3/1996 Hofmann-Igl et al. D16/131
- D. 400,548 * 11/1998 Komatsuzaki D16/131

- 2,967,456 * 1/1961 Maier 359/376 X
- 3,064,529 * 11/1962 Straat 359/381 X
- 4,621,531 * 11/1986 Nakamura et al. 359/368

* cited by examiner

Primary Examiner—Paula A. Mortimer

(74) *Attorney, Agent, or Firm*—Fish & Richardson P.C.

(57) **CLAIM**

The ornamental design for a microscope, as shown and described.

DESCRIPTION

FIG. 1 is a perspective view of a microscope of the invention.

FIG. 2 is a side view of the microscope of FIG. 1;

FIG. 3 is a front view of the microscope of FIG. 1;

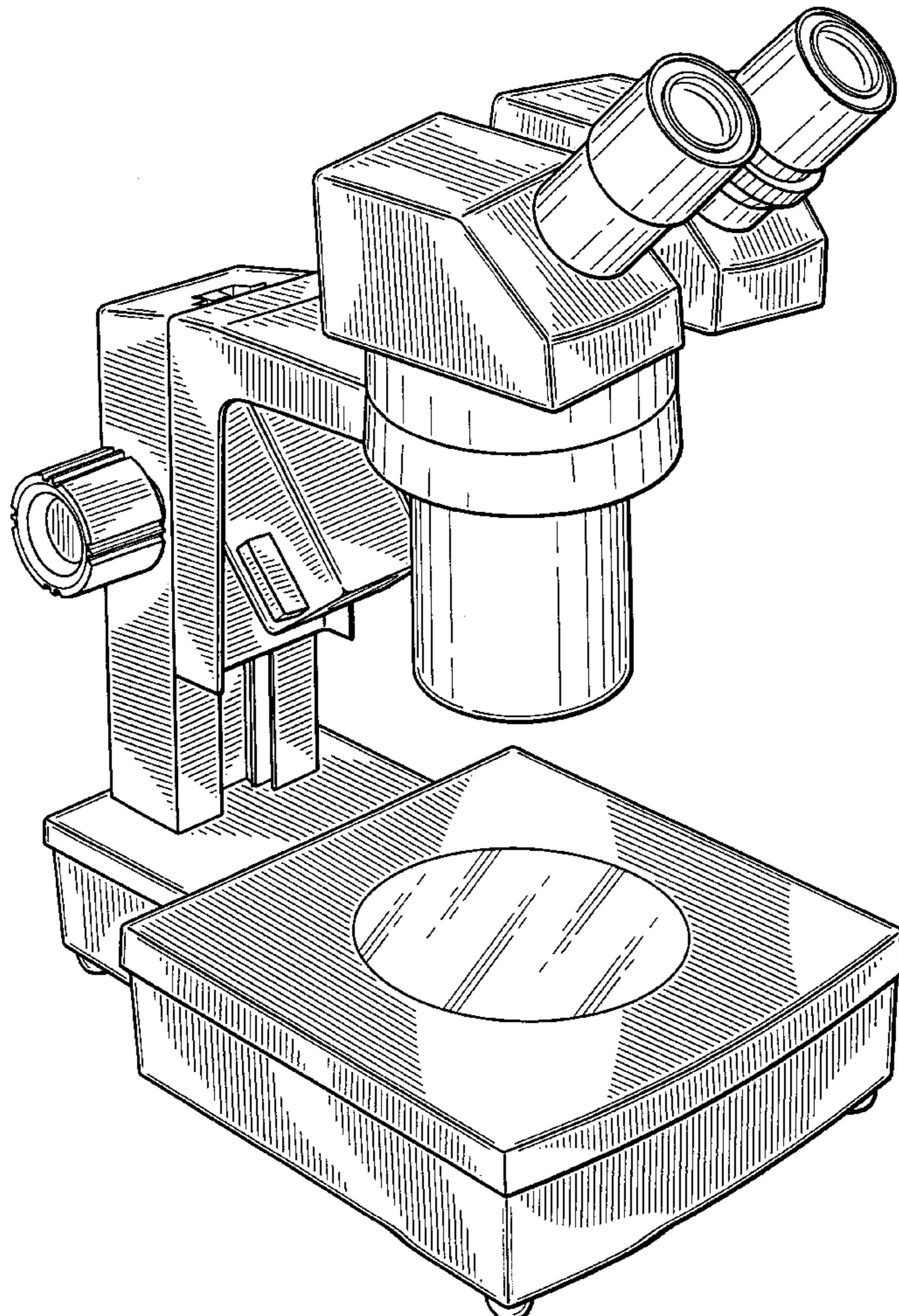
FIG. 4 is the opposite side view of the microscope of FIG. 1;

FIG. 5 is a rear view of the microscope of FIG. 1;

FIG. 6 is a top view of the microscope of FIG. 1; and,

FIG. 7 is a bottom plan view of the microscope of FIG. 1.

1 Claim, 4 Drawing Sheets



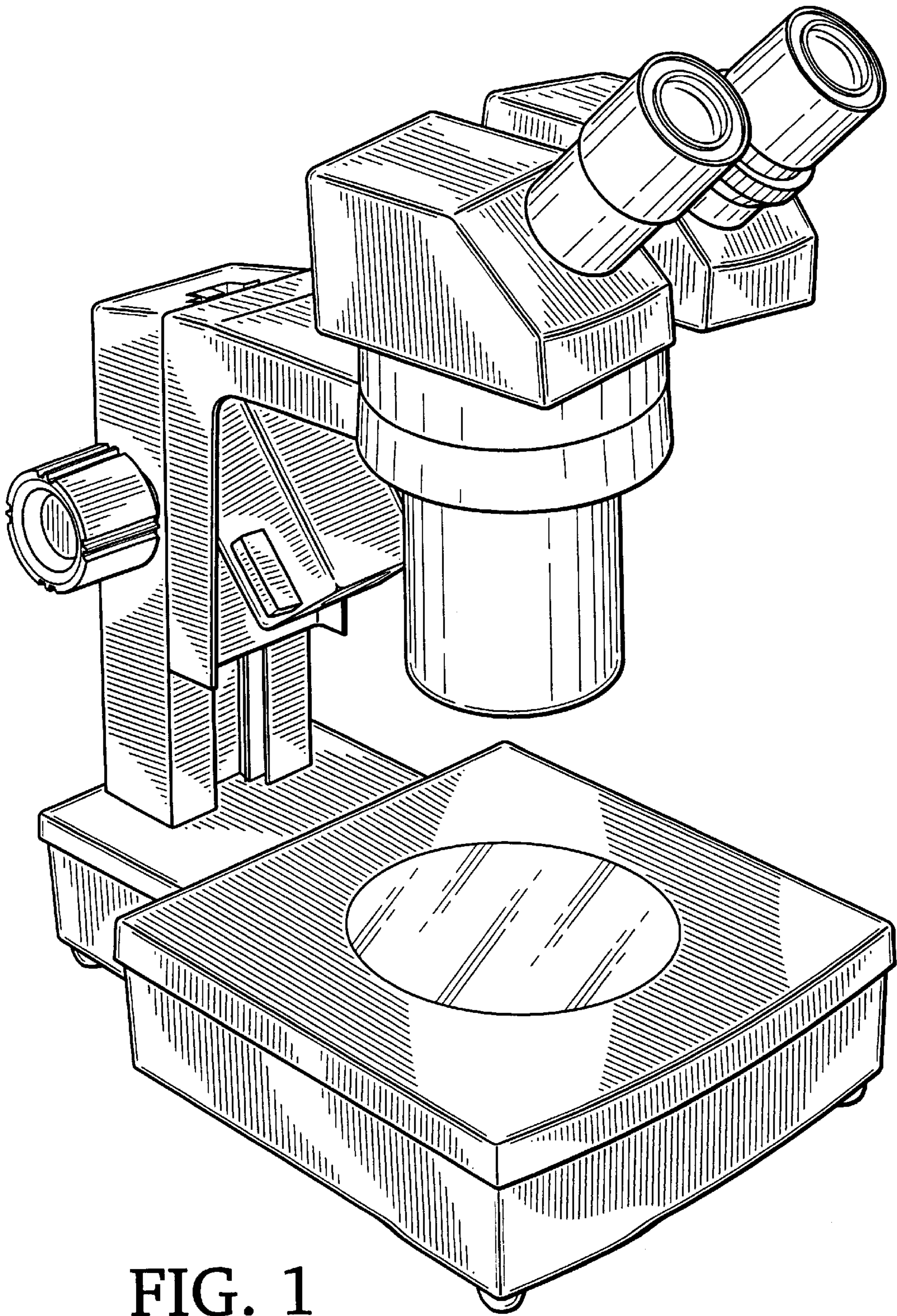


FIG. 1

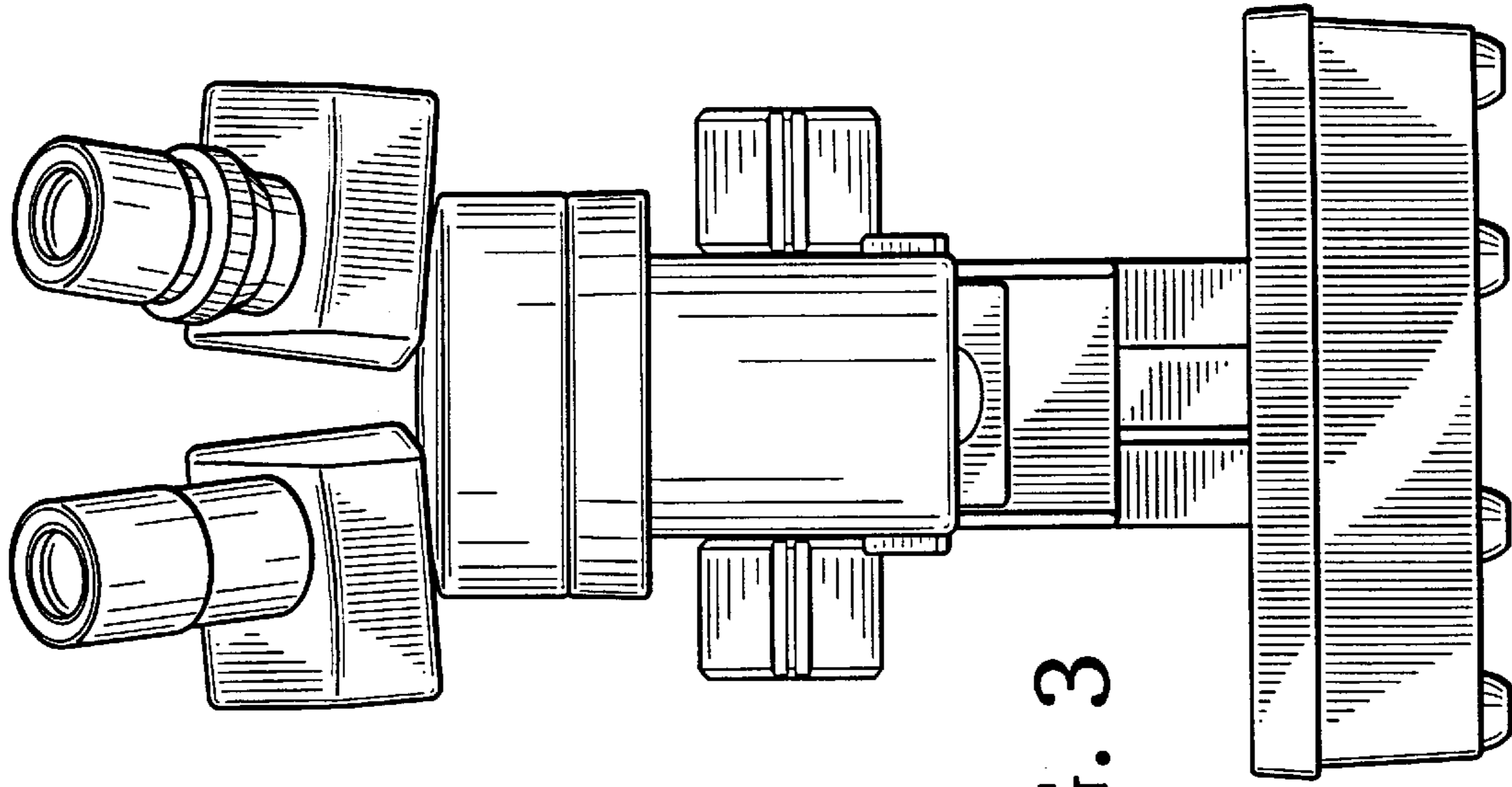


FIG. 3

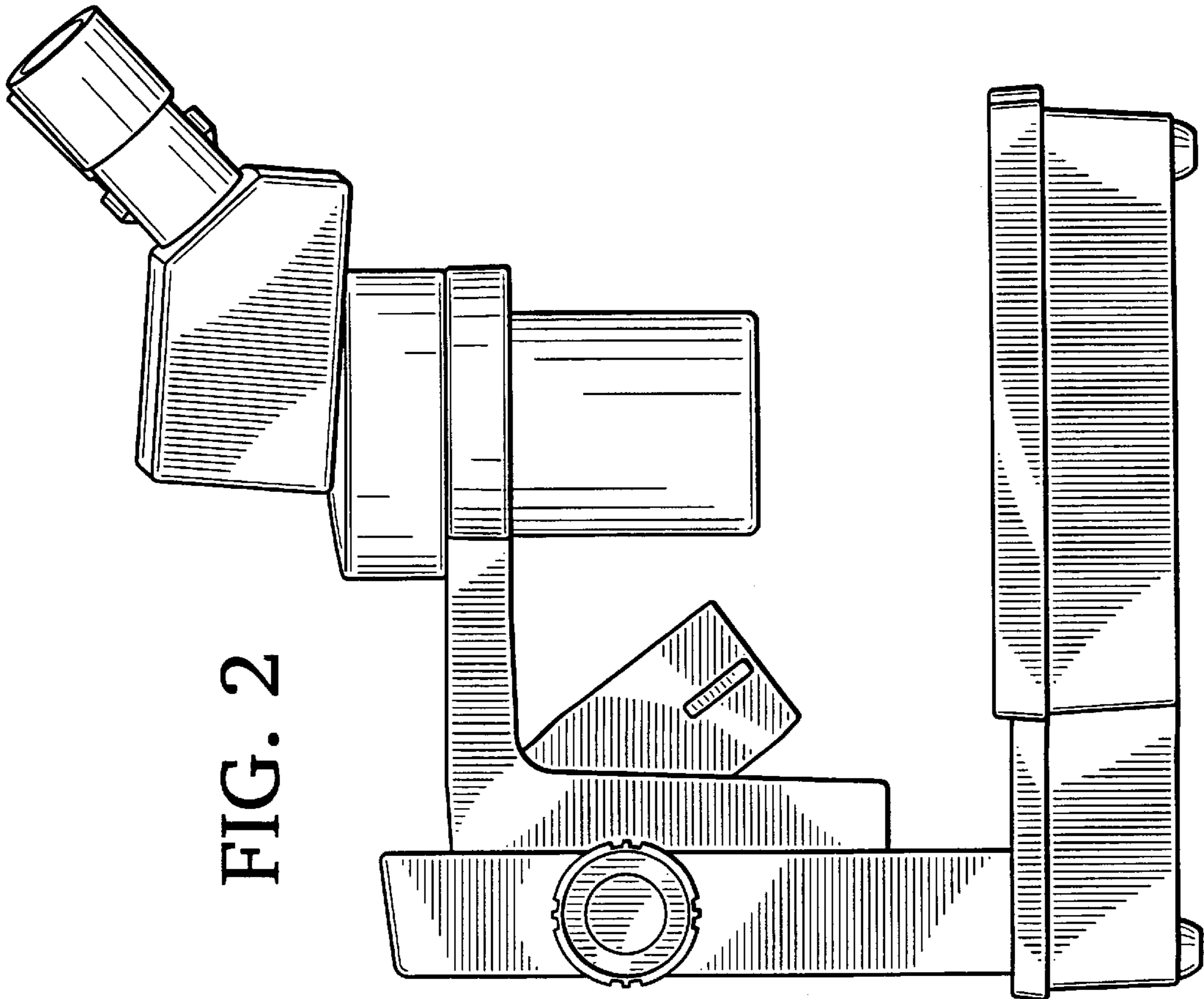


FIG. 2

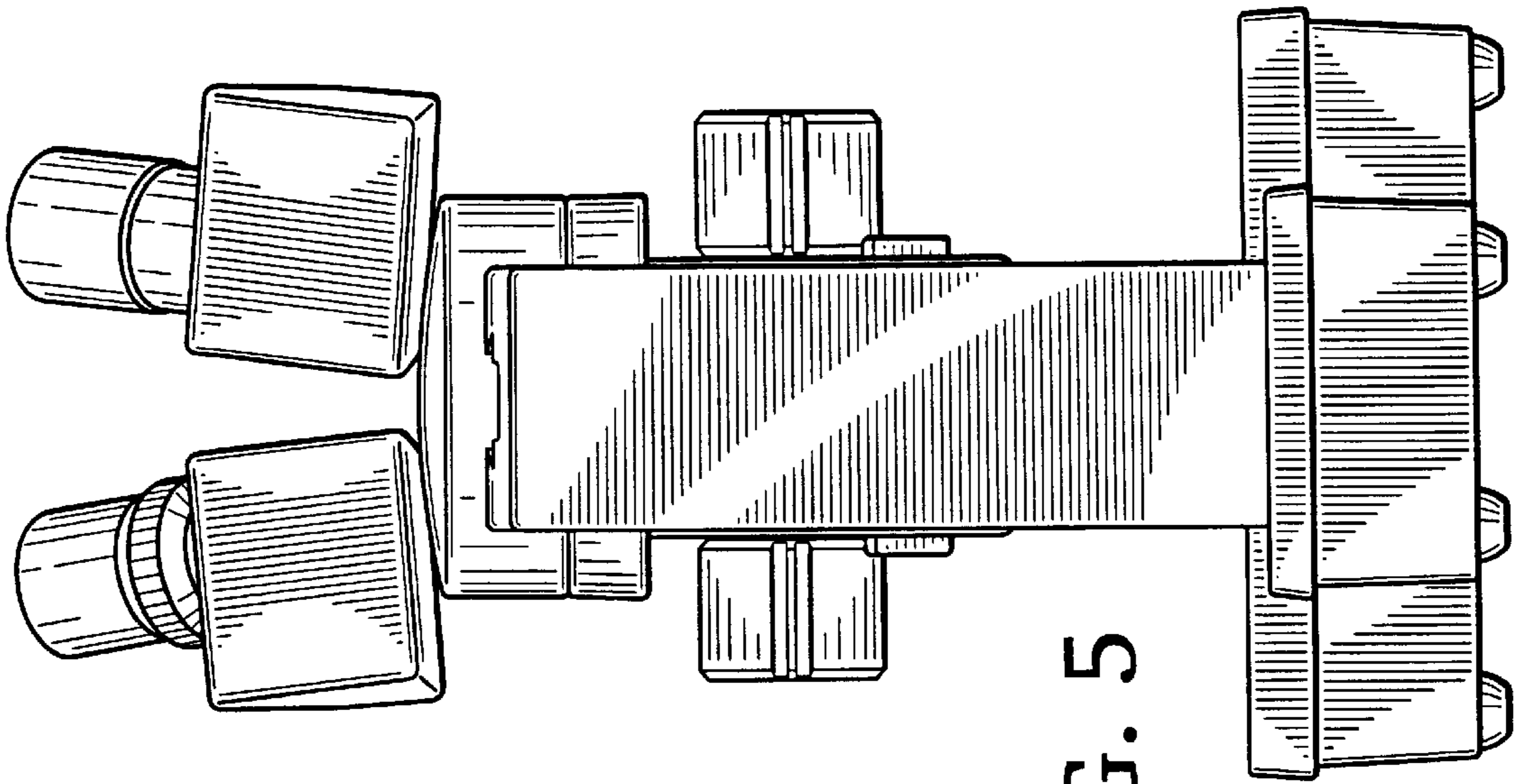


FIG. 5

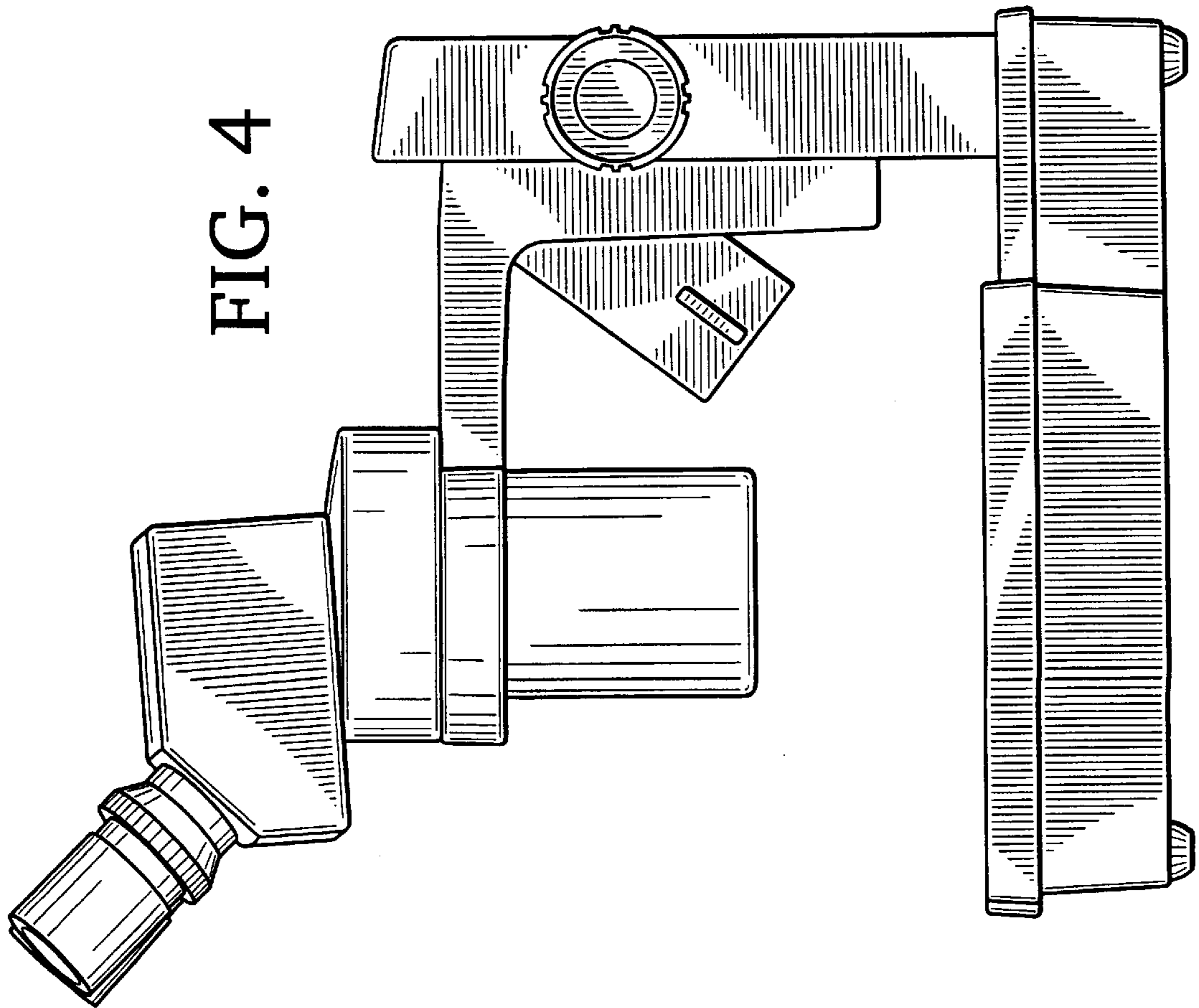


FIG. 4

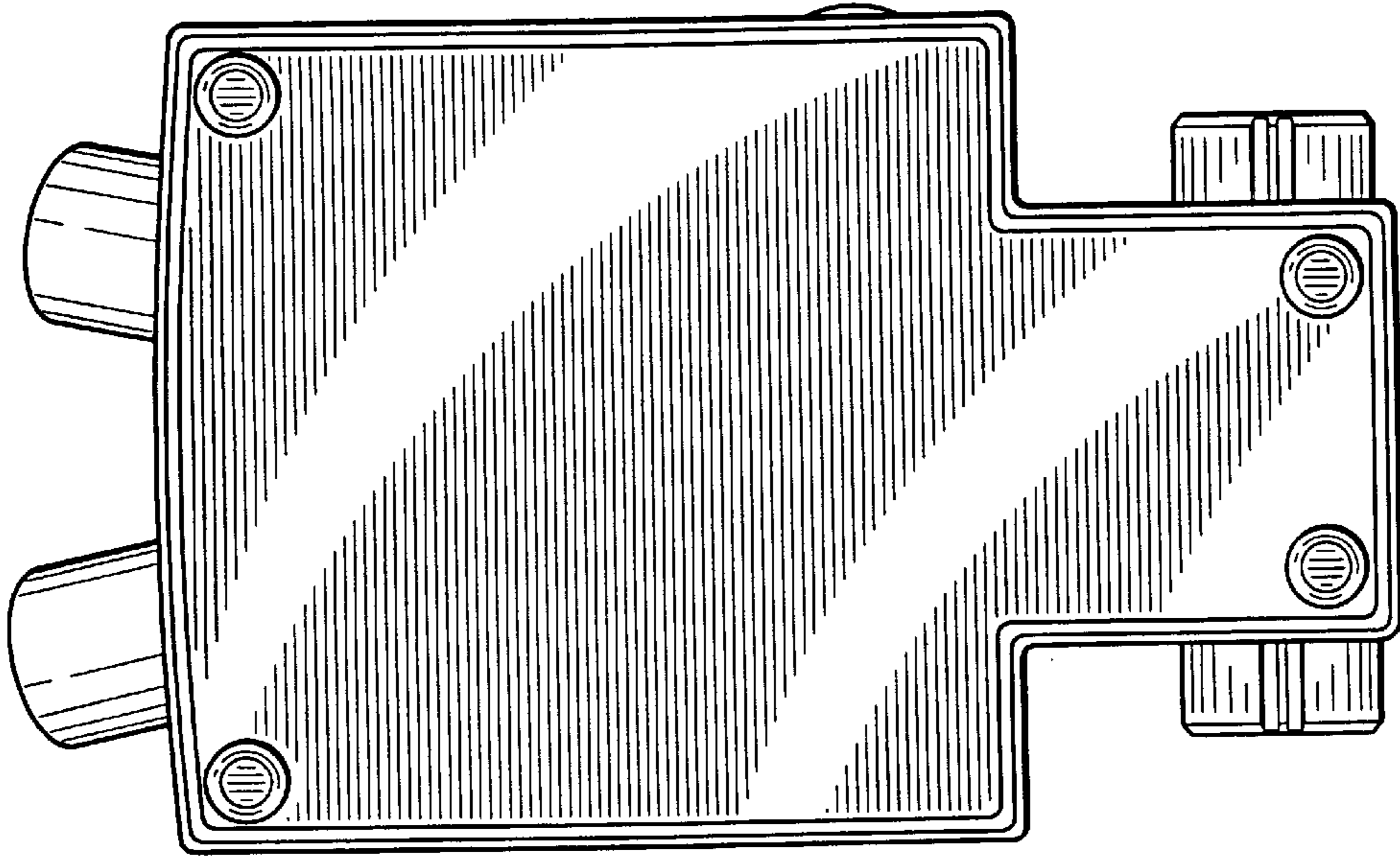


FIG. 6

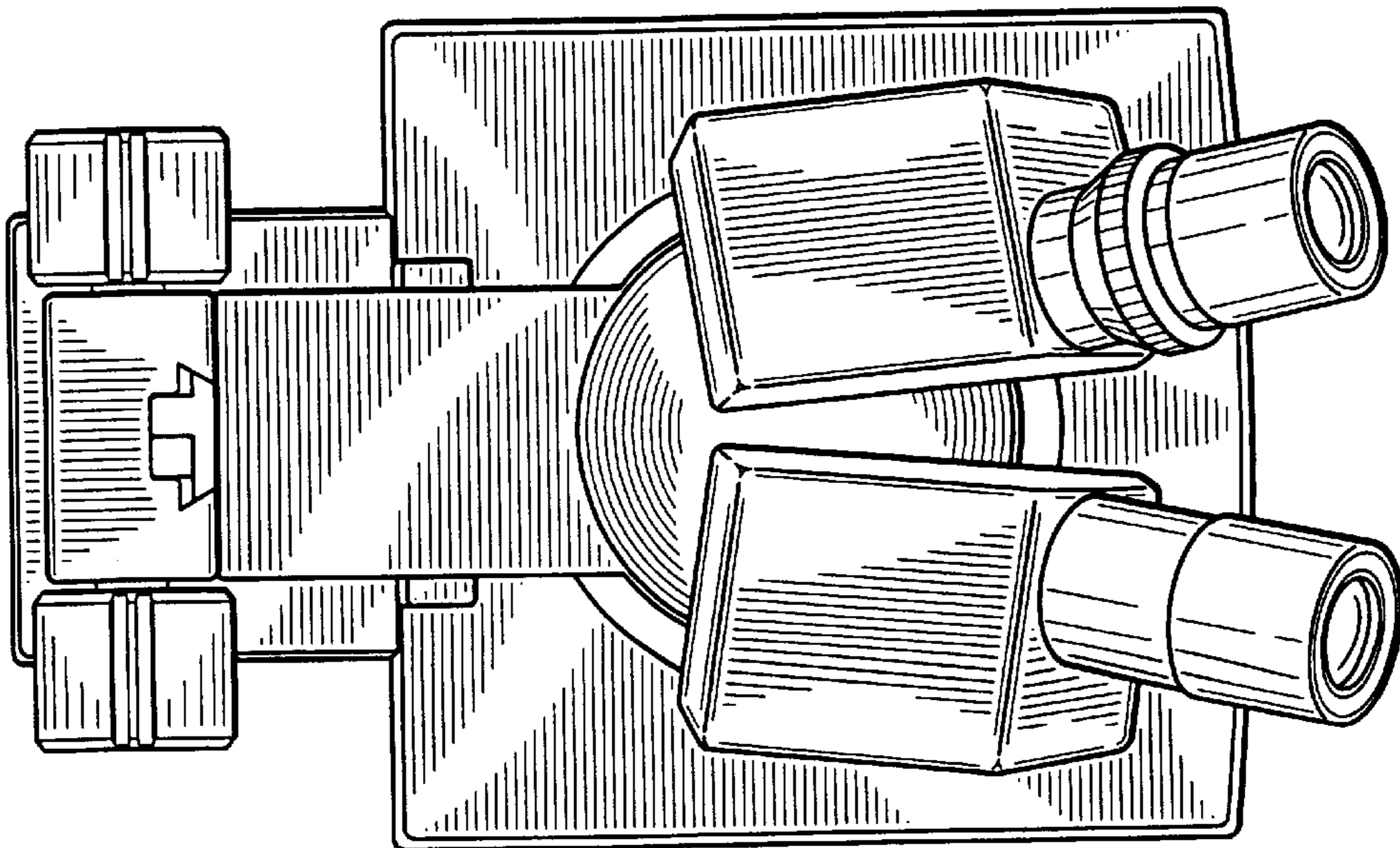


FIG. 7