



US00D440995S

(12) **United States Design Patent**
Tsergas et al.

(10) **Patent No.:** **US D440,995 S**

(45) **Date of Patent:** **** Apr. 24, 2001**

(54) **GEAR BOX**

5,573,091 * 11/1996 Hung 192/12 R

(75) Inventors: **A. N. (Tom) Tsergas**, Wood Dale;
Mohamed Kerdjoudj, Chicago, both of
IL (US)

* cited by examiner

Primary Examiner—Antoine Duval Davis
(74) *Attorney, Agent, or Firm*—Oblon, Spivak, McClelland,
Maier & Neustadt, P.C.

(73) Assignee: **Molon Motor & Coil Corporation**,
Rolling Meadows, IL (US)

(57) **CLAIM**

(**) Term: **14 Years**

The ornamental design for a gear box, as shown and
described.

(21) Appl. No.: **29/122,191**

DESCRIPTION

(22) Filed: **Apr. 21, 2000**

(51) **LOC (7) Cl.** **15-09**

FIG. 1 is a left side elevational view of a gear box showing
our new design.

(52) **U.S. Cl.** **D15/148**

FIG. 2 is a right side elevational view thereof.

(58) **Field of Search** D15/148, 149;
74/412 R, 414, 421 R; 251/248; 192/12 R,
12 D, 19, 143

FIG. 3 is a front end elevational view thereof.

FIG. 4 is a rear end elevational view thereof.

FIG. 5 is a top plan view thereof.

FIG. 6 is a bottom plan view thereof.

FIG. 7 is a front and upper left perspective view thereof; and,

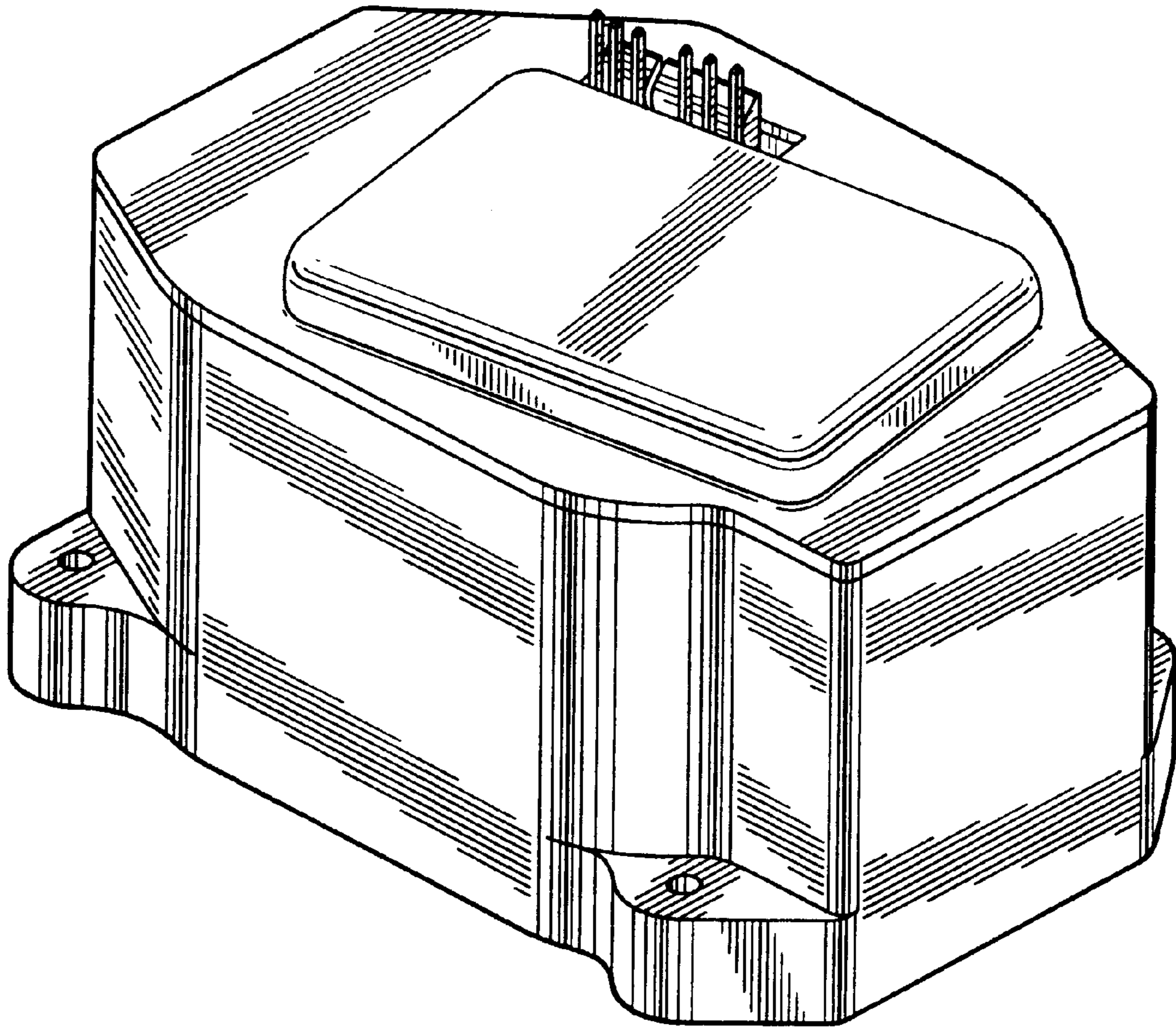
FIG. 8 is a bottom and lower left perspective view thereof.

(56) **References Cited**

U.S. PATENT DOCUMENTS

D. 400,220 * 10/1998 Nemoto et al. D15/148

1 Claim, 7 Drawing Sheets



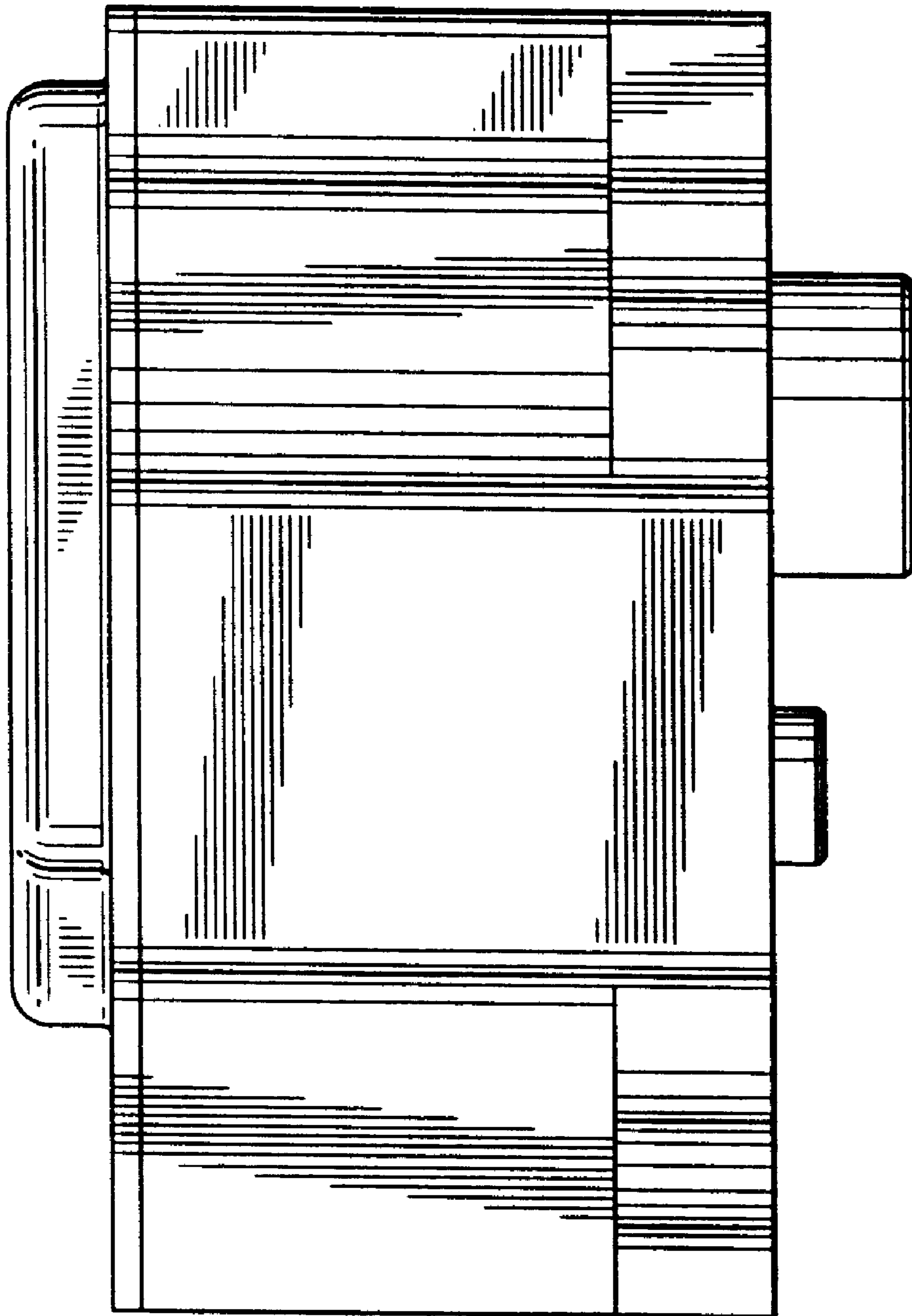


FIG. 1

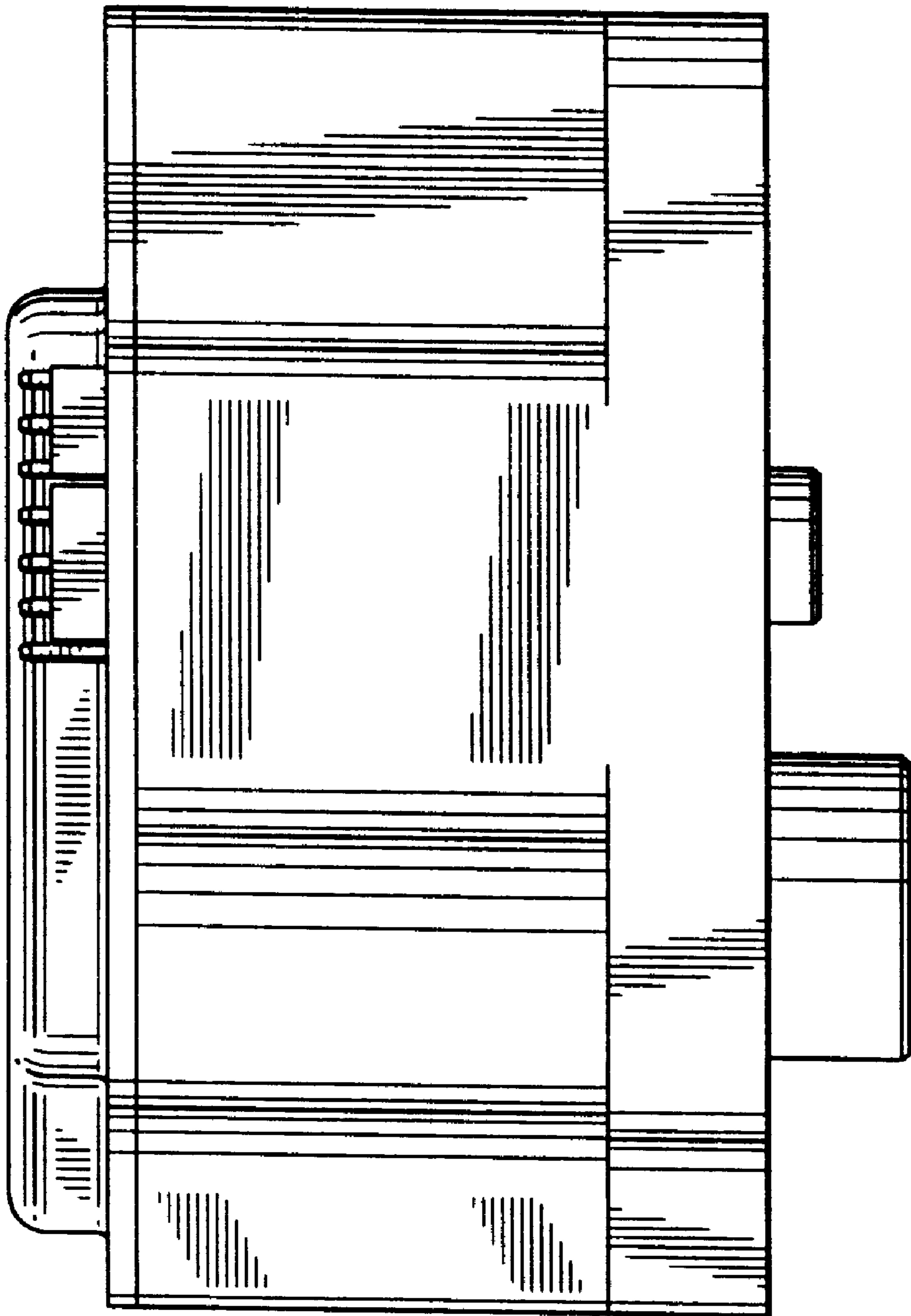


FIG. 2

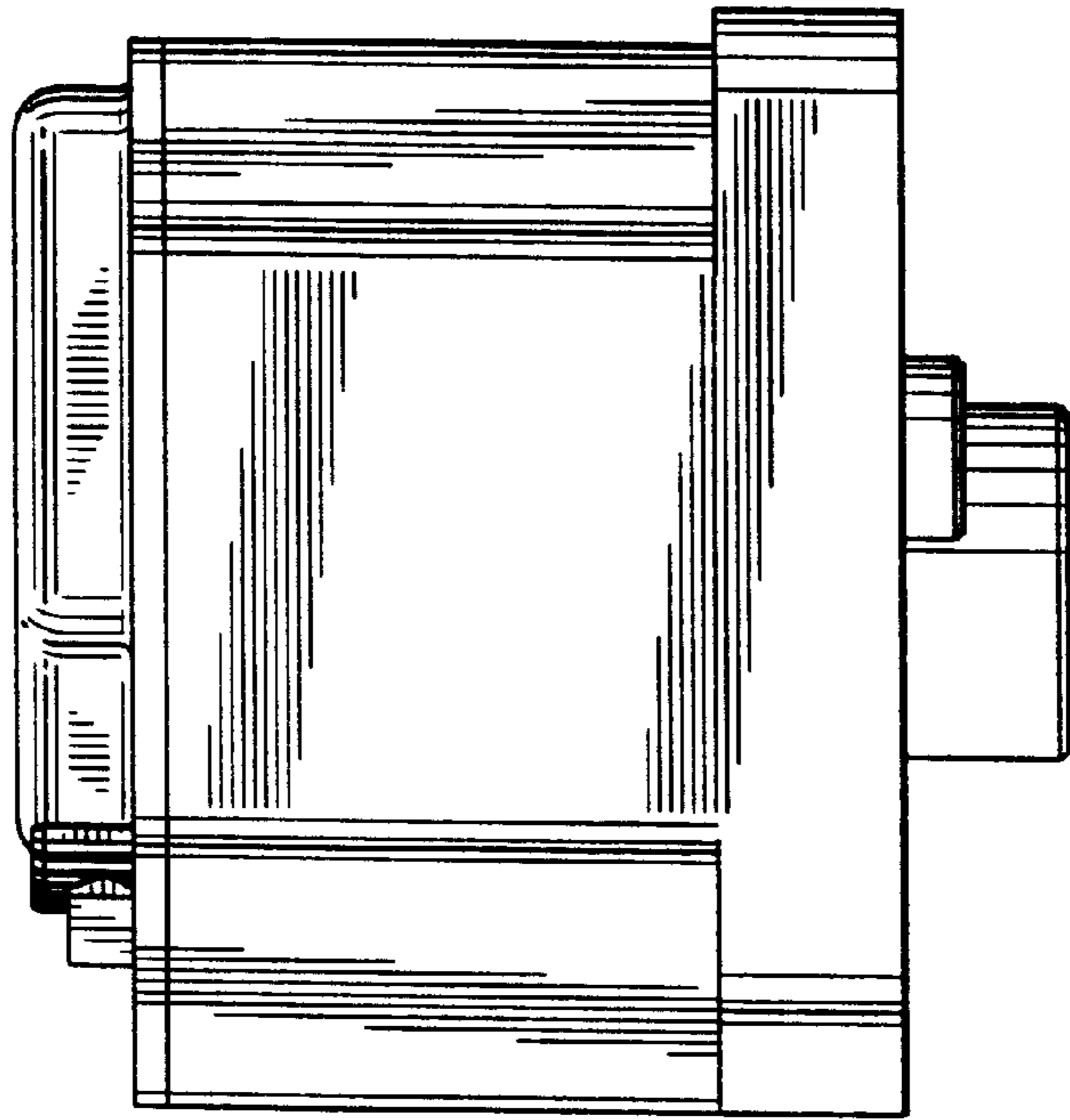


FIG. 4

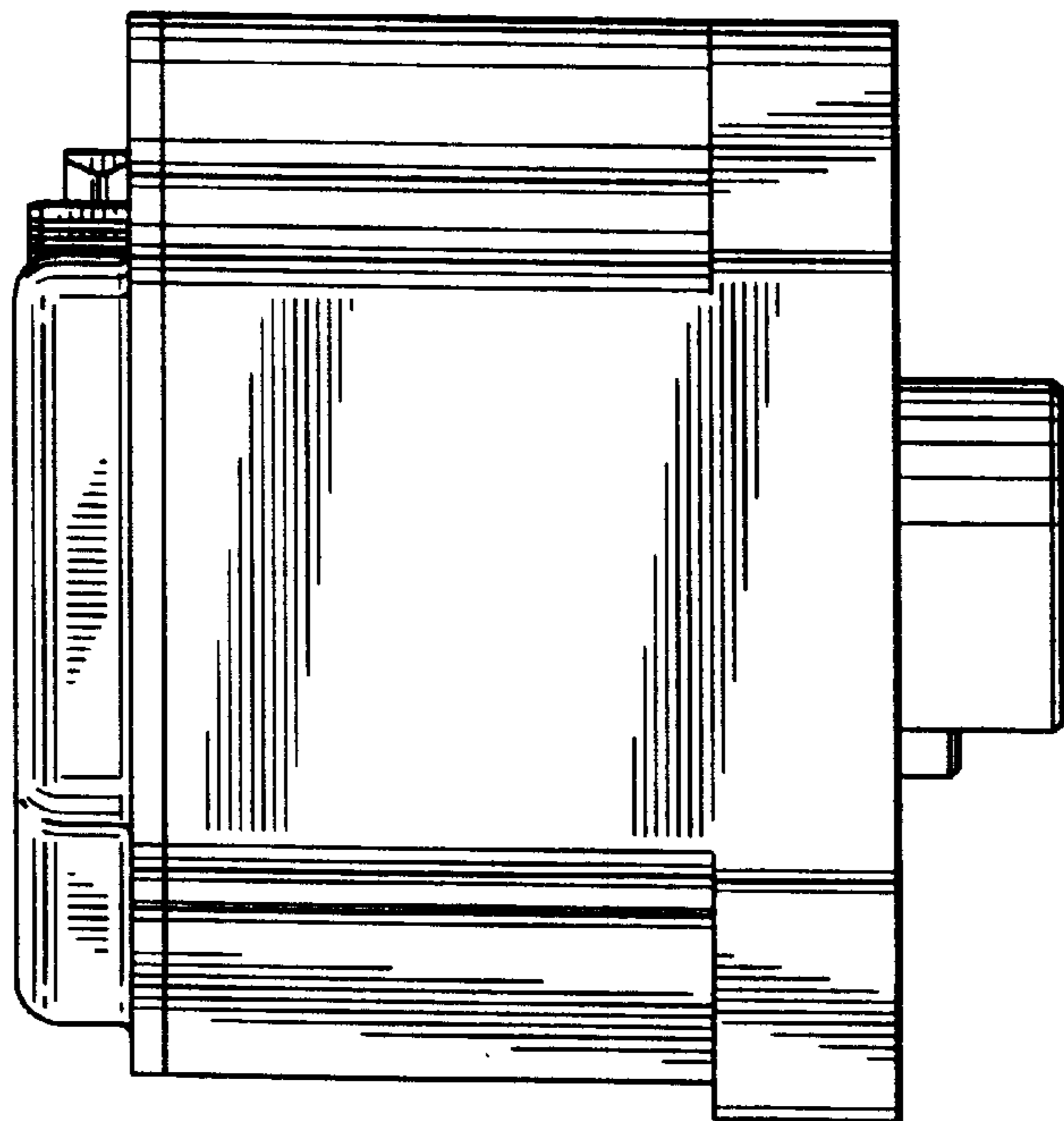


FIG. 3

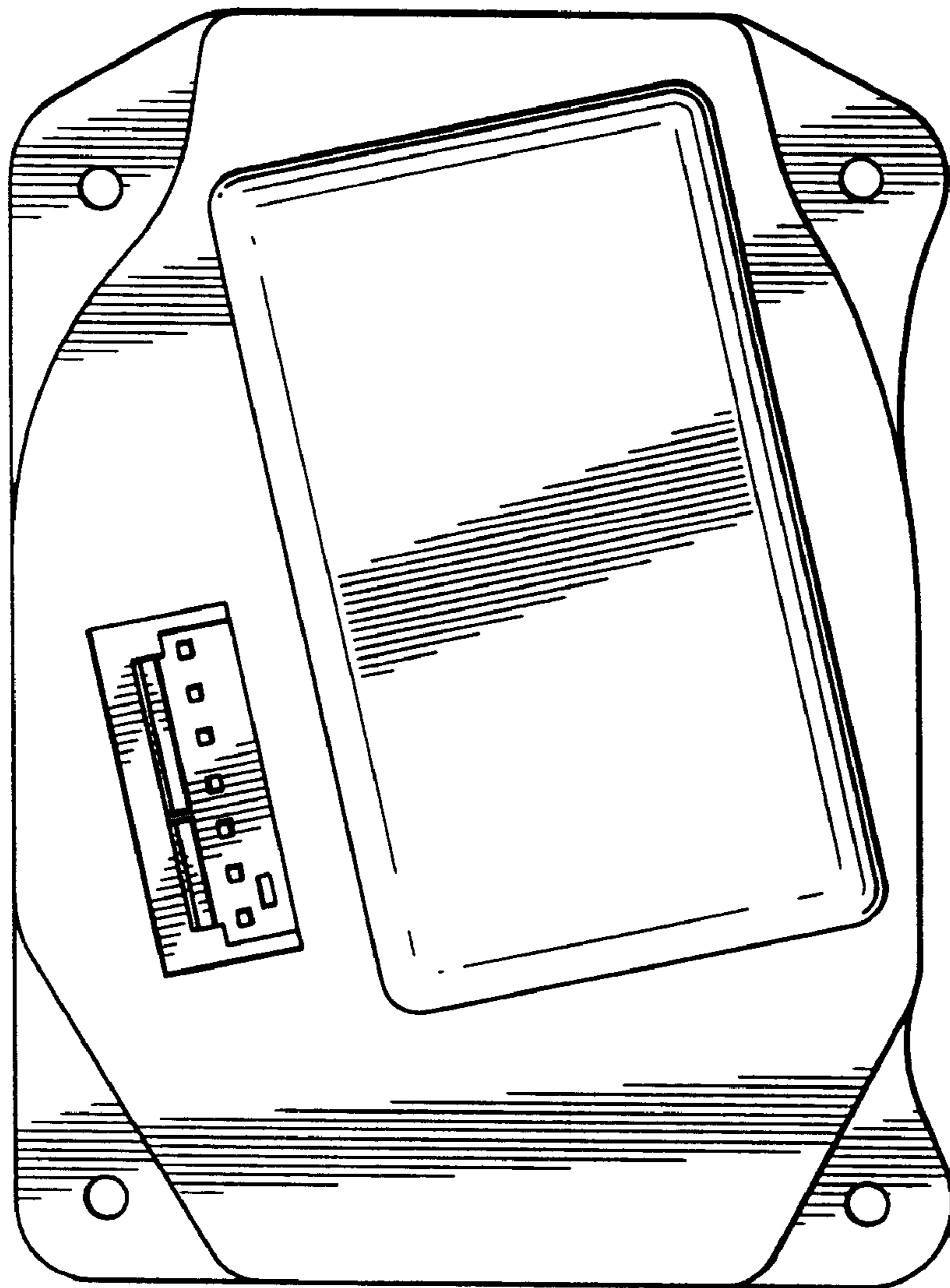


FIG. 5

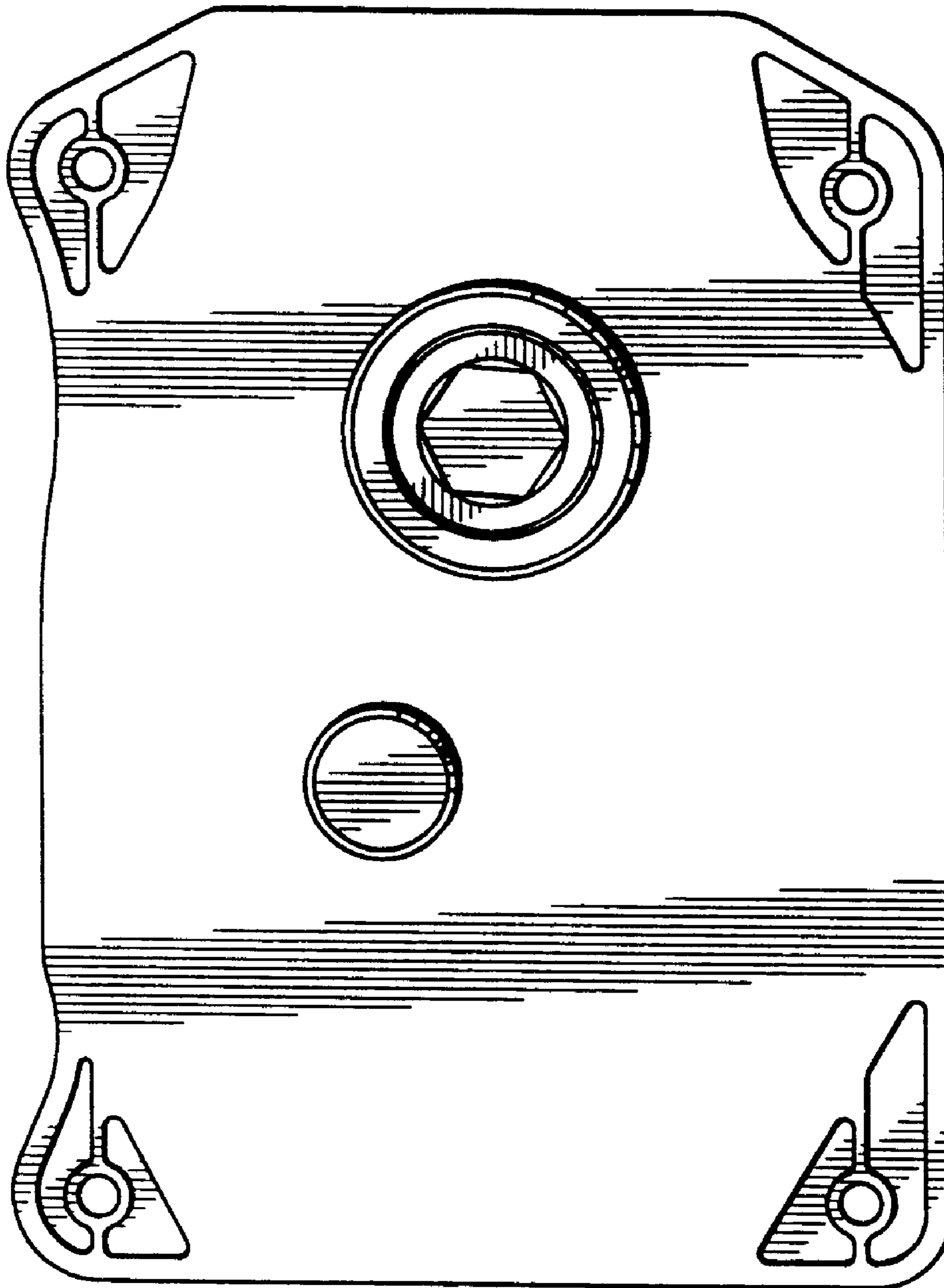


FIG. 6

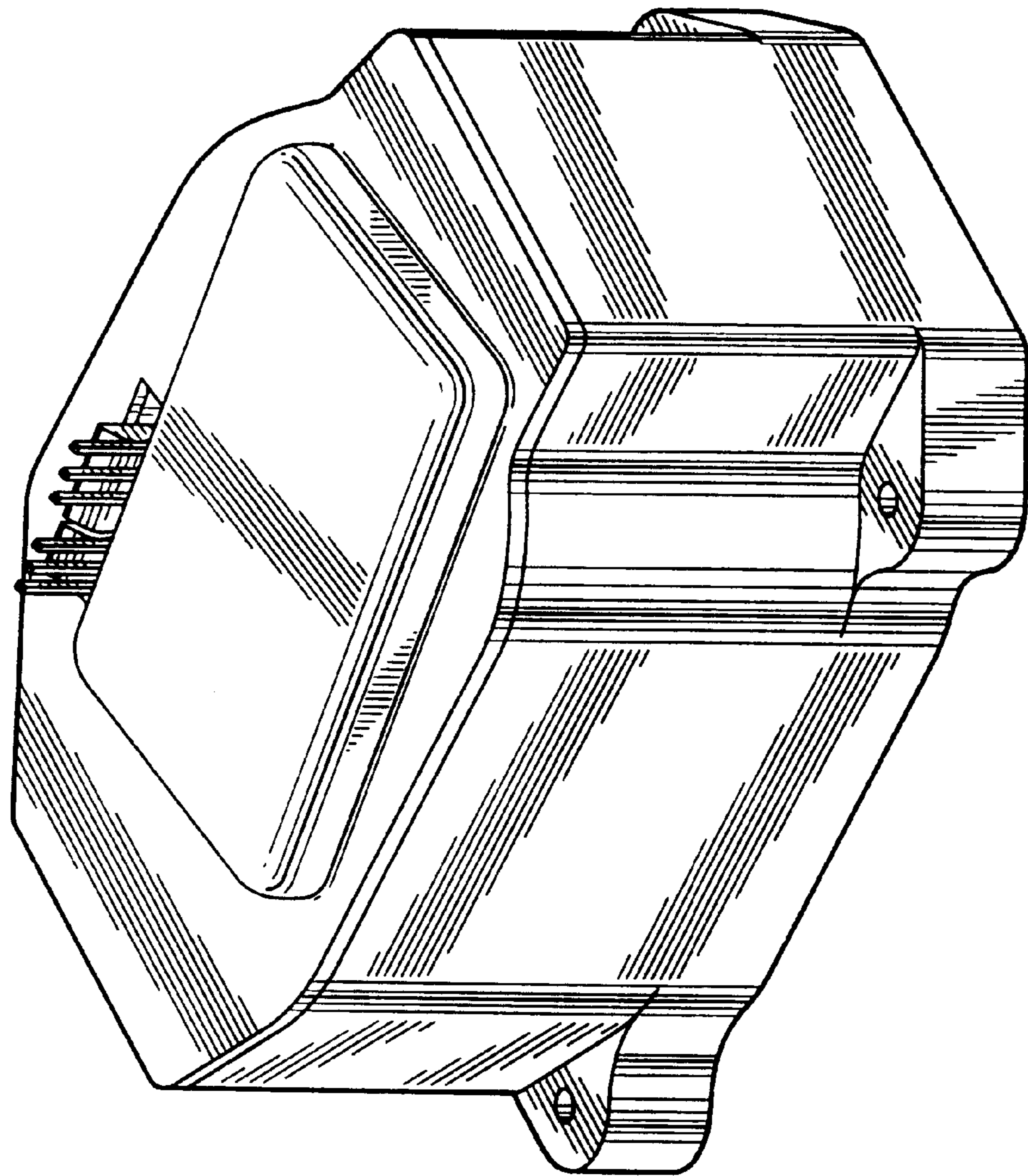


FIG. 7

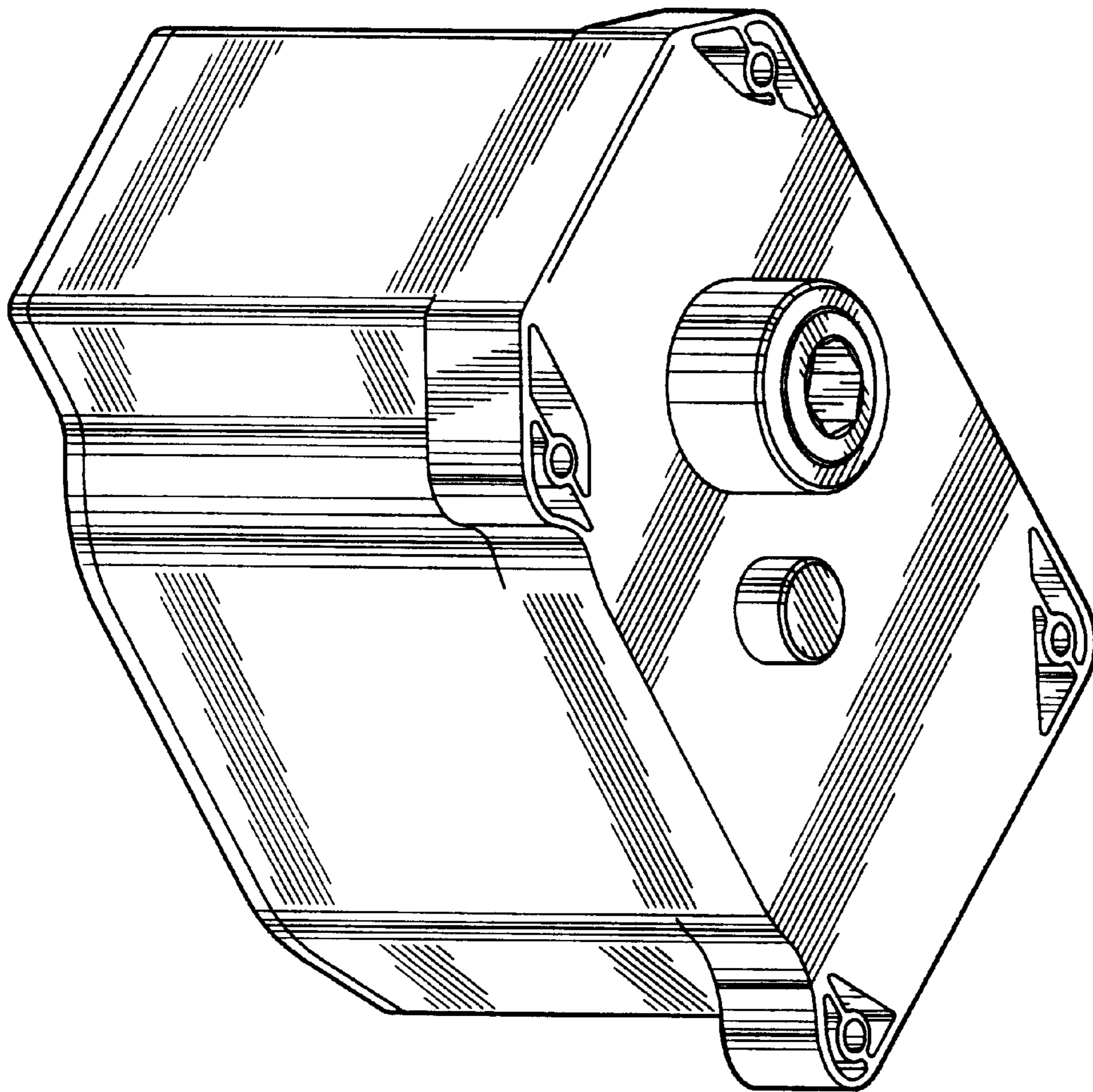


FIG. 8