



US00D440994S

(12) **United States Design Patent**
Ross, Jr.

(10) **Patent No.:** **US D440,994 S**

(45) **Date of Patent:** **** Apr. 24, 2001**

(54) **PARTIALLY SHROUDED GEAR ASSEMBLY FOR A GAUGE**

(75) **Inventor:** **Herbert G. Ross, Jr., Argyle, TX (US)**

(73) **Assignee:** **Rochester Gauges, Inc., Dallas, TX (US)**

(**) **Term:** **14 Years**

(21) **Appl. No.:** **29/120,989**

(22) **Filed:** **Mar. 28, 2000**

(51) **LOC (7) Cl.** **15-09**

(52) **U.S. Cl.** **D15/148; D10/101**

(58) **Field of Search** **D10/101, 148; 73/290, 350, 305, 317, 866.3**

(56) **References Cited**

U.S. PATENT DOCUMENTS

D. 431,483	*	10/2000	Housey	D10/101
2,992,560		7/1961	Morgan et al.	73/317
3,320,922	*	5/1967	Taylor et al.	D10/101 X
3,463,843		8/1969	Taylor et al.	264/68
3,688,795		9/1972	Taylor	137/558
4,362,056		12/1982	Lee	73/317
4,402,209		9/1983	Di Domenico	73/1 H
4,483,367		11/1984	Ross, Jr. et al.	137/416
4,688,028		8/1987	Conn	340/625
4,911,011		3/1990	Fekete et al.	73/313
4,987,400		1/1991	Fekete	338/164

5,023,806	6/1991	Patel	364/509
5,072,618	12/1991	Taylor et al.	73/317
5,117,693	6/1992	Duksa	73/317
5,305,639	4/1994	Pontefract	73/317
5,311,776	5/1994	Morris	73/306
5,357,815	10/1994	Williamson	73/866.3

OTHER PUBLICATIONS

U.S. Application Ser. No. 09/109,437, filed Jul. 2, 1998.

* cited by examiner

Primary Examiner—Antoine Duval Davis

(74) *Attorney, Agent, or Firm*—Sidley & Austin

(57) **CLAIM**

The ornamental design for a partially shrouded gear assembly for a gauge, as shown and described.

DESCRIPTION

FIG. 1 is a perspective view of a partially shrouded gear assembly for a gauge showing my new design;

FIG. 2 is a front view thereof;

FIG. 3 is a top view thereof;

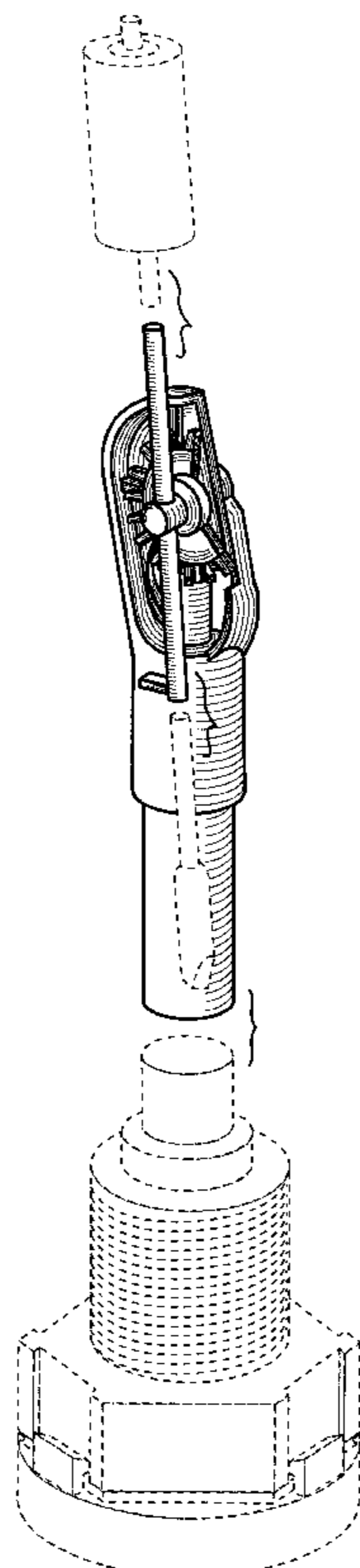
FIG. 4 is a back view thereof;

FIG. 5 is a right side view thereof; and,

FIG. 6 is a left side view thereof.

The broken line showings of the float, counter-weight, and gauge indicator portions of the gauge, in FIGS. 1–6, depict environment and are not part of the claimed design.

1 Claim, 5 Drawing Sheets



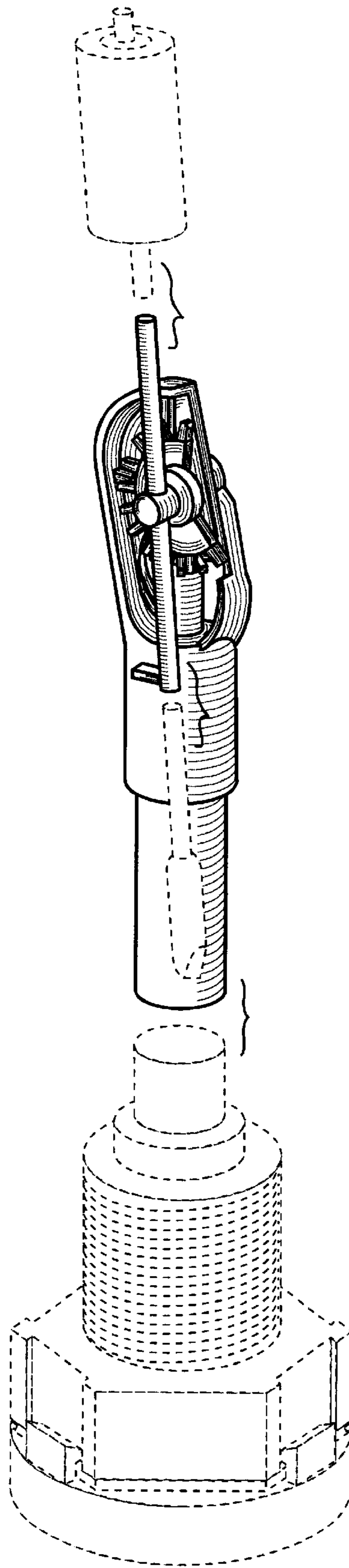


FIG. 1

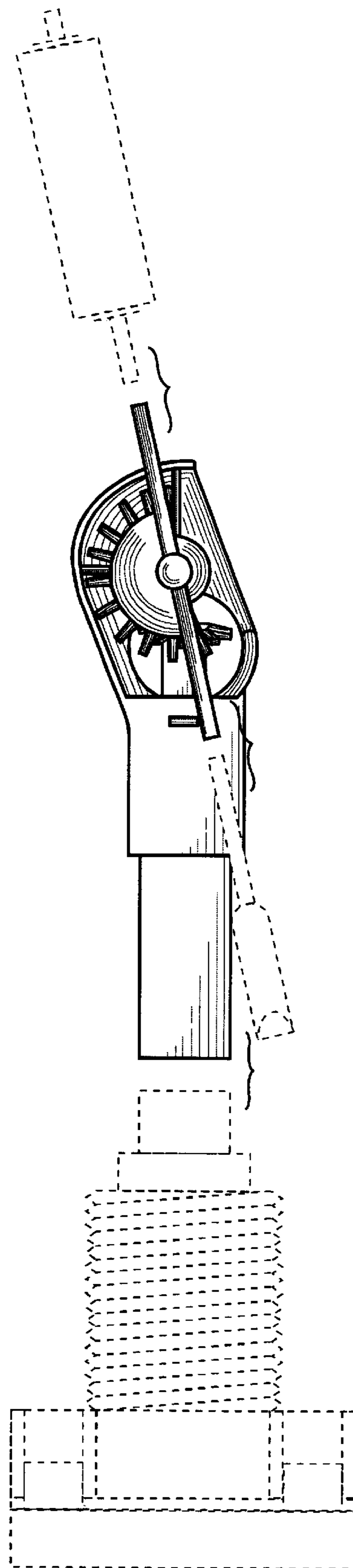


FIG. 2

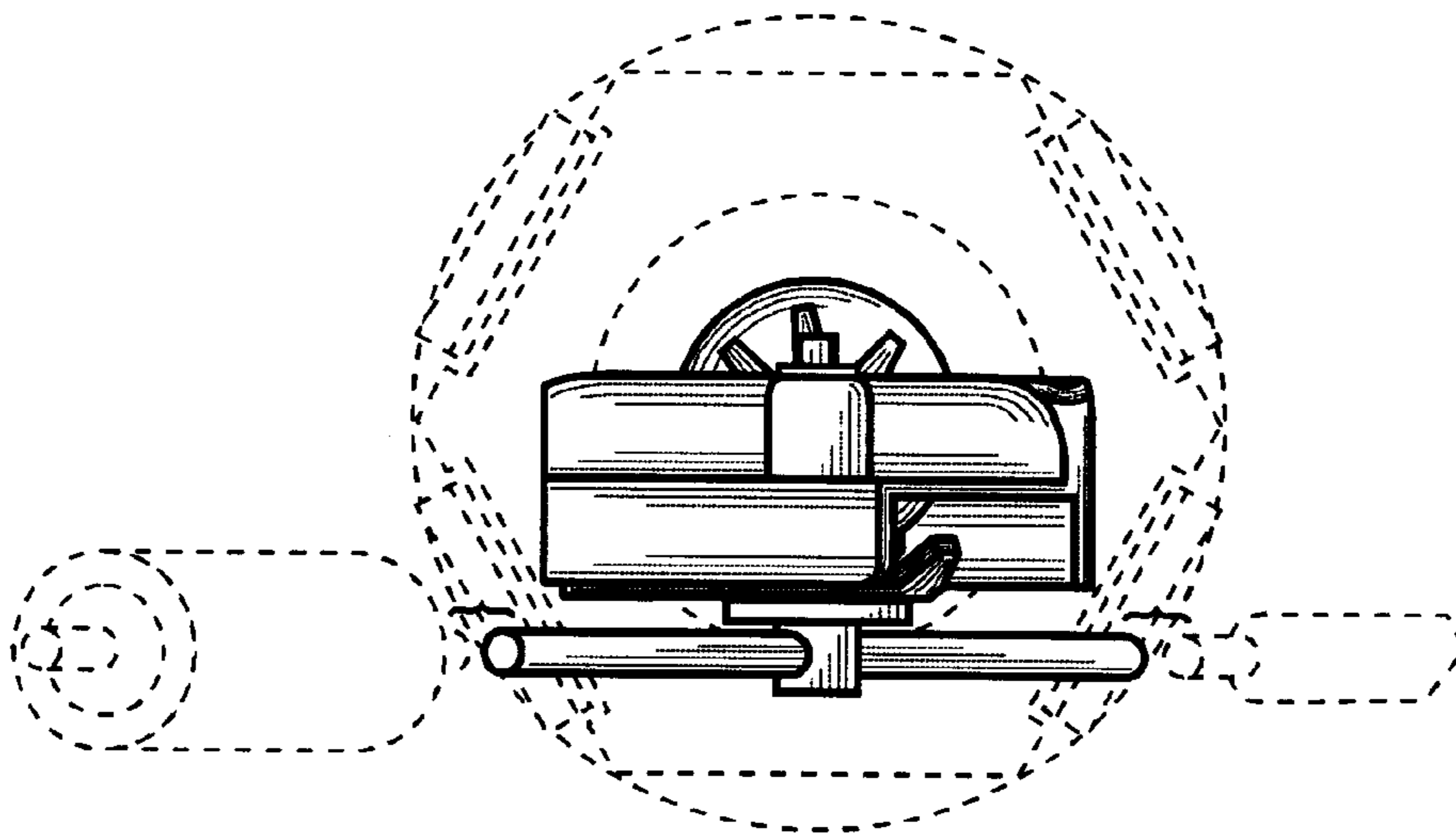


FIG. 3

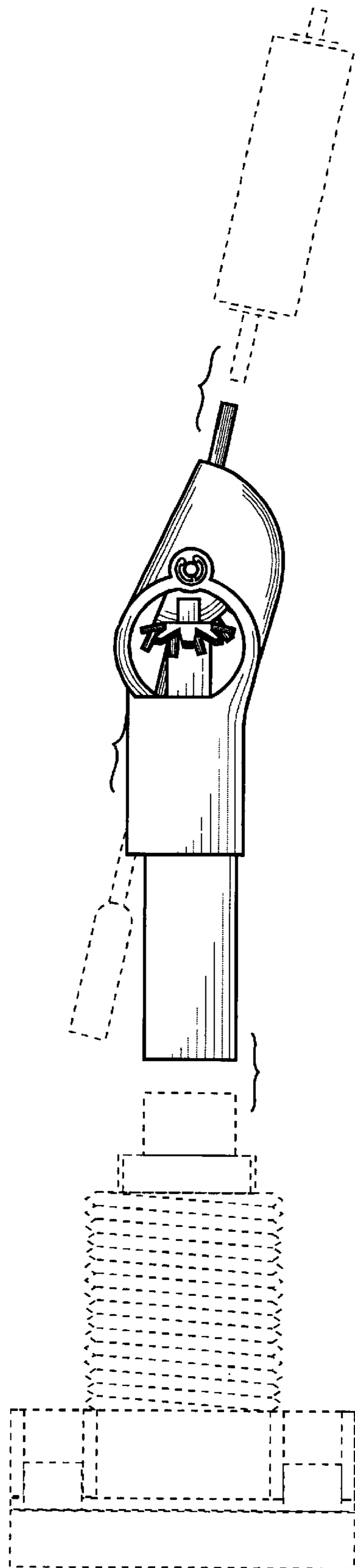


FIG. 4

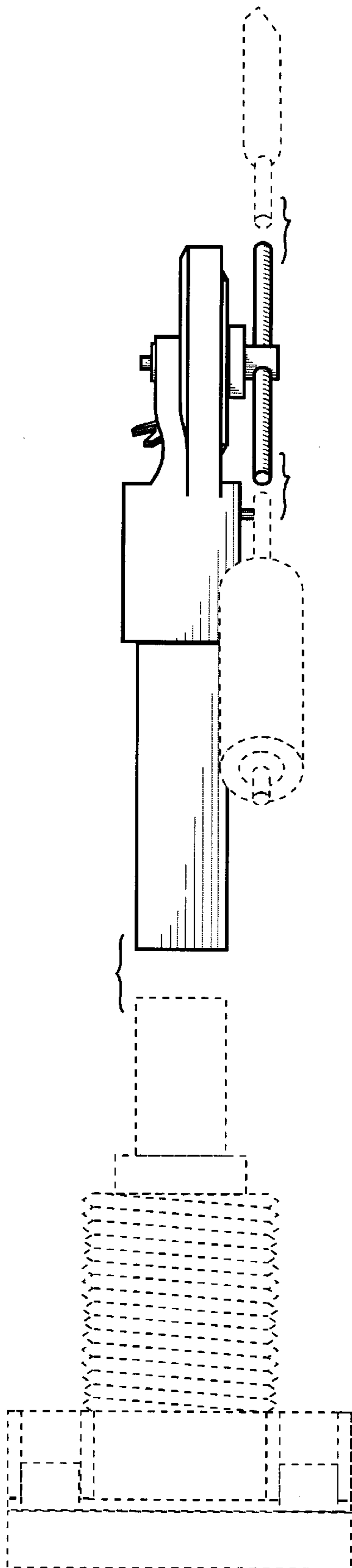


FIG. 5

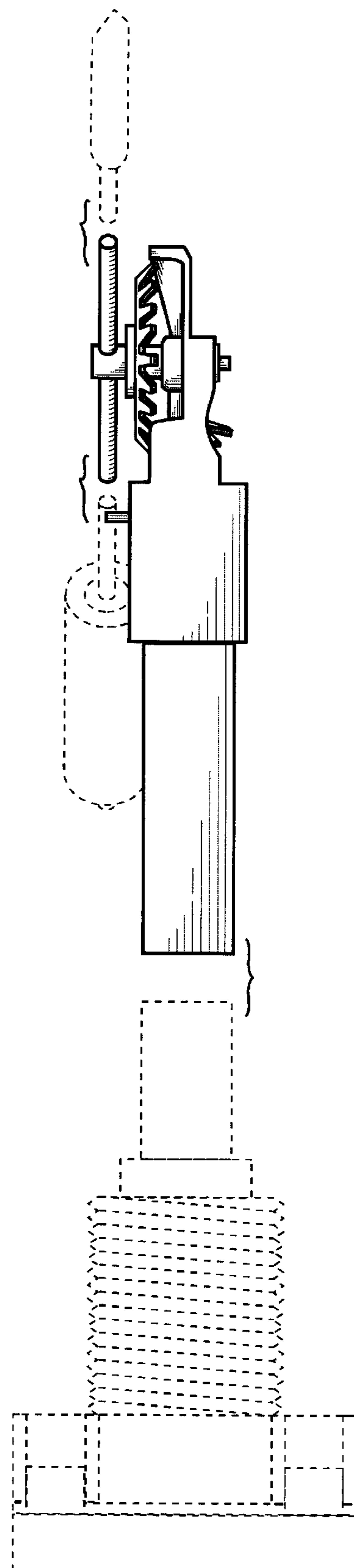


FIG. 6

UNITED STATES PATENT AND TRADEMARK OFFICE
CERTIFICATE OF CORRECTION

PATENT NO. : Des 440,994 S
DATED : April 24, 2001
INVENTOR(S) : Herbert G. Ross, Jr.

Page 1 of 1

It is certified that error appears in the above-identified patent and that said Letters Patent is hereby corrected as shown below:

Title page,

Line 9, in the "DESCRIPTION" delete "guage indicator portions of the guage", and insert -- gauge indicator portions of the gauge --.

Signed and Sealed this
Sixth Day of November, 2001

Attest:

Nicholas P. Godici

Attesting Officer

NICHOLAS P. GODICI
Acting Director of the United States Patent and Trademark Office