



US00D440992S

(12) **United States Design Patent**  
**Parson et al.**

(10) **Patent No.:** **US D440,992 S**

(45) **Date of Patent:** **\*\* Apr. 24, 2001**

(54) **LAMINATOR**

(75) Inventors: **William E. Parson**, Indian Trail;  
**Matthew Shannon**, Troutman; **David Edward Humphries**, Waxhaw, all of NC (US); **Daniel Leland Bragg**, Peachtree City, GA (US)

(73) Assignee: **D&K Laminex, Inc.**, Charlotte, NC (US)

(\*\*) Term: **14 Years**

(21) Appl. No.: **29/125,335**

(22) Filed: **Jun. 22, 2000**

(51) **LOC (7) Cl.** ..... **15-09**

(52) **U.S. Cl.** ..... **D15/146**

(58) **Field of Search** ..... D15/146, 145;  
156/555, 580, 582, 583.1; 100/155 R, 160,  
175

(56) **References Cited**

**U.S. PATENT DOCUMENTS**

- D. 267,327 \* 12/1982 Shaffer ..... D15/146
- D. 358,826 \* 5/1995 Kuhns ..... D15/146
- 6,131,636 \* 10/2000 Anderson et al. .... 156/555

\* cited by examiner

*Primary Examiner*—Antoine Duval Davis  
(74) *Attorney, Agent, or Firm*—Wallenstein and Wagner, Ltd.

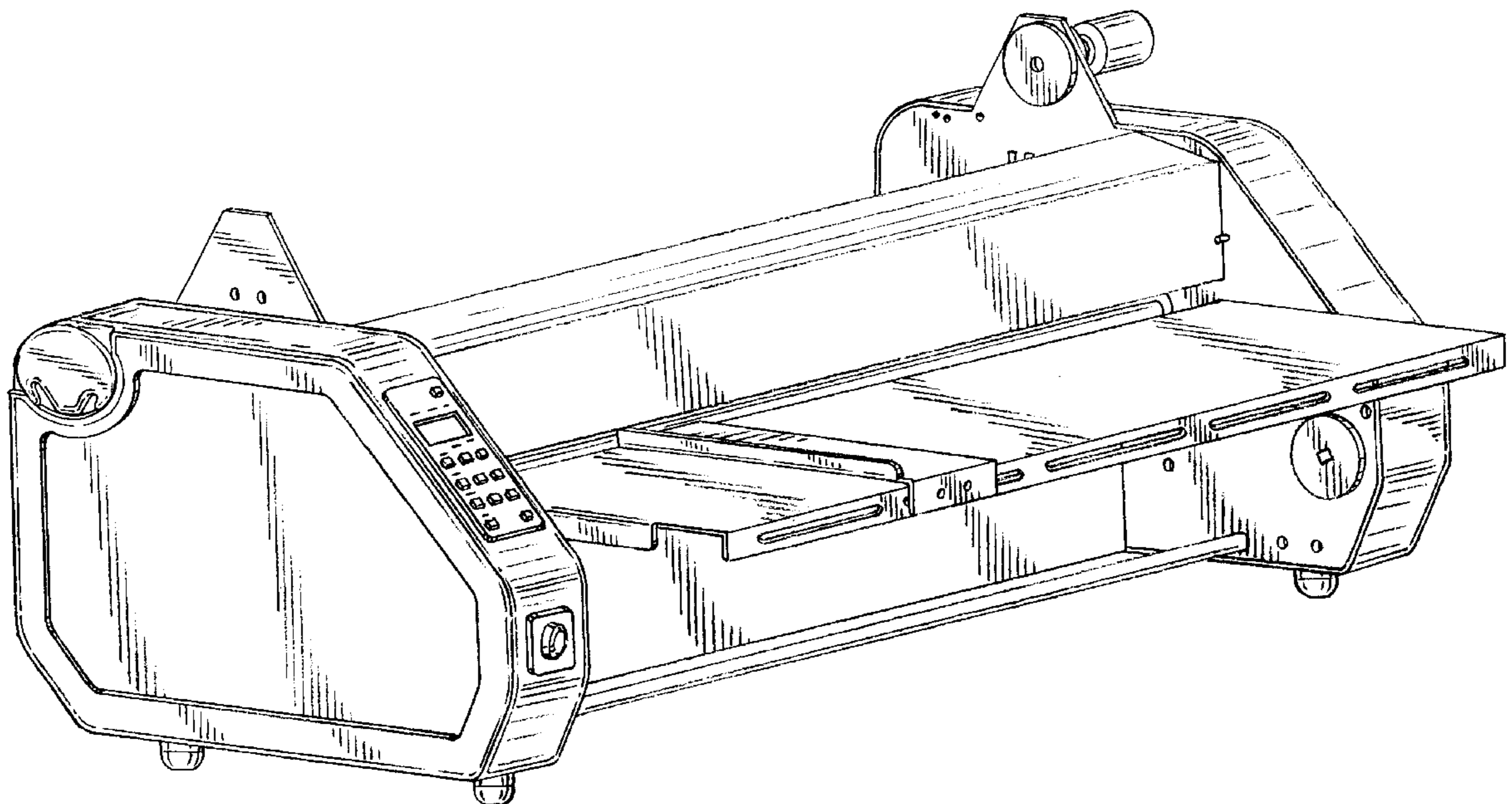
(57) **CLAIM**

The ornamental design for a laminator, as shown and described.

**DESCRIPTION**

FIG. 1 is a perspective view of a laminator showing our new design;  
 FIG. 2 is a top plan view thereof;  
 FIG. 3 is a bottom plan view thereof;  
 FIG. 4 is a left side elevational view thereof;  
 FIG. 5 is a right side elevational view thereof;  
 FIG. 6 is a front view thereof;  
 FIG. 7 is a rear view thereof;  
 FIG. 8 is a perspective view of an alternative embodiment of a laminator showing our new design;  
 FIG. 9 is a top plan view thereof;  
 FIG. 10 is a bottom plan view thereof;  
 FIG. 11 is a left side elevational view thereof;  
 FIG. 12 is a right side elevational view thereof;  
 FIG. 13 is a front view thereof; and,  
 FIG. 14 is a rear view thereof.

**1 Claim, 10 Drawing Sheets**



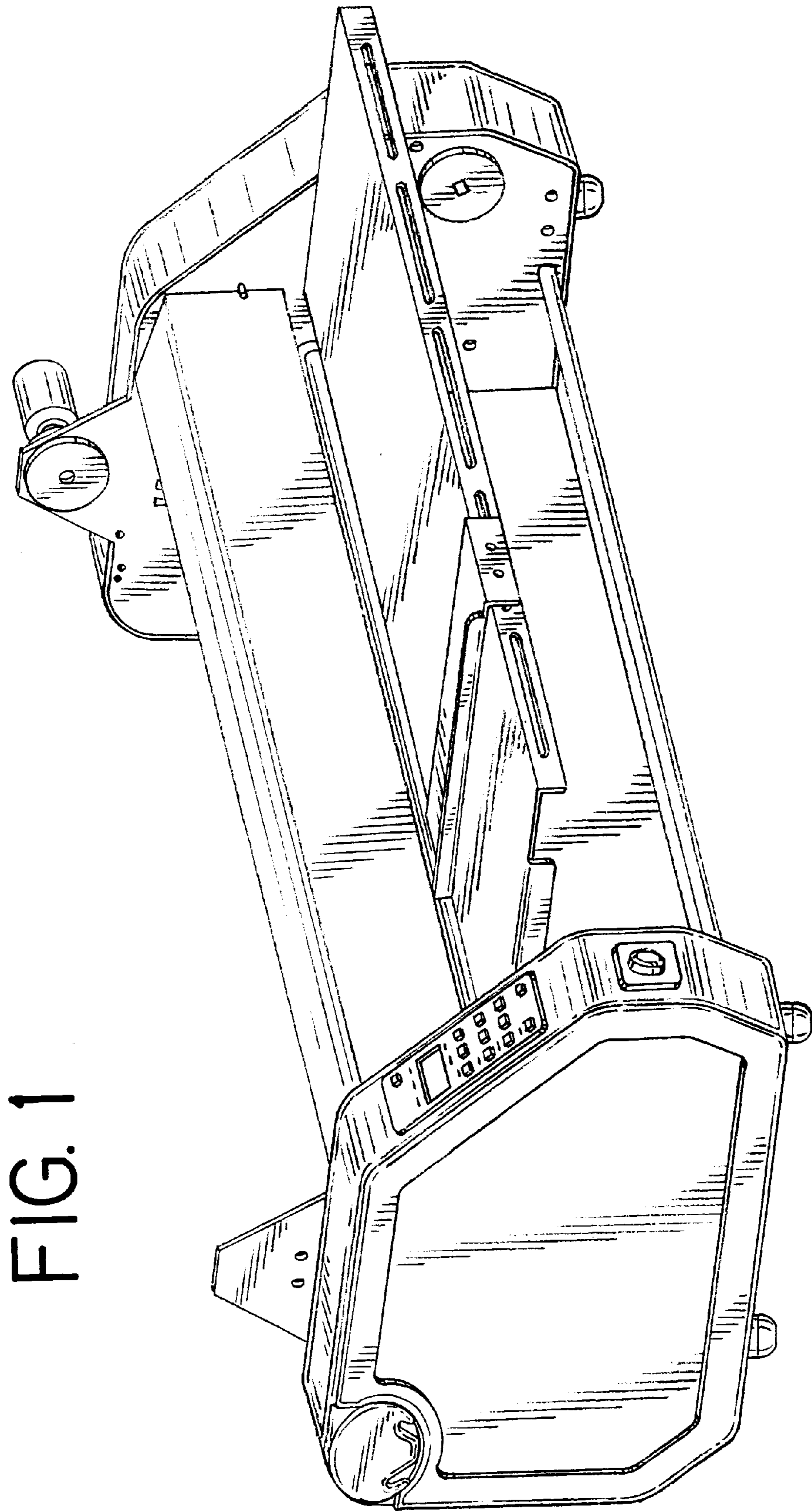


FIG. 1

FIG. 2

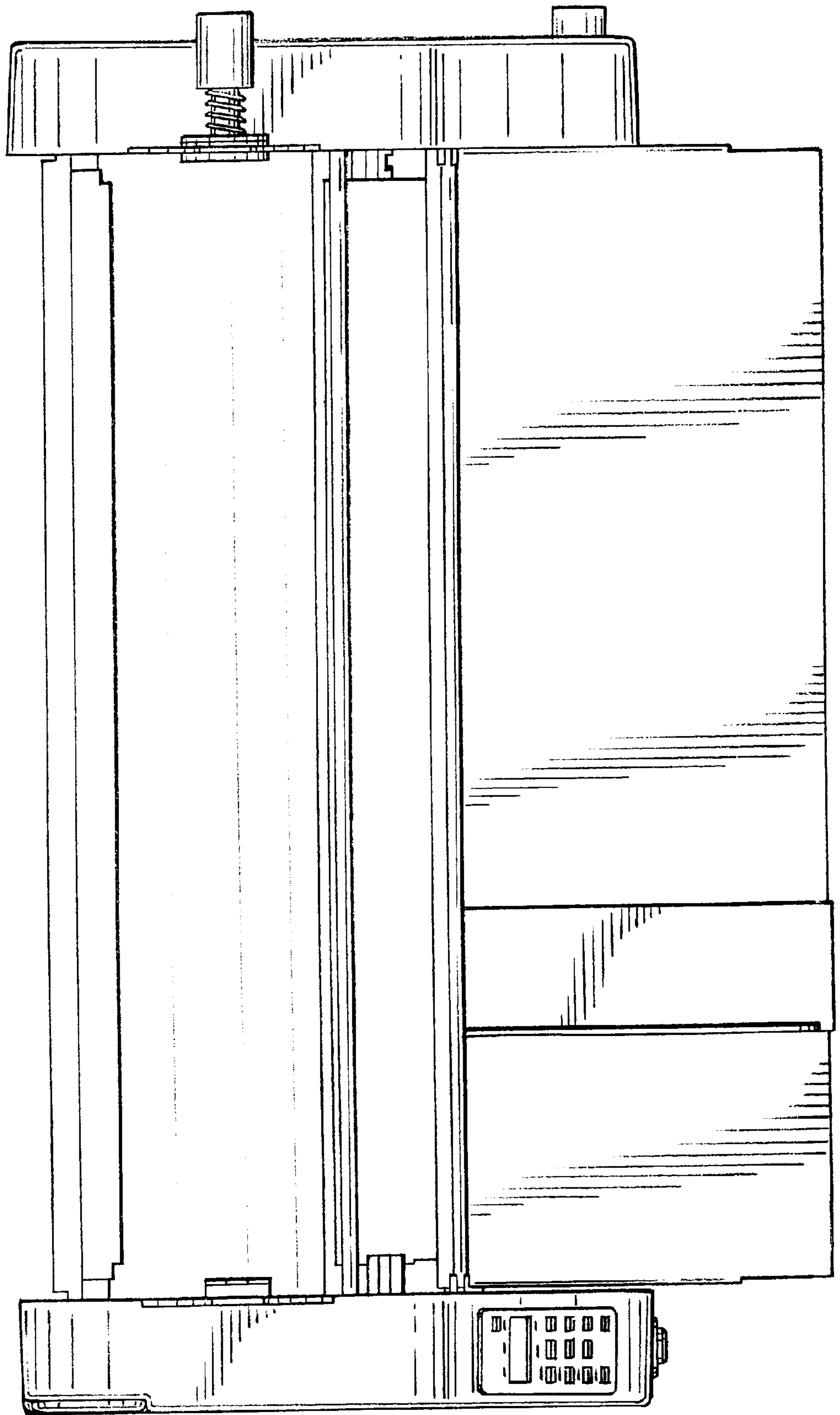


FIG. 3

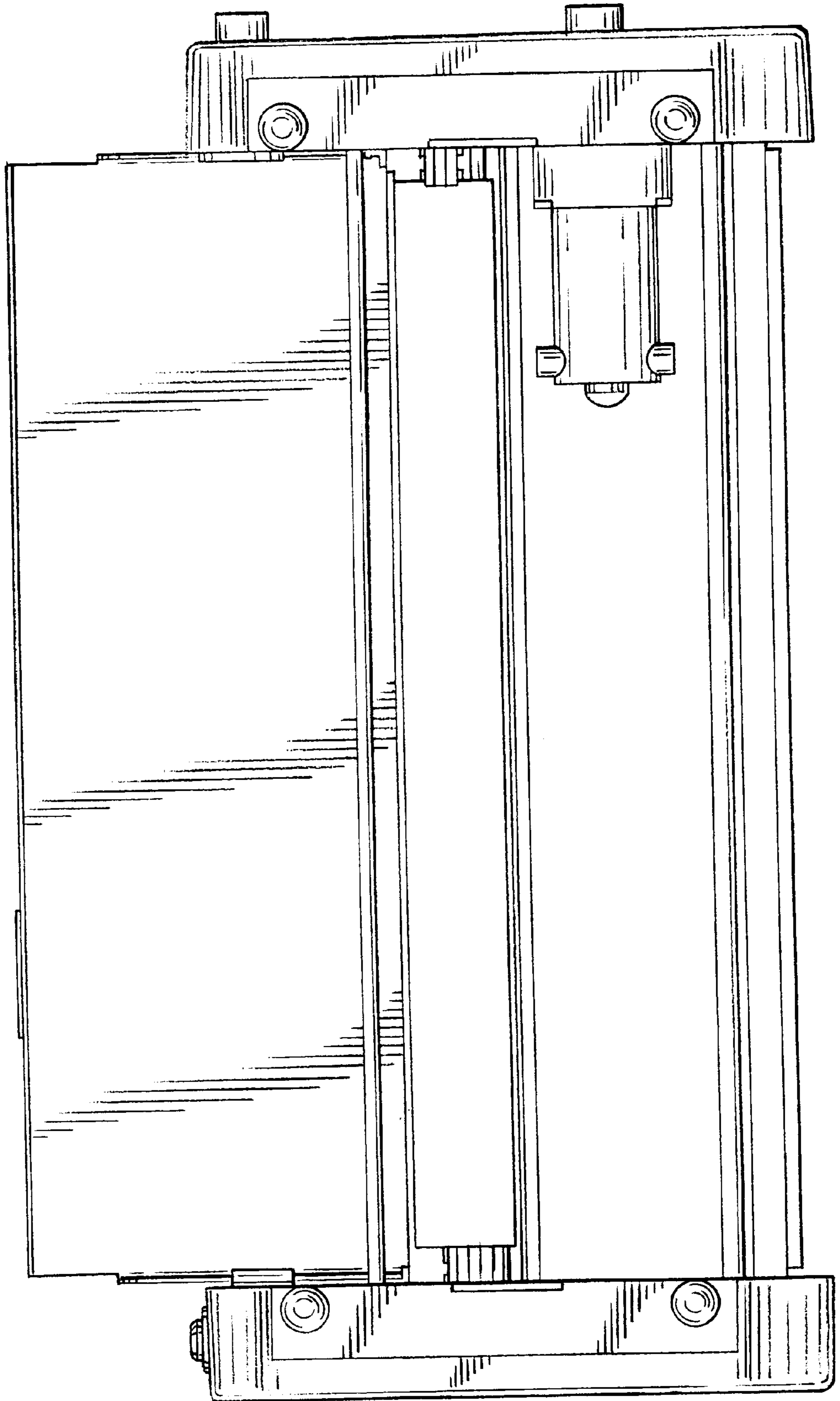


FIG. 4

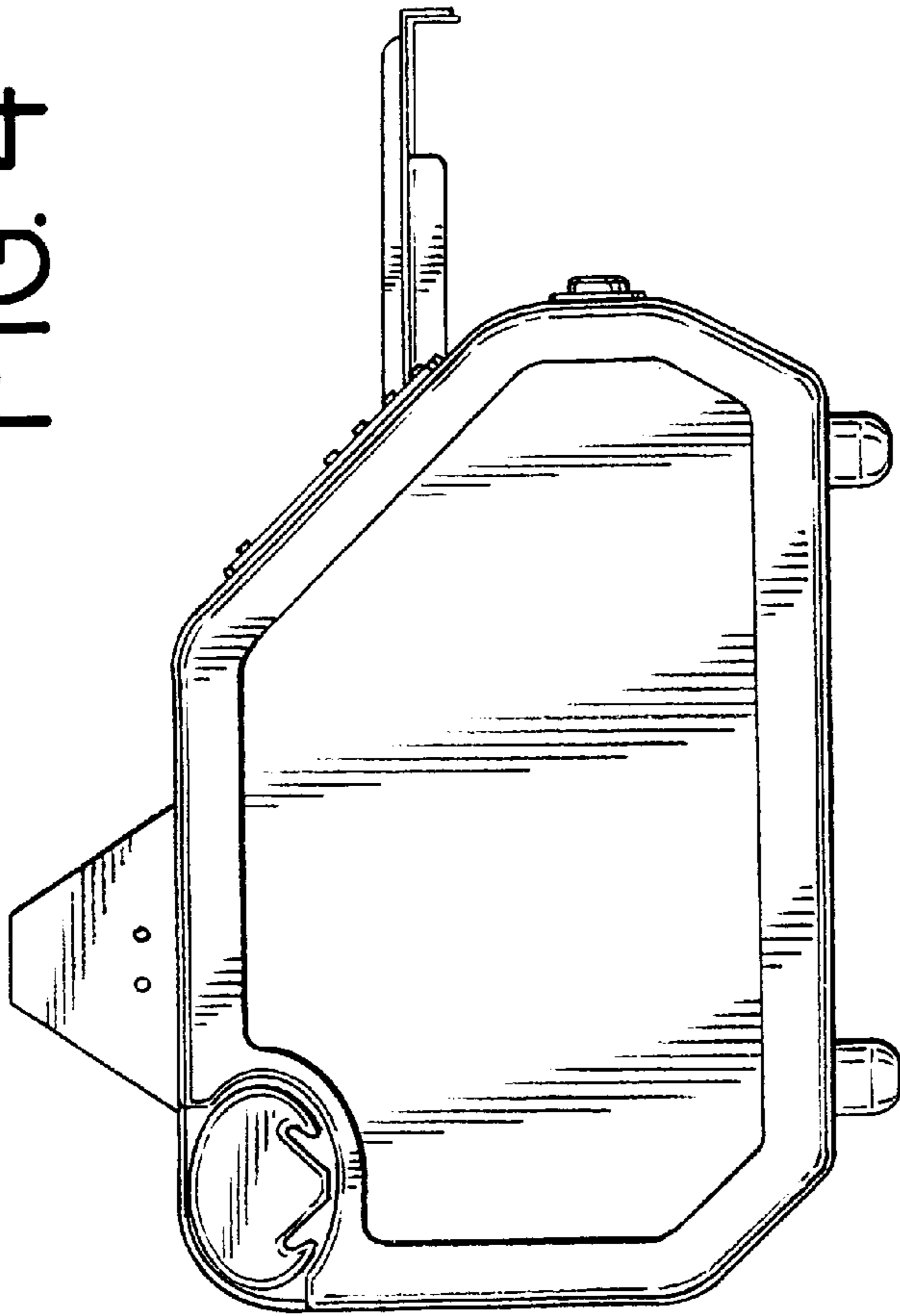
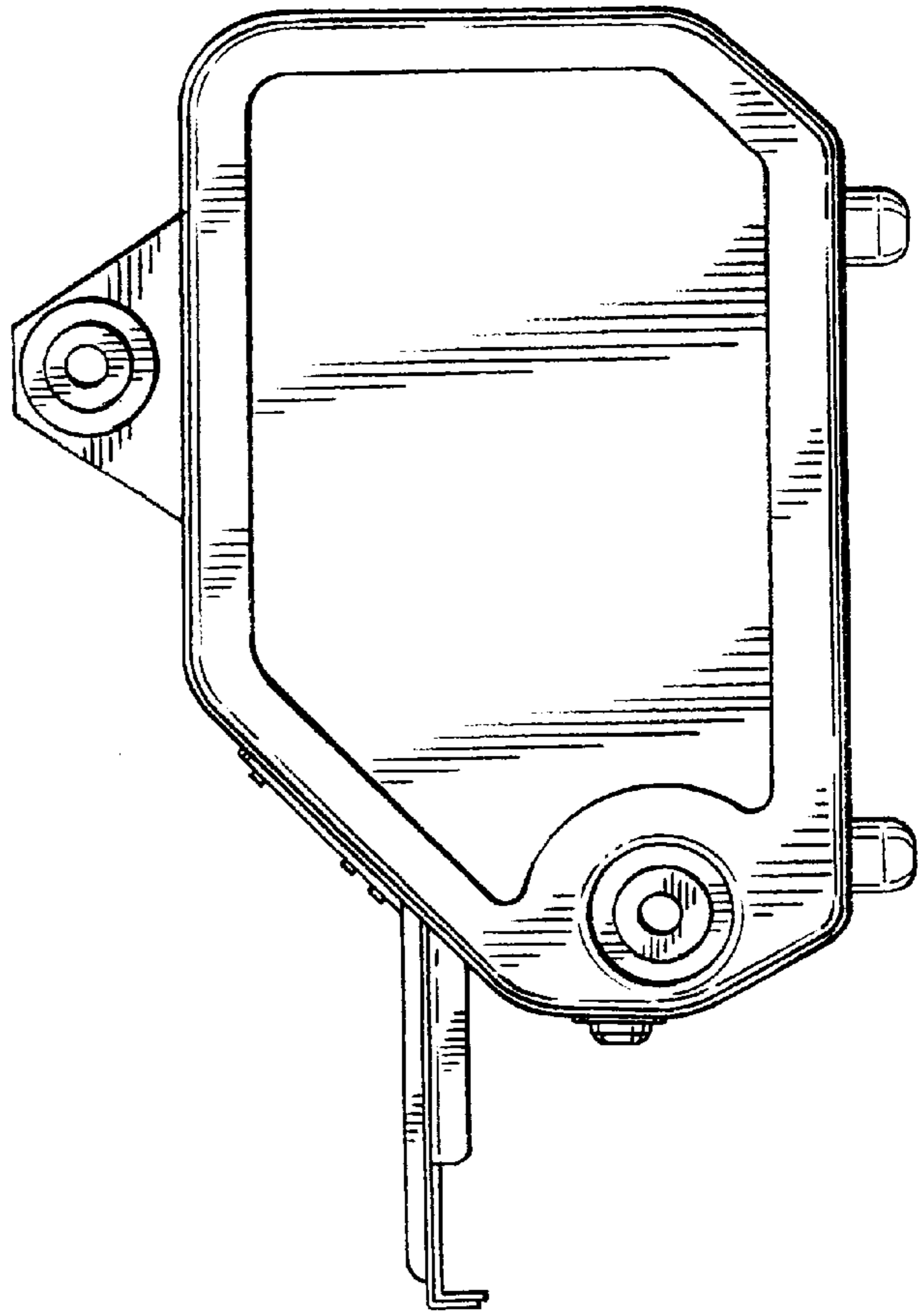


FIG. 5



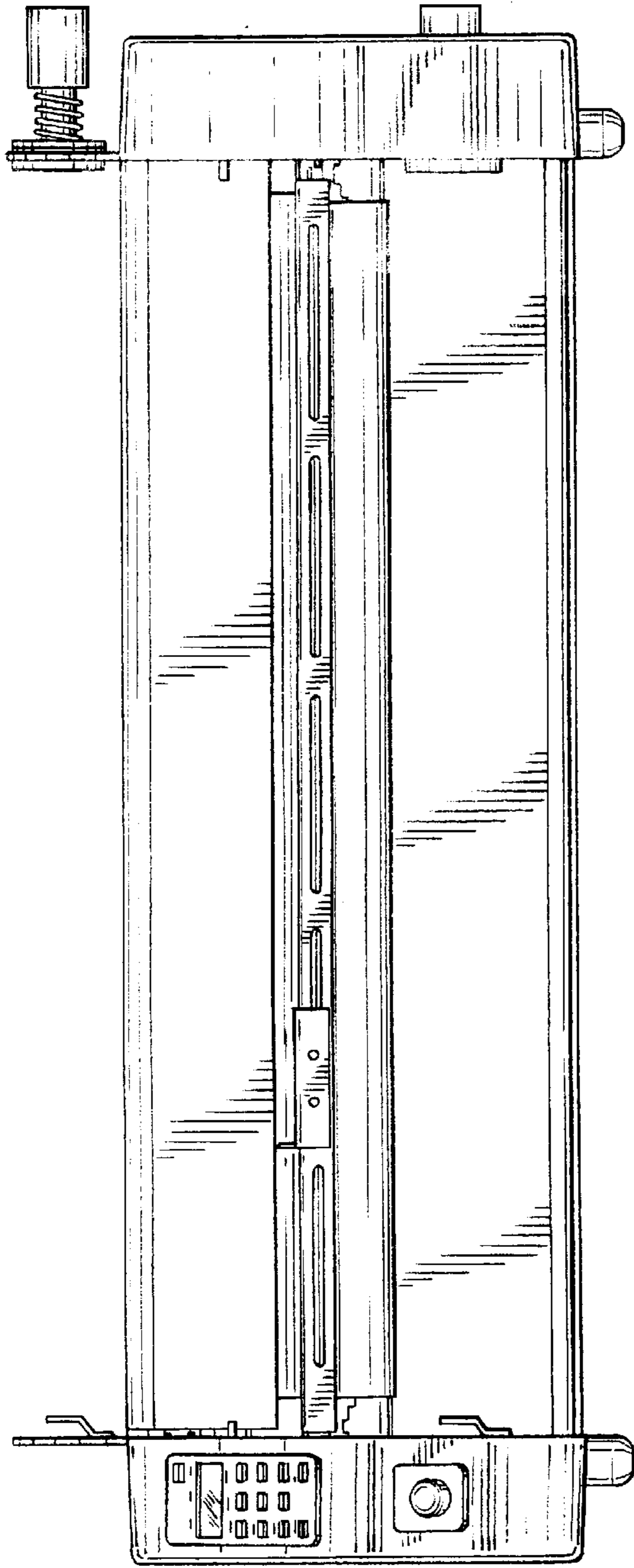


FIG. 6

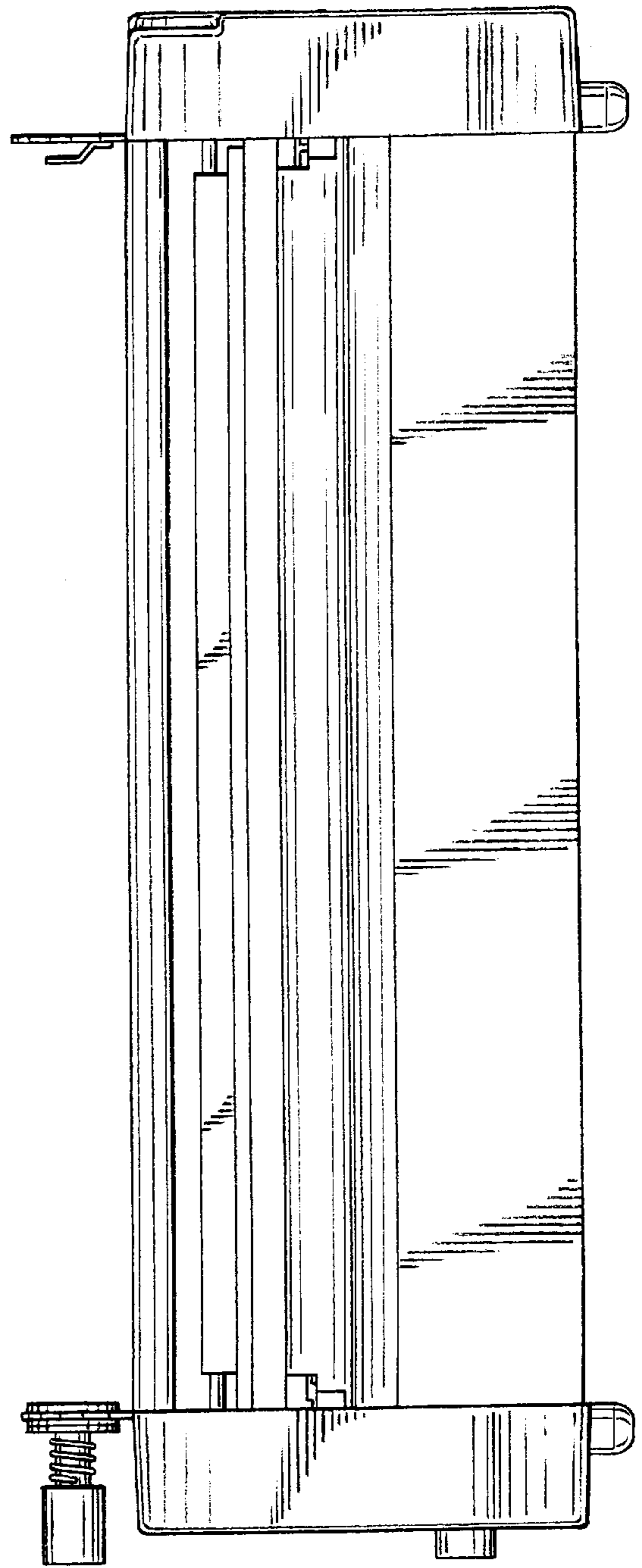


FIG. 7

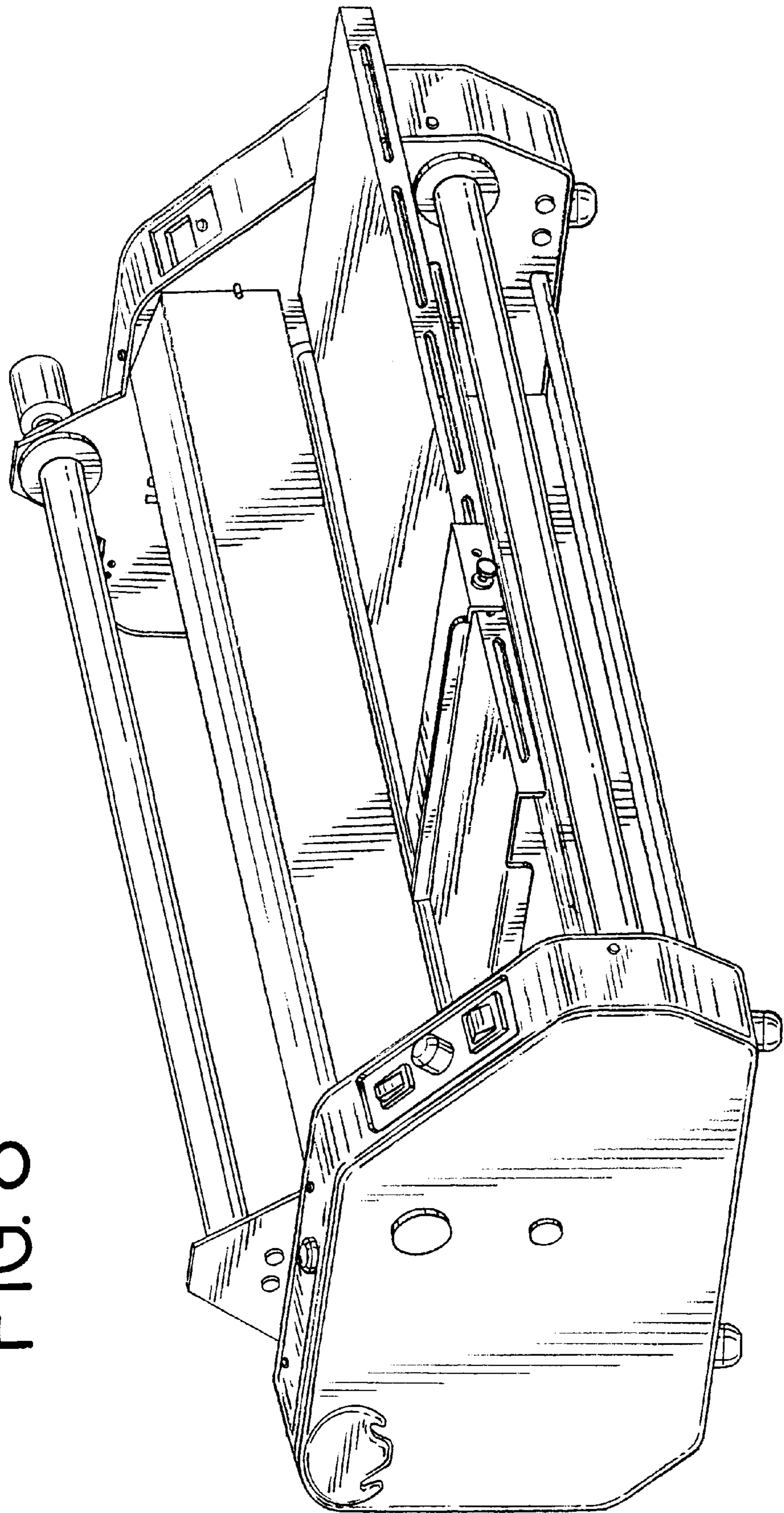


FIG. 8

FIG. 9

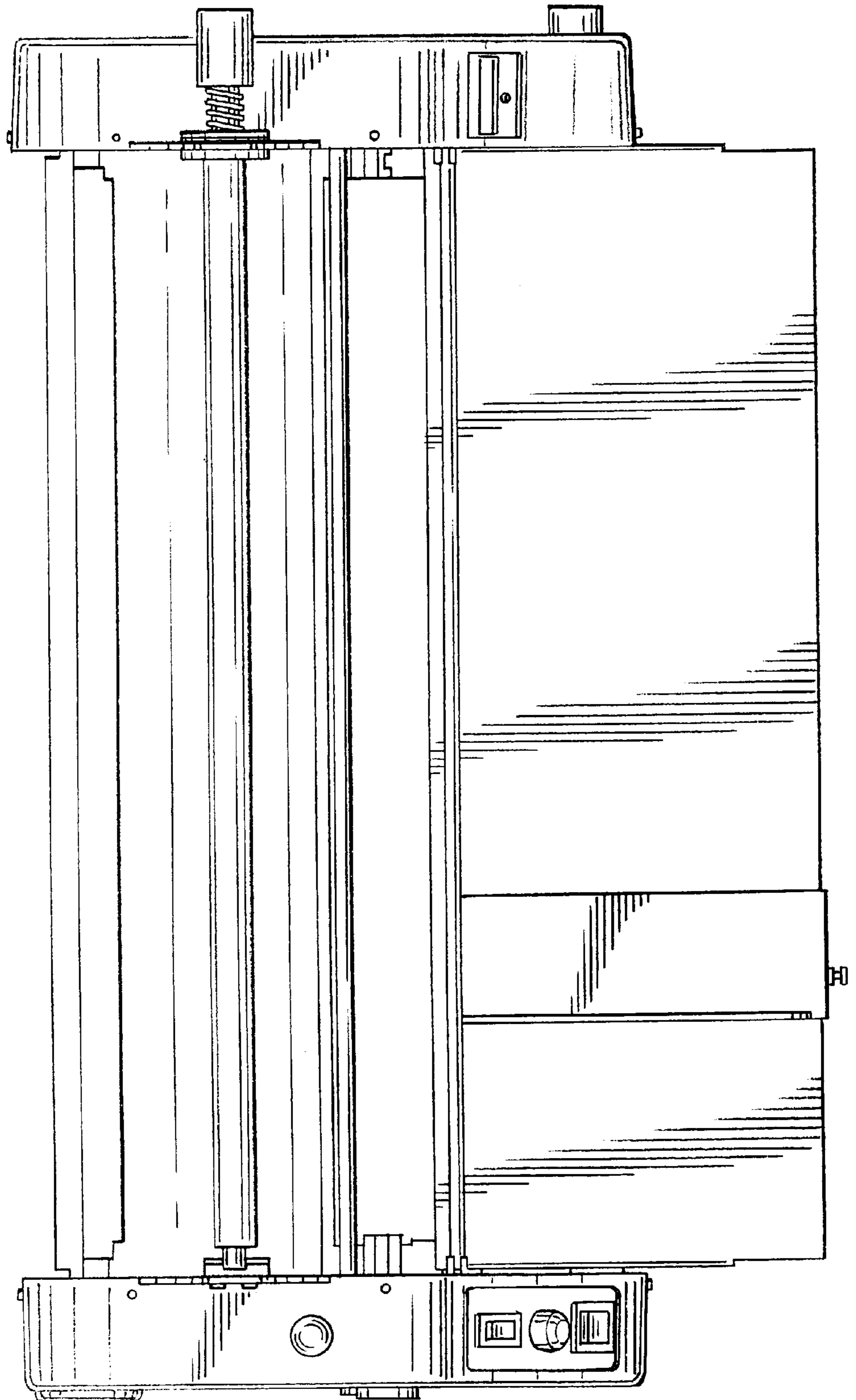




FIG. 10

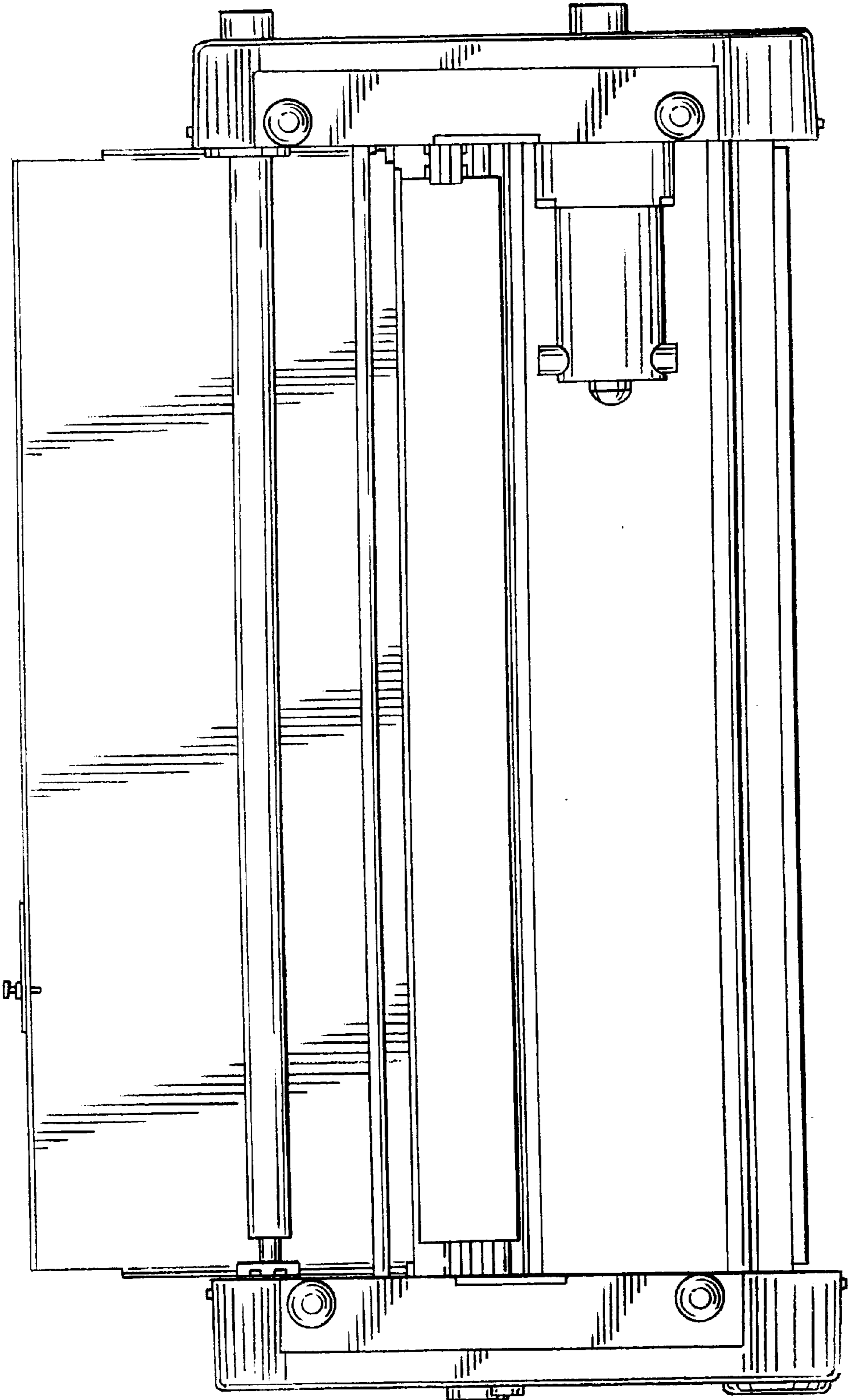


FIG. 11

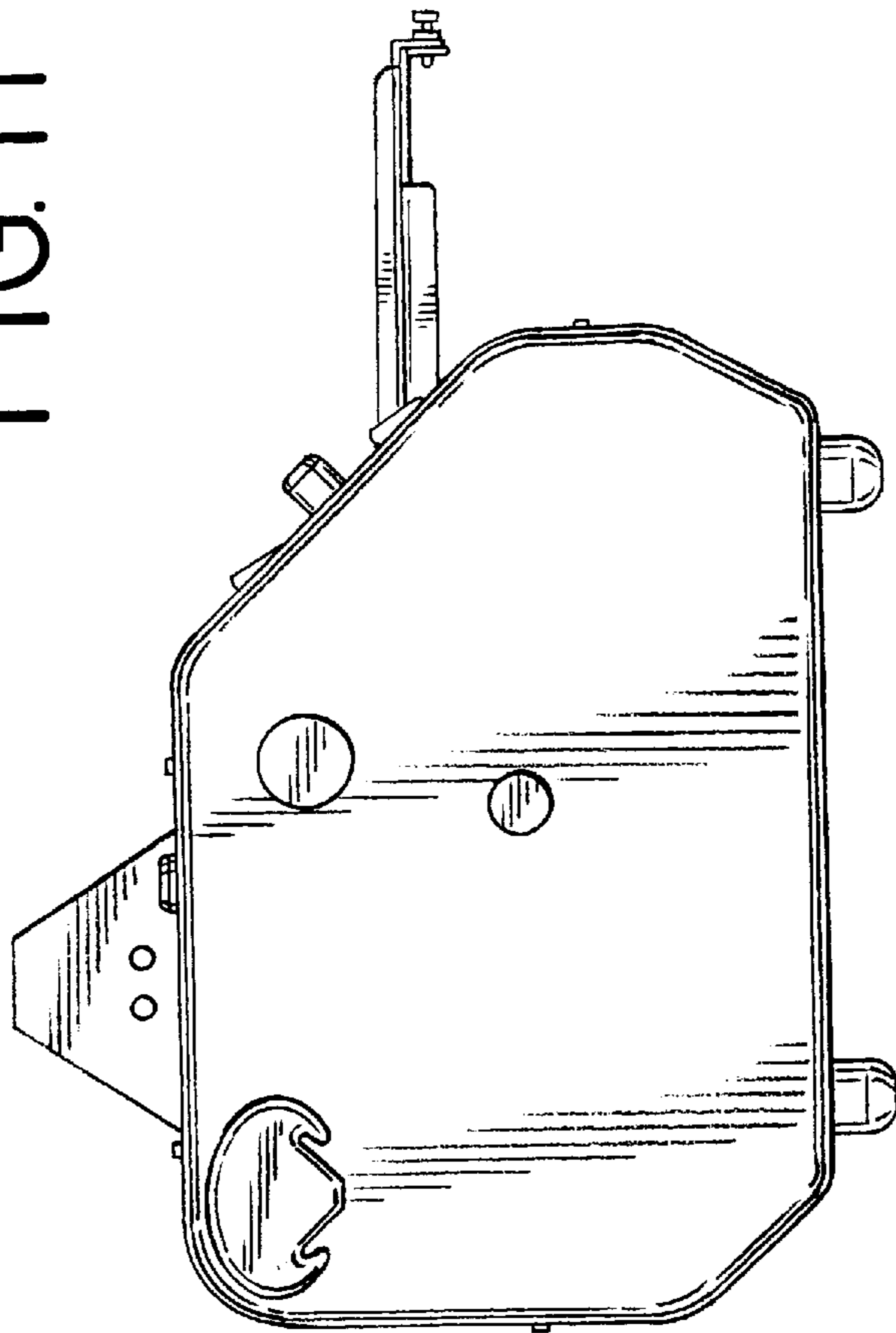
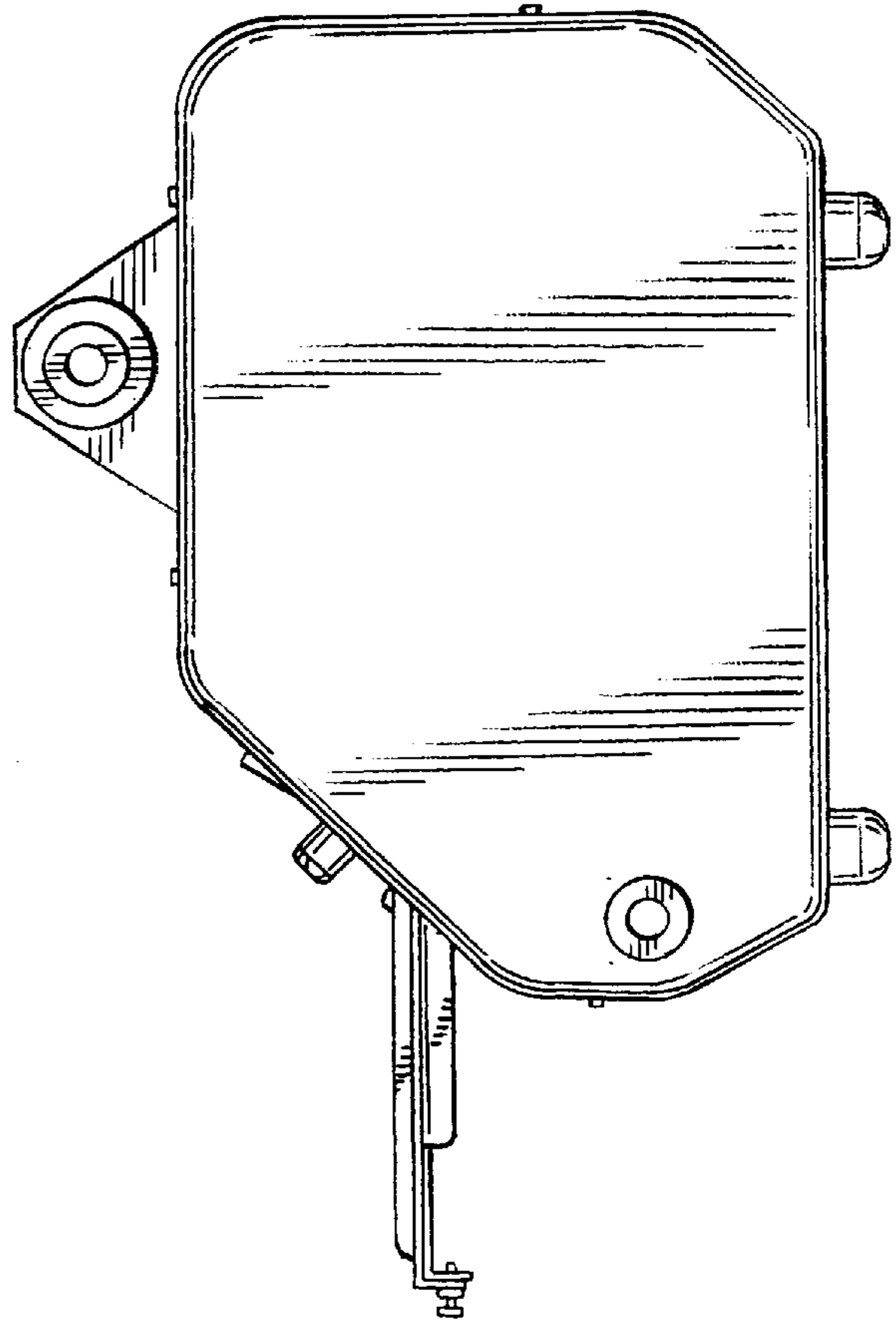


FIG. 12



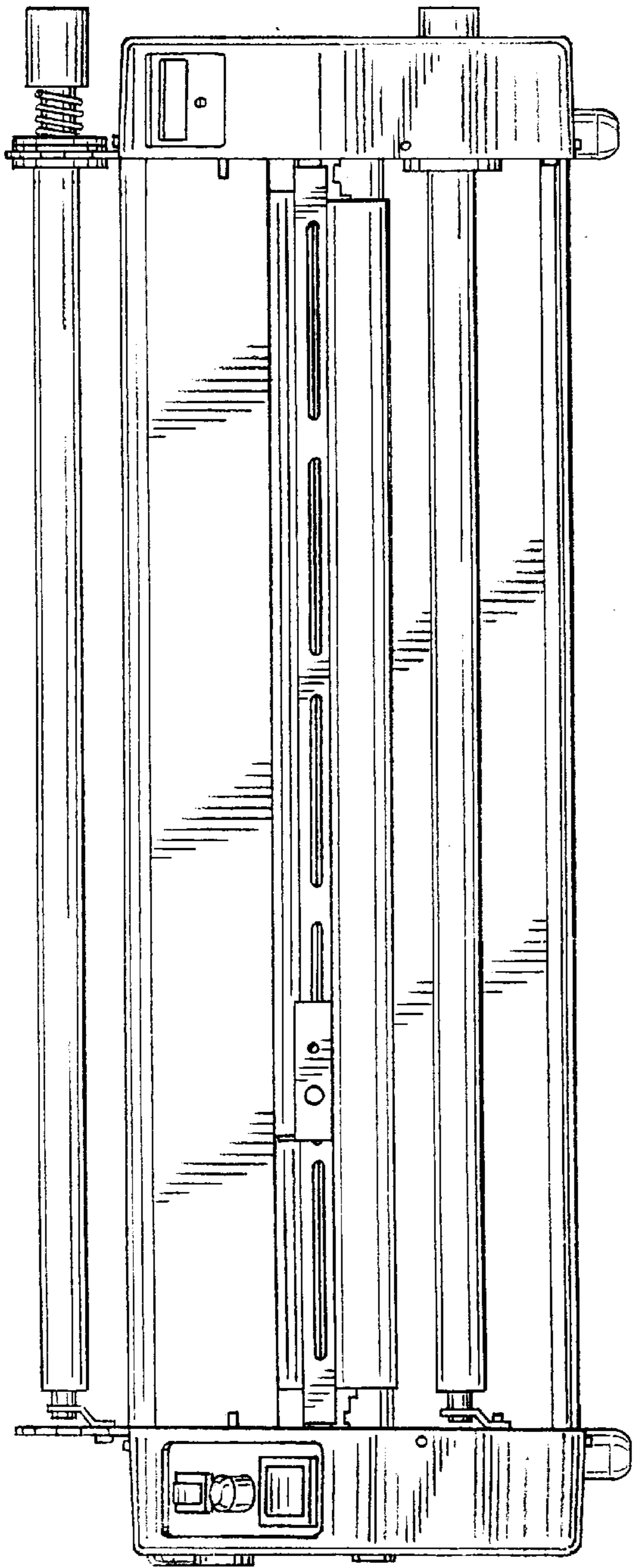


FIG. 13

FIG. 14

