



US00D440989S

(12) **United States Design Patent**
Krohmer

(10) **Patent No.:** **US D440,989 S**

(45) **Date of Patent:** **** Apr. 24, 2001**

(54) **SMALL DRILL PRESS TABLE**

5,301,405 * 4/1994 Maker 408/87
5,960,531 * 10/1999 Mora et al. 408/87 X

(75) Inventor: **Steve D. Krohmer**, Coon Rapids, MN
(US)

* cited by examiner

(73) Assignee: **Rockler Companies, Inc.**, Medina, MN
(US)

Primary Examiner—Antoine Duval Davis
(74) *Attorney, Agent, or Firm*—Gerald E. Helget; Rider,
Bennett, Egan & Arundel

(**) Term: **14 Years**

(57) **CLAIM**

(21) Appl. No.: **29/122,146**

The ornamental design for a small drill press table, as shown
and described.

(22) Filed: **Apr. 19, 2000**

DESCRIPTION

(51) **LOC (7) Cl.** **15-09**

(52) **U.S. Cl.** **D15/141; D15/132; D15/140**

(58) **Field of Search** D15/132, 140,
D15/141; 408/89, 87, 124, 129, 130, 234,
235, 236, 237; 409/185, 231; 29/26 R,
26 A, 26 B, DIG. 101

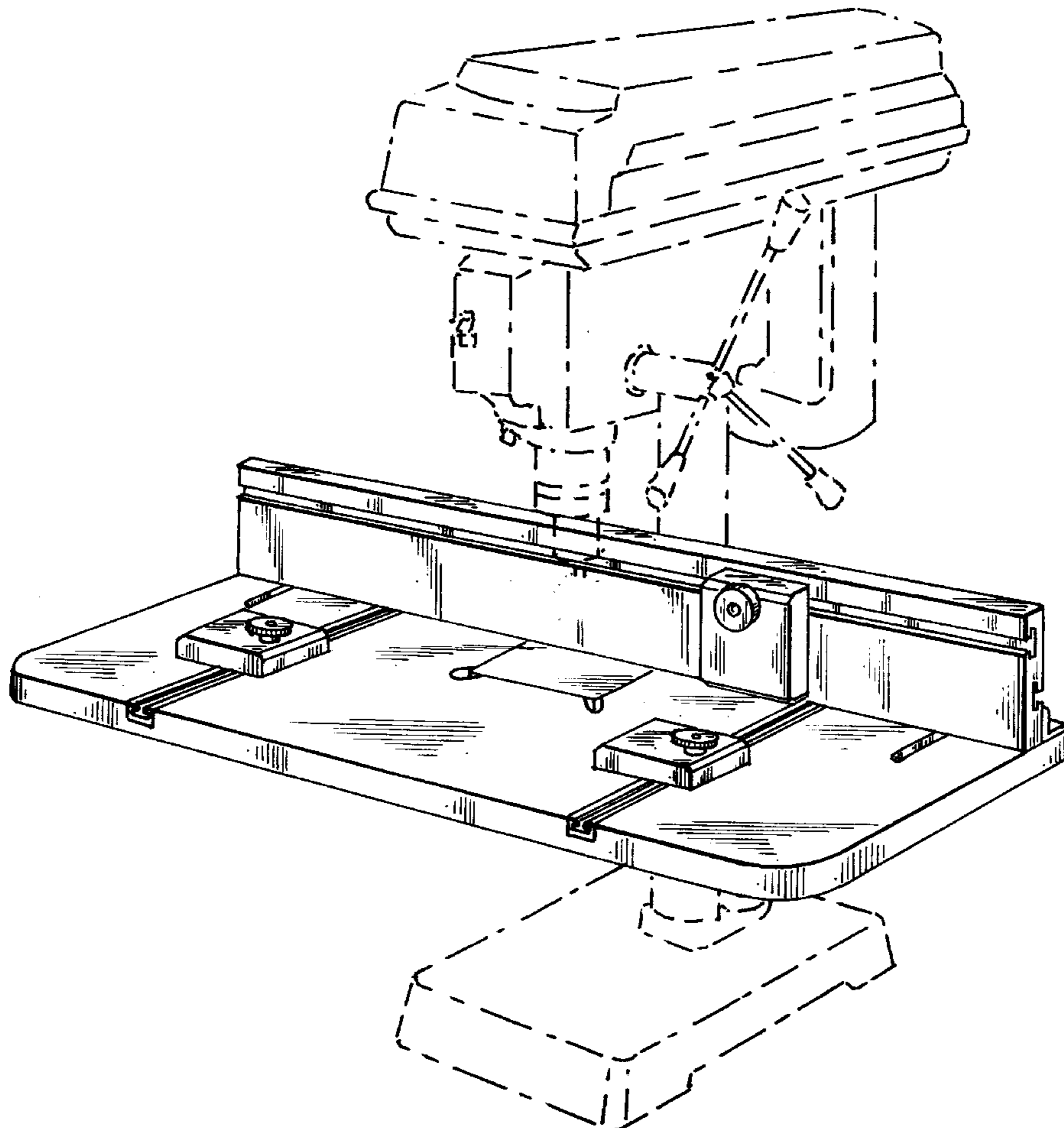
FIG. 1 is a perspective view;
FIG. 2 is a top plan view;
FIG. 3 is a front elevational view;
FIG. 4 is a left side elevational view;
FIG. 5 is a bottom plan view;
FIG. 6 is a rear elevational view; and,
FIG. 7 is a right side elevational view.
Any broken line illustration of environmental structure is not
part of the design sought to be patented.

(56) **References Cited**

U.S. PATENT DOCUMENTS

D. 386,192 * 11/1997 Chen D15/132
4,955,765 * 9/1990 Laird 408/87

1 Claim, 3 Drawing Sheets



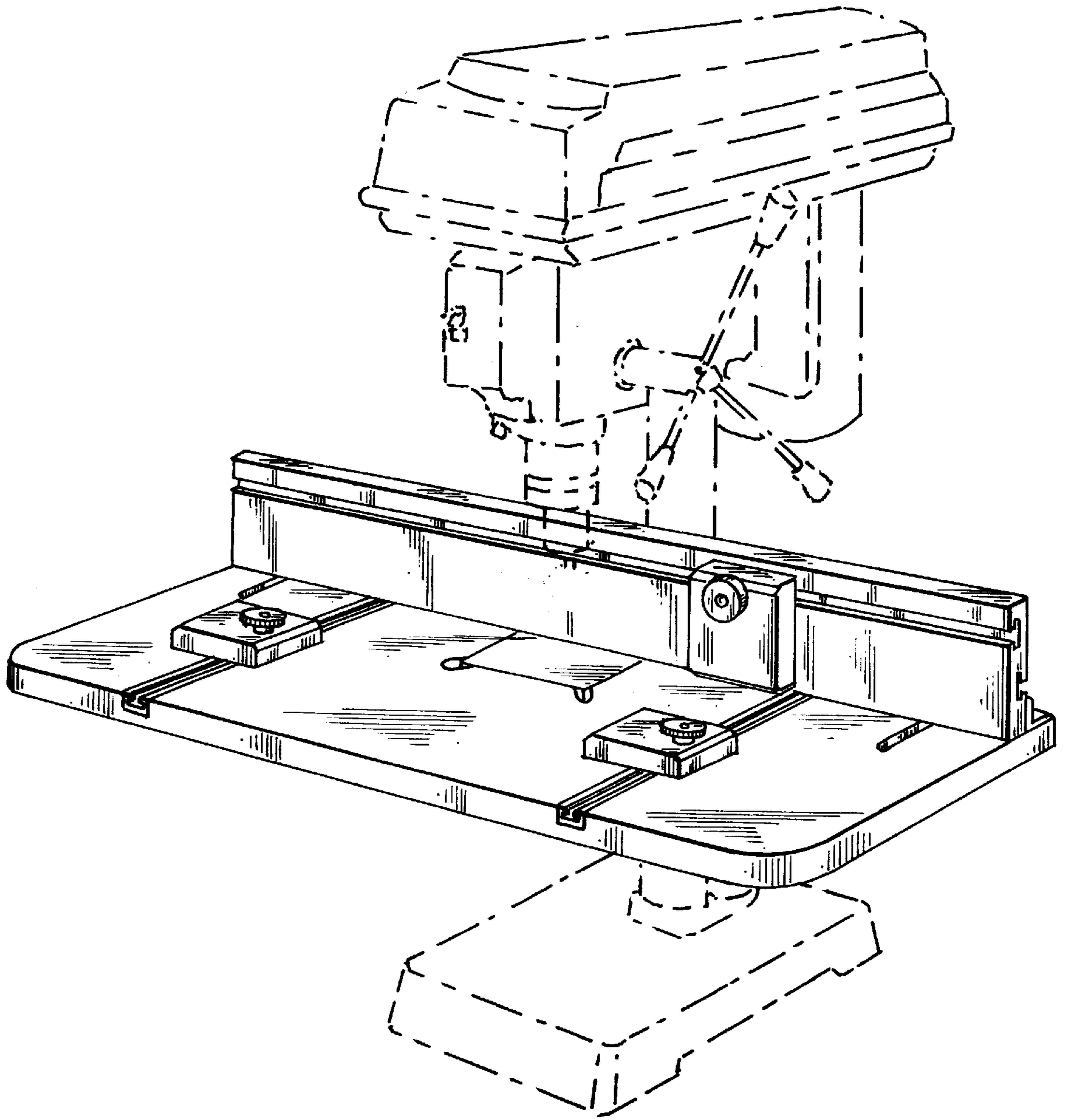


Fig. 1.

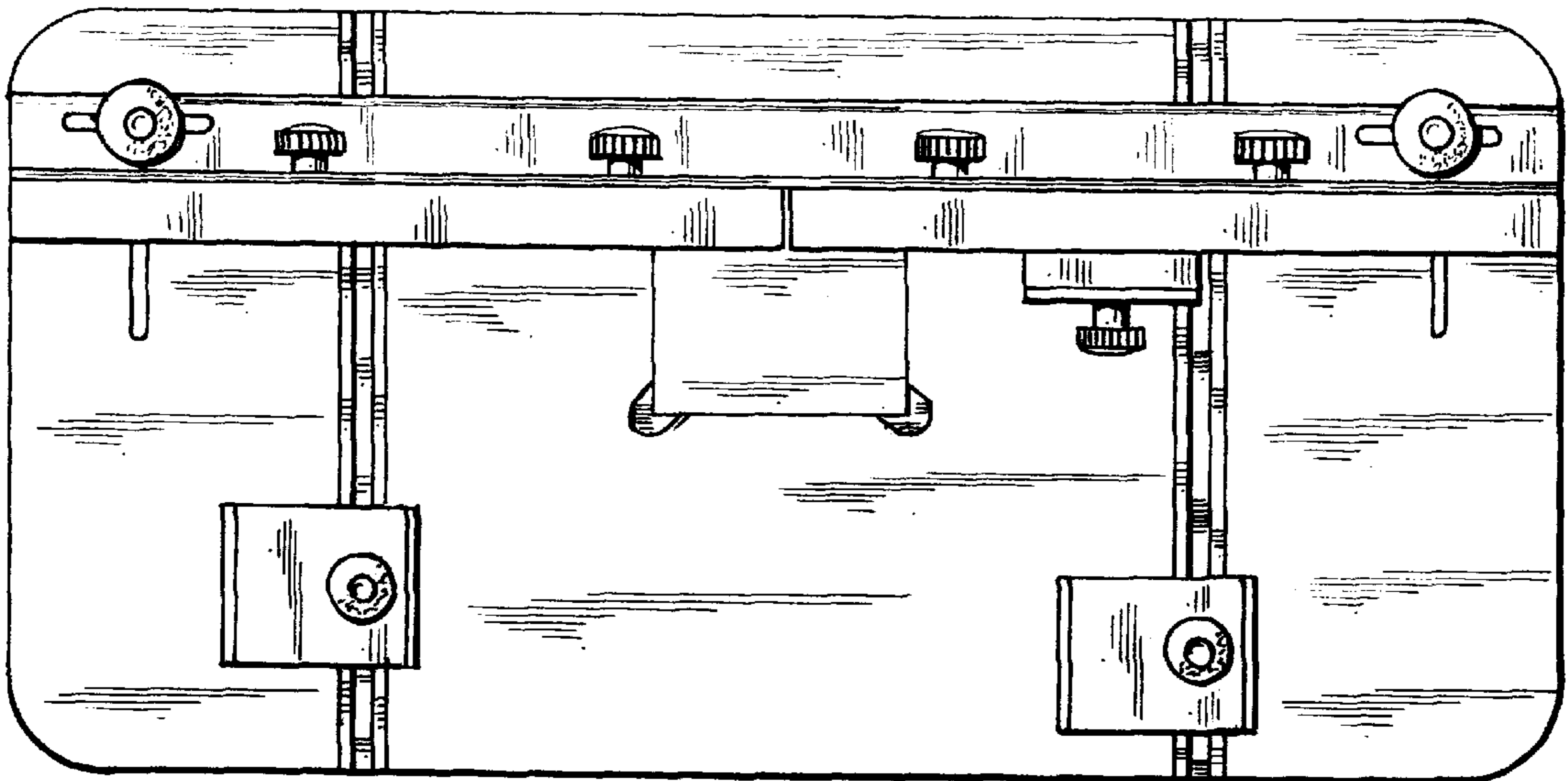


Fig. 2.

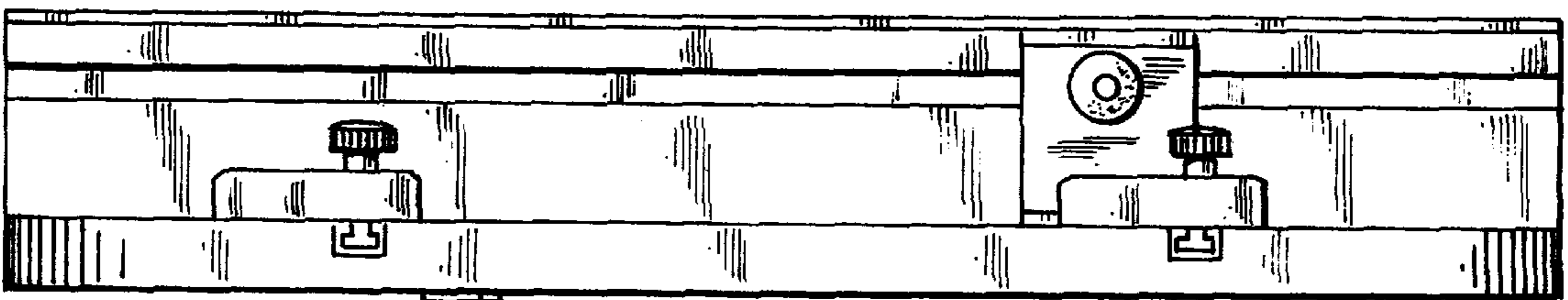


Fig. 3.

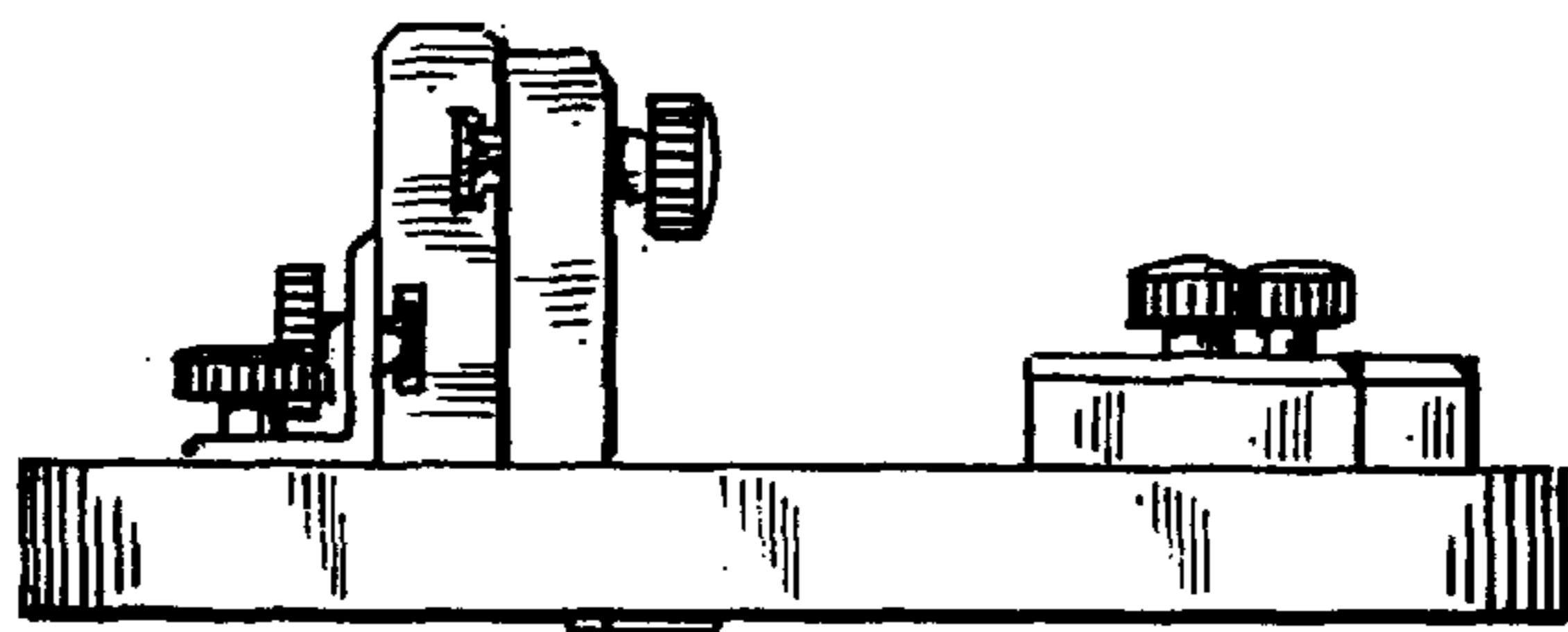


Fig. 4.

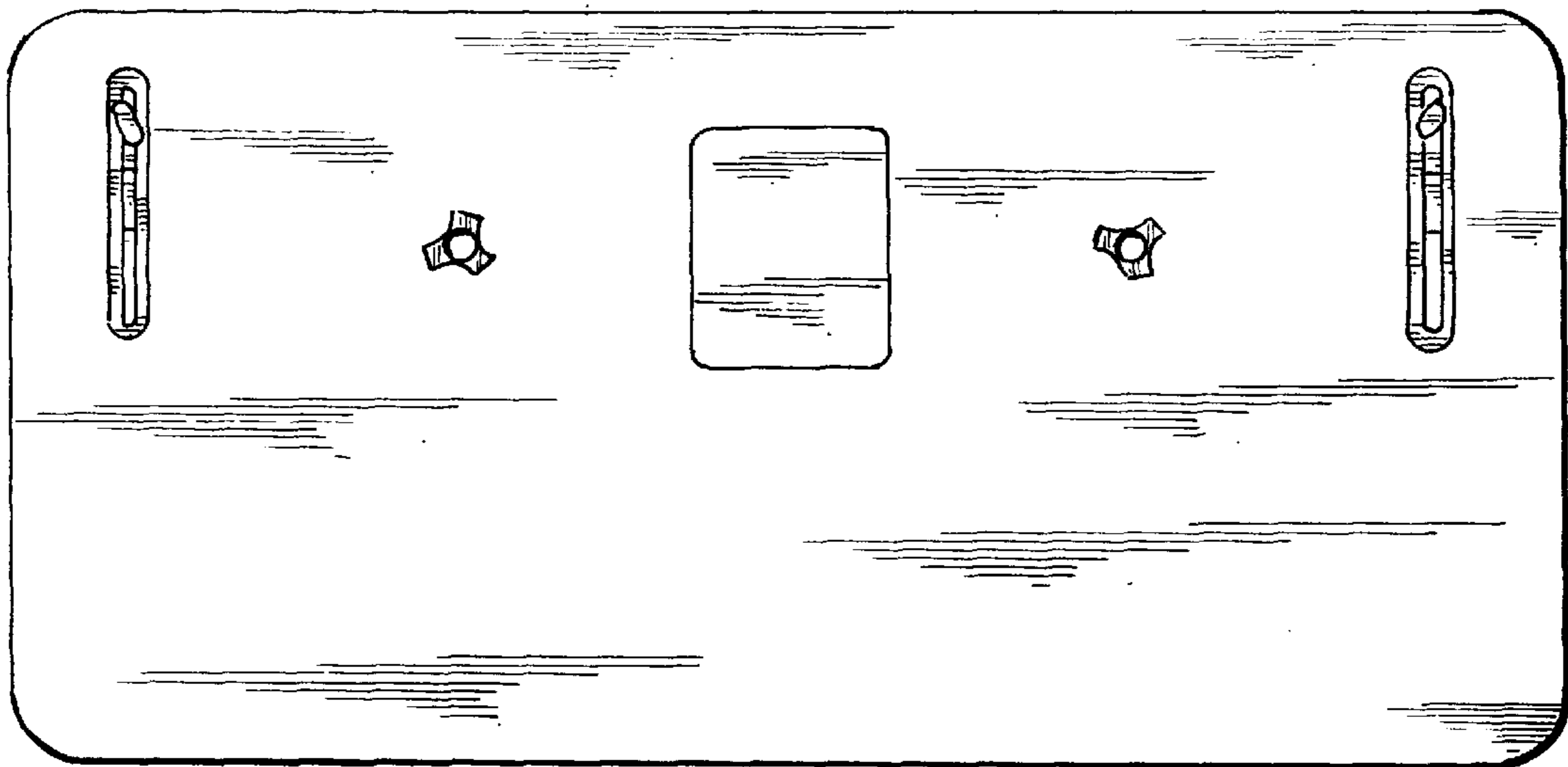


Fig. 5.

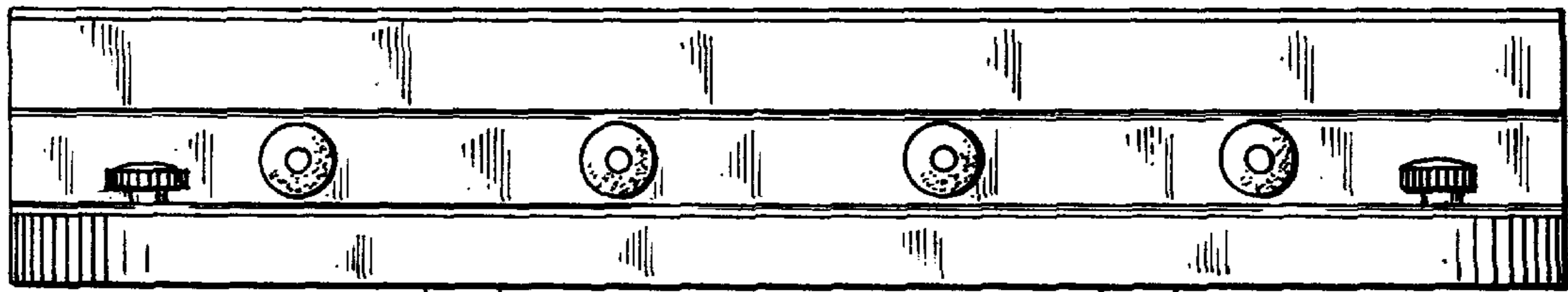


Fig. 6.

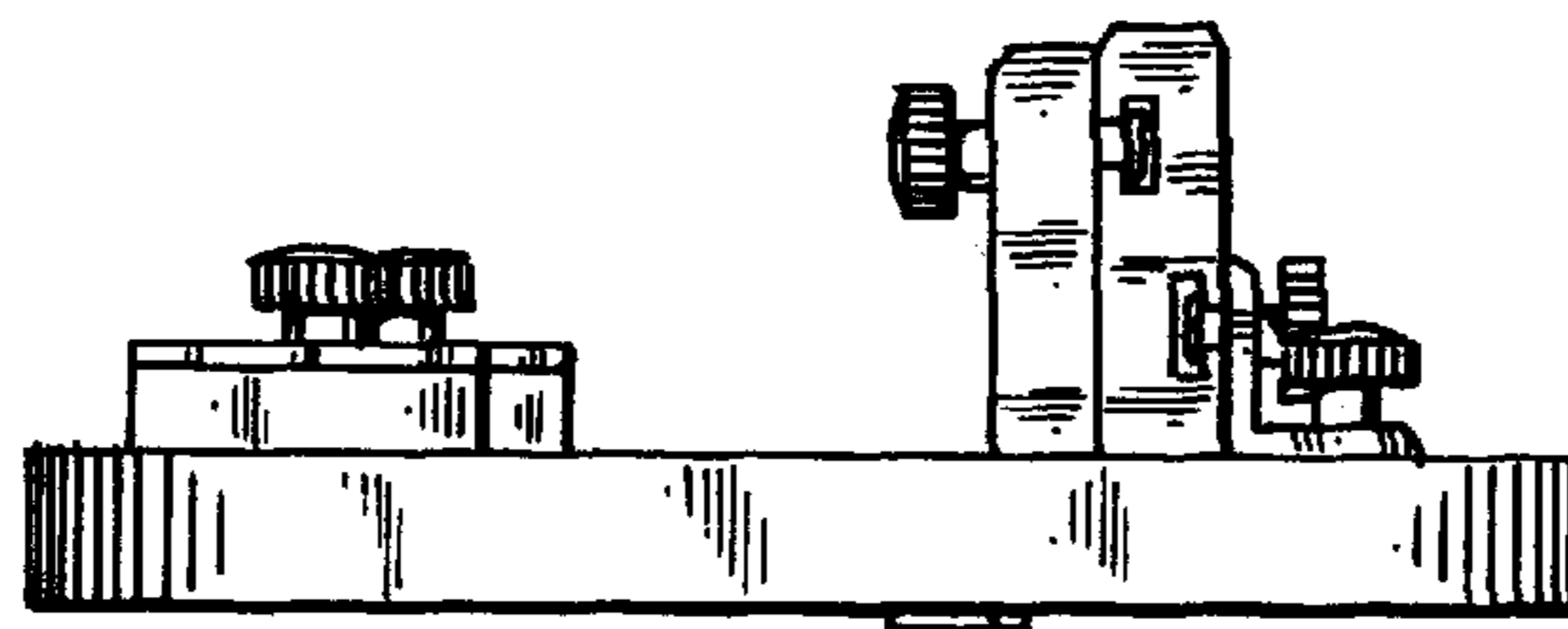


Fig. 7.