



US00D440981S

(12) **United States Design Patent**  
**Burch**

(10) **Patent No.:** **US D440,981 S**

(45) **Date of Patent:** **\*\* Apr. 24, 2001**

(54) **FLUID DISTRIBUTING BAR FOR A  
ROTATABLE WET MOWER BLADE**

4,043,104 \* 8/1977 Jones ..... 56/295  
5,312,047 \* 5/1994 Akers ..... 239/276

(76) Inventor: **Thomas B. Burch**, P.O. Box 1046,  
North Wilkesboro, NC (US) 28659

\* cited by examiner

*Primary Examiner*—Sandra L. Morris

(\*\*) Term: **14 Years**

(74) *Attorney, Agent, or Firm*—Dougherty & Clements  
LLP

(21) Appl. No.: **29/097,411**

(57) **CLAIM**

(22) Filed: **Dec. 7, 1998**

The ornamental design for a fluid distributing bar for a  
rotatable wet mower blade, as shown and described.

(51) **LOC (7) Cl.** ..... **15-03**

**DESCRIPTION**

(52) **U.S. Cl.** ..... **D15/17**

(58) **Field of Search** ..... D15/10, 14-17,  
D15/28; 56/11.9, 16.7, 17.1, 17.5, 202,  
255, 295; 239/276

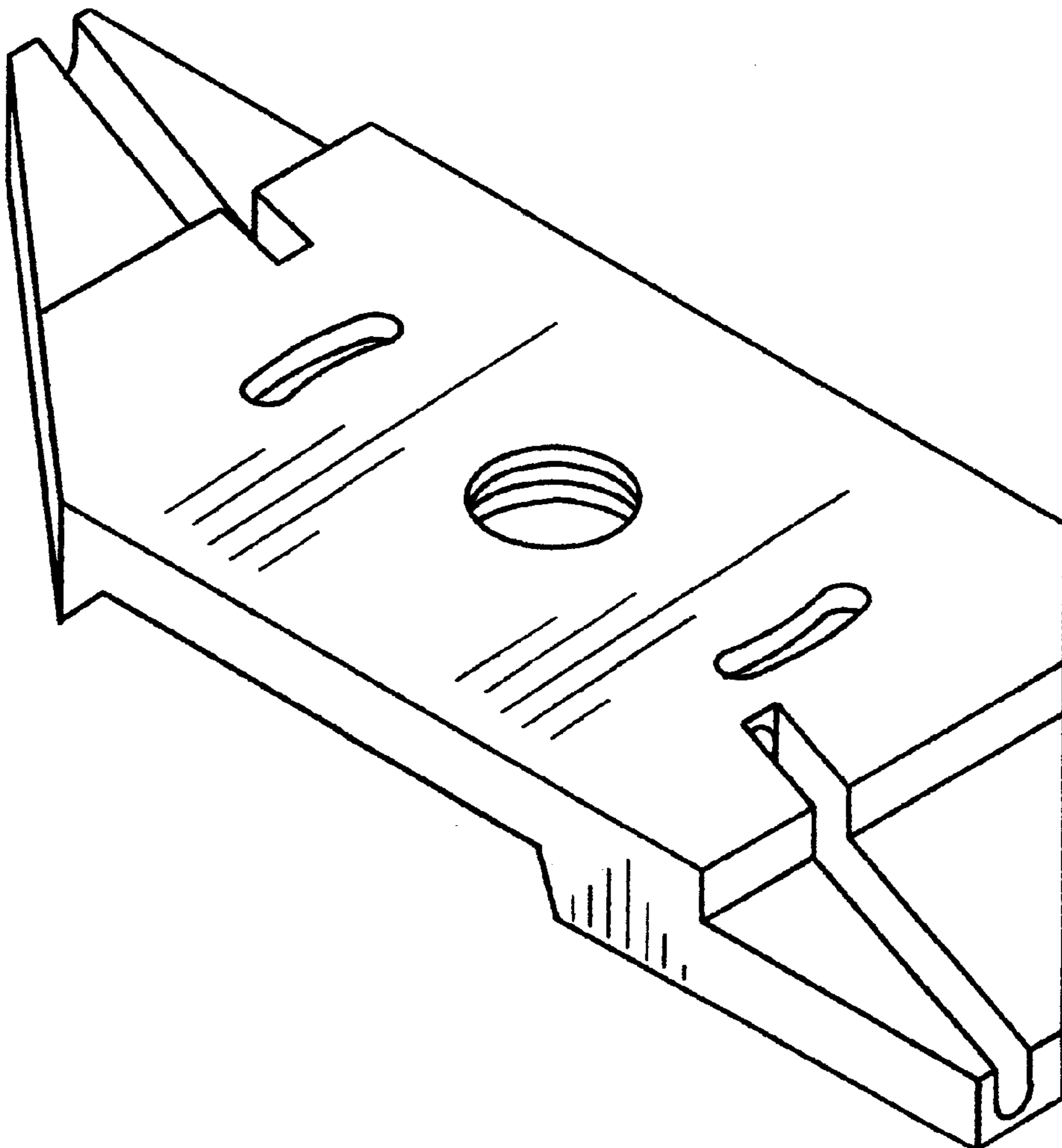
FIG. 1 is a perspective view of the fluid distributing bar for  
a rotatable wet mower blade showing the new design;  
FIG. 2 is a back view of the fluid distributing bar for a  
rotatable wet mower blade showing the new design;  
FIG. 3 is a left side view thereof;  
FIG. 4 is a top view thereof;  
FIG. 5 is a right side view thereof;  
FIG. 6 is a front view thereof; and,  
FIG. 7 is a bottom view thereof.

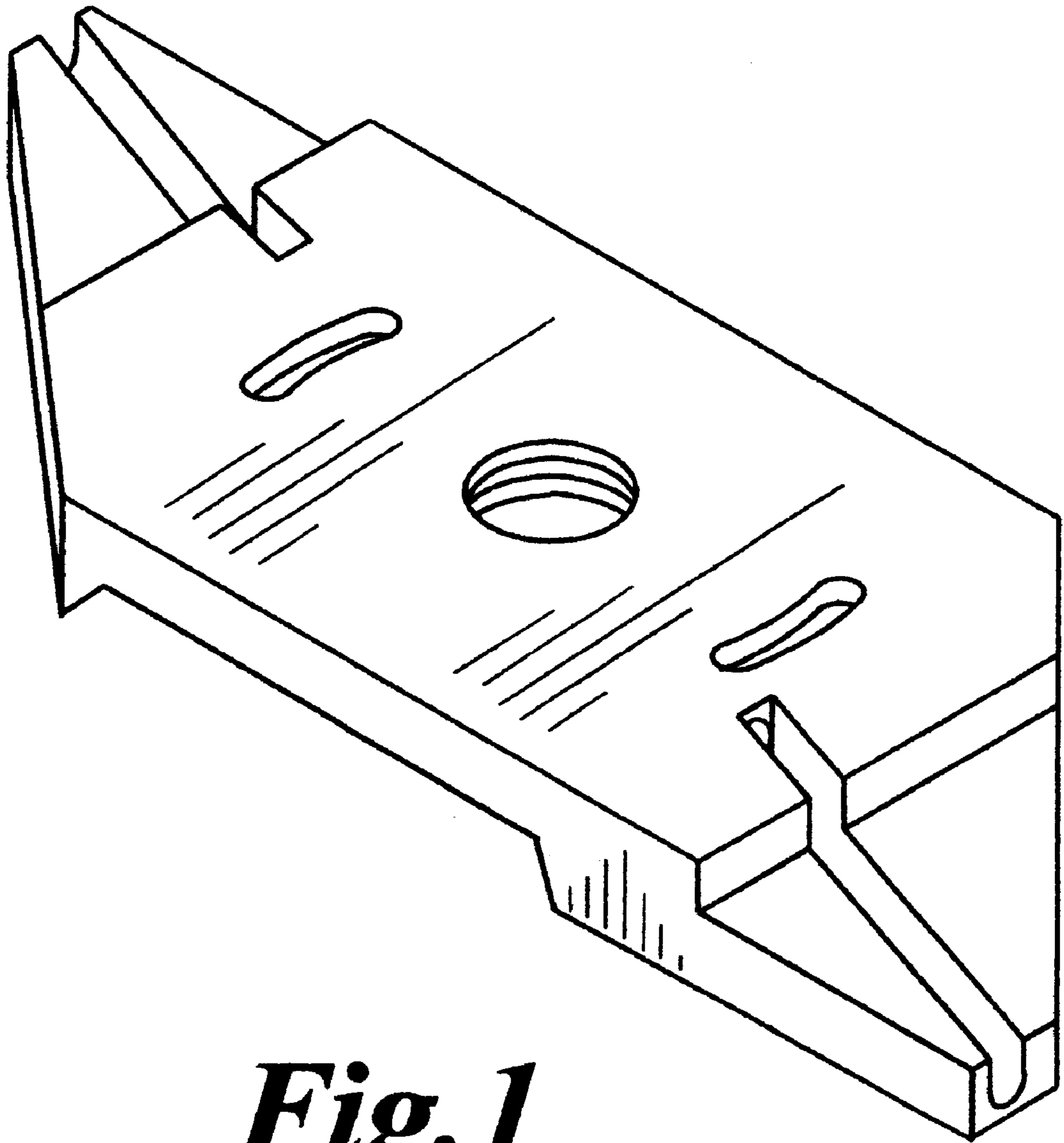
(56) **References Cited**

**U.S. PATENT DOCUMENTS**

- D. 268,641 \* 4/1983 Bonforte ..... D15/17
- 3,343,351 \* 9/1967 Freedlander et al. .... D15/17
- 3,343,354 \* 9/1967 Freedlander et al. .... D15/17
- 3,369,354 \* 2/1968 Freedlander et al. .... D15/17

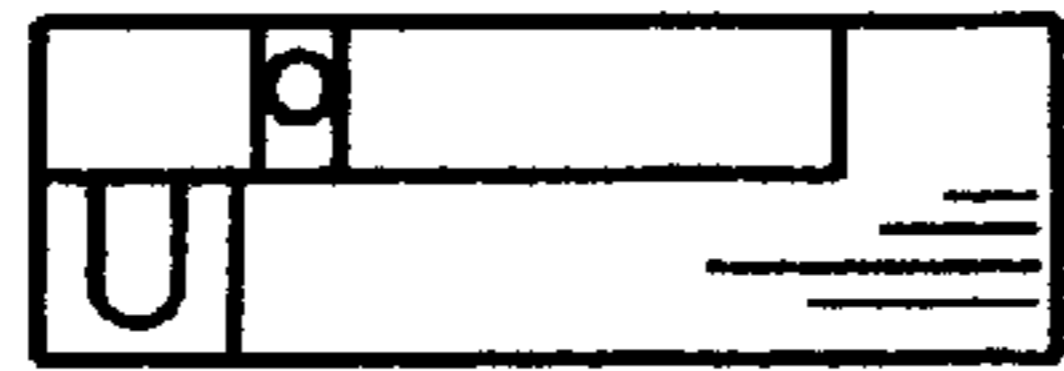
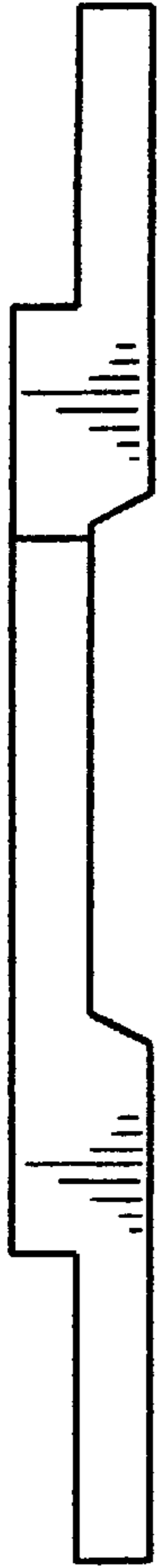
**1 Claim, 2 Drawing Sheets**



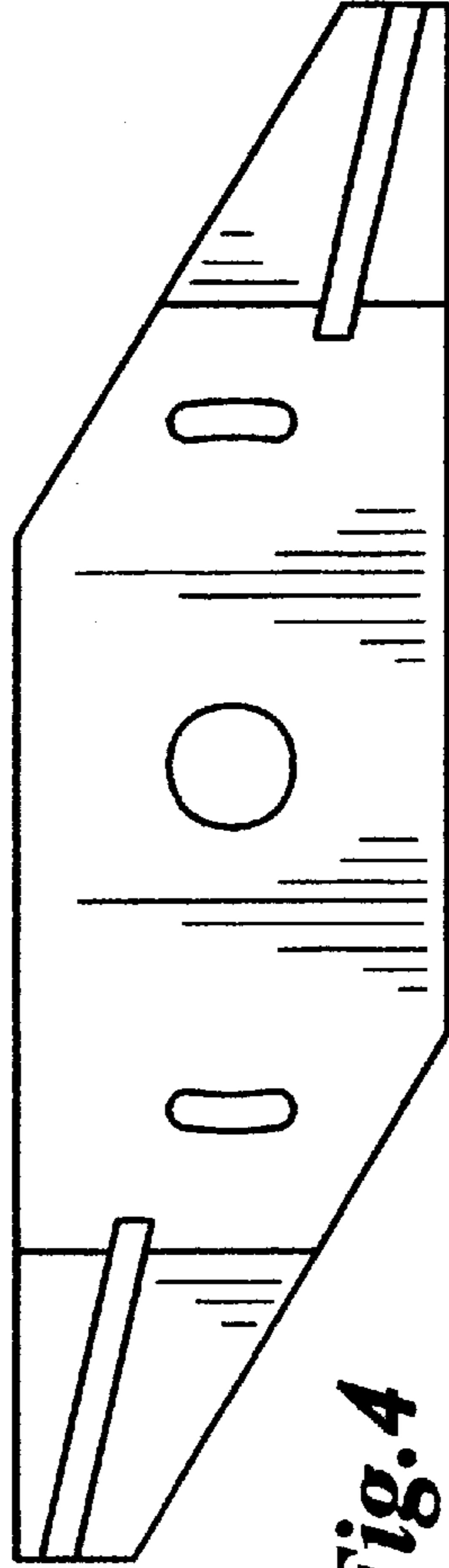


***Fig. 1***

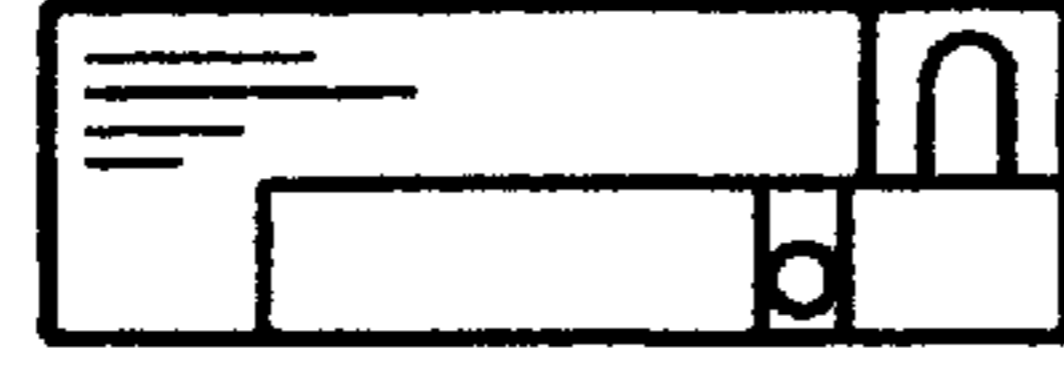
*Fig. 2*



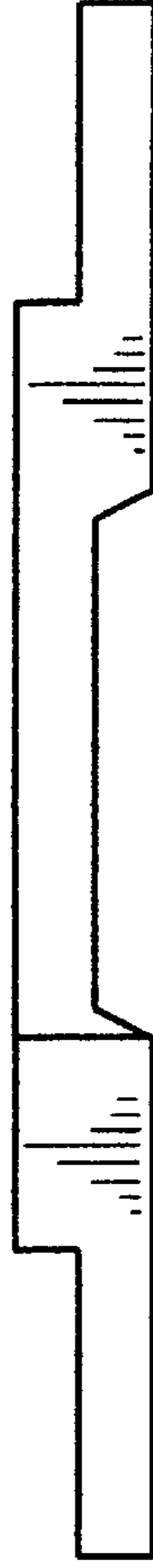
*Fig. 3*



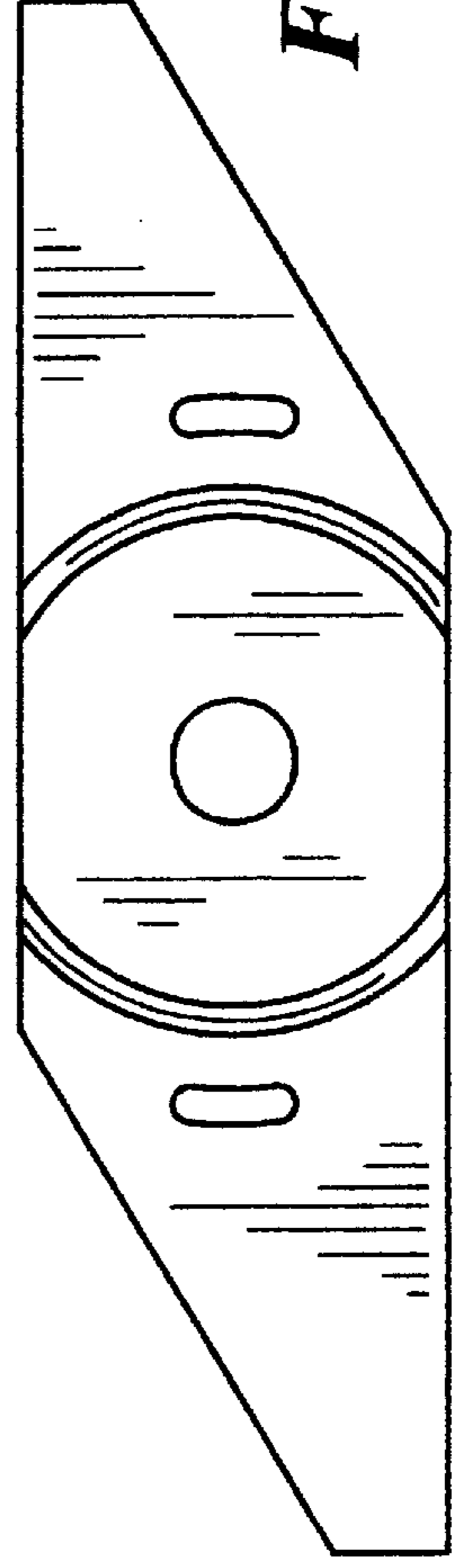
*Fig. 4*



*Fig. 5*



*Fig. 6*



*Fig. 7*