



US00D440974S

(12) **United States Design Patent**  
**Heard et al.**

(10) **Patent No.:** **US D440,974 S**

(45) **Date of Patent:** **\*\* Apr. 24, 2001**

(54) **COMPUTER MOUSE WITH VAN SHAPE**

D. 404,027 \* 1/1999 Bush ..... D14/403  
5,692,956 \* 12/1997 Rifkin ..... 463/37

(76) Inventors: **Dennis D. Heard**, 4509 2nd Ave. S.,  
Mpls., MN (US) 55409; **Dana P. Hervig**, 1450 102nd St. E., Inver Grove  
Heights, MN (US) 55077

\* cited by examiner

*Primary Examiner*—Kay H. Chin

(\*\*) Term: **14 Years**

(57) **CLAIM**

(21) Appl. No.: **29/126,677**

The ornamental design for a computer mouse with van shape, as shown.

(22) Filed: **Jul. 21, 2000**

**DESCRIPTION**

(51) **LOC (7) Cl.** ..... **14-02**

(52) **U.S. Cl.** ..... **D14/403; D12/96**

(58) **Field of Search** ..... D14/402-410,  
D14/417, 432; 200/5 R, 5 A, 6 R, 6 A;  
273/148 B; 345/156-167; 74/471 XY; 463/36,  
37, 38; D21/533, 548, 552; D12/82, 93,  
94, 96, 97, 101

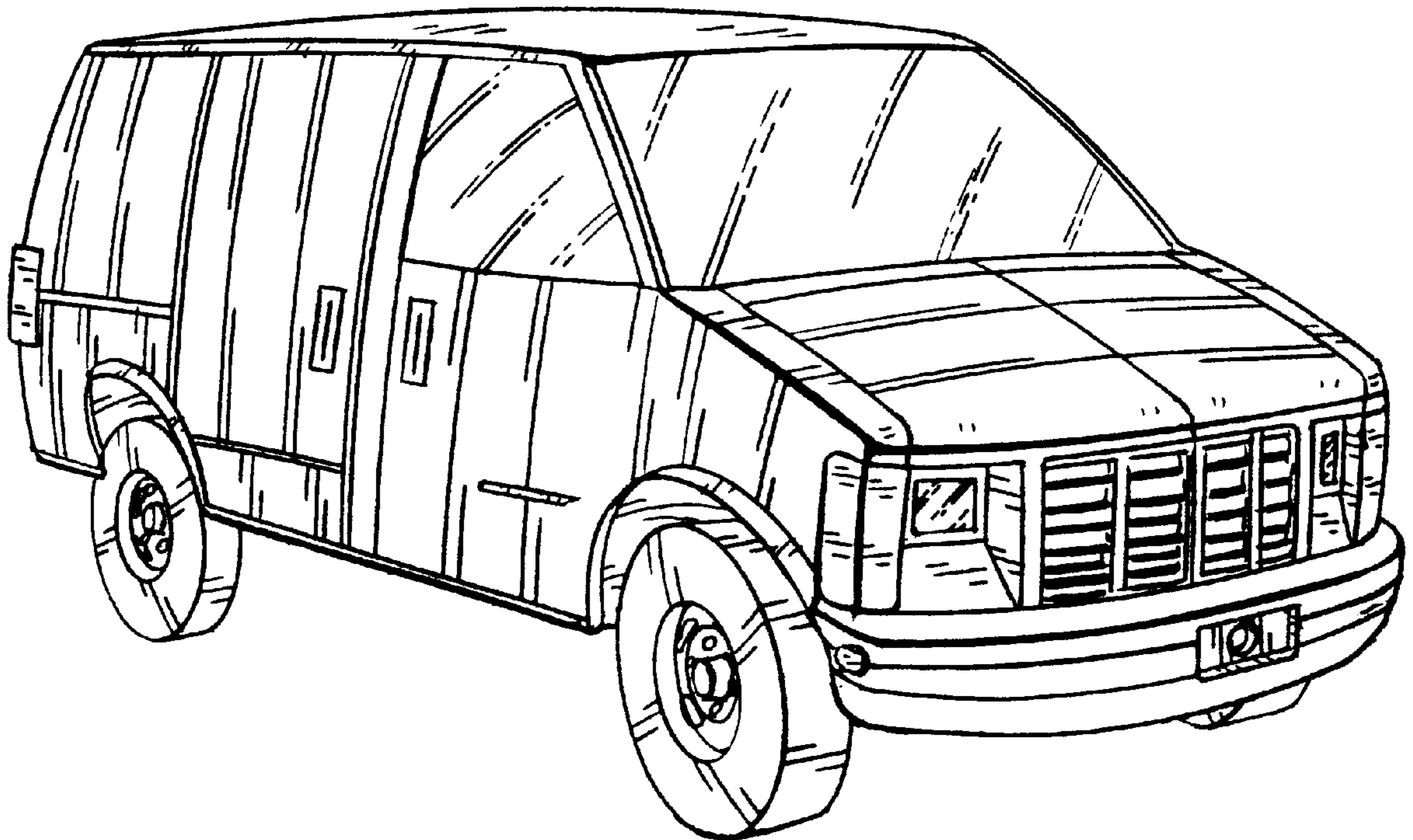
FIG. 1 is a front perspective view of a computer mouse with van shape showing our new design;  
FIG. 2 is a left side elevational view thereof;  
FIG. 3 is a right side elevational view thereof;  
FIG. 4 is a rear elevational view thereof;  
FIG. 5 is a front elevational view thereof;  
FIG. 6 is a top plan view thereof; and,  
FIG. 7 is a bottom plan view thereof.

(56) **References Cited**

**U.S. PATENT DOCUMENTS**

D. 316,986 \* 5/1991 Hackett et al. .... D12/96

**1 Claim, 6 Drawing Sheets**



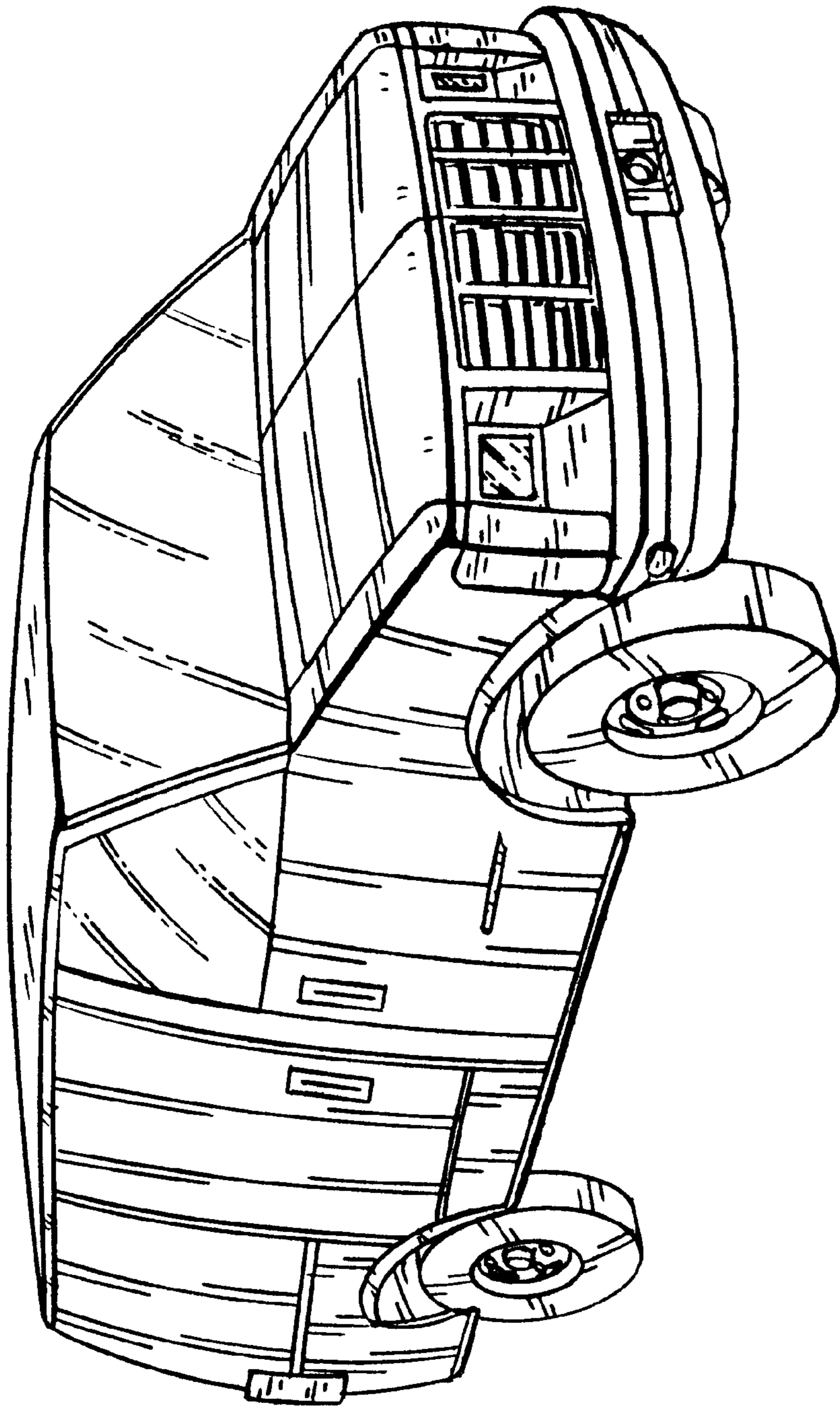
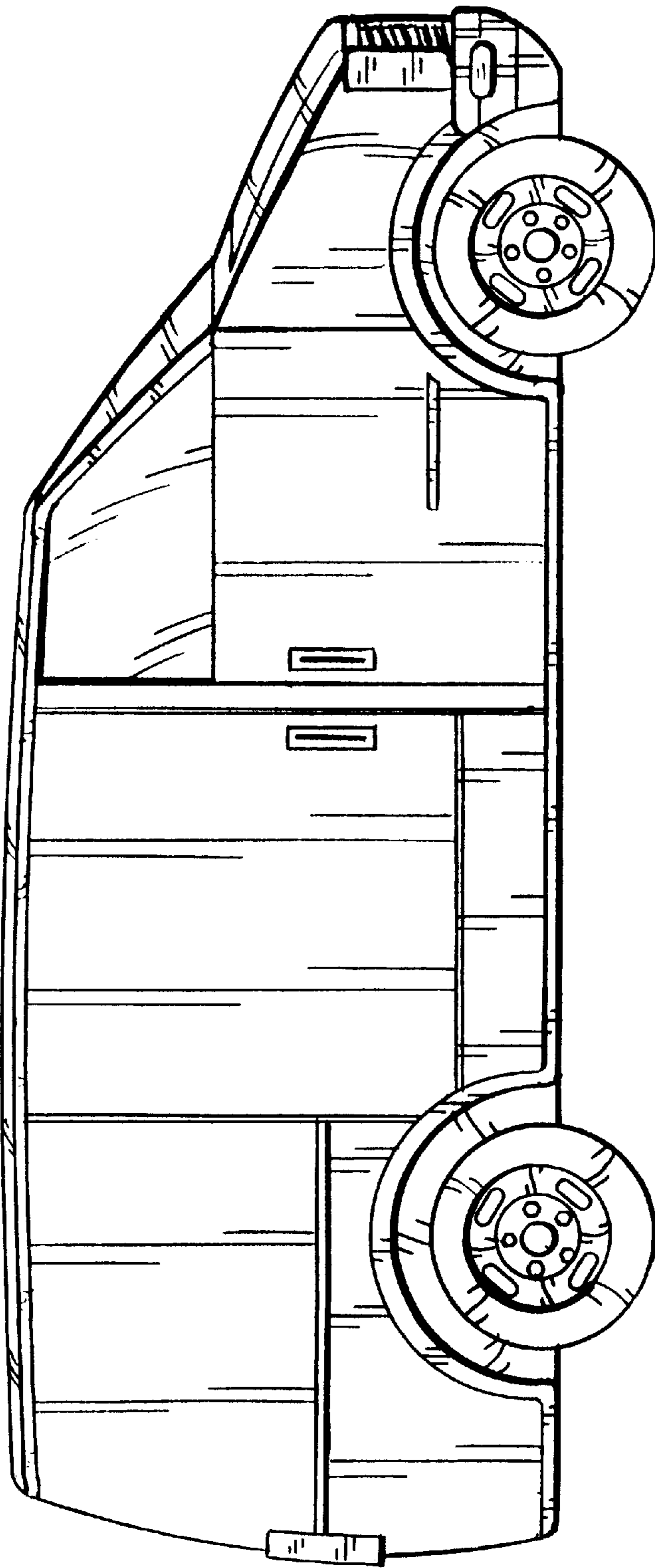


FIG.1



**FIG.2**

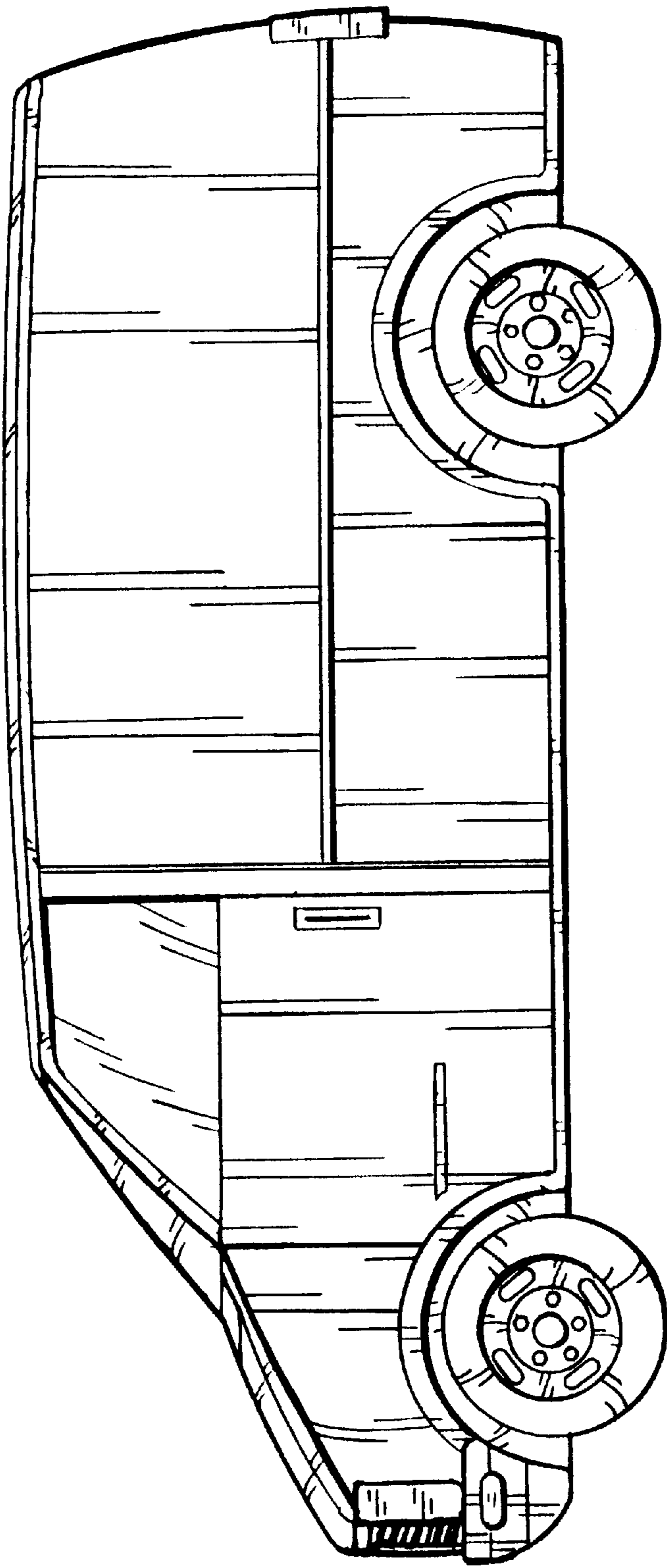


FIG. 3

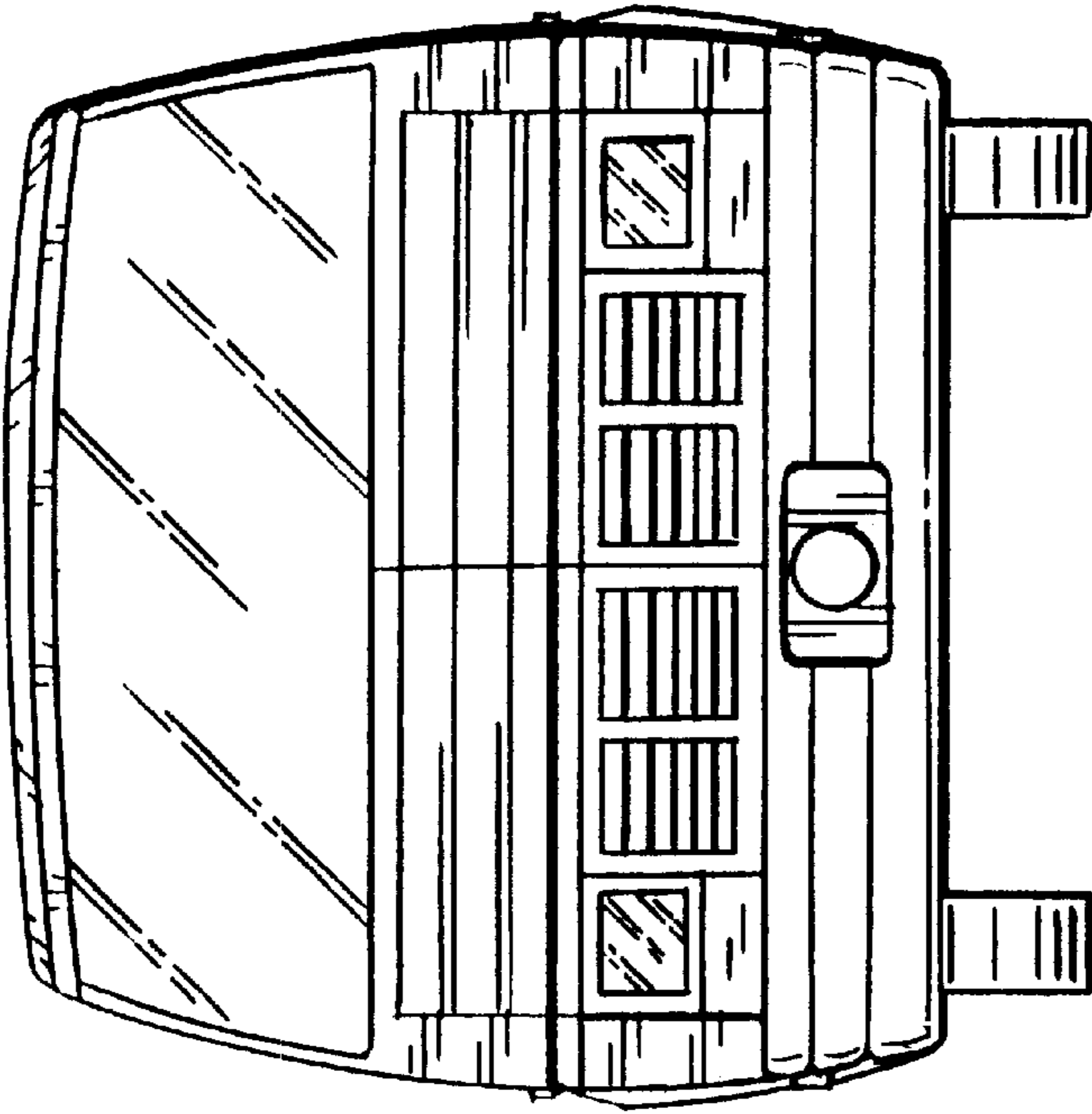


FIG. 4

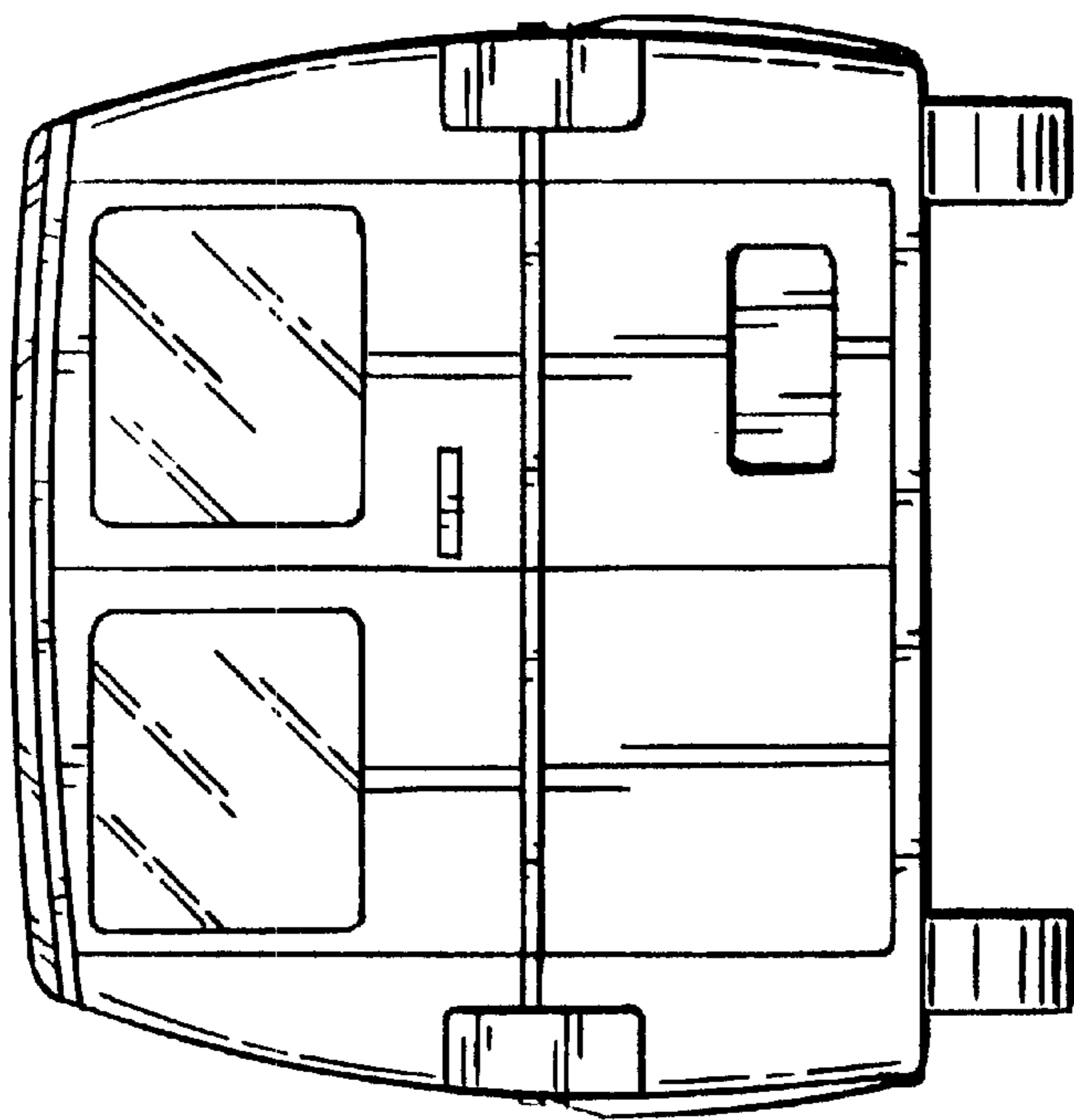
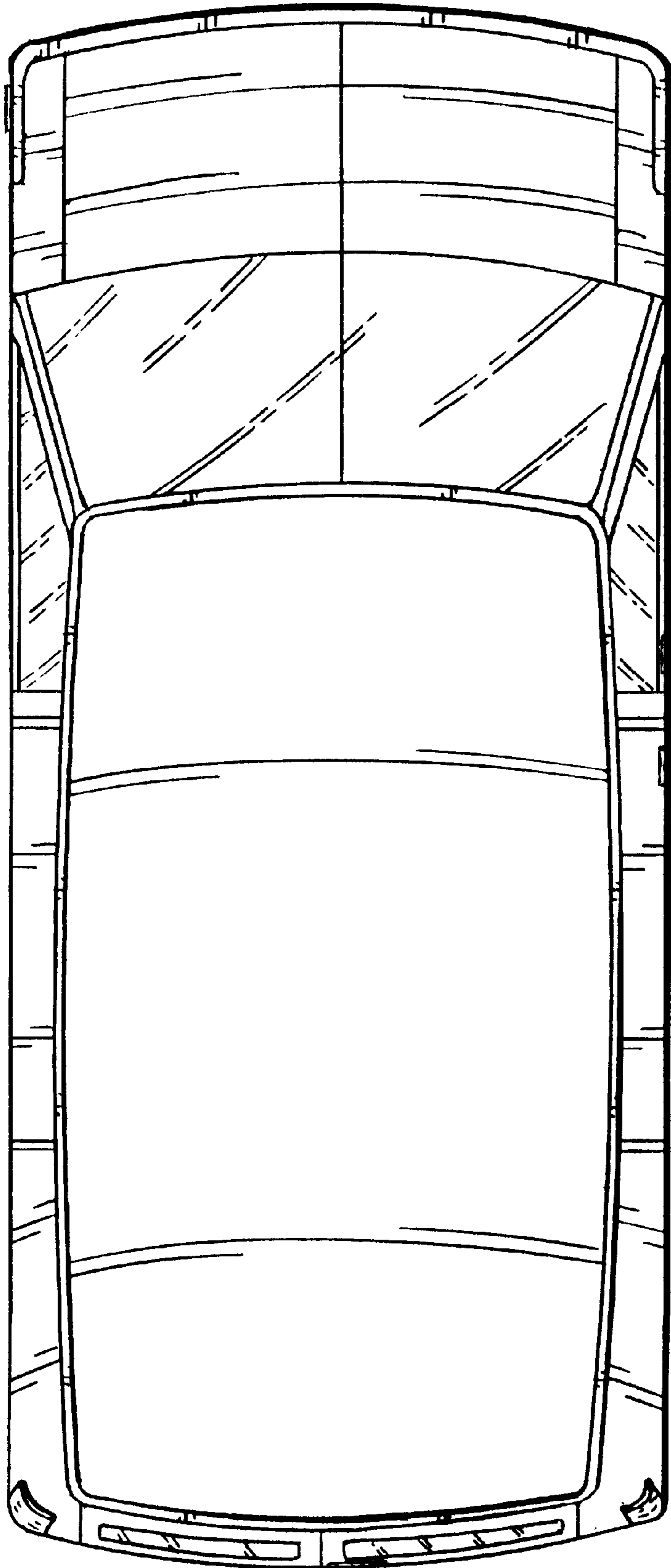


FIG. 5





**FIG. 6**

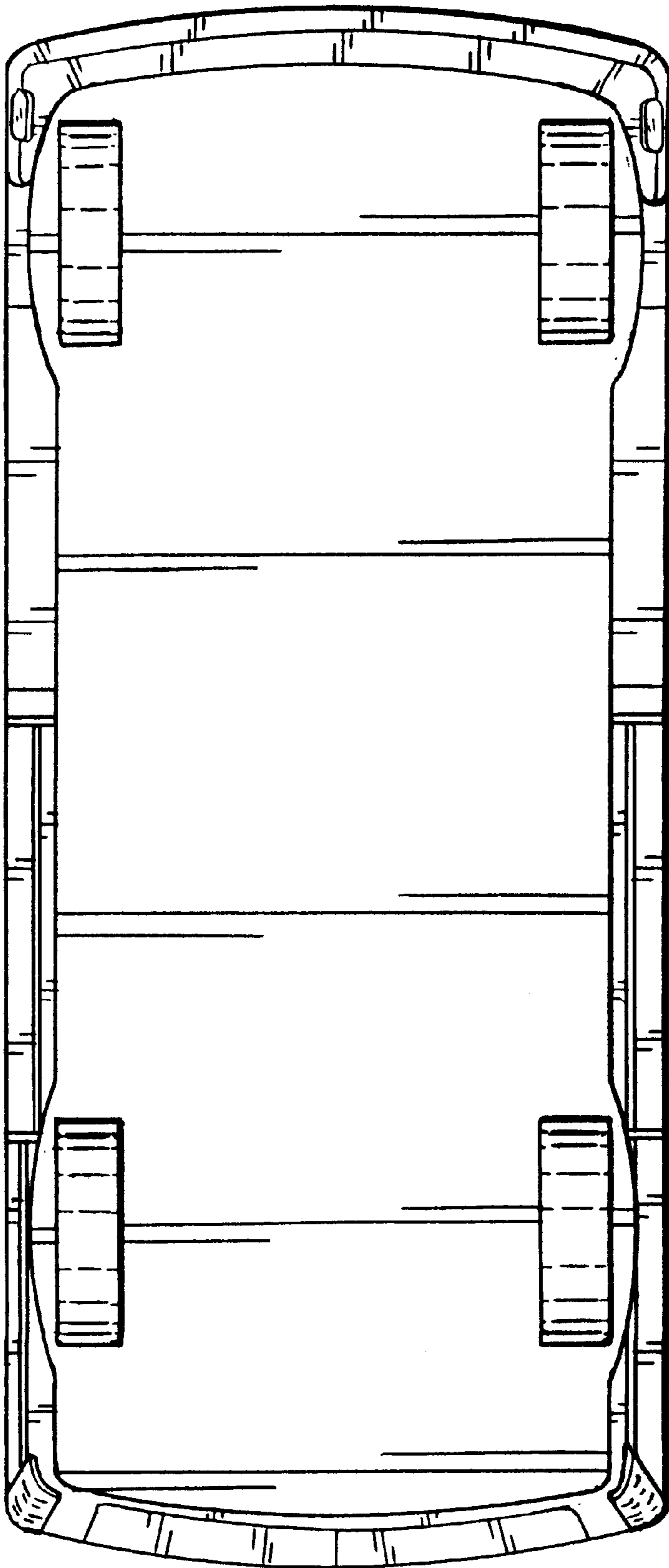


FIG. 7