



US00D440967S

(12) **United States Design Patent**
Jung

(10) **Patent No.:** **US D440,967 S**

(45) **Date of Patent:** **** Apr. 24, 2001**

(54) **ELECTRONIC GAME**

5,774,096 * 6/1998 Usuki et al. 345/8
5,781,165 * 7/1998 Tabata 345/8

(75) Inventor: **Won Y. Jung**, Berkeley, CA (US)

* cited by examiner

(73) Assignee: **Radica Games Limited (VG)**

Primary Examiner—Prabhakar Deshmukh

(**) Term: **14 Years**

(74) *Attorney, Agent, or Firm*—Roylance, Abrams, Berdo & Goodman, L.L.P.

(21) Appl. No.: **29/118,344**

(57) **CLAIM**

(22) Filed: **Feb. 9, 2000**

The ornamental design for a electronic game, as shown and described.

(51) **LOC (7) Cl.** **14-02**

(52) **U.S. Cl.** **D14/372**

(58) **Field of Search** D14/372, 496,
D14/371; D21/324; D29/103-112; D26/38,
39; 273/148 B; 463/1, 29-35, 46, 47; 345/7,
8, 9, 905; 348/53, 115, 121, 838; 359/407,
431, 443, 480, 530; 351/158

DESCRIPTION

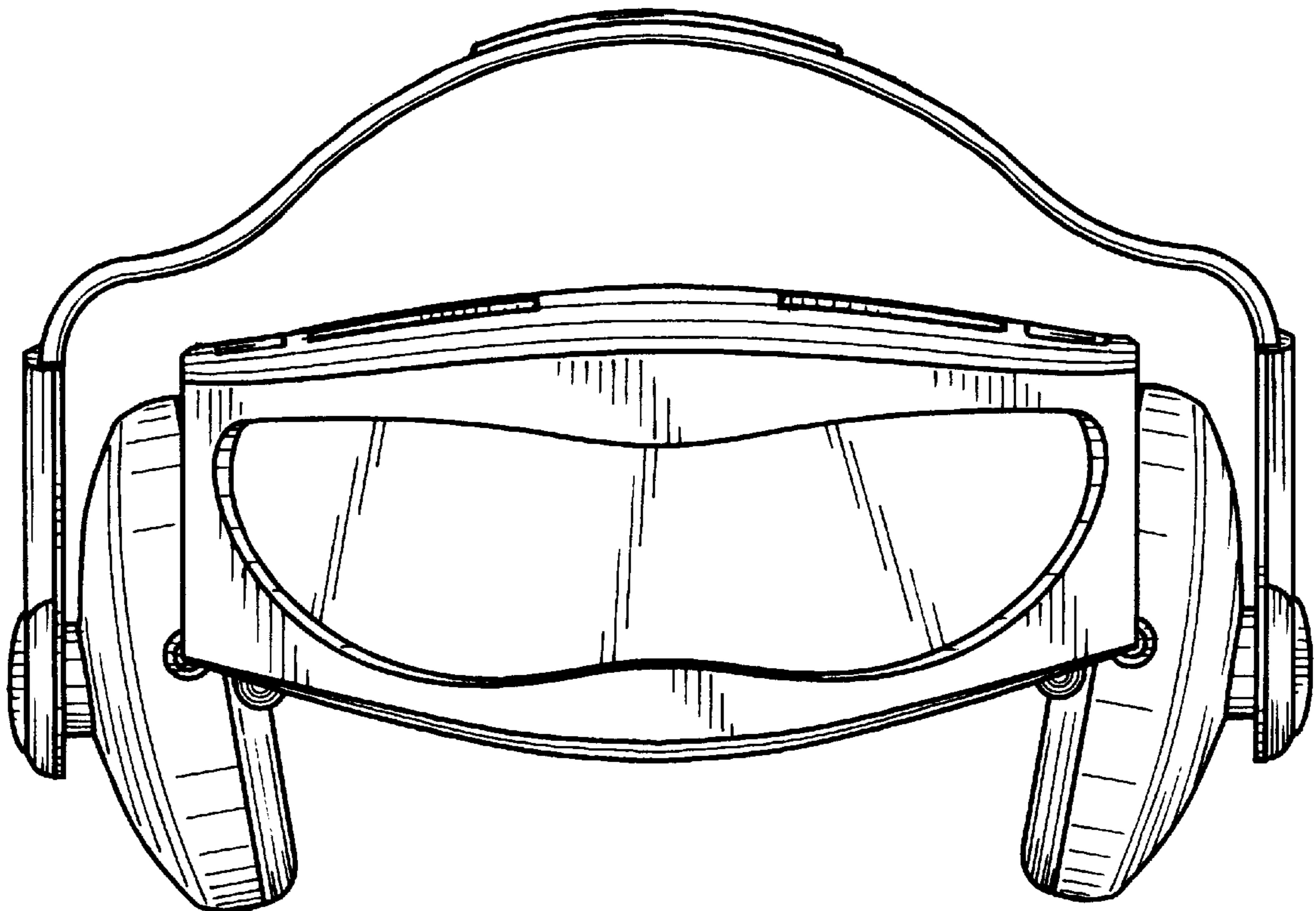
FIG. 1 is a front elevational view of a electronic game in accordance with the new design;
FIG. 2 is a rear elevational view of the electronic game illustrated in FIG. 1;
FIG. 3 is a right side elevational view of the electronic game illustrated in FIGS. 1 and 2;
FIG. 4 is a left side elevational view of the electronic game illustrated in FIGS. 1-3;
FIG. 5 is a top plan view of the electronic game illustrated in FIGS. 1-4; and,
FIG. 6 is a bottom plan view of the electronic game illustrated in FIGS. 1-5.

(56) **References Cited**

U.S. PATENT DOCUMENTS

- D. 375,495 * 11/1996 MacInness et al. D14/372
- D. 375,731 * 11/1996 Holmes et al. D14/372
- D. 383,455 * 9/1997 MacInness et al. D14/372
- D. 392,629 * 3/1998 Amafuji et al. D14/372
- D. 472,982 * 7/2000 Ishii D14/496
- 5,757,339 * 5/1998 Williams et al. 345/8

1 Claim, 4 Drawing Sheets



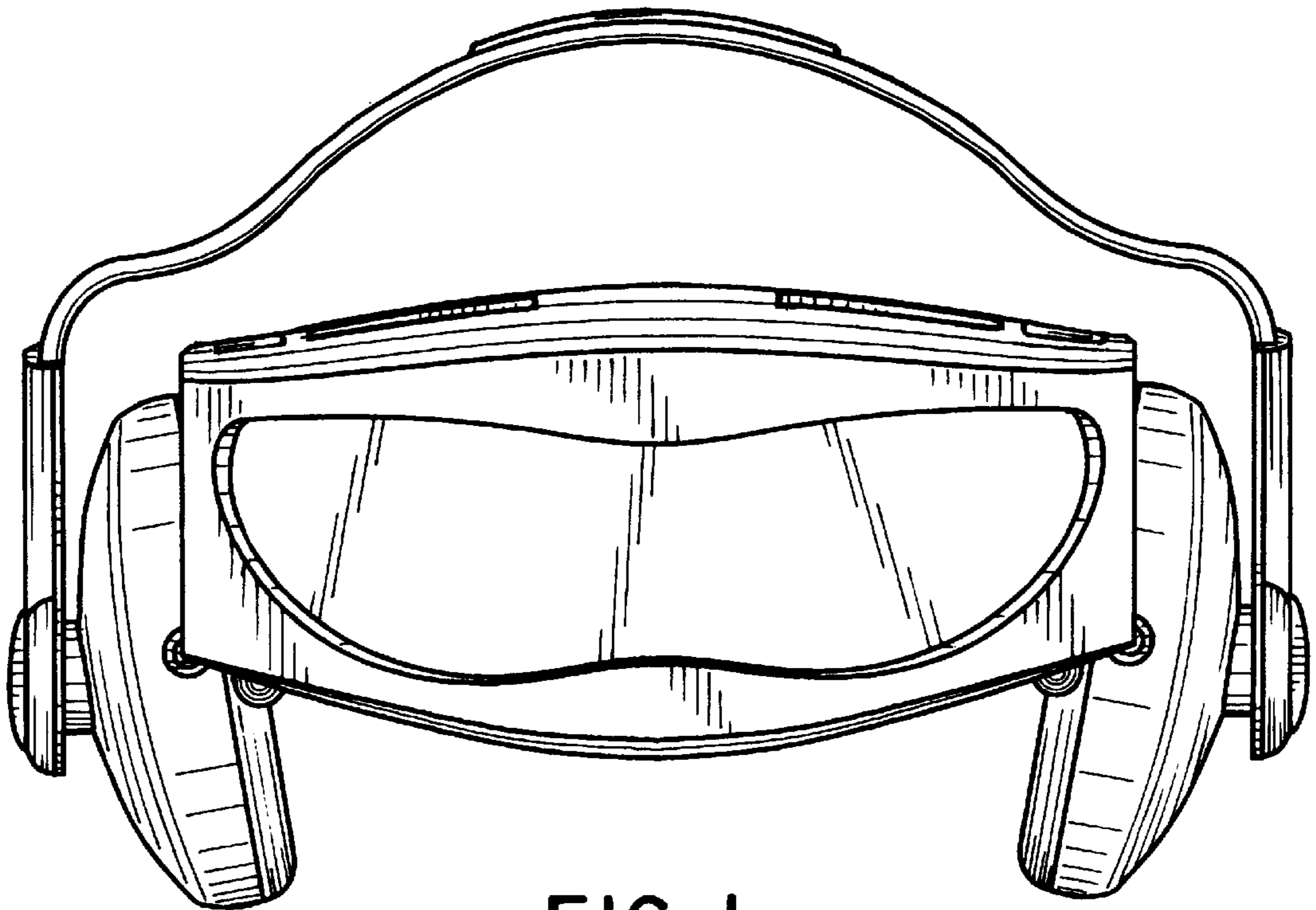


FIG. 1

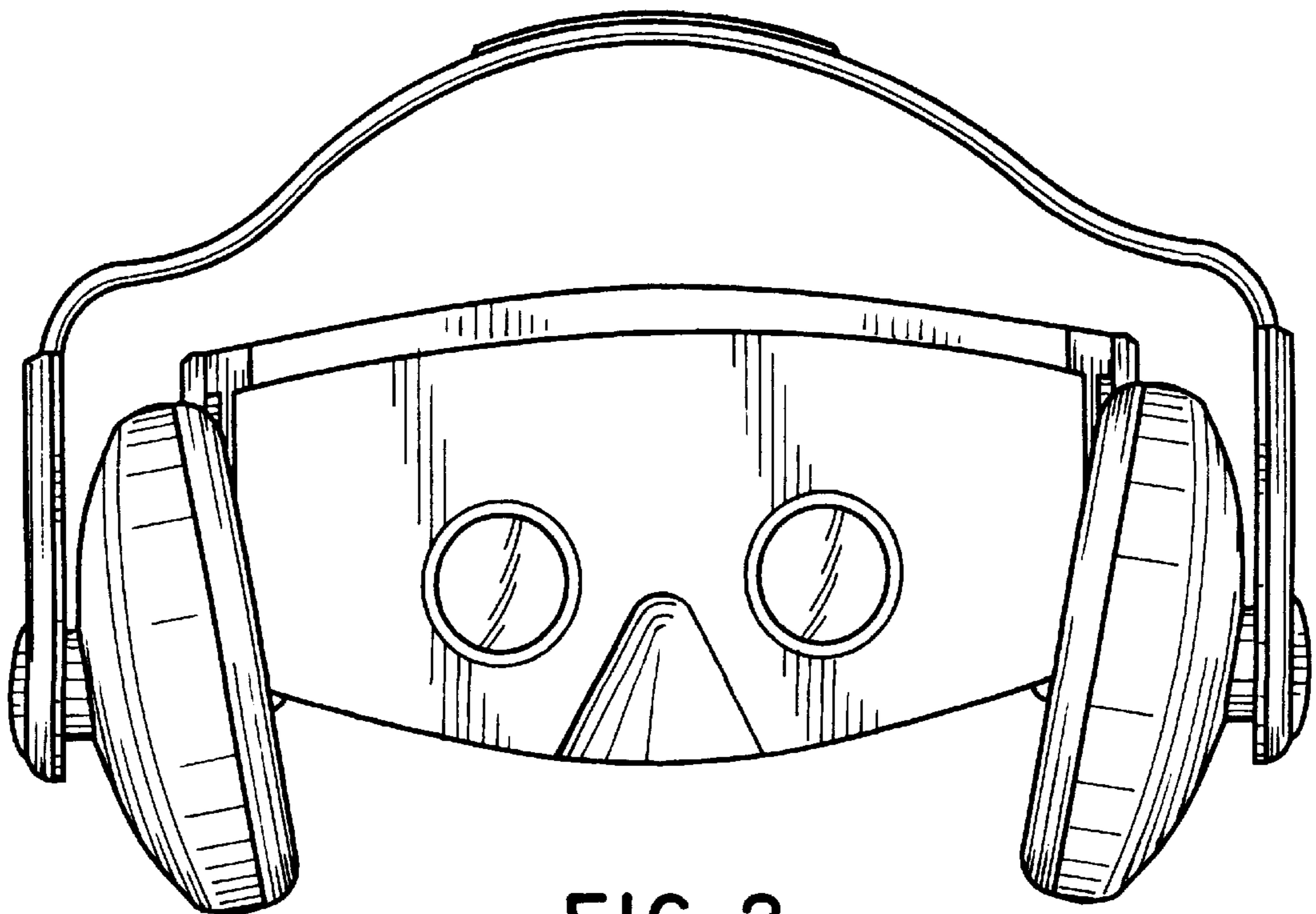


FIG. 2

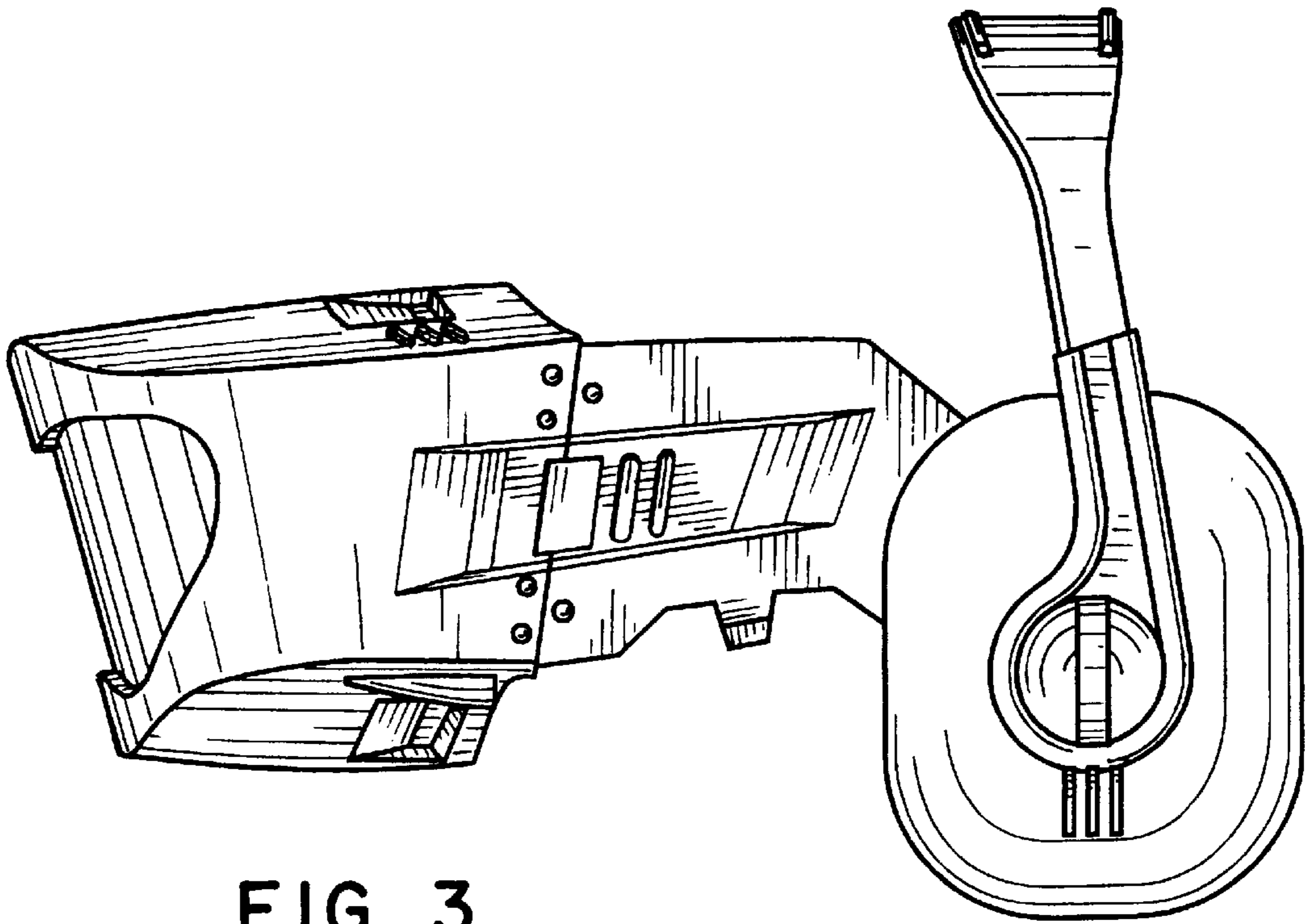


FIG. 3

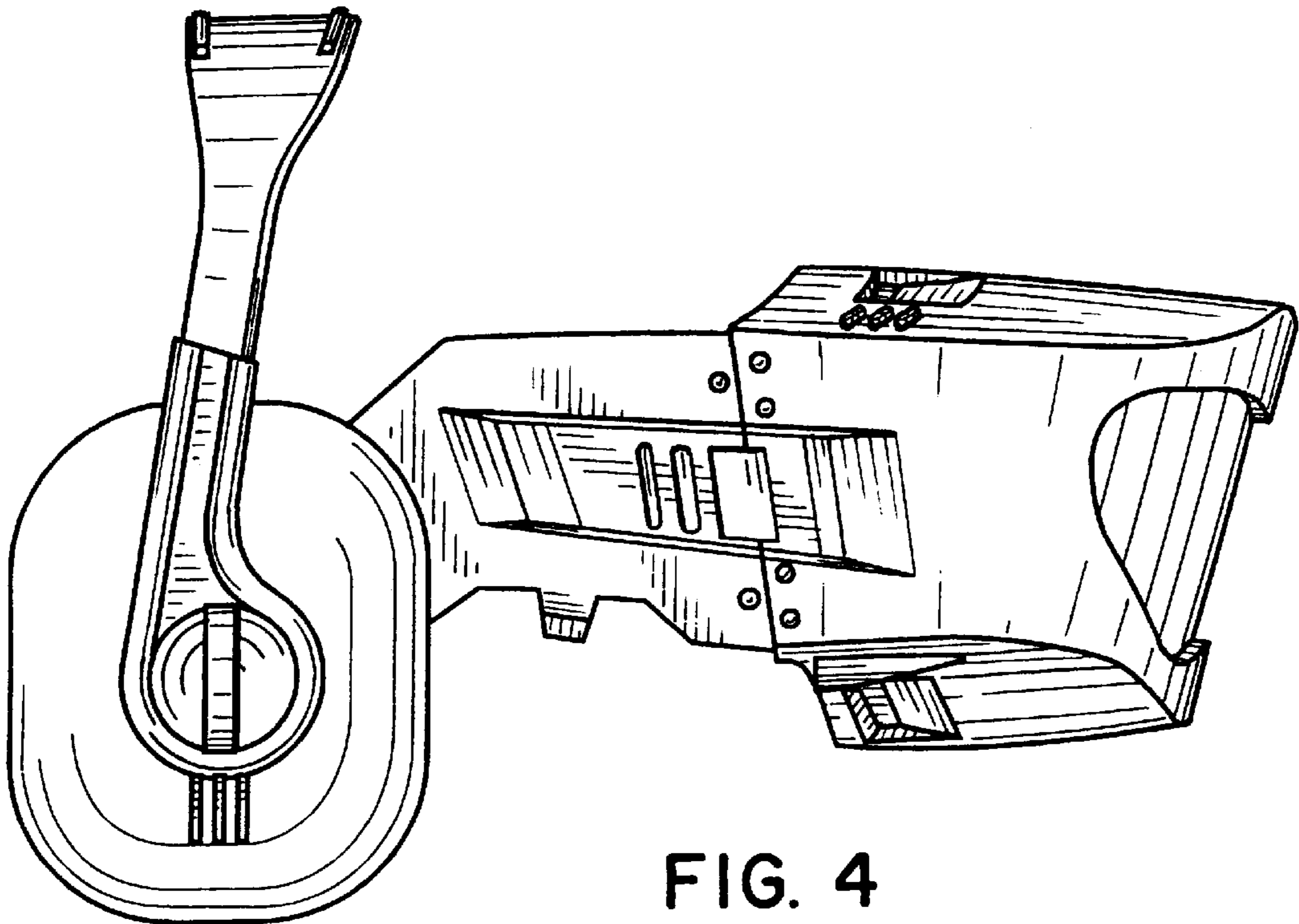


FIG. 4

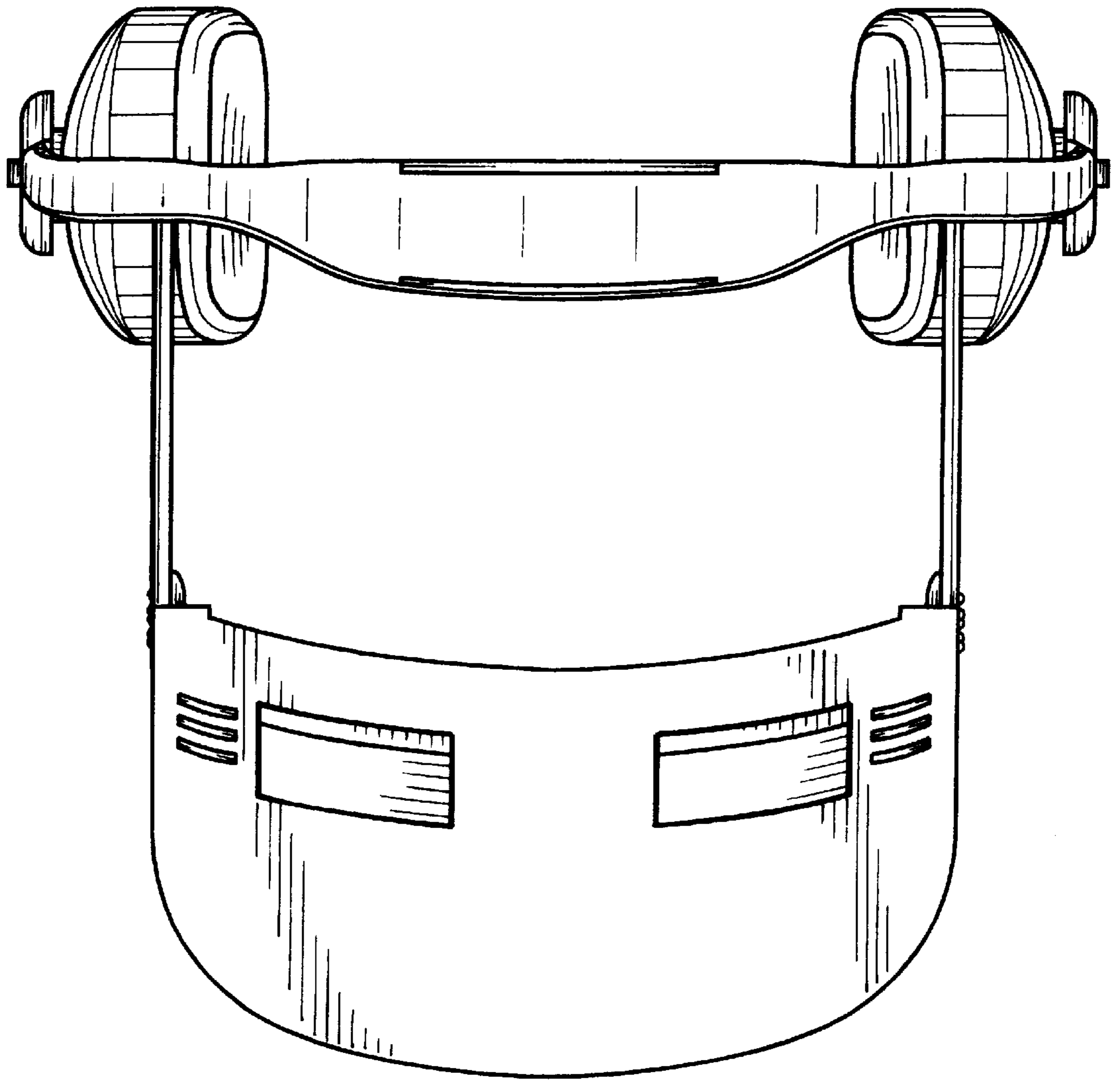


FIG. 5

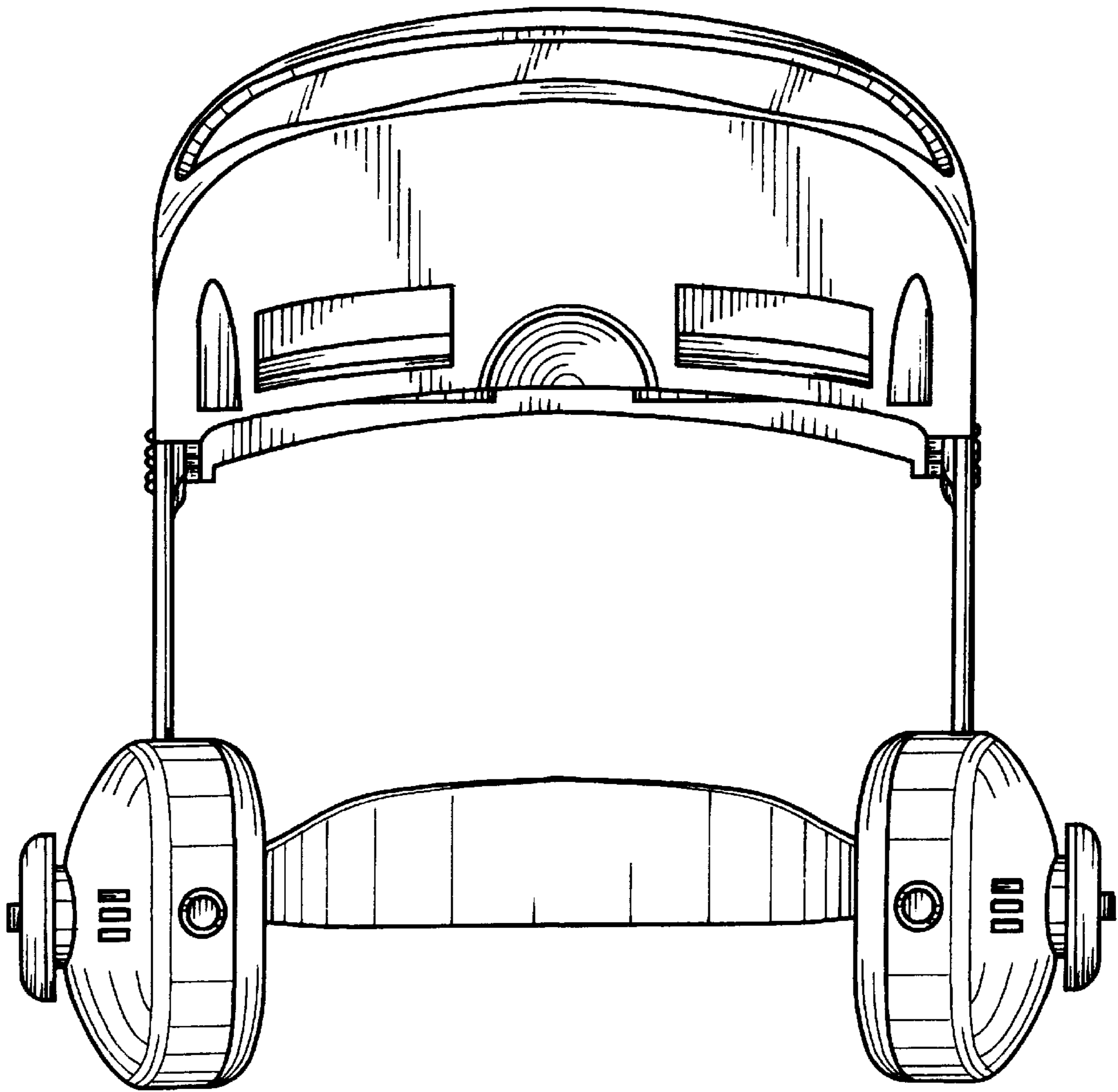


FIG. 6