



US00D440963S

(12) **United States Design Patent**  
**Mueth**

(10) **Patent No.:** **US D440,963 S**

(45) **Date of Patent:** **\*\* Apr. 24, 2001**

(54) **ANTENNA ORNAMENT**

(76) **Inventor:** **Cindy Mueth**, 10 Arlington Ct.,  
Smithton, IL (US) 62285

(\*\*) **Term:** **14 Years**

(21) **Appl. No.:** **29/118,300**

(22) **Filed:** **Feb. 7, 2000**

(51) **LOC (7) Cl.** ..... **14-03**

(52) **U.S. Cl.** ..... **D14/232**

(58) **Field of Search** ..... D14/232, 230;  
D12/162; 40/591, 592; 116/28 R; D21/713;  
473/52

(56) **References Cited**

**U.S. PATENT DOCUMENTS**

- D. 421,441 \* 3/2000 Aananson ..... D12/232
- 979,397 \* 10/1910 Burt ..... 473/52
- 5,836,261 \* 3/2000 Sutton ..... 116/28 R

**OTHER PUBLICATIONS**

Hong Kong Toys, vol. 1, p. 184. Billiard Balls uper right,  
Dec. 1993.\*

\* cited by examiner

*Primary Examiner*—Louis S. Zarfaz

*Assistant Examiner*—Gregory Andoll

(74) *Attorney, Agent, or Firm*—Goldstein & Canino

(57) **CLAIM**

The ornamental design for an antenna ornament, as shown  
and described.

**DESCRIPTION**

FIG. 1 is a perspective view of an antenna ornament in full  
lines with a car shown in broken lines representing envi-  
ronmental association matter being for illustrative purposes  
only and forming no part of the claimed invention;

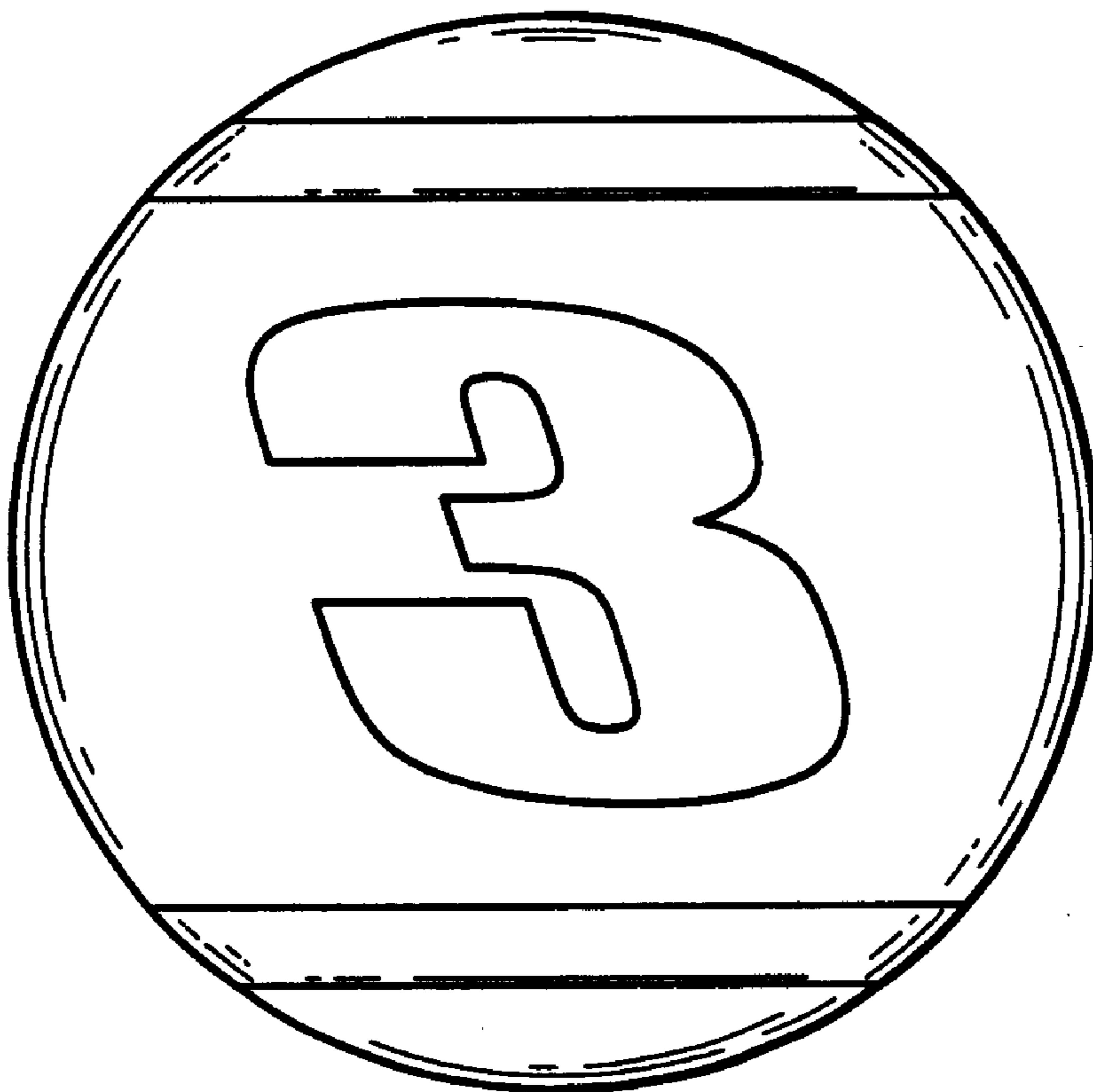
FIG. 2 is a front elevational view of the antenna ornament,  
the rear elevational view being a mirror image of the front  
view;

FIG. 3 is a left side elevational view thereof, the right side  
elevational view being a mirror image of the left side  
elevational view;

FIG. 4 is a bottom plan view thereof; and,

FIG. 5 is a top plan view thereof.

**1 Claim, 2 Drawing Sheets**



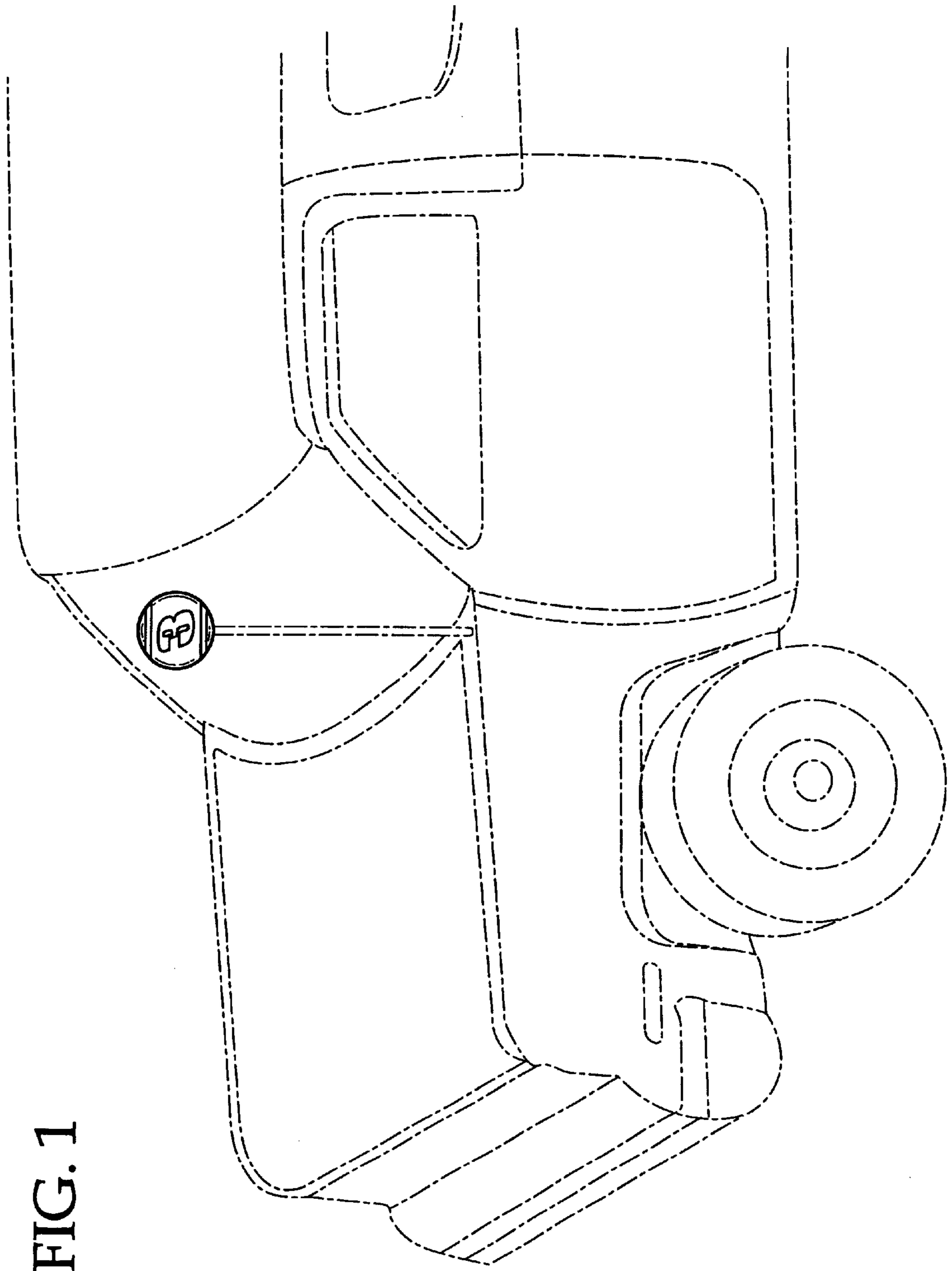


FIG. 1

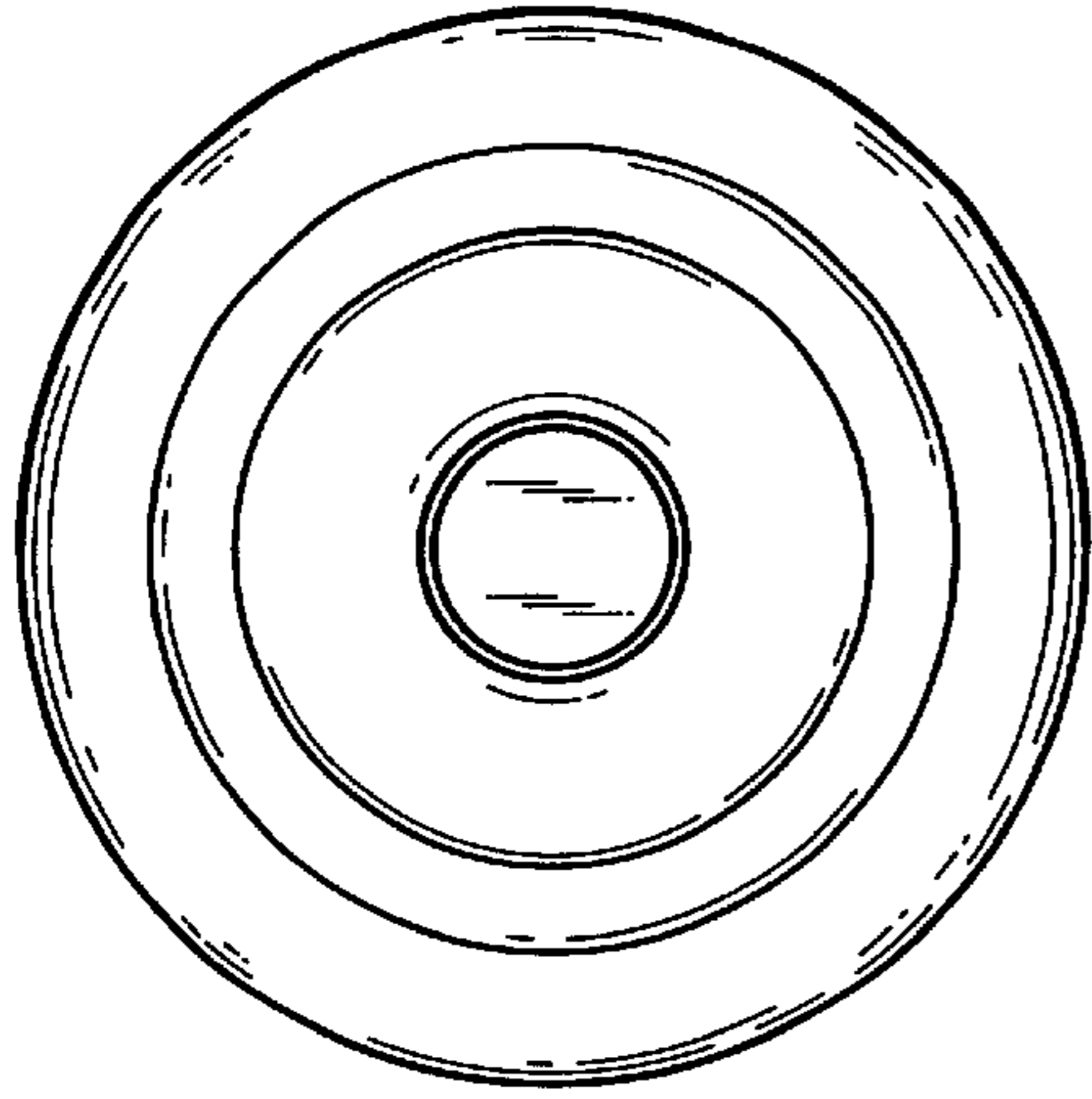


FIG. 4

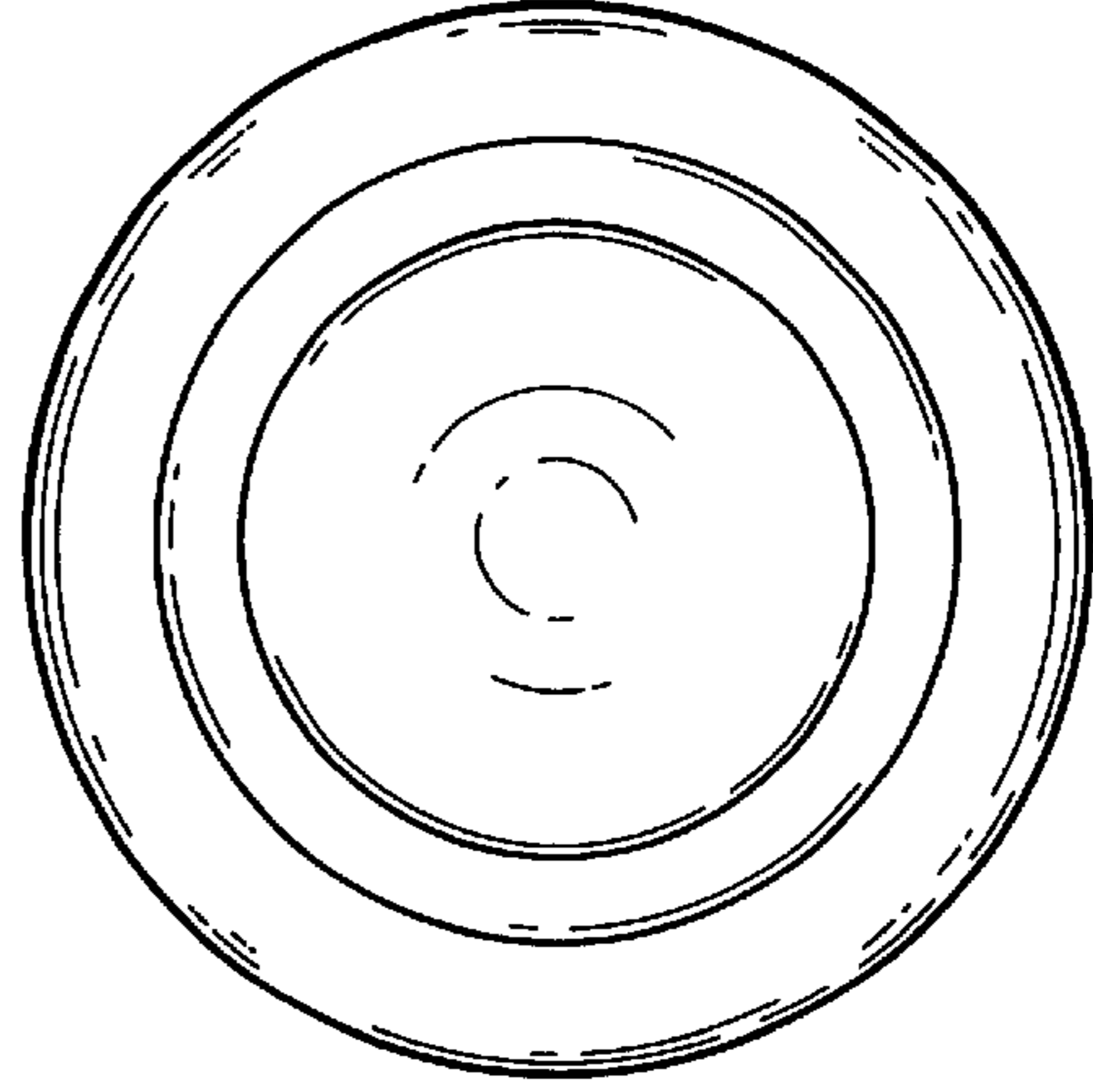


FIG. 5

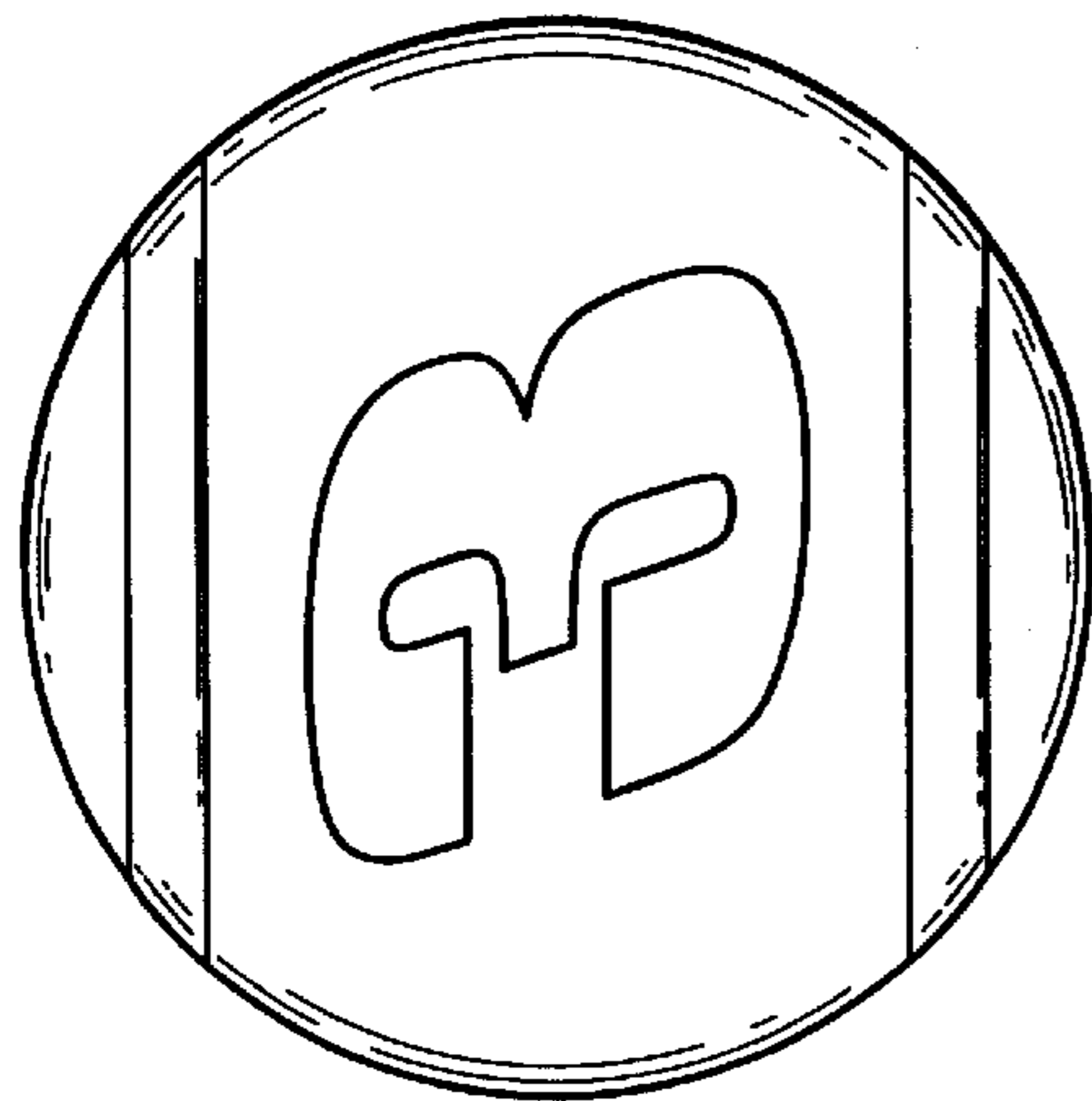


FIG. 2

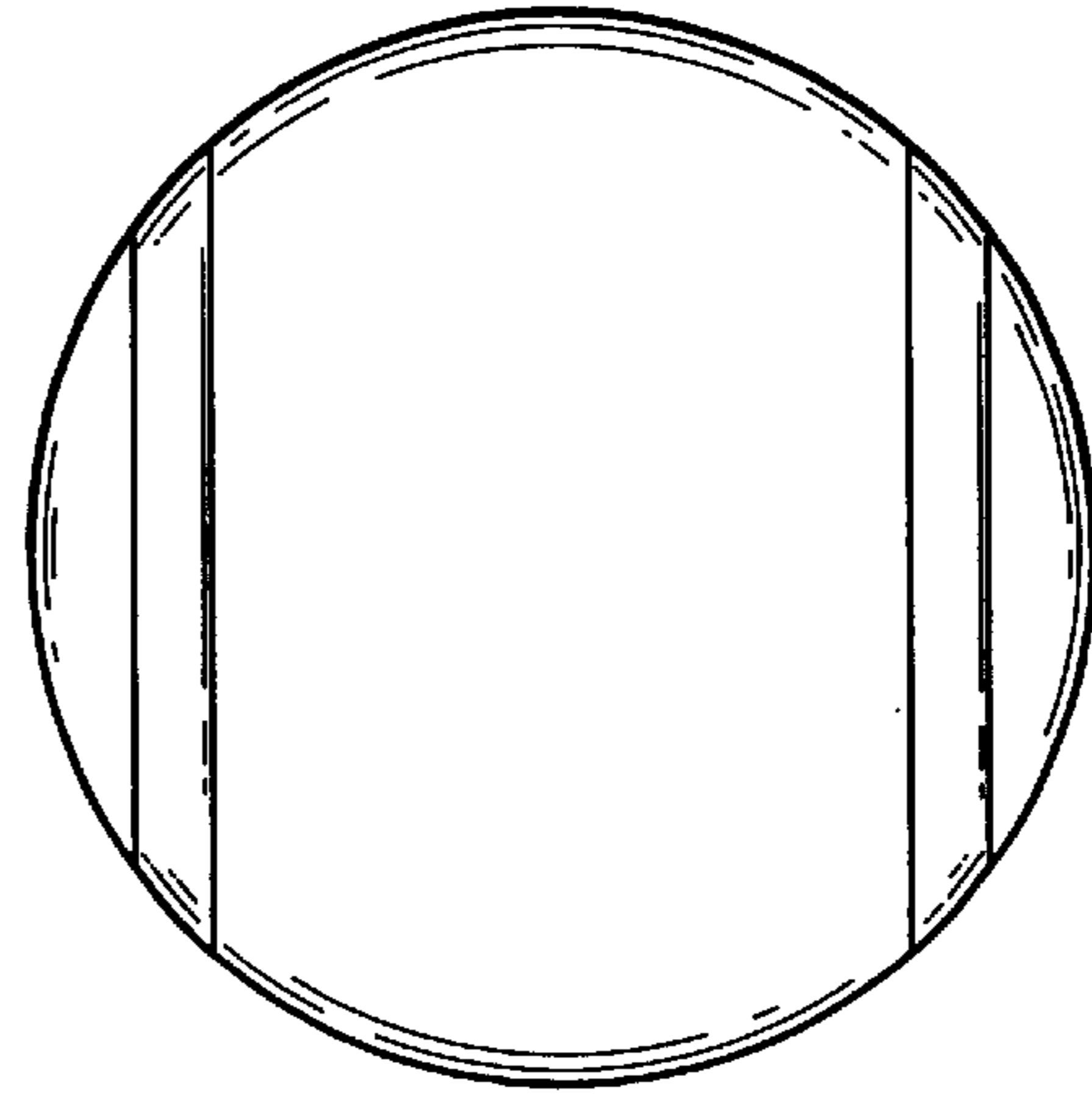


FIG. 3