



US00D440961S

(12) **United States Design Patent**
Inoue

(10) **Patent No.:** **US D440,961 S**

(45) **Date of Patent:** **** Apr. 24, 2001**

(54) **ANTENNA**

(75) **Inventor:** **Shigemi Inoue, Kobe (JP)**

(73) **Assignee:** **DX Antenna Company, Limited, Kobe (JP)**

(**) **Term:** **14 Years**

(21) **Appl. No.:** **29/120,075**

(22) **Filed:** **Mar. 14, 2000**

(51) **LOC (7) Cl. 14-03**

(52) **U.S. Cl. D14/230**

(58) **Field of Search D14/230-238;**
343/834, 901, 823, 815, 818, 819

(56) **References Cited**

U.S. PATENT DOCUMENTS

D. 132,380	*	5/1942	Page	D14/230
D. 229,832	*	1/1974	Finkel	D14/230
D. 265,905	*	8/1982	Bogner	D14/230
D. 363,935		11/1995	McGreevy .		
D. 364,874		12/1995	Cheng .		
D. 401,594		11/1998	Nishimura et al. .		
D. 427,997	*	7/2000	Inoue	D14/235
2,819,463	*	1/1958	Vail et al.	343/815
3,228,031	*	1/1966	Kitamura et al.	343/818
3,495,250	*	2/1970	Farran et al.	343/834
4,028,709	*	6/1977	Berkowitz et al.	343/819

* cited by examiner

Primary Examiner—Louis S. Zarfes

Assistant Examiner—Gregory Andoll

(74) *Attorney, Agent, or Firm*—Duane, Morris & Heckscher LLP

(57) **CLAIM**

The ornamental design for an antenna, as shown and described.

DESCRIPTION

FIG. 1 is a front, right side perspective view of an antenna with rod antennas thereof fully retracted into a generally octagonal antenna casing;

FIG. 2 is a front elevational view of the antenna shown in FIG. 1;

FIG. 3 is a rear elevational view of the antenna shown in FIG. 1;

FIG. 4 is a top plan view of the antenna shown in FIG. 1;

FIG. 5 is a bottom plan view of the antenna shown in FIG. 1;

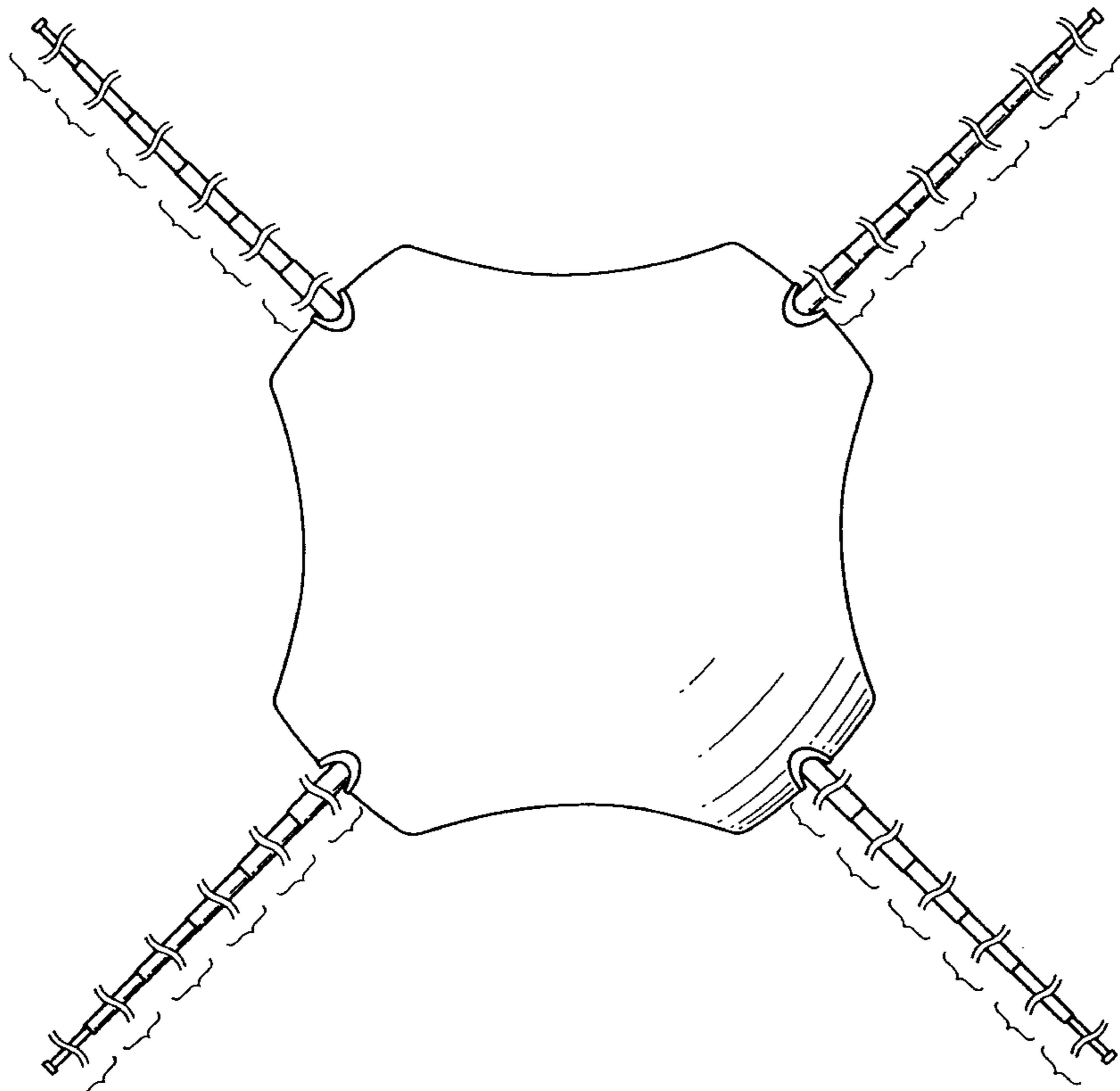
FIG. 6 is a left side elevational view of the antenna shown in FIG. 1, the right side being a mirror image thereof;

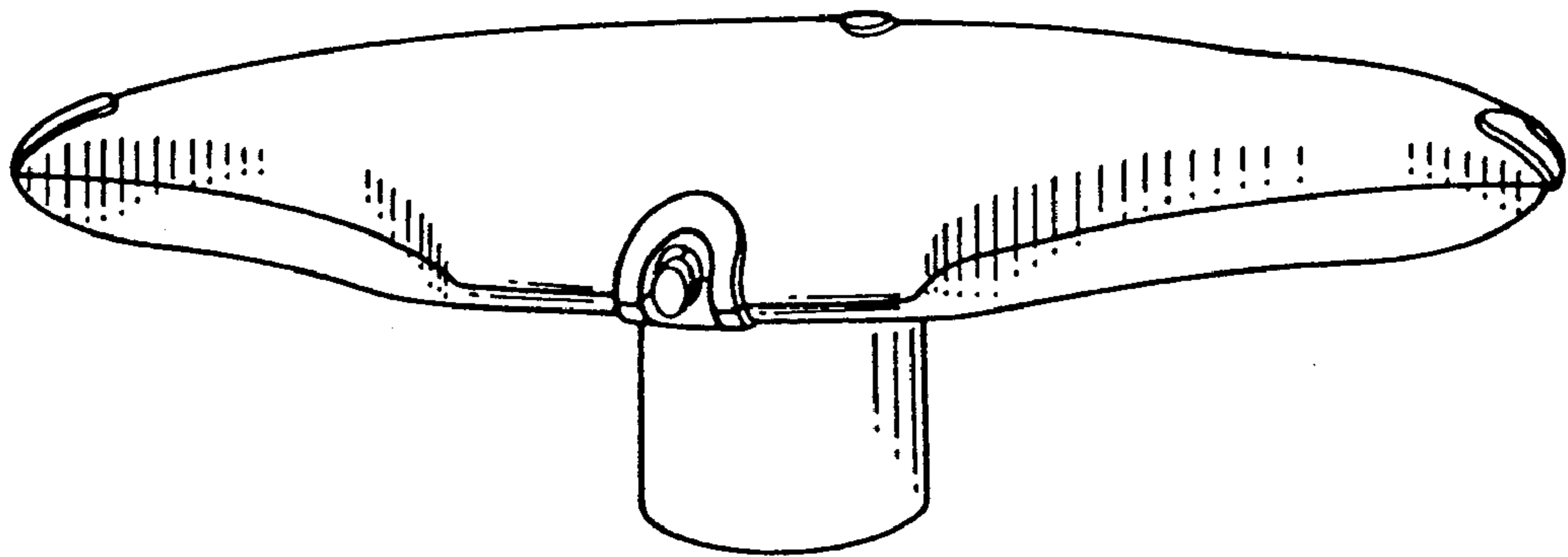
FIG. 7 is an elevational view of the antenna shown in FIG. 1 viewed from the direction 45 degrees offset leftward from the front; and,

FIG. 8 is a top plan view of the antenna with the rod antenna elements in their fully extended position, but each rod elements being shown cut short.

The broken away showing of the antenna rods indicate that they are of indeterminate length.

1 Claim, 5 Drawing Sheets





F I G . 1

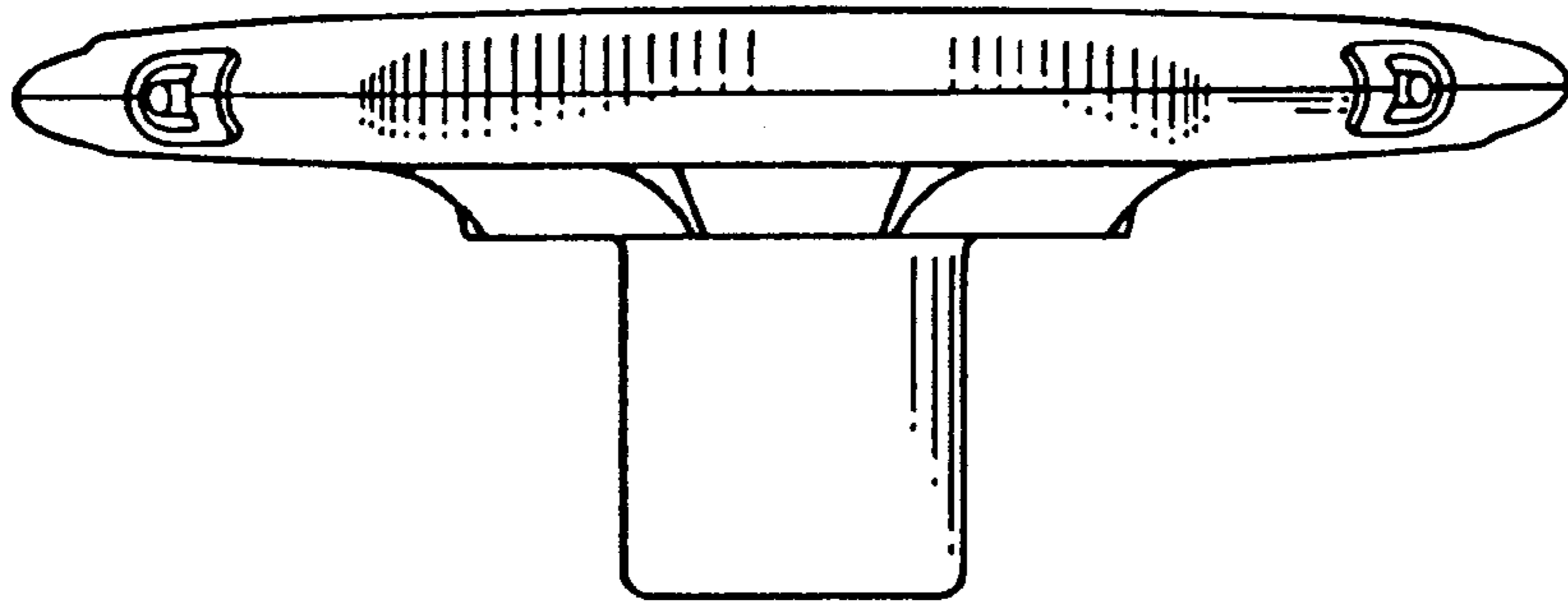


FIG. 2

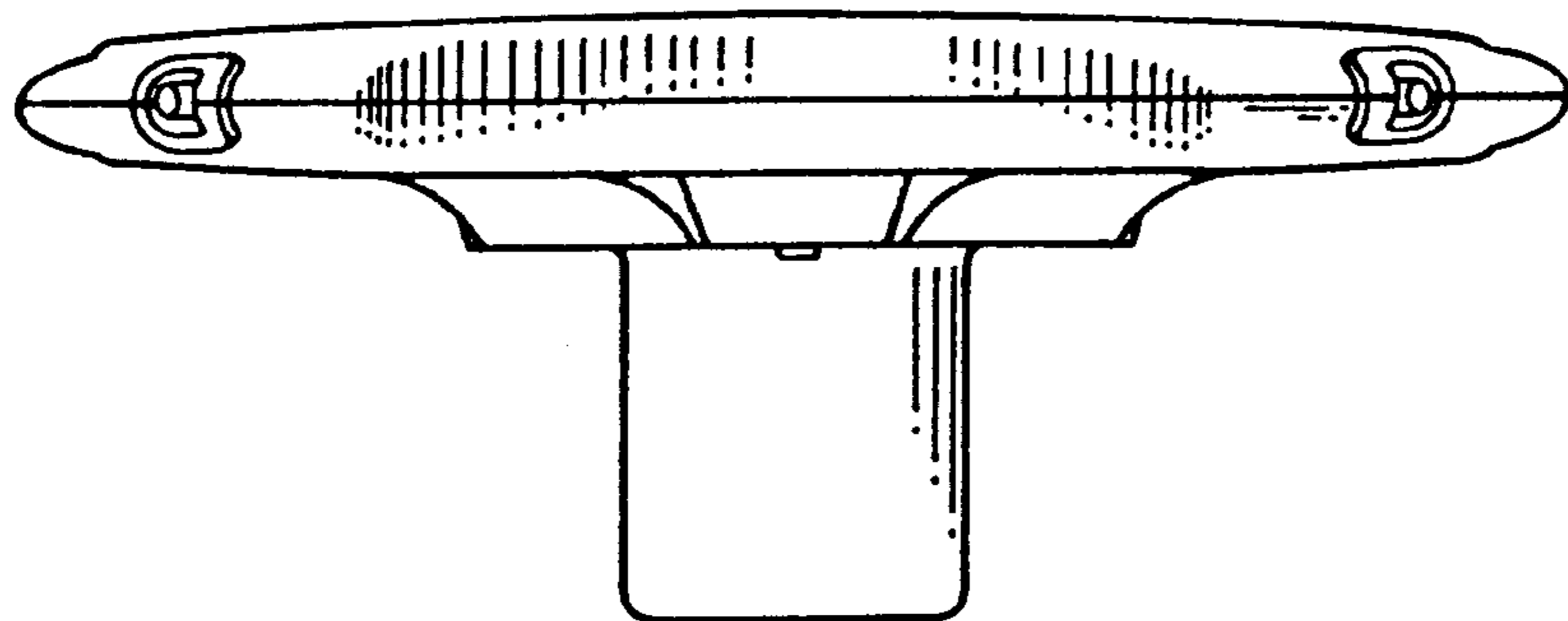


FIG. 3

FIG. 4

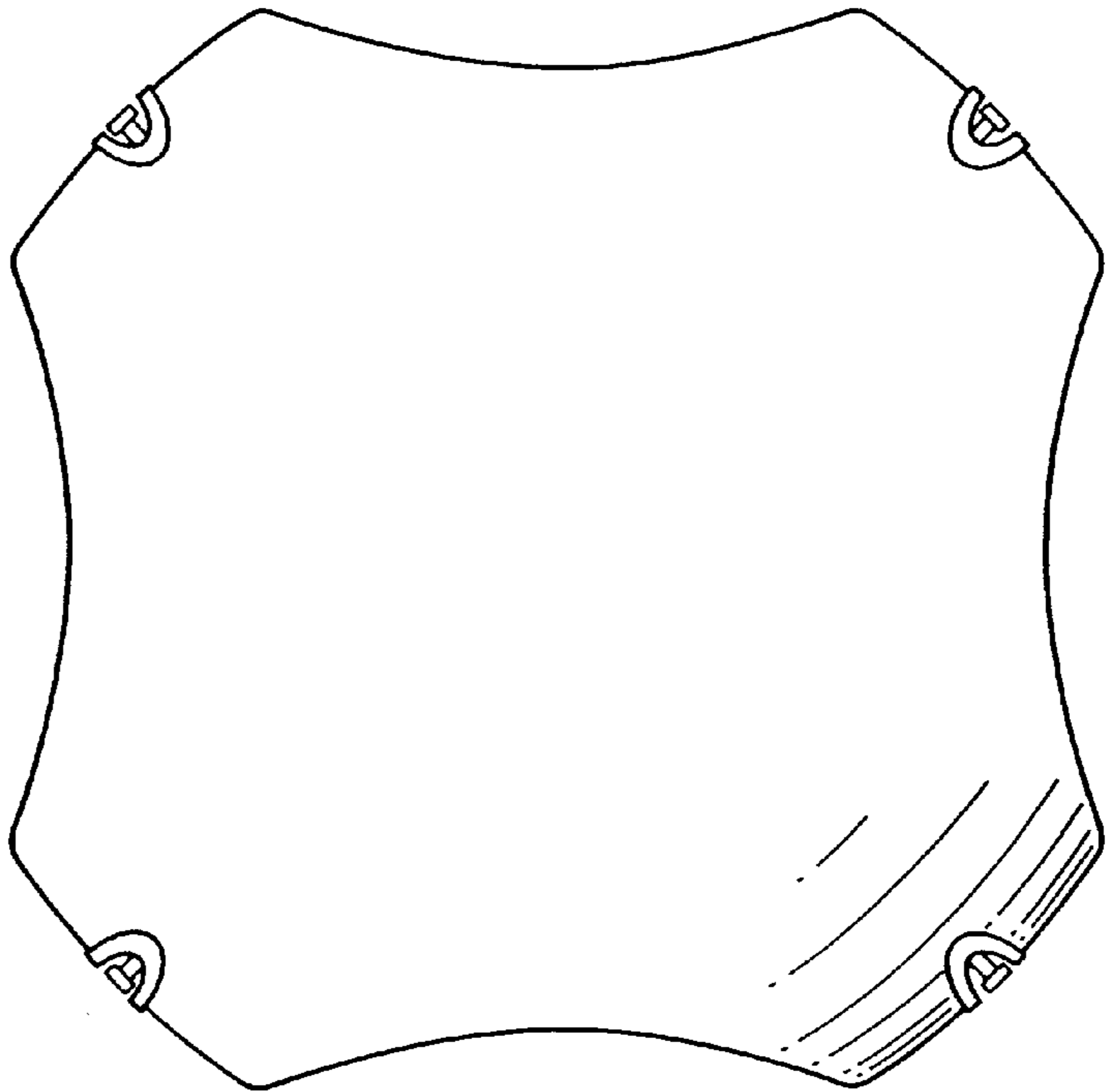
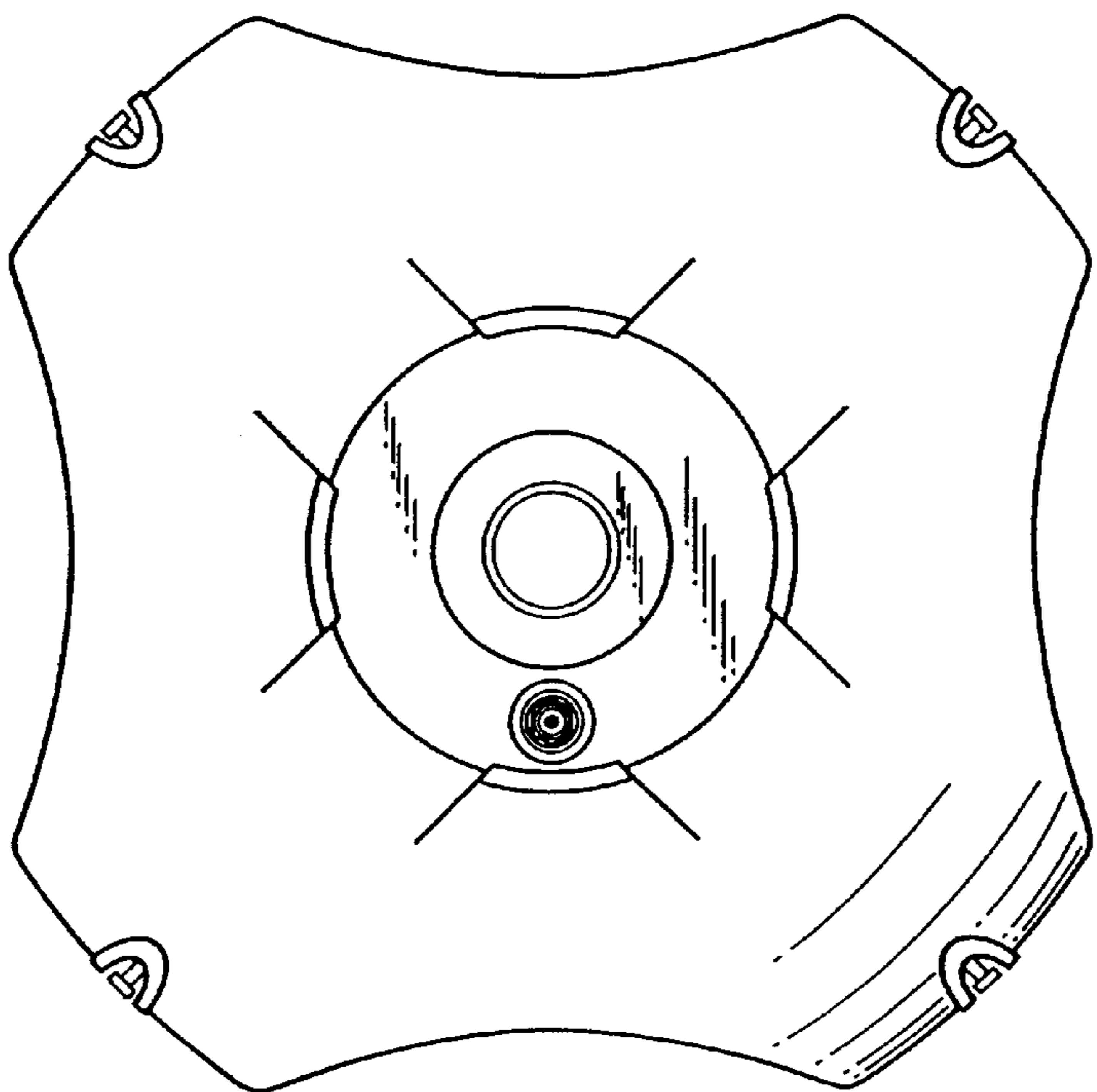


FIG. 5



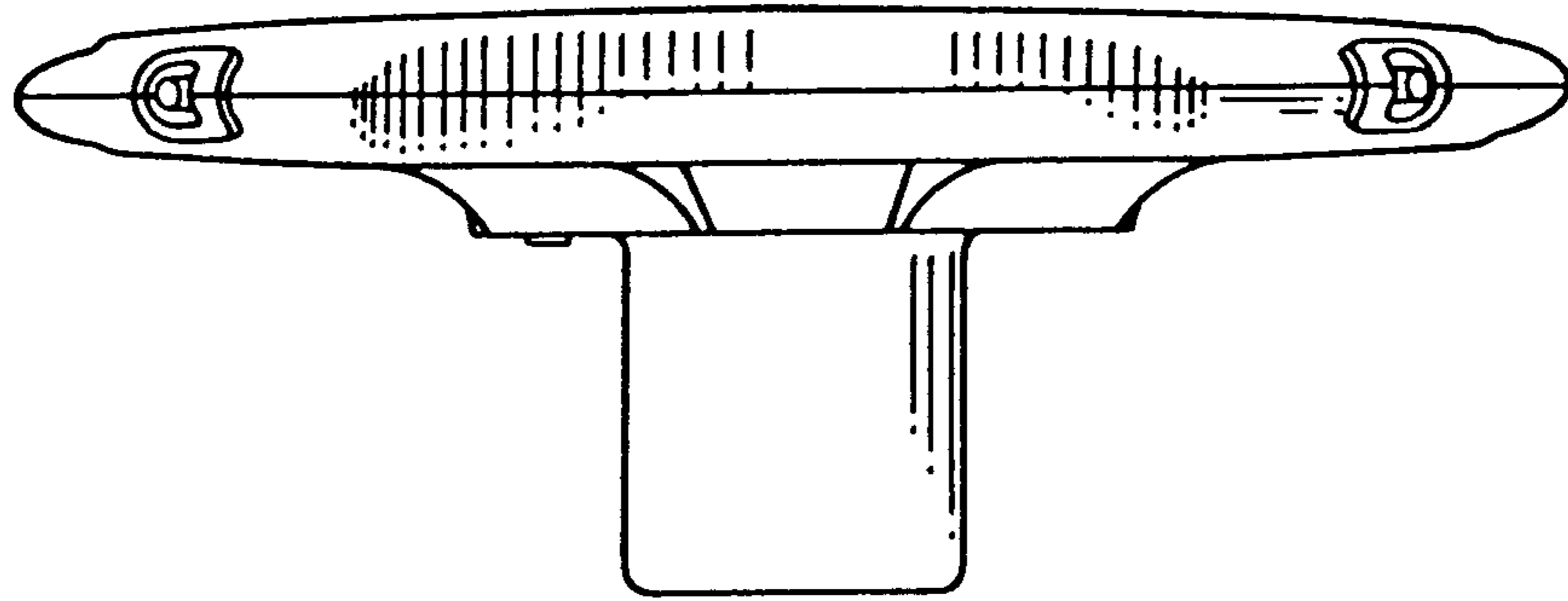


FIG. 6

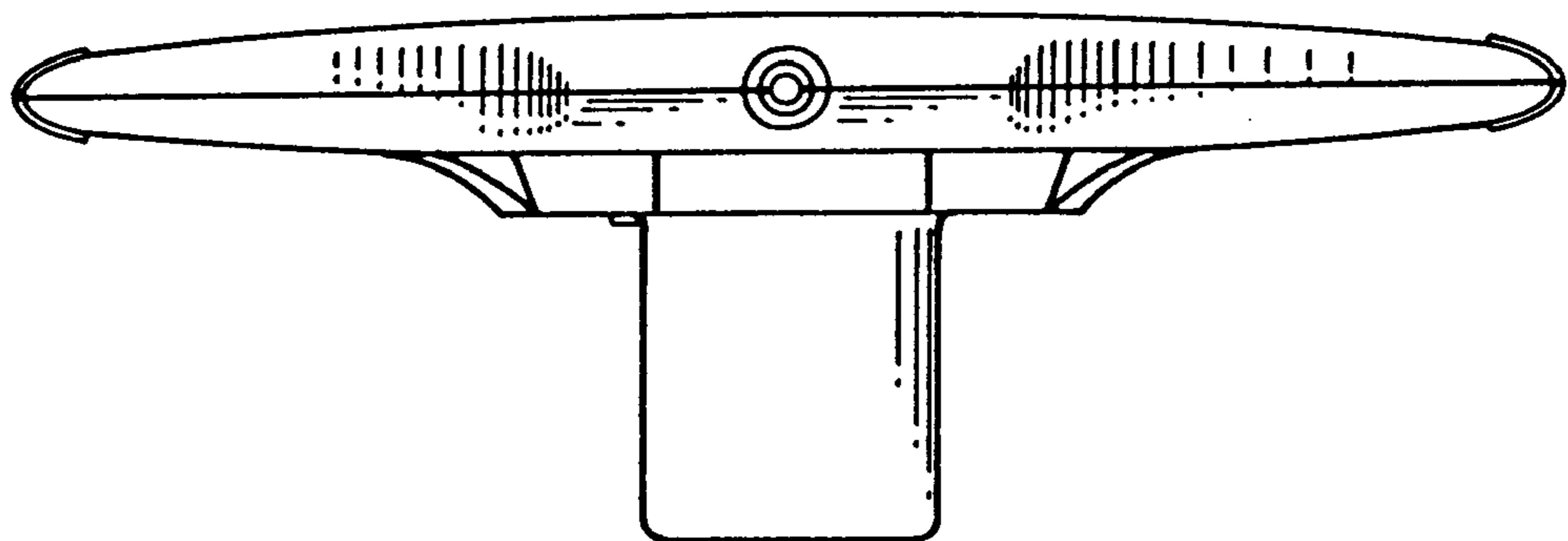
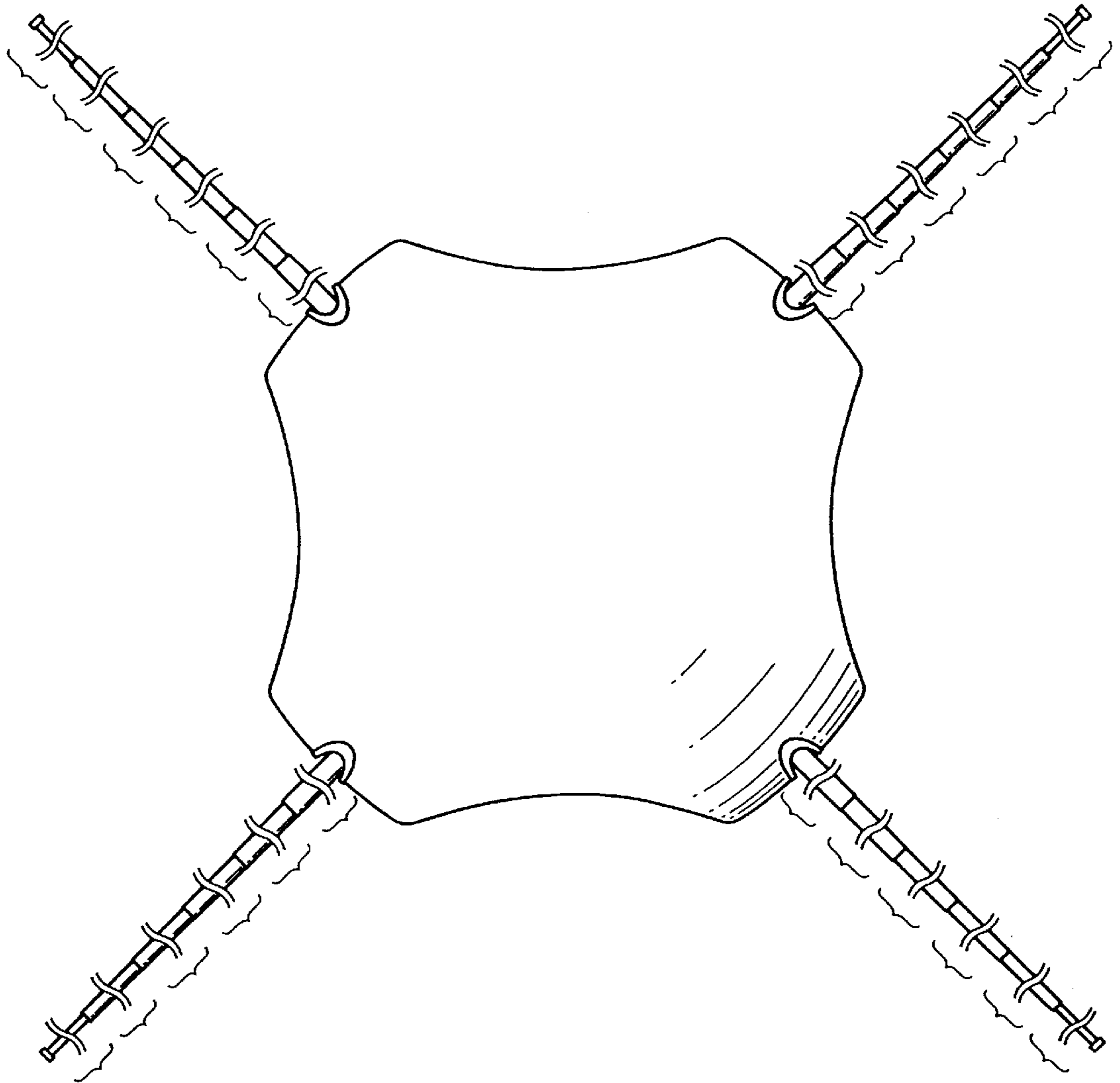


FIG. 7



F I G . 8