



US00D440959S

(12) **United States Design Patent**  
**Wolf et al.**

(10) **Patent No.:** **US D440,959 S**

(45) **Date of Patent:** **\*\* Apr. 24, 2001**

(54) **MESSAGING DEVICE**

(75) Inventors: **Monika Romana Wolf; John Barclay Ledingham**, both of Parkland; **Paul Lynn Fordham**, Lake Worth; **Charles Alan Actor; Heidi Hildegard Klier**, both of Boca Raton, all of FL (US)

(73) Assignee: **Motorola, Inc.**, Schaumburg, IL (US)

(\*\*) Term: **14 Years**

(21) Appl. No.: **29/128,864**

(22) Filed: **Sep. 1, 2000**

(51) **LOC (7) Cl.** ..... **14-03**

(52) **U.S. Cl.** ..... **D14/191; D14/137; D14/138; D18/7**

(58) **Field of Search** ..... D14/144, 188, D14/191-192, 244, 247, 320, 341-346; D18/1-2, 6-7; 340/311.1; 364/706-708; 455/92, 100, 124, 344

(56) **References Cited**

**U.S. PATENT DOCUMENTS**

- D. 355,166 \* 2/1995 Sakaguchi et al. .... D18/7 X
- D. 365,337 \* 12/1995 Tsiang et al. .... D14/325
- D. 367,494 \* 2/1996 Ohki ..... D18/2

- D. 379,181 \* 5/1997 Sawano et al. .... D14/191
- D. 382,560 \* 8/1997 Khoo et al. .... D14/191
- D. 386,497 \* 11/1997 Huslig et al. .... D14/191
- D. 409,987 \* 5/1999 Okumura ..... D18/7 X
- D. 416,256 \* 11/1999 Griffin et al. .... D14/191
- D. 420,663 \* 2/2000 Goldenberg et al. .... D18/7 X

\* cited by examiner

*Primary Examiner*—Nanda Bondade

(74) *Attorney, Agent, or Firm*—Philip P. Macnak

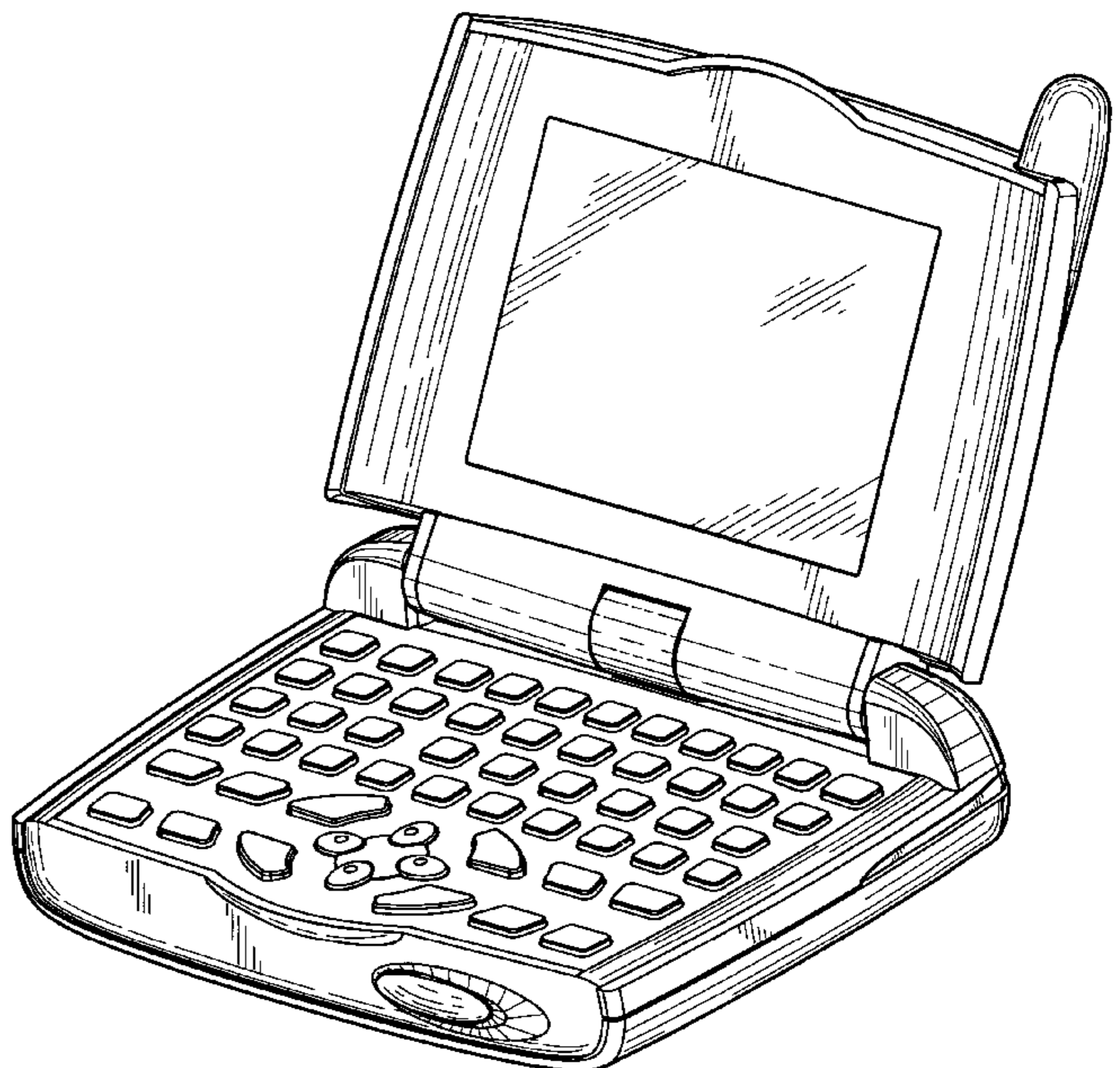
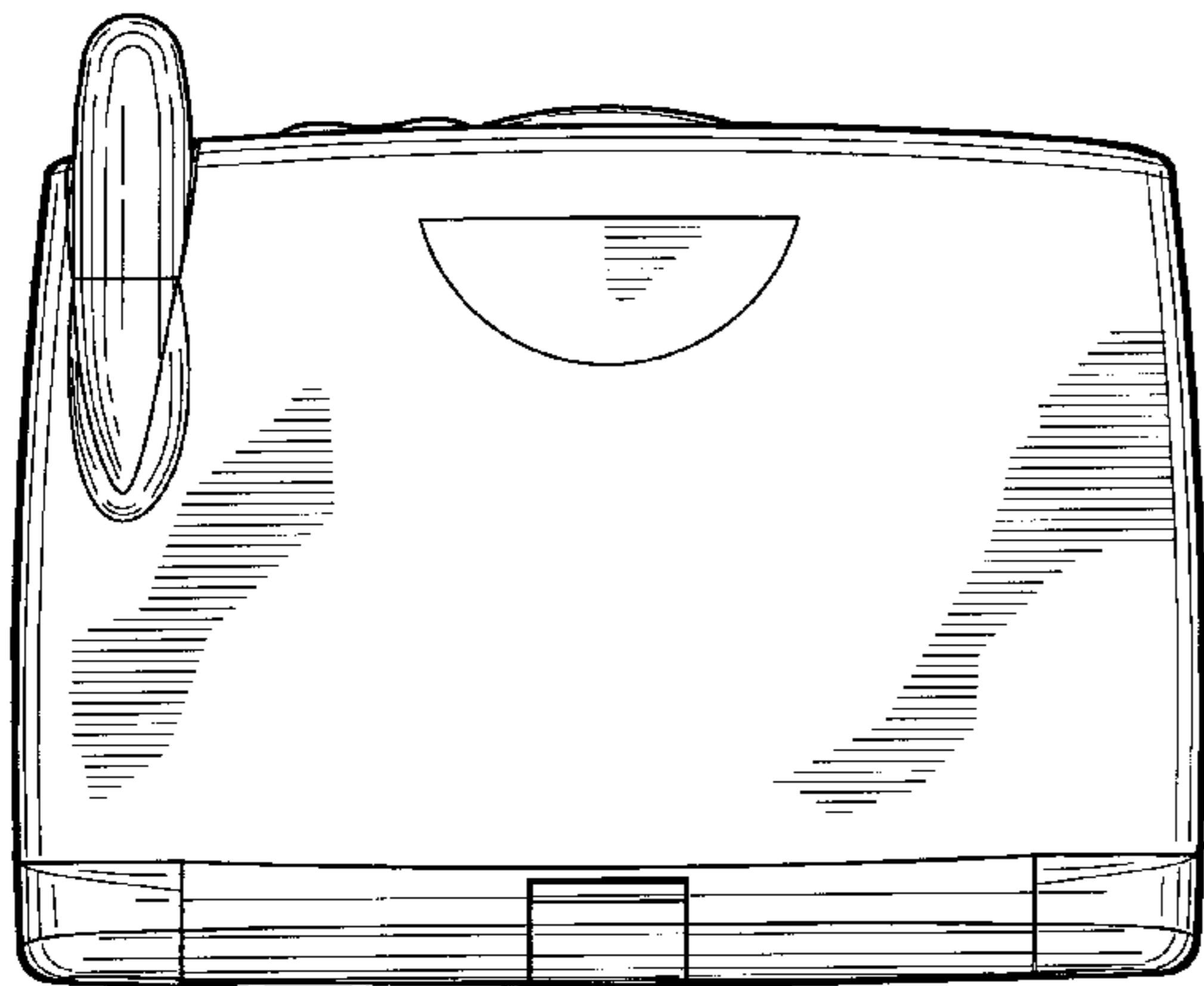
(57) **CLAIM**

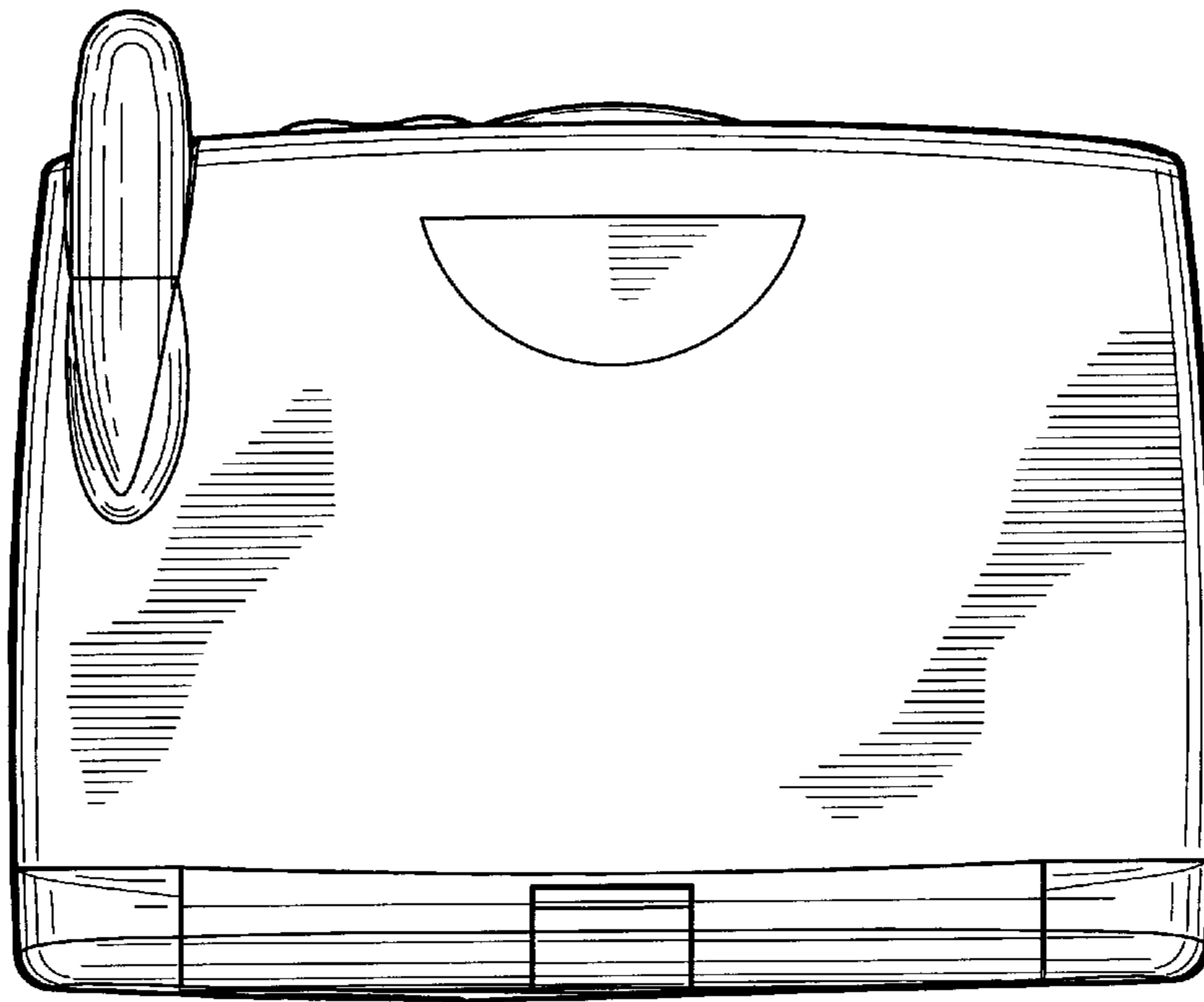
The ornamental design for a “messaging device”, as shown and described.

**DESCRIPTION**

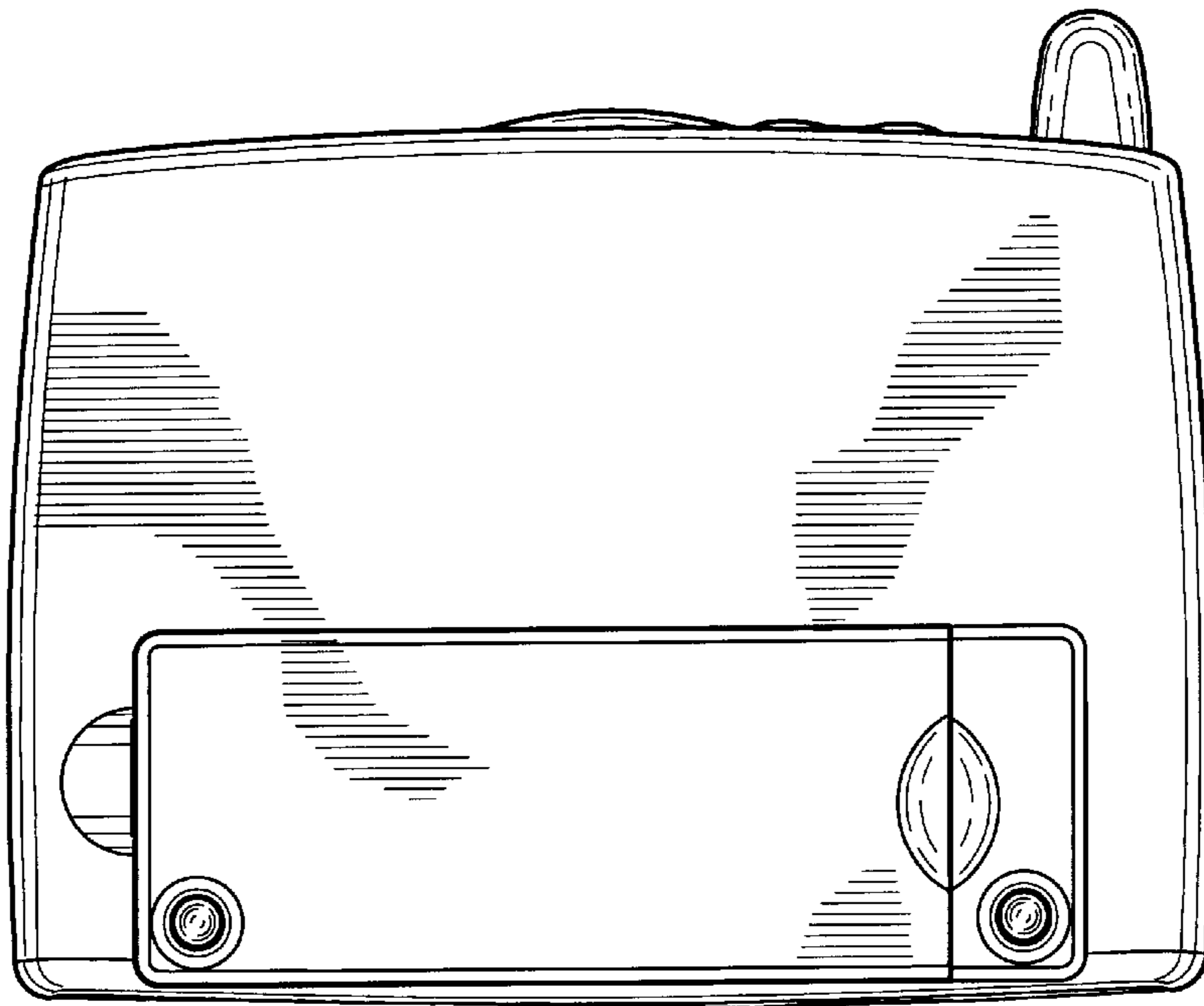
FIG. 1 is a top elevational view of a “messaging device” showing our new design;  
 FIG. 2 is a bottom elevational view thereof;  
 FIG. 3 is a back elevational view thereof;  
 FIG. 4 is a front elevational view thereof;  
 FIG. 5 is a right side elevational view thereof;  
 FIG. 6 is a left side elevational view thereof; and  
 FIG. 7 is a top, right and front perspective view thereof; and  
 FIG. 8 is a top, right and front perspective view thereof with top cover open.

**1 Claim, 4 Drawing Sheets**

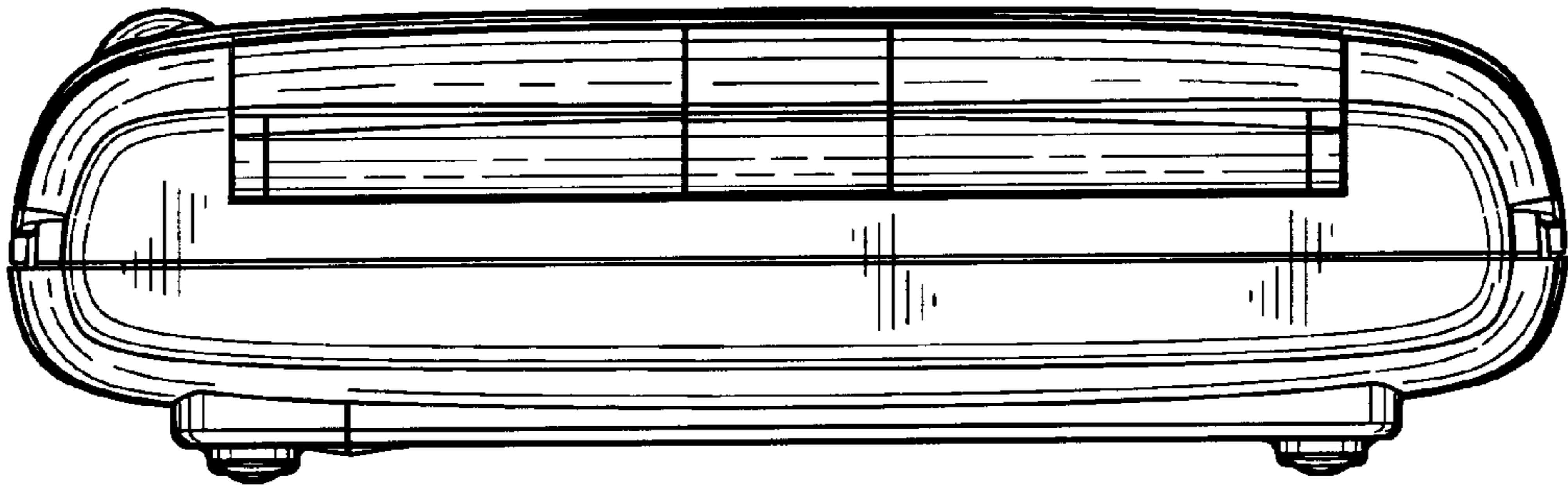




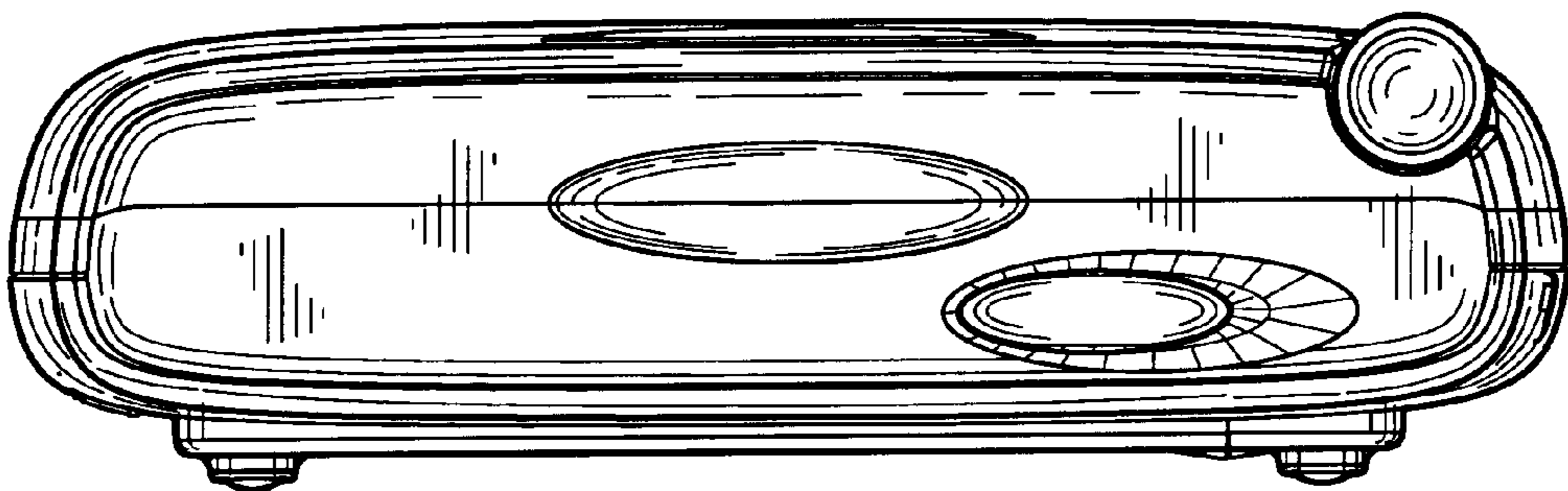
*FIG. 1*



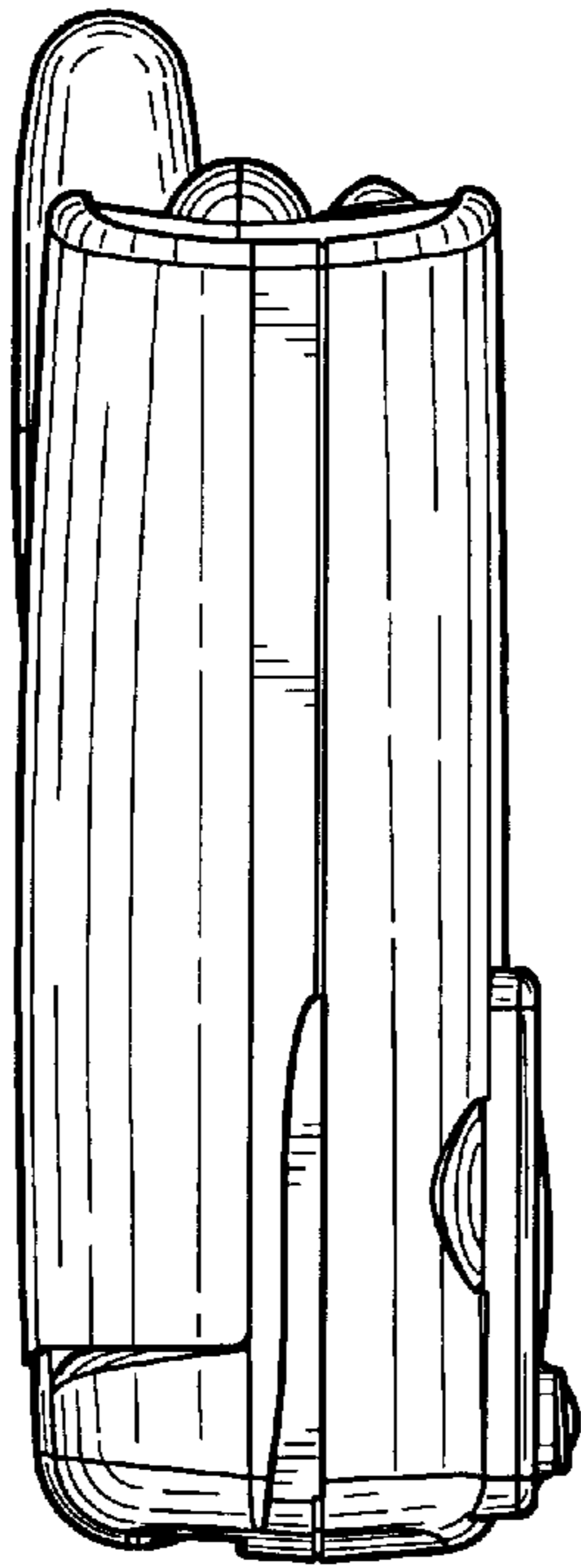
*FIG. 2*



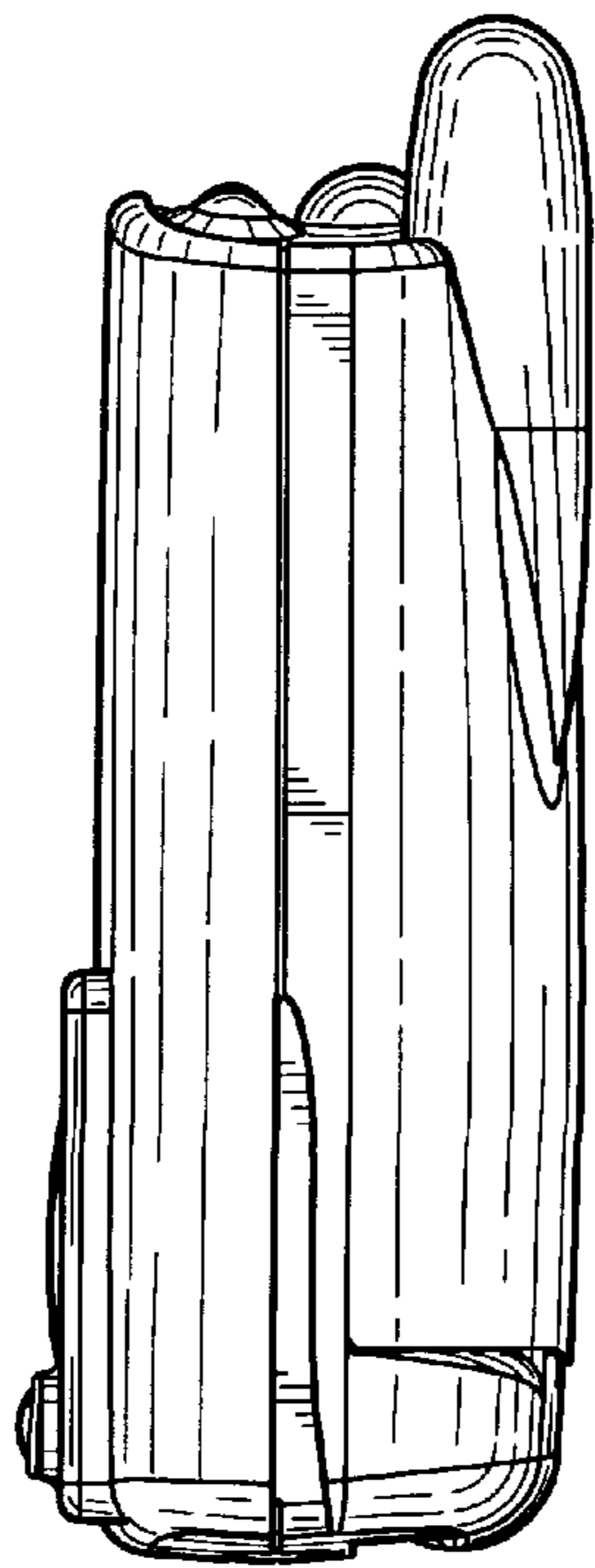
*FIG. 3*



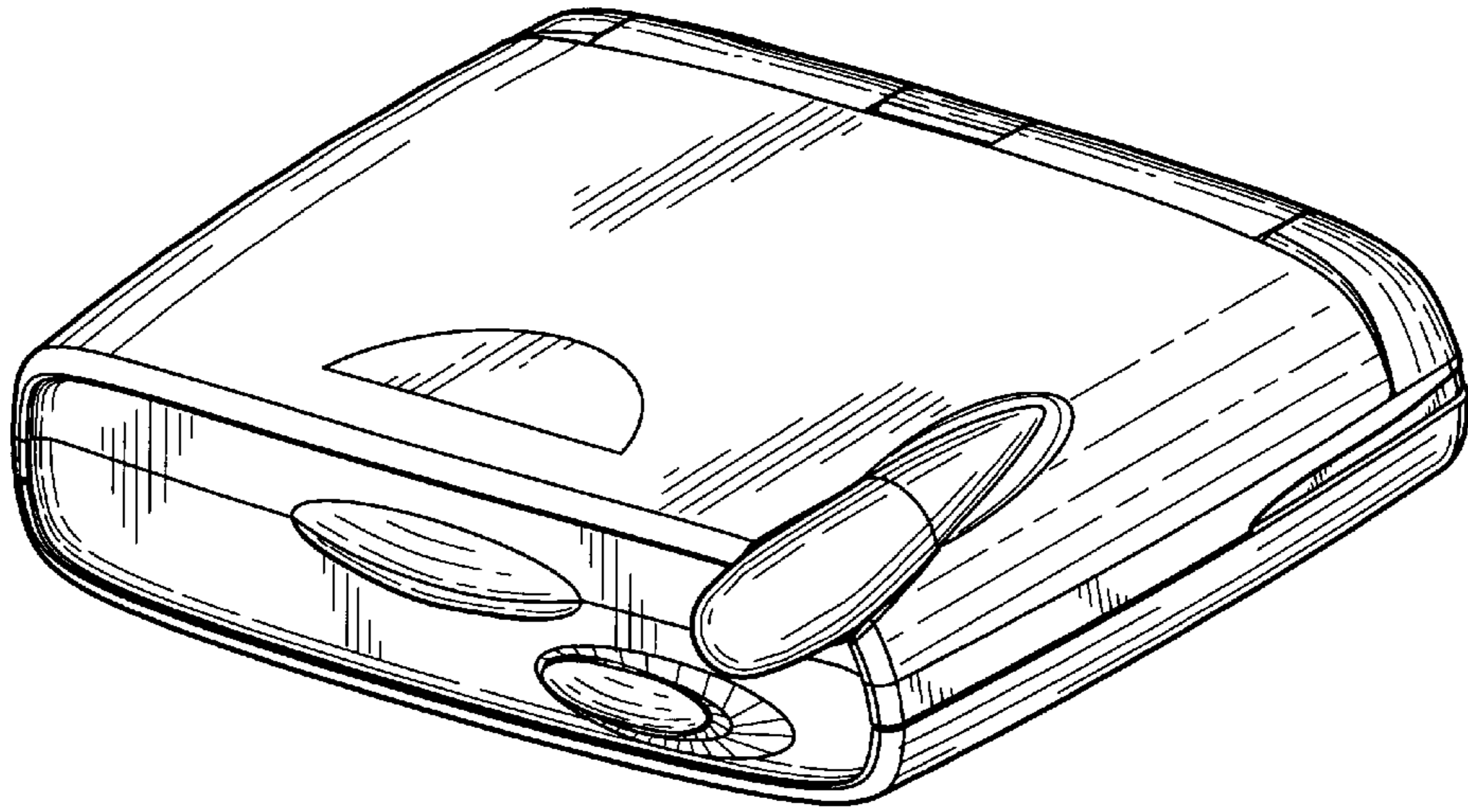
*FIG. 4*



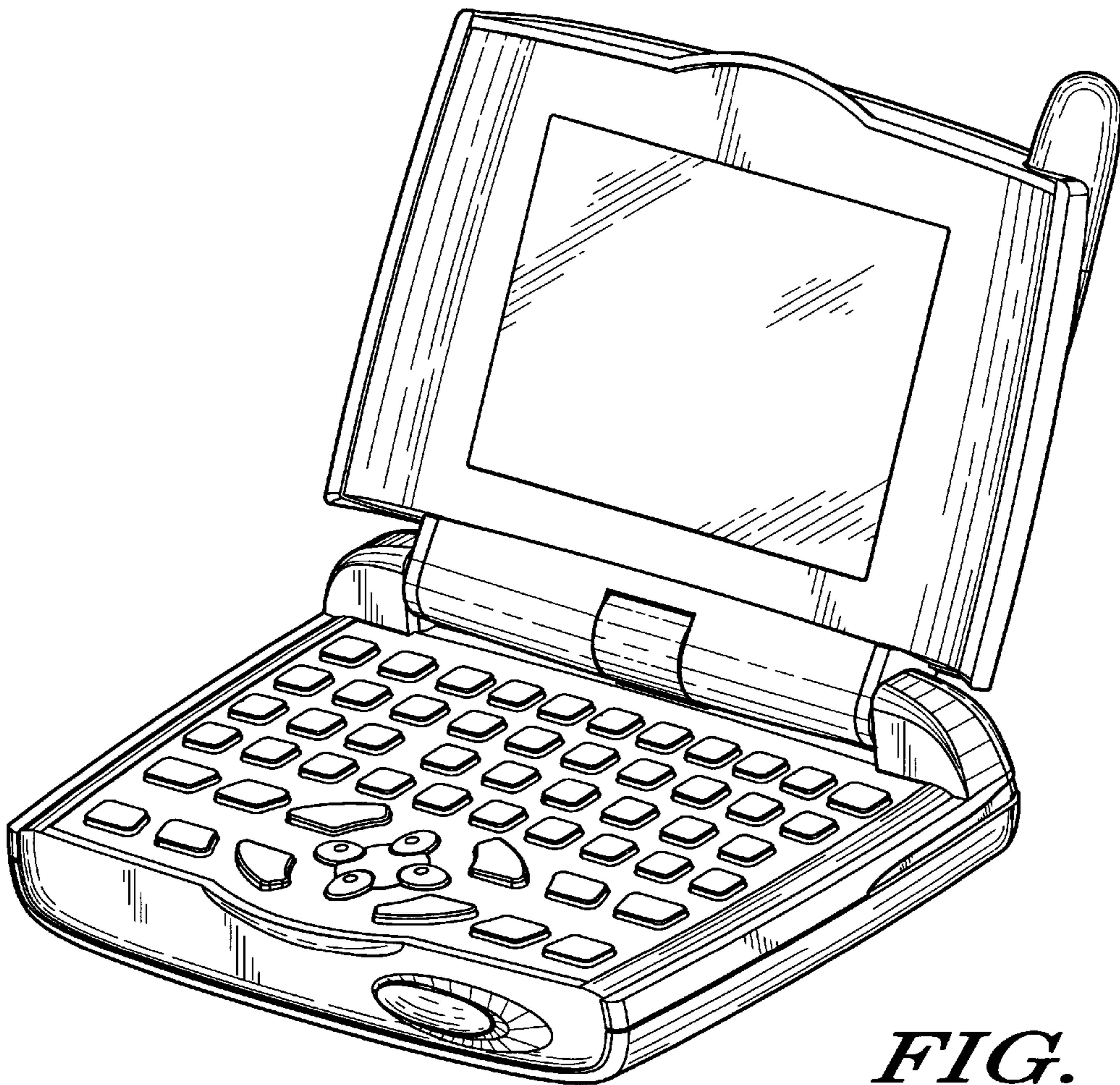
*FIG. 5*



*FIG. 6*



*FIG. 7*



*FIG. 8*