



US00D440958S

(12) **United States Design Patent**
Chan

(10) **Patent No.:** **US D440,958 S**

(45) **Date of Patent:** **** Apr. 24, 2001**

(54) **CLOCK RADIO**

(75) Inventor: **Yin Chau Chan, N.T. (HK)**

(73) Assignee: **Gonica Electronic Co., Ltd., Fo Tan (HK)**

(**) Term: **14 Years**

(21) Appl. No.: **29/124,090**

(22) Filed: **May 31, 2000**

(51) **LOC (7) Cl.** **14-01**

(52) **U.S. Cl.** **D14/171**

(58) **Field of Search** D10/2, 15; D14/168,
D14/170-171, 188-189, 193-198; 455/344,
347, 350, 351

(56) **References Cited**

U.S. PATENT DOCUMENTS

- D. 71,123 * 9/1926 Verschoor D14/198
- D. 98,521 * 2/1936 Hulbert D14/198
- D. 163,507 * 6/1951 Adler D14/195

- D. 391,961 * 3/1998 Hanig D14/197 X
- D. 406,843 * 3/1999 Zeitman D14/162

* cited by examiner

Primary Examiner—Nanda Bondade

(74) *Attorney, Agent, or Firm*—Rabin & Champagne, P.C.

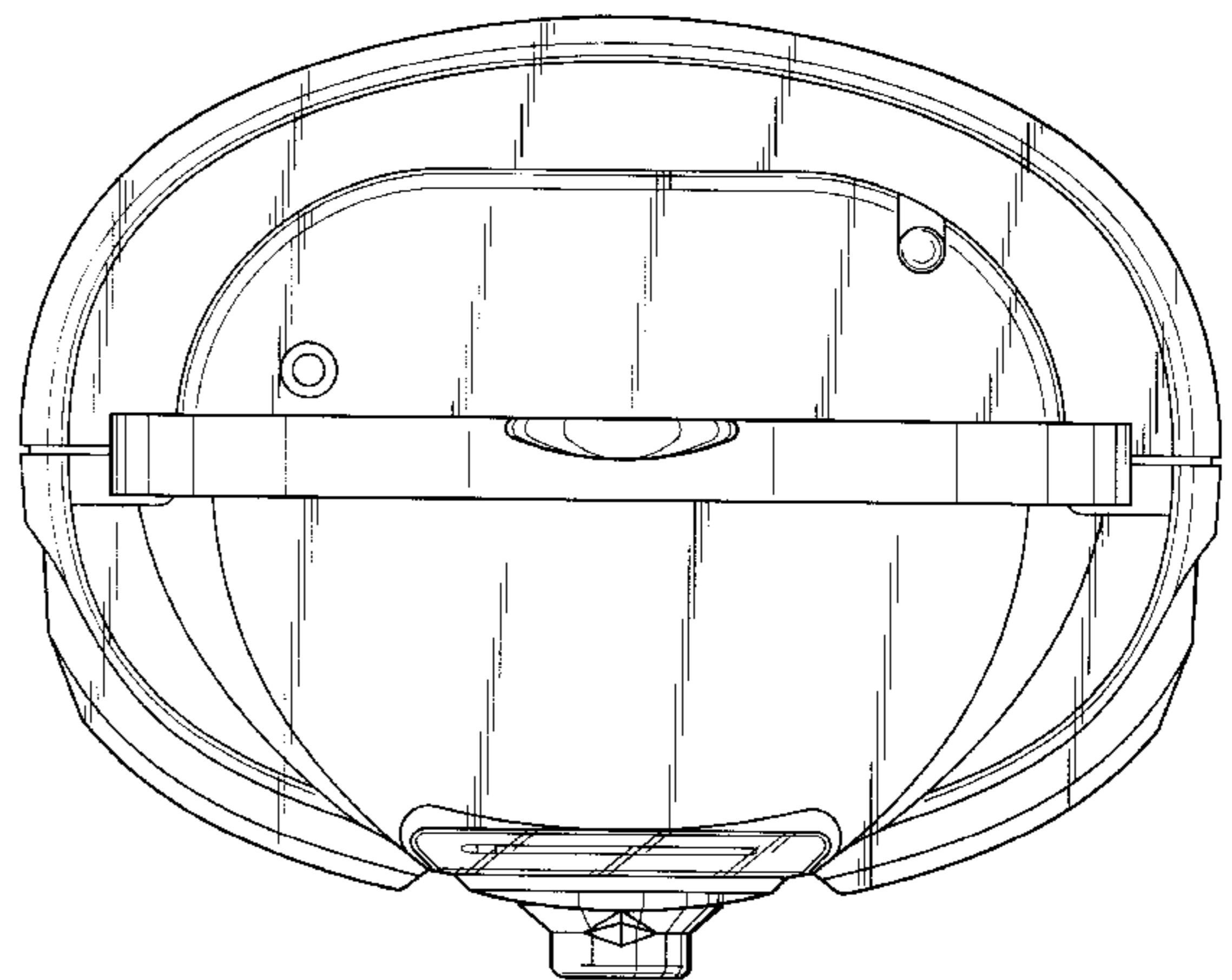
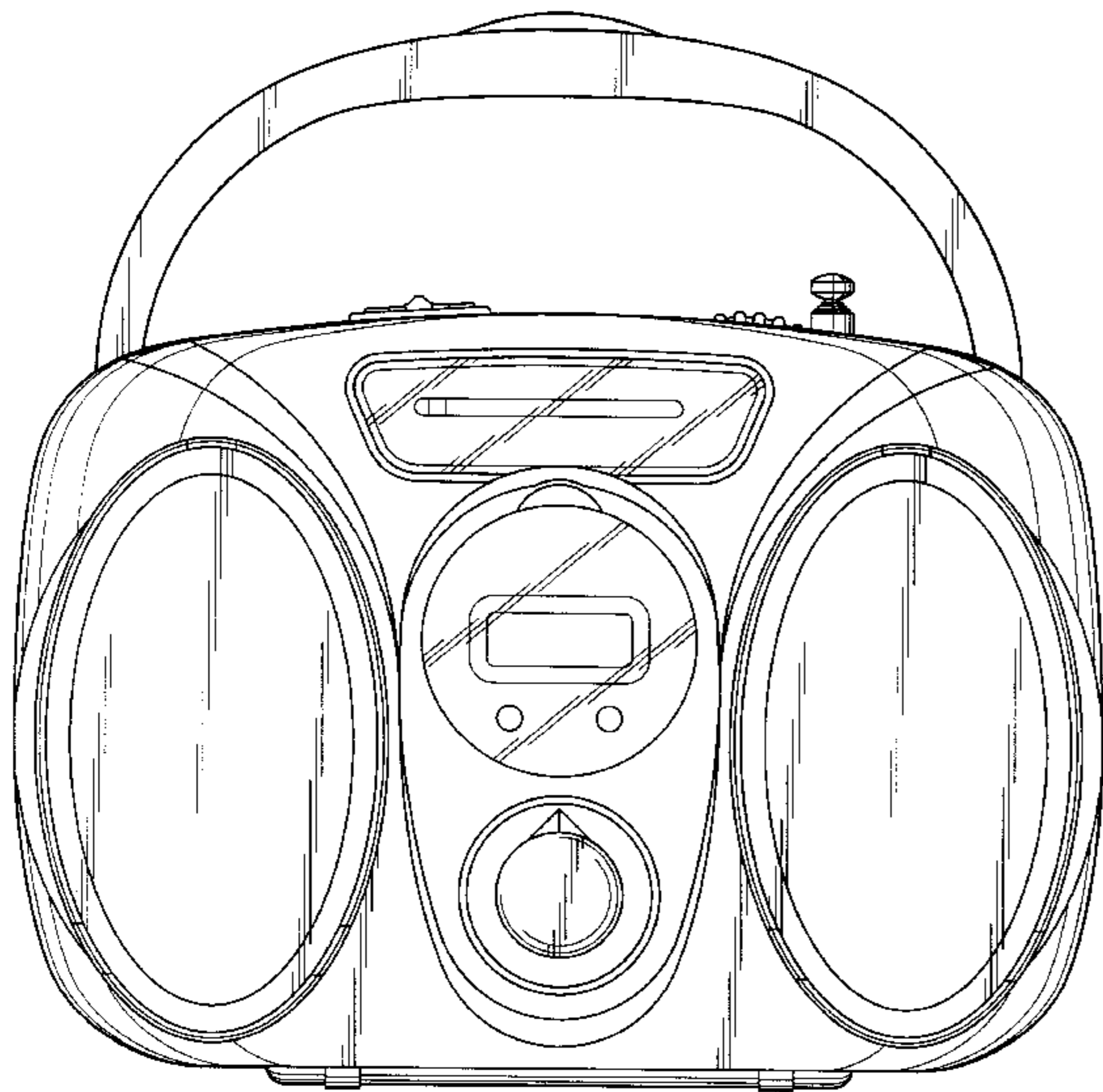
(57) **CLAIM**

The ornamental design for a clock radio, as shown and described.

DESCRIPTION

FIG. 1 is a front view of a clock radio showing my new design;
 FIG. 2 is a rear view thereof;
 FIG. 3 is a left side view thereof;
 FIG. 4 is a right side view thereof;
 FIG. 5 is a top view thereof;
 FIG. 6 is a bottom view thereof; and,
 FIG. 7 is a top view with handle in alternative position thereof.

1 Claim, 7 Drawing Sheets



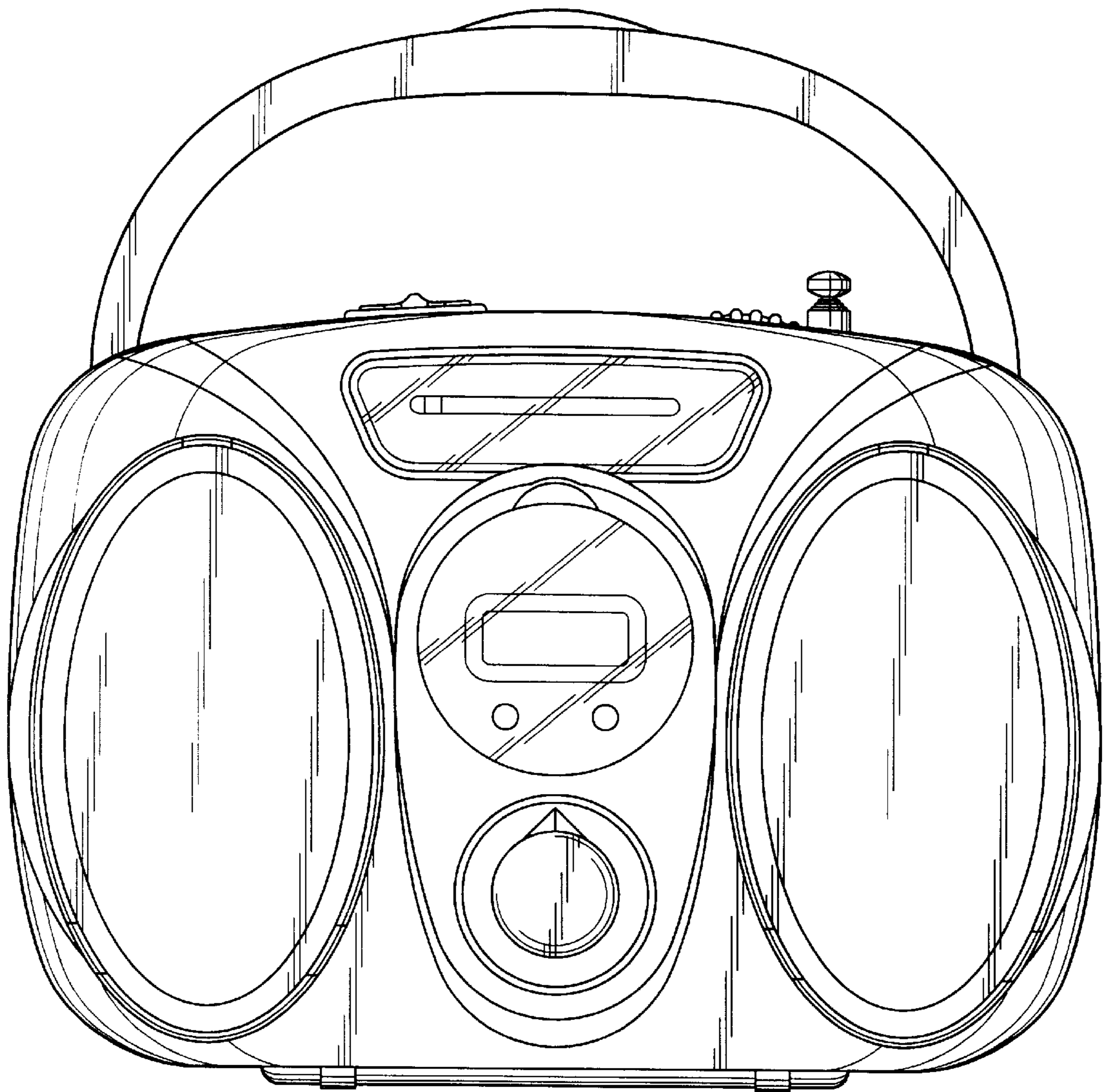


FIG. 1

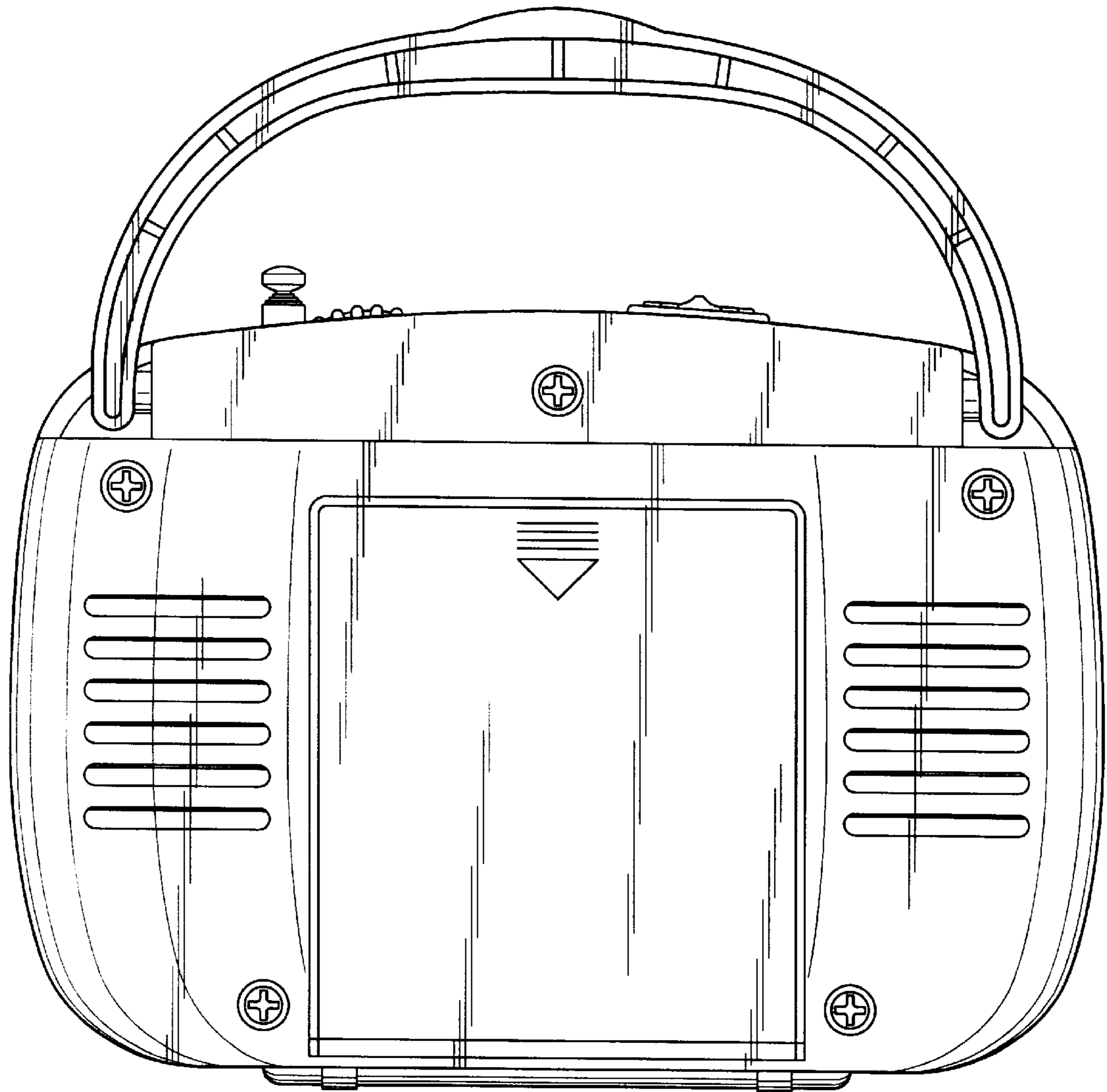


FIG. 2

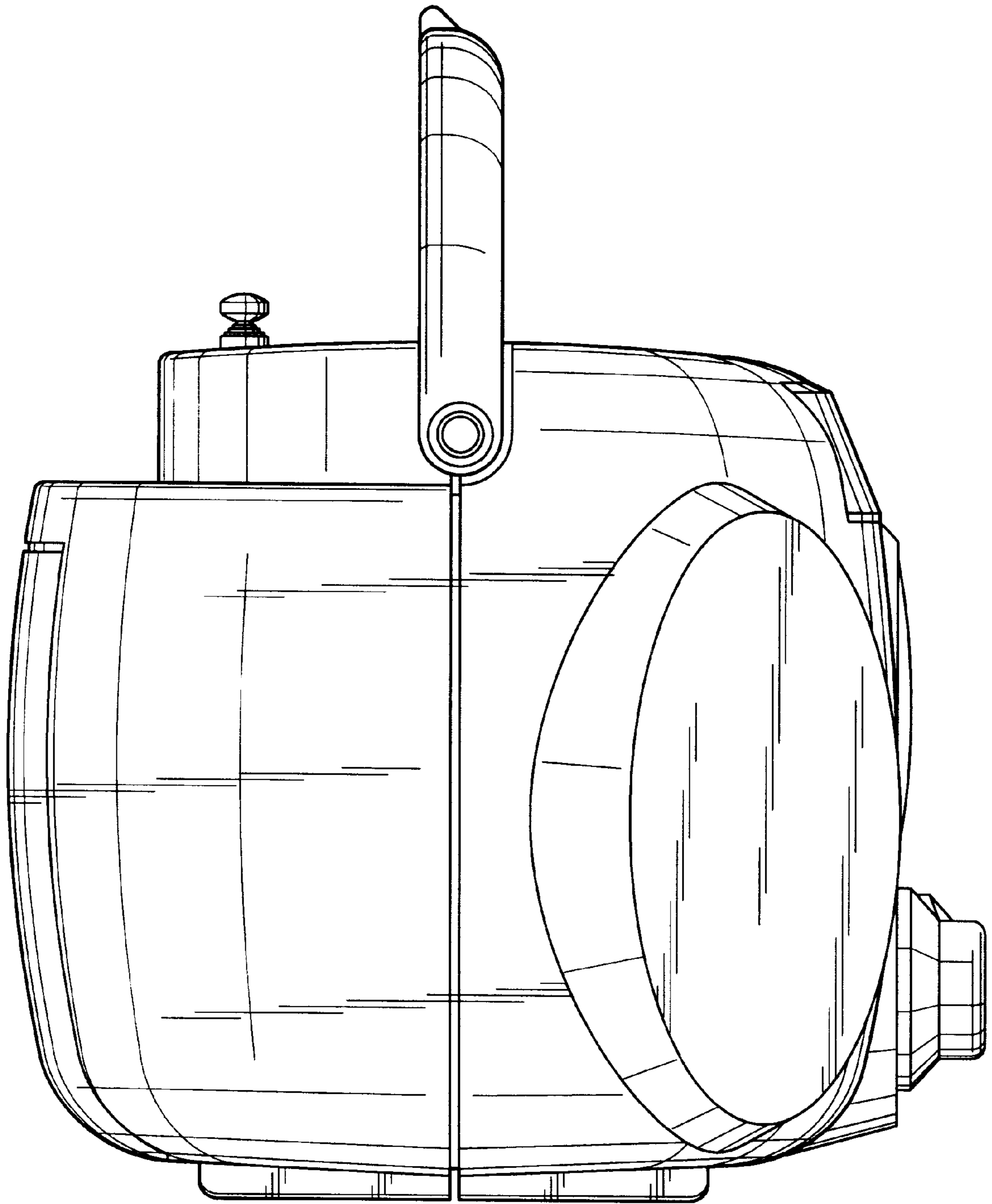


FIG. 3

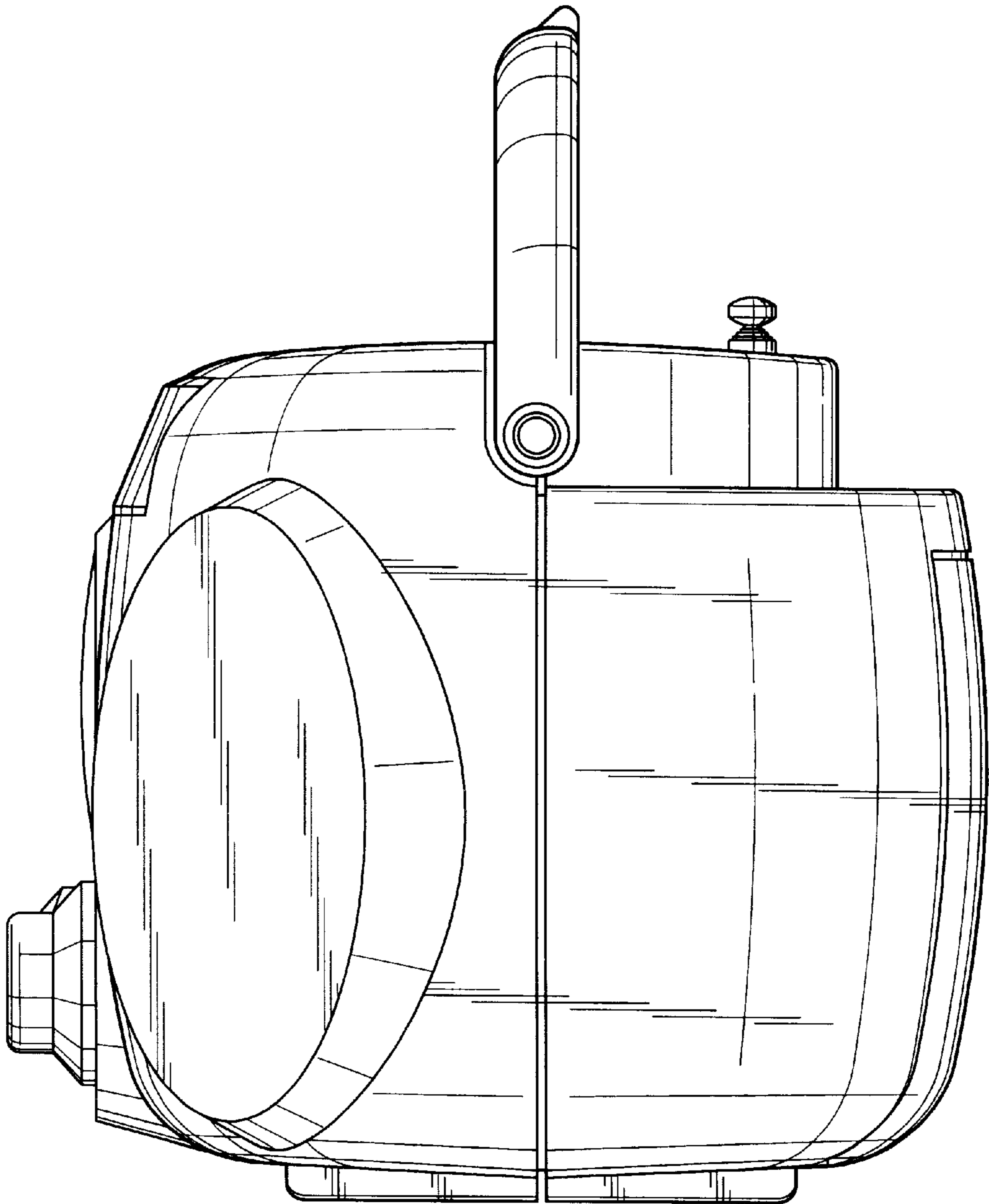


FIG. 4

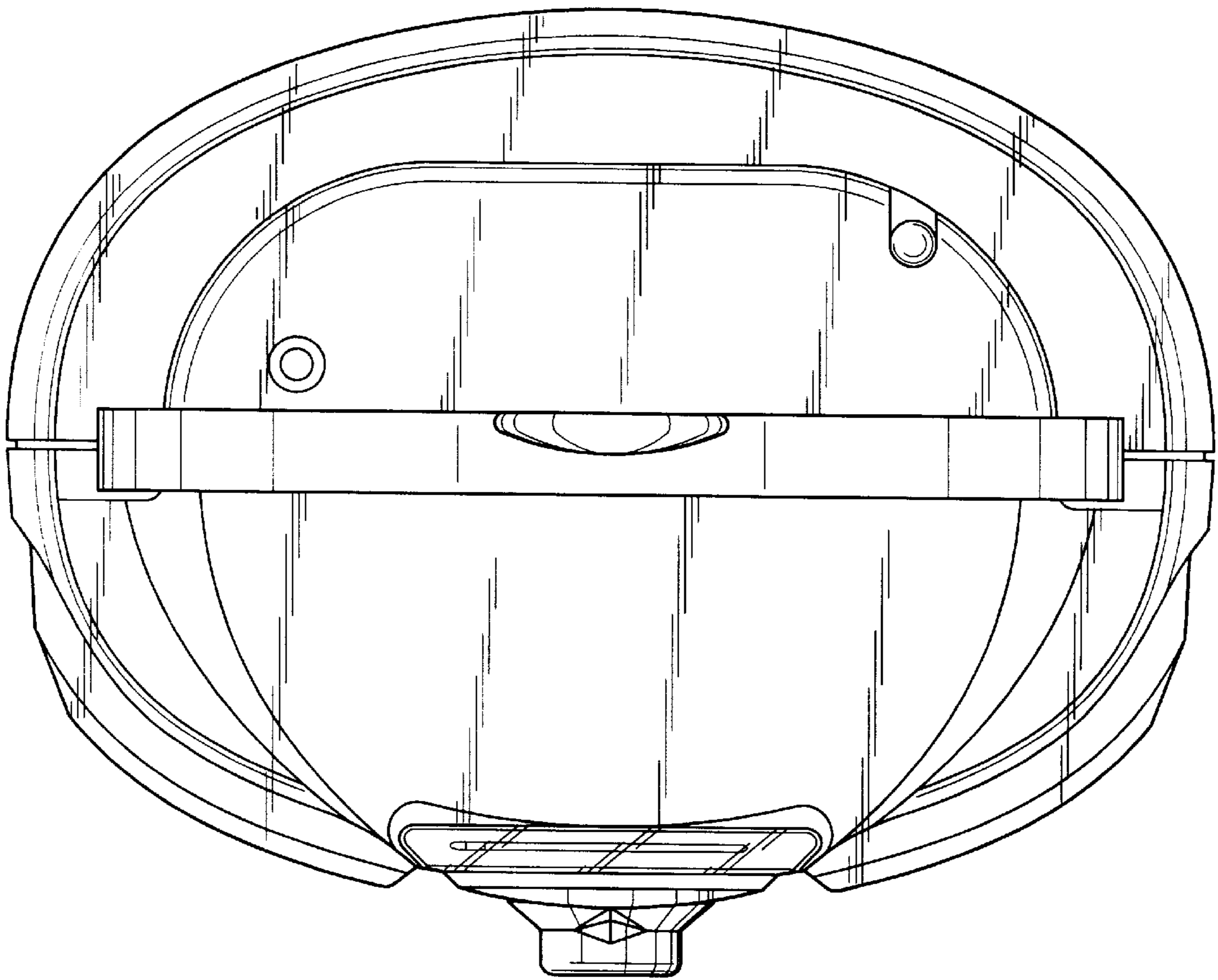


FIG. 5

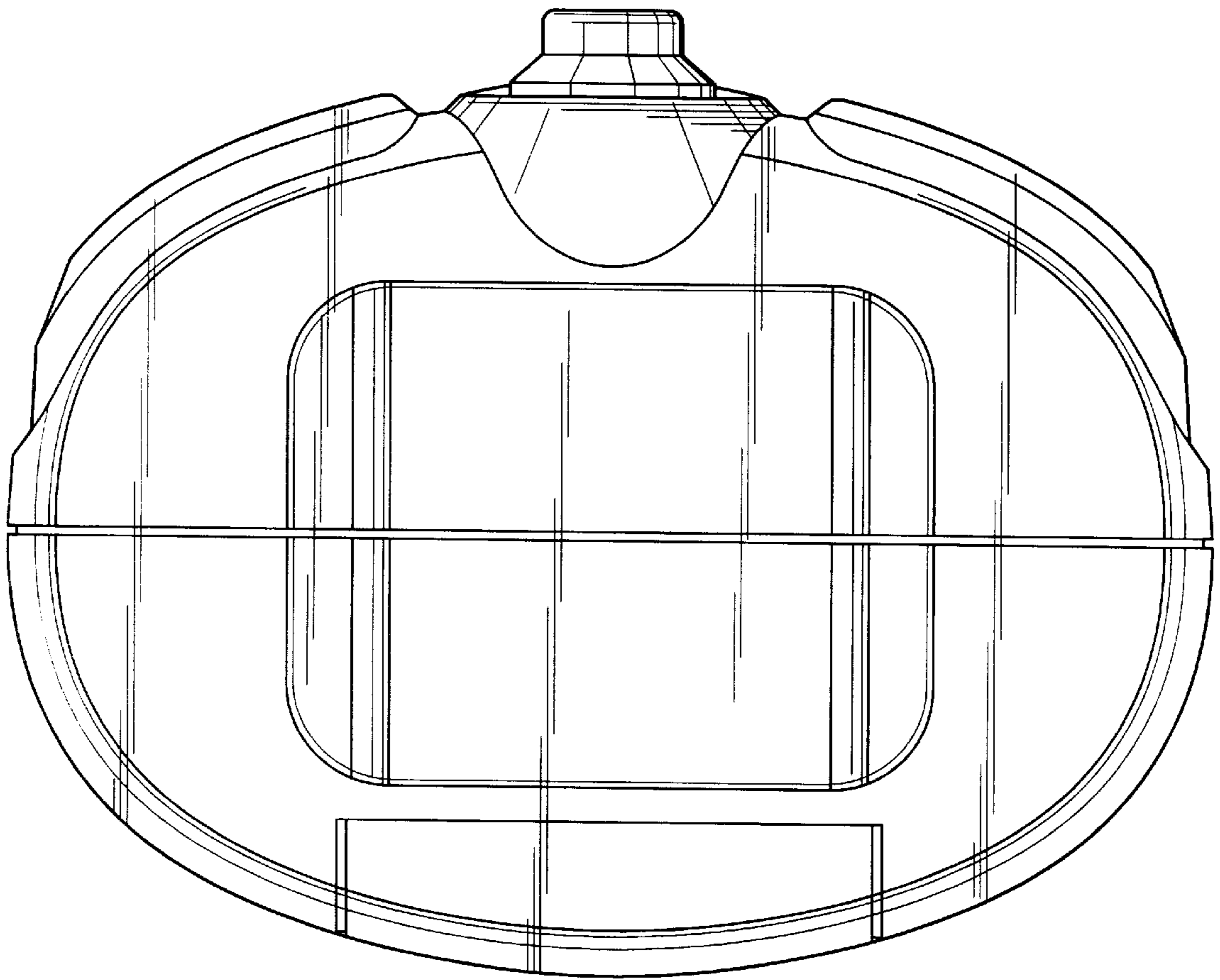


FIG. 6

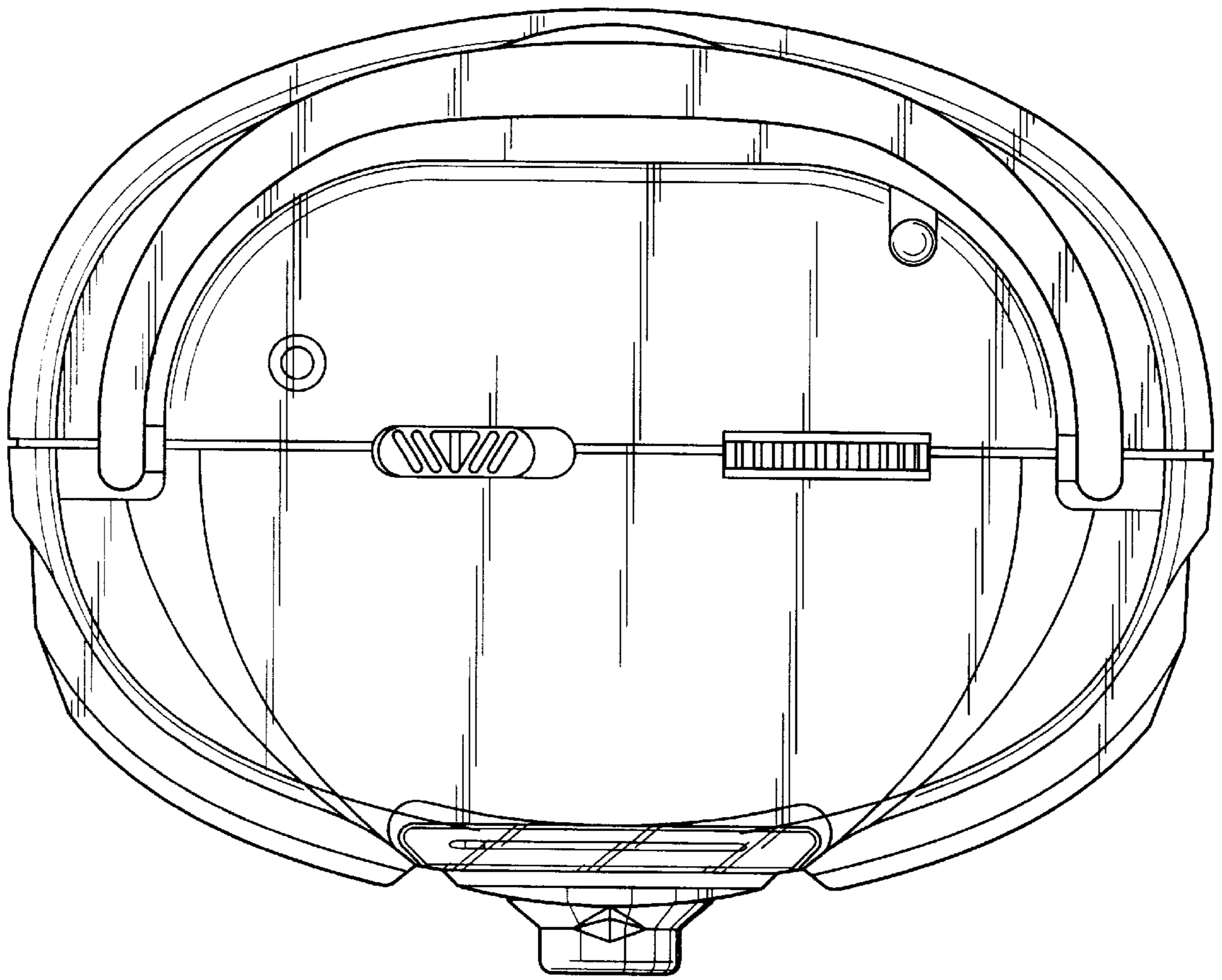


FIG. 7