



US00D440948S

(12) **United States Design Patent**
Bianco, Sr.

(10) **Patent No.:** **US D440,948 S**

(45) **Date of Patent:** **** Apr. 24, 2001**

(54) **LOCKOUT CAP FOR A PANEL-MOUNTED SWITCH HAVING A THREADED COLLAR**

4,943,695 * 7/1990 Valis 200/345

* cited by examiner

(76) **Inventor:** **Thomas A. Bianco, Sr.**, P.O. Box 784,
Wallingford, CT (US) 06492

Primary Examiner—Brian N. Vinson

(74) *Attorney, Agent, or Firm*—Norman Rainer

(**) **Term:** **14 Years**

(57) **CLAIM**

(21) **Appl. No.:** **29/132,322**

The ornamental design for a lockout cap for a panel-mounted switch having a threaded collar, as shown and described.

(22) **Filed:** **Nov. 8, 2000**

DESCRIPTION

(51) **LOC (7) Cl.** **13-03**

(52) **U.S. Cl.** **D13/173**

(58) **Field of Search** D13/173; 200/304,
200/333, 334, 345

FIG. 1 is an exploded perspective view of a lockout cap for a panel-mounted switch having a threaded collar showing my new design;

FIG. 2 is an exploded side view thereof, shown in operative association with a panel-mounted switch having a threaded collar and depicted in phantom outline as being not a part of this invention;

FIG. 3 is an assembled side view thereof;

FIG. 4 is a vertical sectional view thereof;

FIG. 5 is a front view thereof; and,

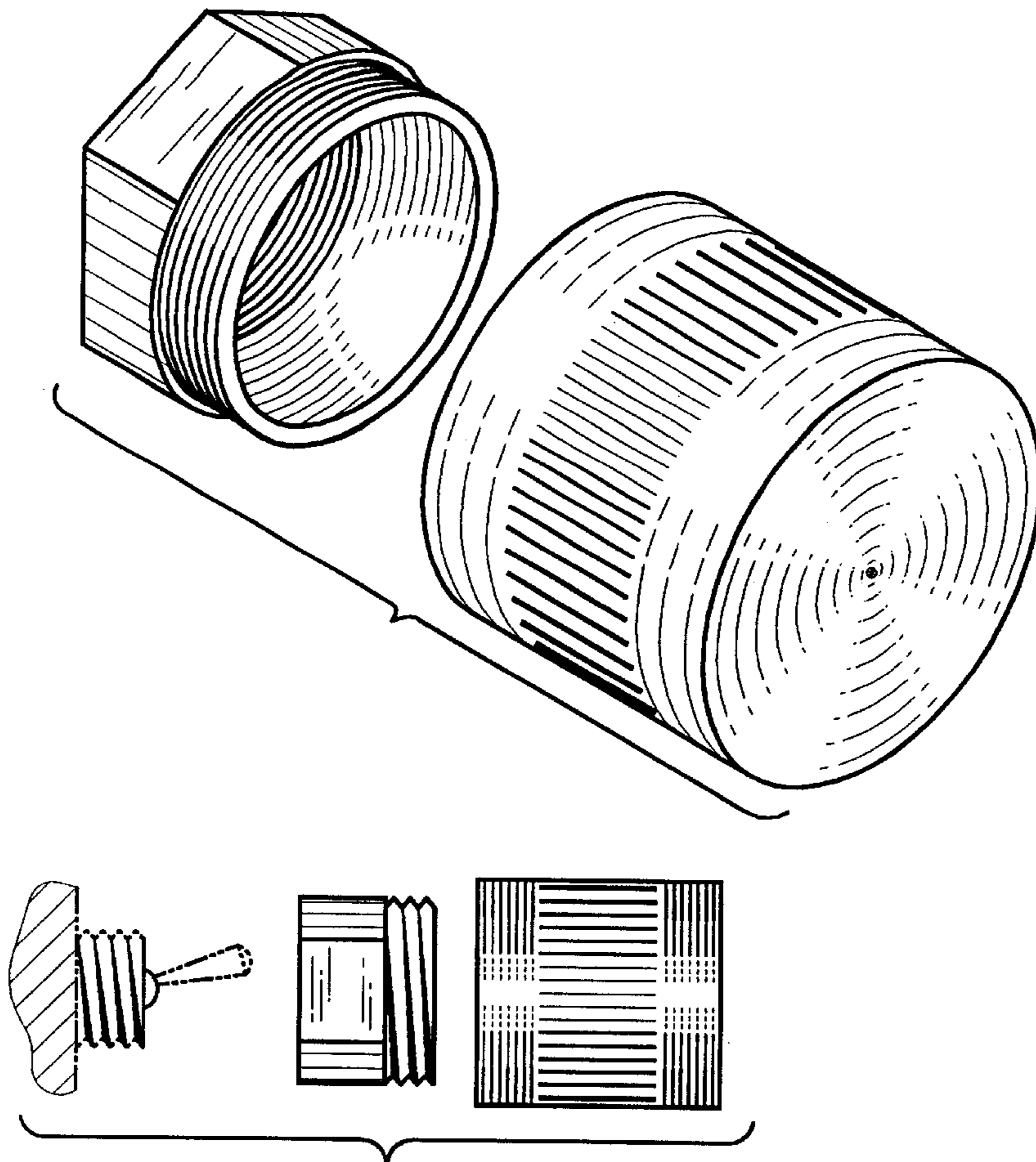
FIG. 6 is a rear view thereof.

(56) **References Cited**

U.S. PATENT DOCUMENTS

D. 260,232	*	8/1981	Simons	D8/350
D. 314,556	*	2/1991	Aggson	D13/173
D. 353,580	*	12/1994	Woehler	D13/173
D. 428,601		7/2000	Bianco, Sr.		
3,746,818	*	7/1973	Bertelloti	200/304

1 Claim, 1 Drawing Sheet



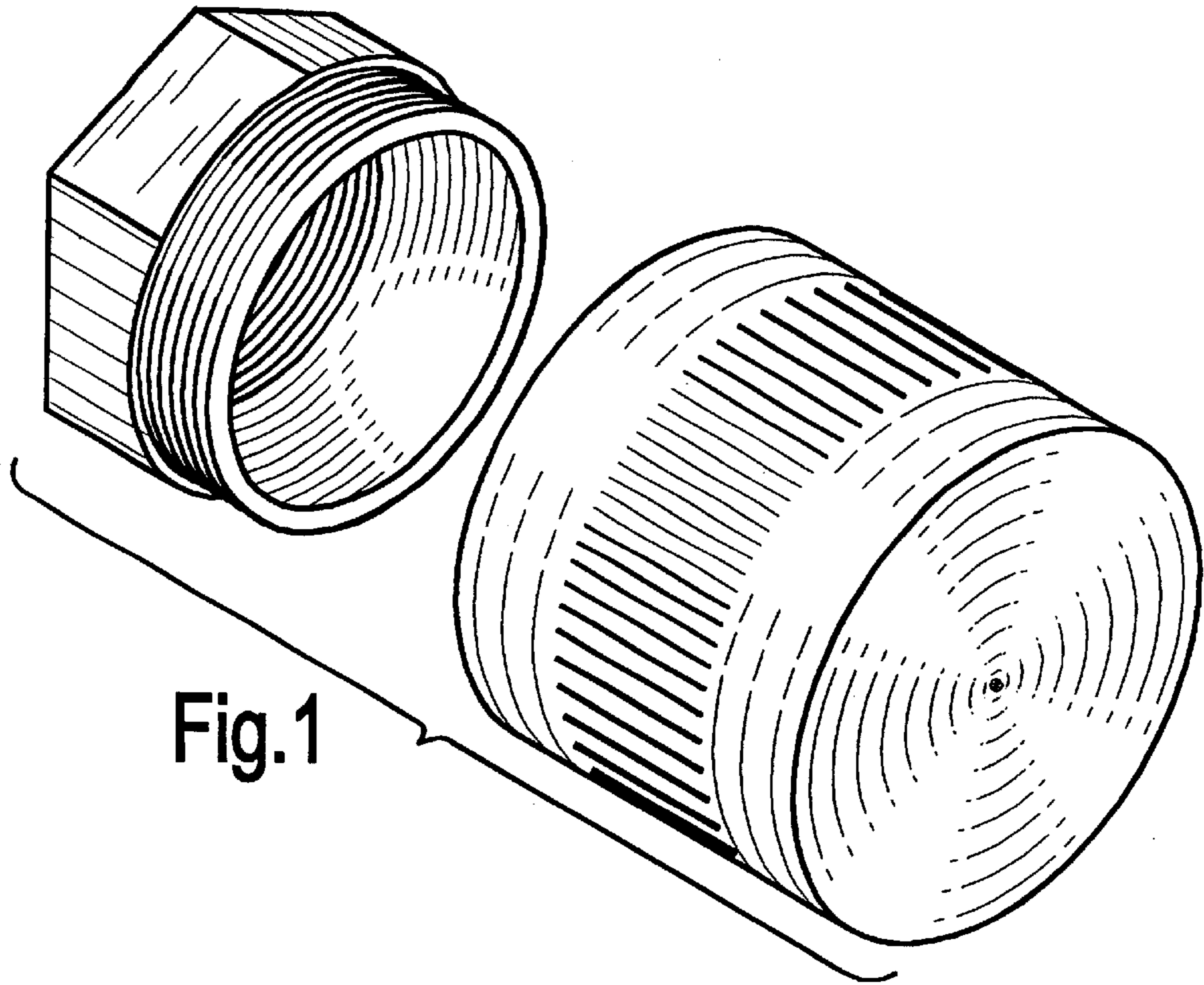


Fig.1

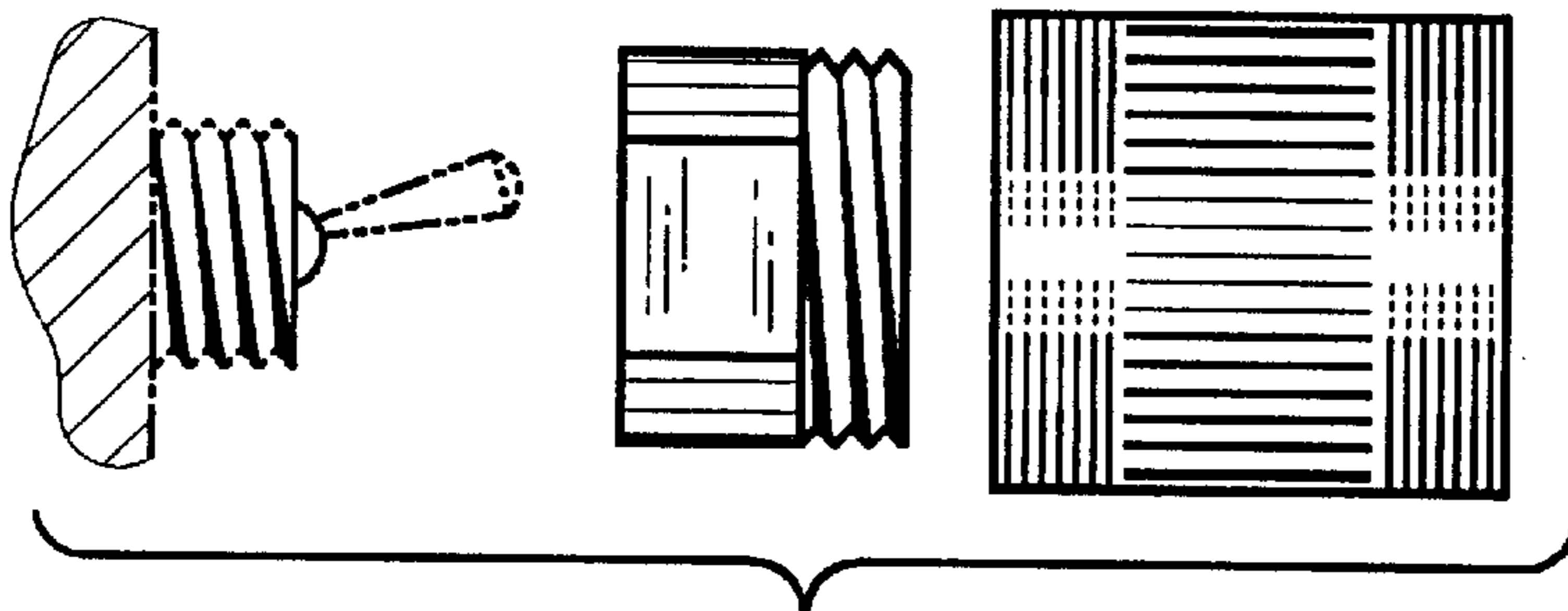


Fig.2

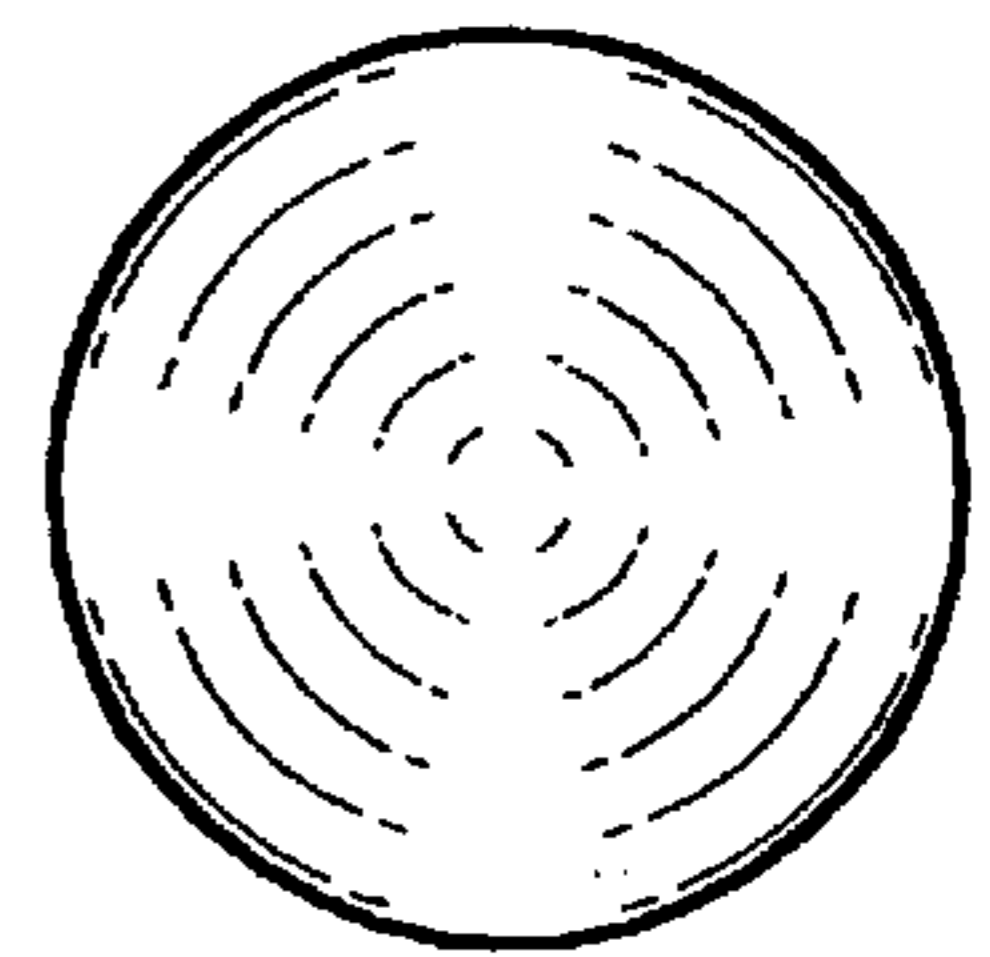


Fig.5

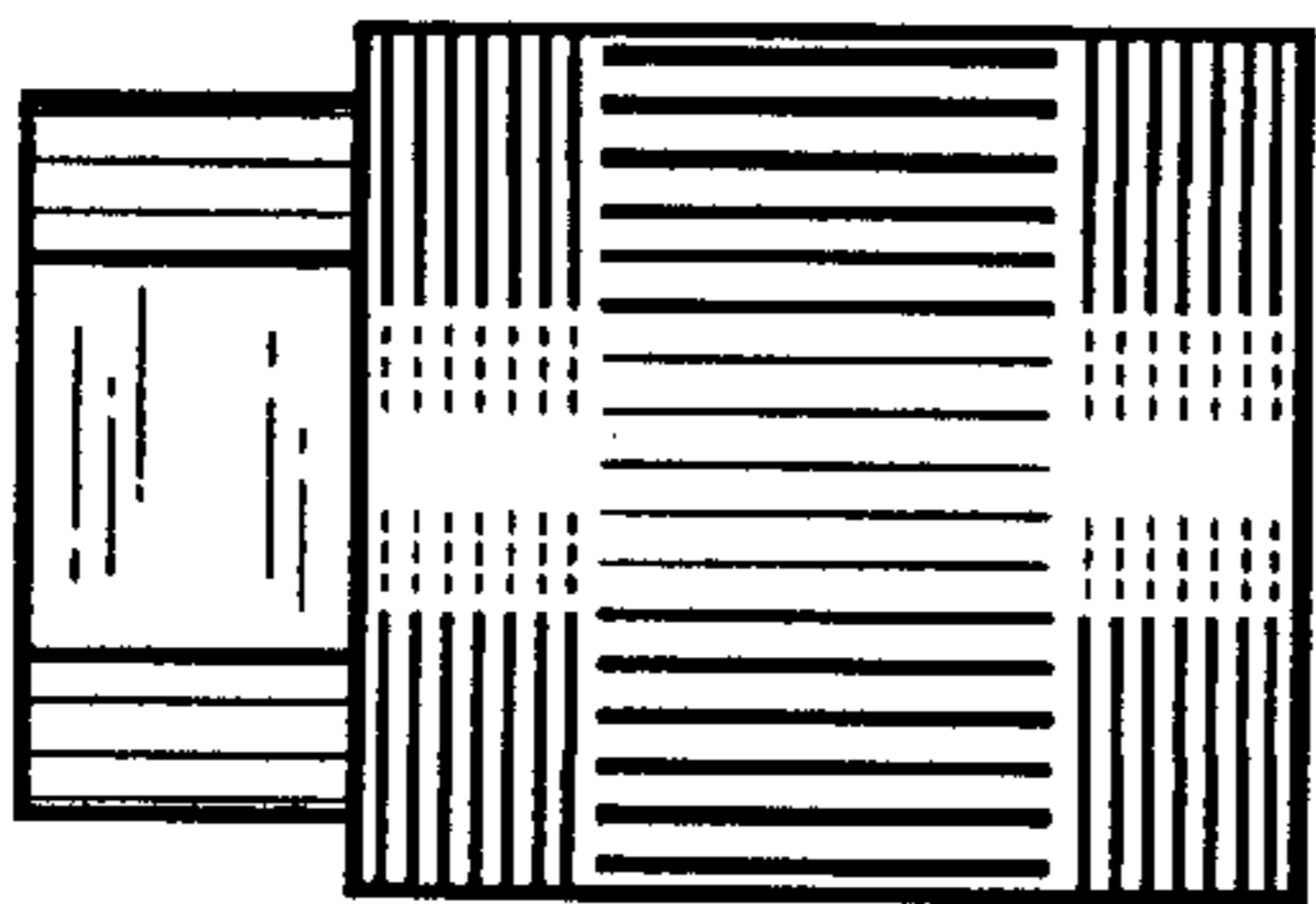


Fig.3

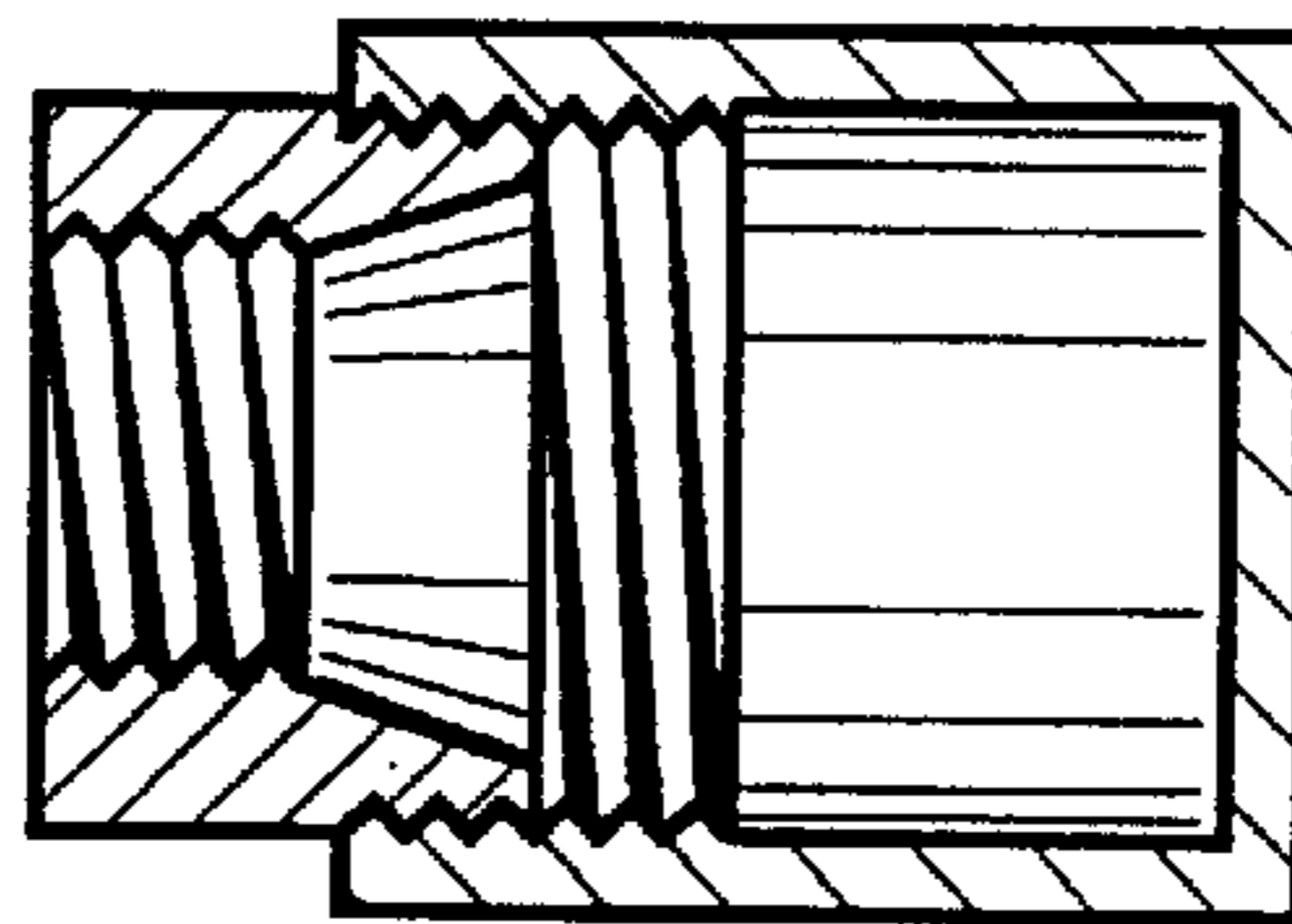


Fig.4

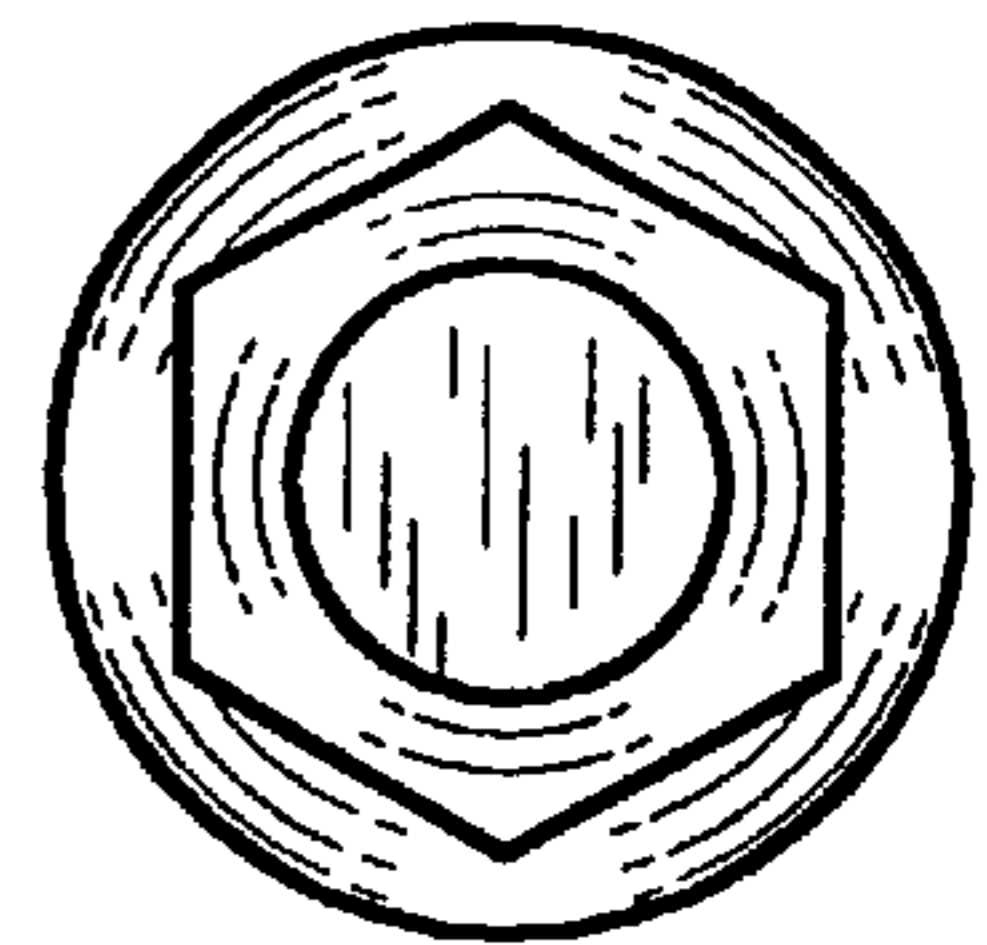


Fig.6