



US00D440939S

(12) **United States Design Patent**
Montena

(10) **Patent No.:** **US D440,939 S**

(45) **Date of Patent:** **** Apr. 24, 2001**

(54) **OPEN COMPRESSION-TYPE COAXIAL CABLE CONNECTOR**

(76) **Inventor:** **Noah P. Montena**, 1505 E. Genesee St., Apt. 30, Syracuse, NY (US) 13210

(**) **Term:** **14 Years**

(21) **Appl. No.:** **29/122,508**

(22) **Filed:** **Apr. 28, 2000**

Related U.S. Application Data

(63) Continuation of application No. 08/910,509, filed on Aug. 2, 1997, now Pat. No. 6,153,830.

(51) **LOC (7) Cl.** **13-03**

(52) **U.S. Cl.** **D13/133**

(58) **Field of Search** D13/133, 151, D13/149; 439/578, 583, 584, 585

(56) **References Cited**

U.S. PATENT DOCUMENTS

2,258,737	10/1941	Browne	173/332
3,184,706	5/1965	Atkins	339/177
3,275,913	9/1966	Blanchard .	
3,355,698	11/1967	Keller	339/97
3,406,373	10/1968	Forney, Jr. .	
3,498,647	3/1970	Schroder	275/343
3,629,792	12/1971	Dorrell	339/60
3,671,922	6/1972	Zerlin et al.	339/74
3,710,005	1/1973	French	174/89
3,845,453	10/1974	Hemmer	339/59
3,915,539	10/1975	Collins	339/94
3,936,132	2/1976	Hutter	339/130
3,985,418	10/1976	Spinner .	
4,046,451	9/1977	Juds et al.	339/177
4,053,200	10/1977	Pugner	339/177
4,059,330	11/1977	Shirey .	
4,126,372	11/1978	Hashimoto et al.	339/177
4,168,921	9/1979	Blanchard .	
4,227,765	10/1980	Neumann et al.	339/143
4,280,749	7/1981	Hemmer	339/177

4,339,166	7/1982	Dayton	339/100
4,346,958	8/1982	Blanchard .	
4,373,767	2/1983	Cairns	339/94
4,400,050	8/1983	Hayward	339/177
4,408,822	10/1983	Nikitas	339/177
4,444,453	4/1984	Kirby et al.	339/177
4,484,792	11/1984	Tengler et al.	339/143
4,533,191	8/1985	Blackwood	339/31

(List continued on next page.)

FOREIGN PATENT DOCUMENTS

1 191 880	4/1954	(DE) .
32 11 008	10/1983	(DE) .
1087 228	10/1967	(GB) .
1270846	4/1972	(GB) .
2079 549A	1/1982	(GB) .

OTHER PUBLICATIONS

Raychem Promotional Materials: "The EZF connector is the easy way to fight RFleakage, moisture damage and corrosion," production Nos. LRC 1447-1460.

Primary Examiner—Joel Sincavage

(74) *Attorney, Agent, or Firm*—Pennie & Edmonds LLP

(57) **CLAIM**

The ornamental design for an open compression-type coaxial cable connector, as shown and described.

DESCRIPTION

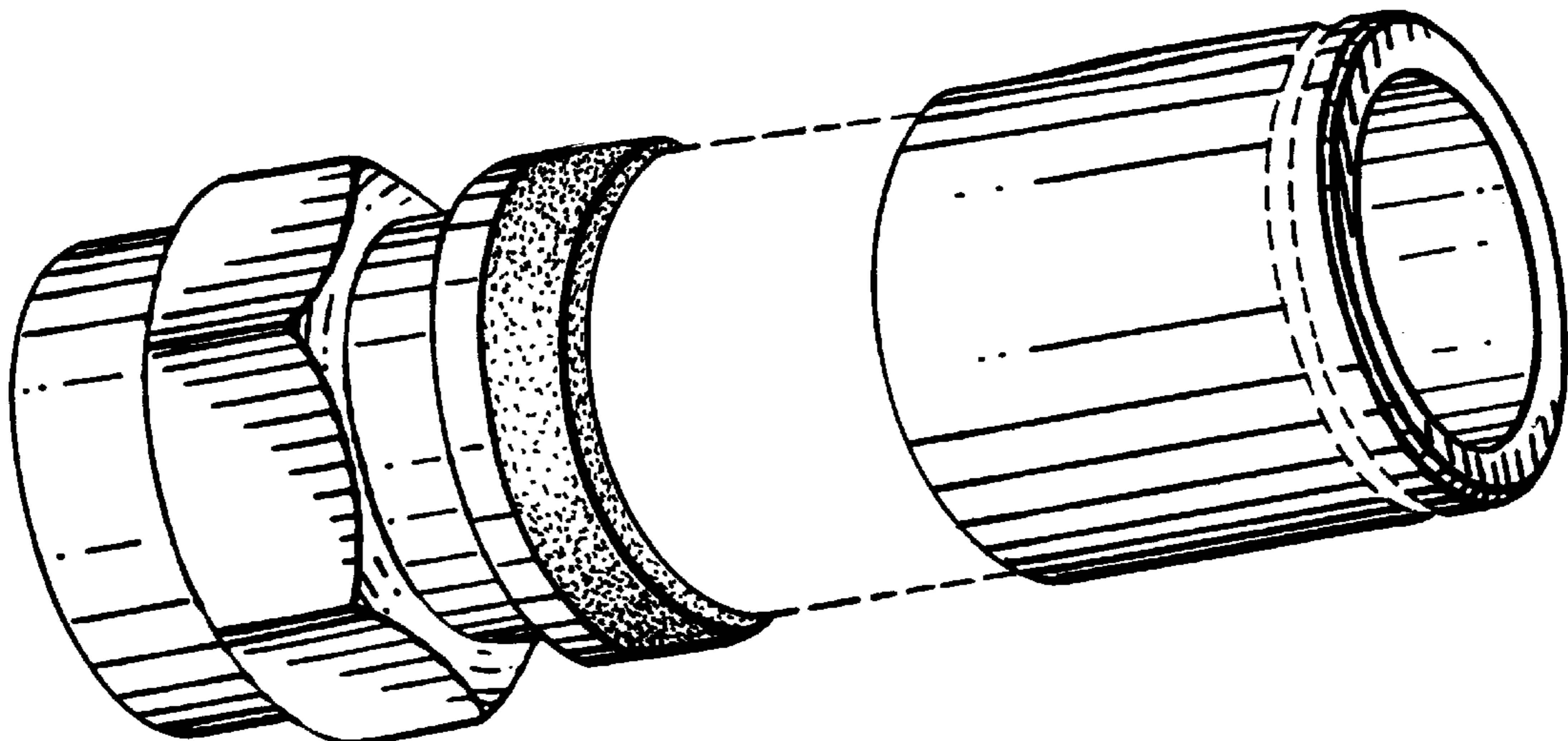
FIG. 1 is a perspective view of an open compression-type coaxial cable connector according to the present invention; FIG. 2 is a side view thereof, all other side views being a mirror image thereof;

FIG. 3 is a bottom view thereof; and,

FIG. 4 is a top view thereof.

The broken lines do not illustrate parts of the claimed design.

1 Claim, 1 Drawing Sheet



US D440,939 S

Page 2

U.S. PATENT DOCUMENTS

4,545,637	10/1985	Bosshard et al.	339/177	5,073,129	12/1991	Szegda	439/585
4,575,274	3/1986	Hayward	403/2	5,083,943	1/1992	Tarrant	439/583
4,583,811	4/1986	McMills	339/177	5,127,853	7/1992	McMills et al.	439/578
4,596,435	6/1986	Bickford	339/177	5,131,862	7/1992	Gershfeld	439/357
4,600,263	7/1986	DeChamp et al.	339/17	5,141,451	8/1992	Down	439/585
4,614,390	9/1986	Baker	339/61	5,181,161	1/1993	Hirose et al. .	
4,645,281	2/1987	Burger .		5,195,906	3/1993	Szegda .	
4,650,228	3/1987	McMills et al. .		5,205,761	4/1993	Nilsson	439/578
4,655,159	4/1987	McMills	116/212	5,207,602	5/1993	McMills et al.	439/836
4,660,921	4/1987	Hauver .		5,217,391	6/1993	Fisher, Jr.	439/578
4,668,043	5/1987	Saba et al.	339/177	5,217,393	6/1993	Del Negro et al.	439/585
4,674,818	6/1987	McMills et al. .		5,269,701	12/1993	Leibfried, Jr.	439/578
4,676,577	6/1987	Szegda	439/584	5,283,853	2/1994	Szegda .	
4,691,976	9/1987	Cowen .		5,295,864	3/1994	Birch et al.	439/578
4,738,009	4/1988	Down .		5,316,494	5/1994	Flanagan et al.	439/352
4,746,305	5/1988	Nomura	439/319	5,342,218	8/1994	McMills et al.	439/578
4,747,786	5/1988	Hayashi et al.	439/95	5,371,819	12/1994	Szegda .	
4,755,152	7/1988	Elliot et al.	439/452	5,371,821	12/1994	Szegda .	
4,806,116	2/1989	Ackerman	439/304	5,371,827	12/1994	Szegda .	
4,813,886	3/1989	Roos et al.	439/578	5,393,244	2/1995	Szegda .	
4,834,675	5/1989	Samchisen	439/578	5,431,583	7/1995	Szegda .	
4,854,893	8/1989	Morris	439/578	5,444,810	8/1995	Szegda .	
4,857,014	8/1989	Alf et al.	439/578	5,455,548	10/1995	Grandchamp et al.	333/260
4,869,679	9/1989	Szegda .		5,456,611	10/1995	Henry et al.	439/180
4,892,275	1/1990	Szegda .		5,456,614	10/1995	Szegda .	
4,902,246	2/1990	Samchisen	439/578	5,466,173	11/1995	Down	439/584
4,906,207	3/1990	Banning et al.	439/578	5,470,257	11/1995	Szegda	439/578
4,923,412	5/1990	Morris	439/578	5,494,454	2/1996	Johnsen	439/394
4,925,403	5/1990	Zorzy	439/578	5,501,616	3/1996	Holliday	439/585
4,929,188	5/1990	Lionetto et al.	439/349	5,525,076 *	6/1996	Down	439/585
4,990,104	2/1991	Schieferly	439/578	5,542,861	8/1996	Anhalt et al.	439/578
4,990,105	2/1991	Karlovich	439/578	5,548,088	8/1996	Gray et al.	174/74
4,990,106	2/1991	Szegda	439/585	5,598,132	1/1997	Stabile .	
5,002,503	3/1991	Campbell et al.	439/578	5,651,699	7/1997	Holliday	439/585
5,021,010	6/1991	Wright	439/578	5,667,405	9/1997	Holliday	439/585
5,024,606	6/1991	Ming-Hwa	439/578	5,975,951	11/1999	Burris et al.	439/585
5,037,328	8/1991	Karlovich	439/578	5,997,350	12/1999	Burris et al.	439/585
5,062,804	11/1991	Jamet et al.	439/394	6,032,358	3/2000	Wild	29/863
5,066,248	11/1991	Gaver .		6,102,737 *	8/2000	Gohdes	439/583

* cited by examiner

FIG. 1

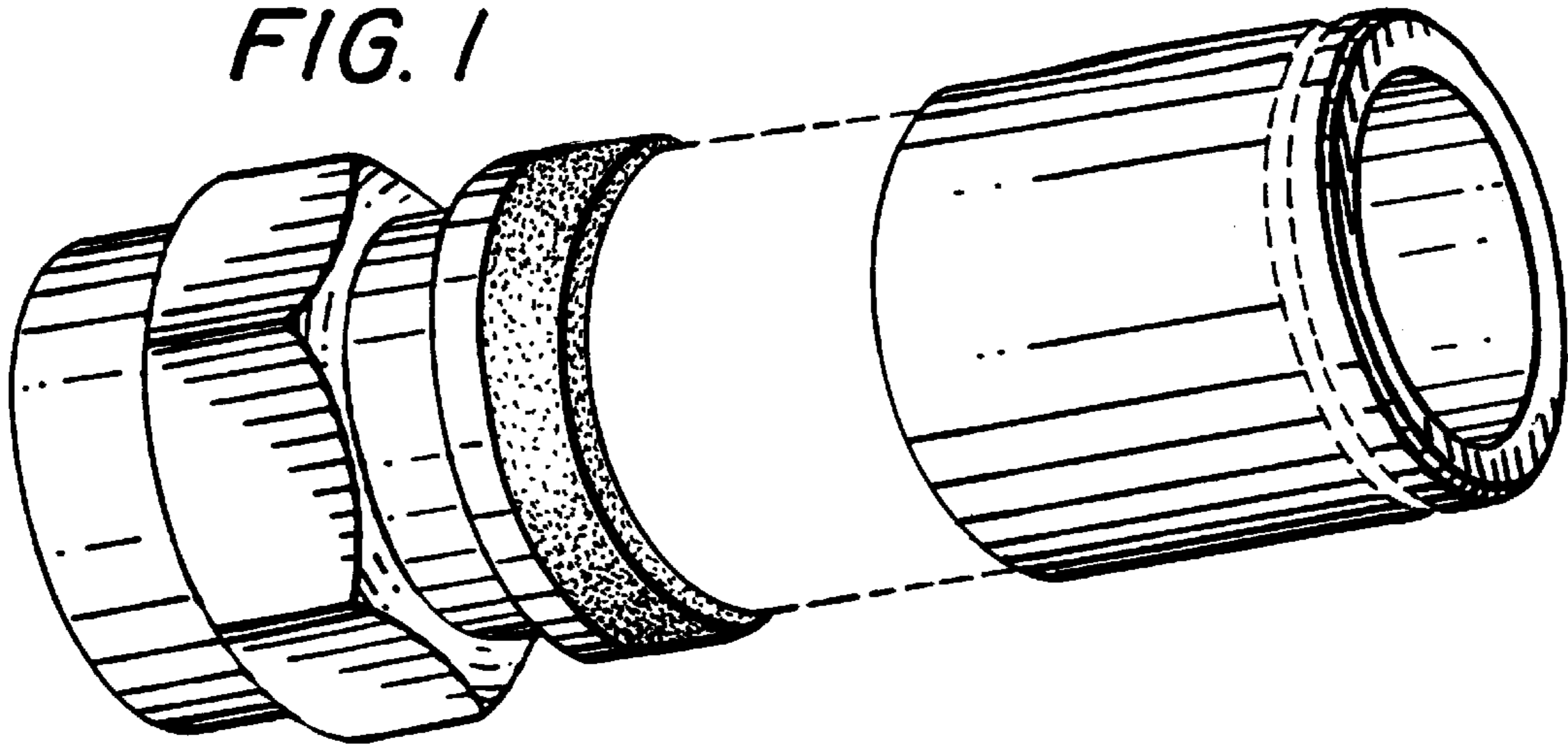


FIG. 2

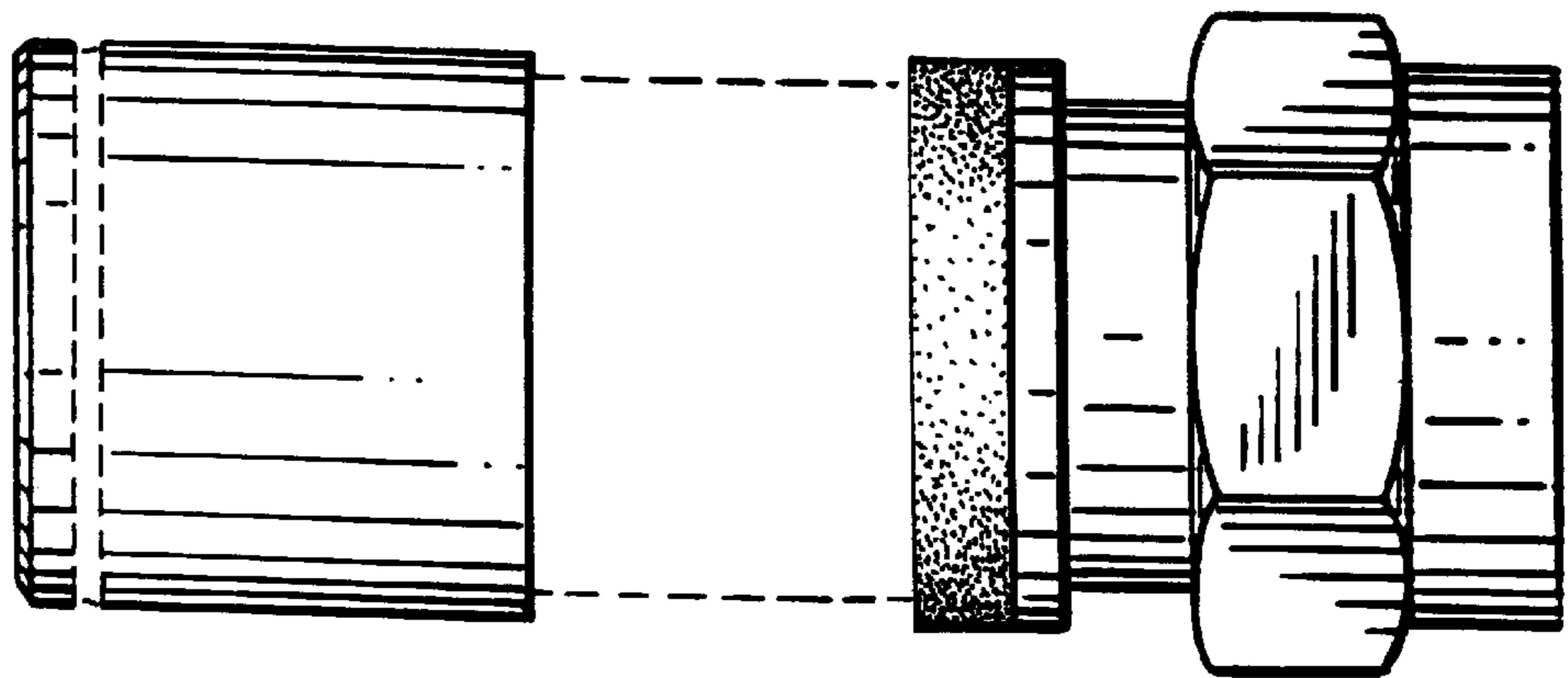


FIG. 3

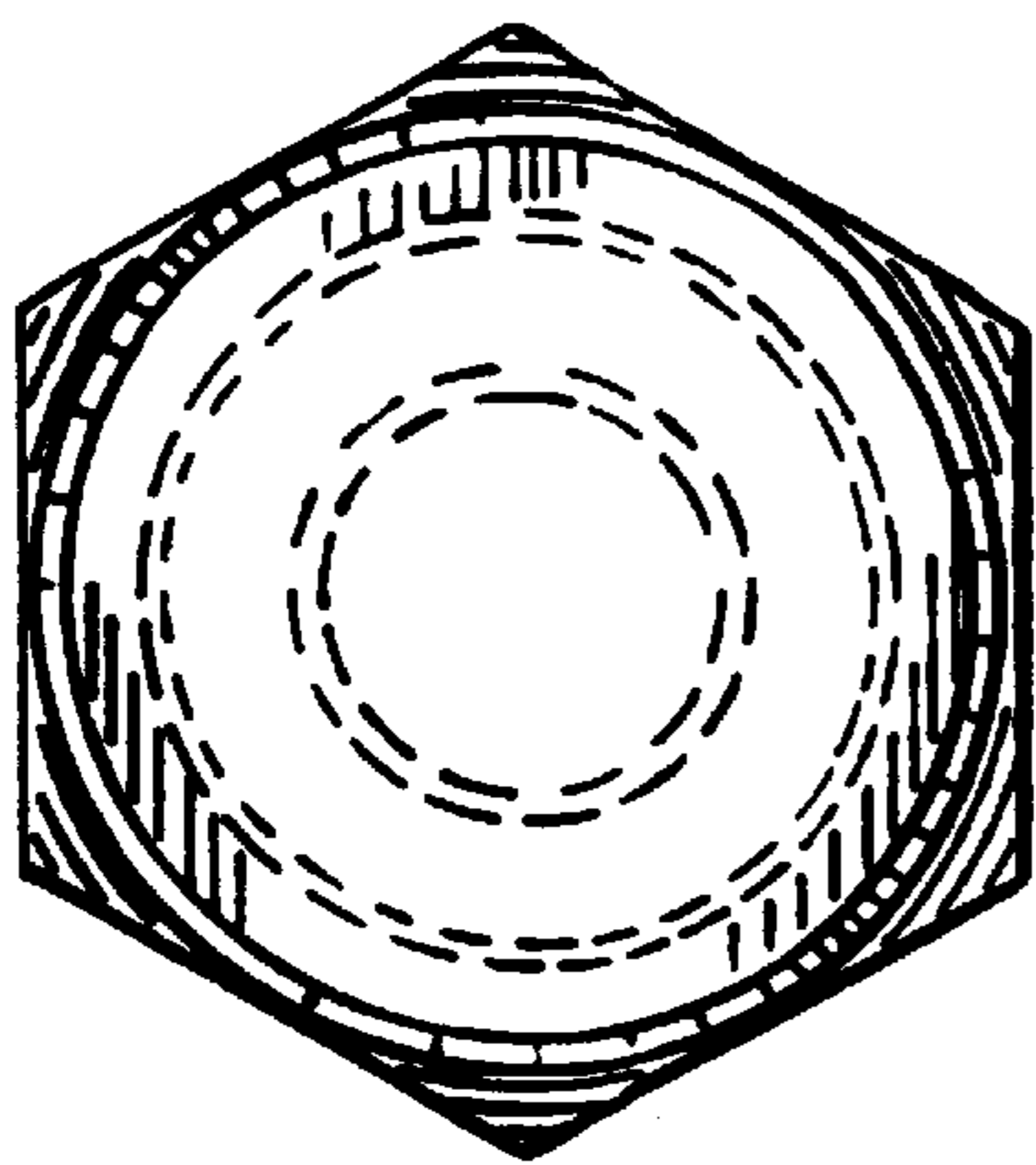
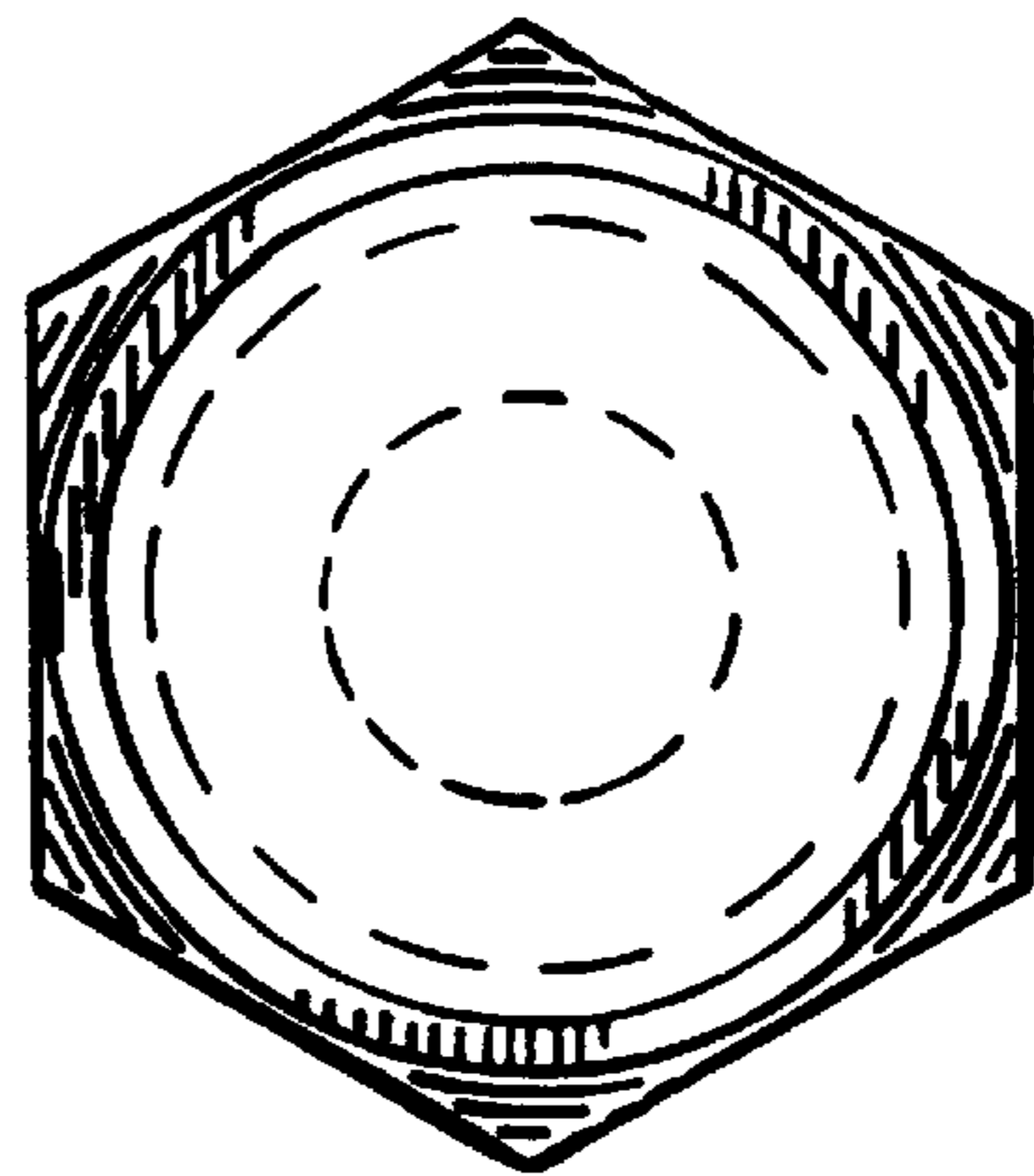


FIG. 4



UNITED STATES PATENT AND TRADEMARK OFFICE
CERTIFICATE OF CORRECTION

PATENT NO. : Des. 440,939 S
DATED : April 24, 2001
INVENTOR(S) : Noah P. Montena

Page 1 of 1


It is certified that error appears in the above-identified patent and that said Letters Patent is hereby corrected as shown below:

Title page,

Item [73], Assignee, insert -- **John Mezzalingua Associates, Inc.**, East
Syracuse, NY (US) --

Signed and Sealed this

Seventeenth Day of June, 2003

A handwritten signature in black ink, appearing to read "James E. Rogan", written over a horizontal line.

JAMES E. ROGAN
Director of the United States Patent and Trademark Office