



US00D440937S

(12) **United States Design Patent**
Germagian et al.

(10) **Patent No.:** **US D440,937 S**

(45) **Date of Patent:** **** Apr. 24, 2001**

(54) **UNINTERRUPTIBLE POWER SUPPLY**

(75) Inventors: **Mark H. Germagian**, Hudson;
Benjamin J. Beck, Boston, both of MA
(US)

(73) Assignee: **American Power Conversion**, West
Kingston, RI (US)

(**) Term: **14 Years**

(21) Appl. No.: **29/126,533**

(22) Filed: **Jul. 14, 2000**

2,988,655	6/1961	Rudolph et al. .
3,056,893	10/1962	Russ .
3,636,236	1/1972	Smith .
4,627,584	12/1986	D'Amato .
4,873,600	10/1989	Vogele .
5,007,860	4/1991	Robinson et al. .
5,122,069	6/1992	Brownlie et al. .
5,177,325	1/1993	Giammanco .
5,180,886	1/1993	Dierenbach et al. .
5,277,620	1/1994	Taylor .
5,334,052	8/1994	Chen .
5,384,428	1/1995	Luu .
5,645,449	7/1997	Sabo .
5,744,750	4/1998	Almond .
5,768,097	6/1998	Jelinger .

Related U.S. Application Data

(62) Division of application No. 29/110,505, filed on Sep. 8, 1999.

(51) **LOC (7) Cl.** **13-02**

(52) **U.S. Cl.** **D13/110**

(58) **Field of Search** D13/110, 123;
150/64, 150

(56) **References Cited**

U.S. PATENT DOCUMENTS

D. 122,482	9/1940	Fletcher .	
D. 134,818	1/1943	Fletcher .	
D. 142,475	10/1945	Gaguski .	
D. 240,836	8/1976	Corvette .	
D. 280,318	8/1985	Barone .	
D. 314,174	* 1/1991	Wong	D13/123
D. 316,396	4/1991	Decosse et al. .	
D. 329,618	9/1992	Hollander et al. .	
D. 339,101	* 9/1993	Delamoreaux et al.	D13/110
D. 341,124	11/1993	Krokaugger .	
D. 346,148	* 4/1994	Chen	D13/110
D. 374,809	10/1996	Scherer et al. .	
D. 374,861	* 10/1996	Mousa	D13/110
D. 376,347	* 12/1996	Mousa	D13/110
D. 378,577	3/1997	Peroni .	
D. 391,554	3/1998	Latchaw .	
D. 394,424	5/1998	Wachter .	
D. 396,688	* 8/1998	Lin	D13/110
D. 402,626	* 12/1998	Fujita et al.	D13/110
D. 406,100	* 2/1999	Murphy	D13/110
2,978,596	4/1961	Robirds .	

OTHER PUBLICATIONS

U.S. application No. 09/392,129, filed Sep. 8, 1999, Germagian.

* cited by examiner

Primary Examiner—Joel Sincavage

(74) *Attorney, Agent, or Firm*—Mintz, Levin, Cohn, Ferris, Glovsky and Popeo PC

(57) **CLAIM**

We claim the ornamental design for a uninterruptible power supply, as shown and described.

DESCRIPTION

FIG. 1 is a front and upper left perspective view of an uninterruptible power supply in accordance with the present invention;

FIG. 2 is a front view of the uninterruptible power supply of FIG. 1;

FIG. 3 is a top view of the uninterruptible power supply of FIG. 1;

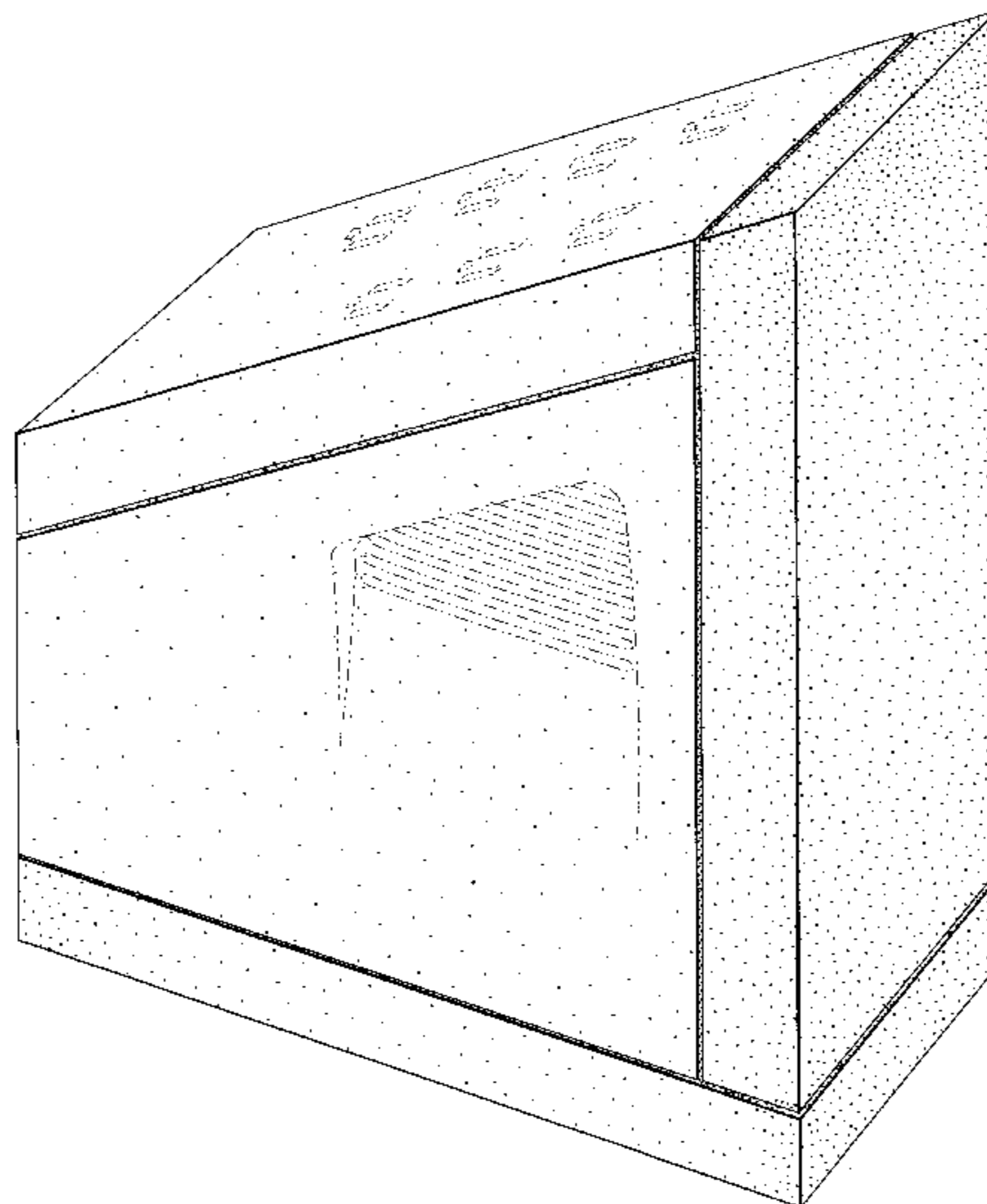
FIG. 4 is a bottom view of the uninterruptible power supply of FIG. 1;

FIG. 5 is a back view of the uninterruptible power supply of FIG. 1; and,

FIG. 6 is a right side view of the uninterruptible power supply of FIG. 1.

Any broken line illustrations in the drawings are not part of the claimed design.

1 Claim, 6 Drawing Sheets



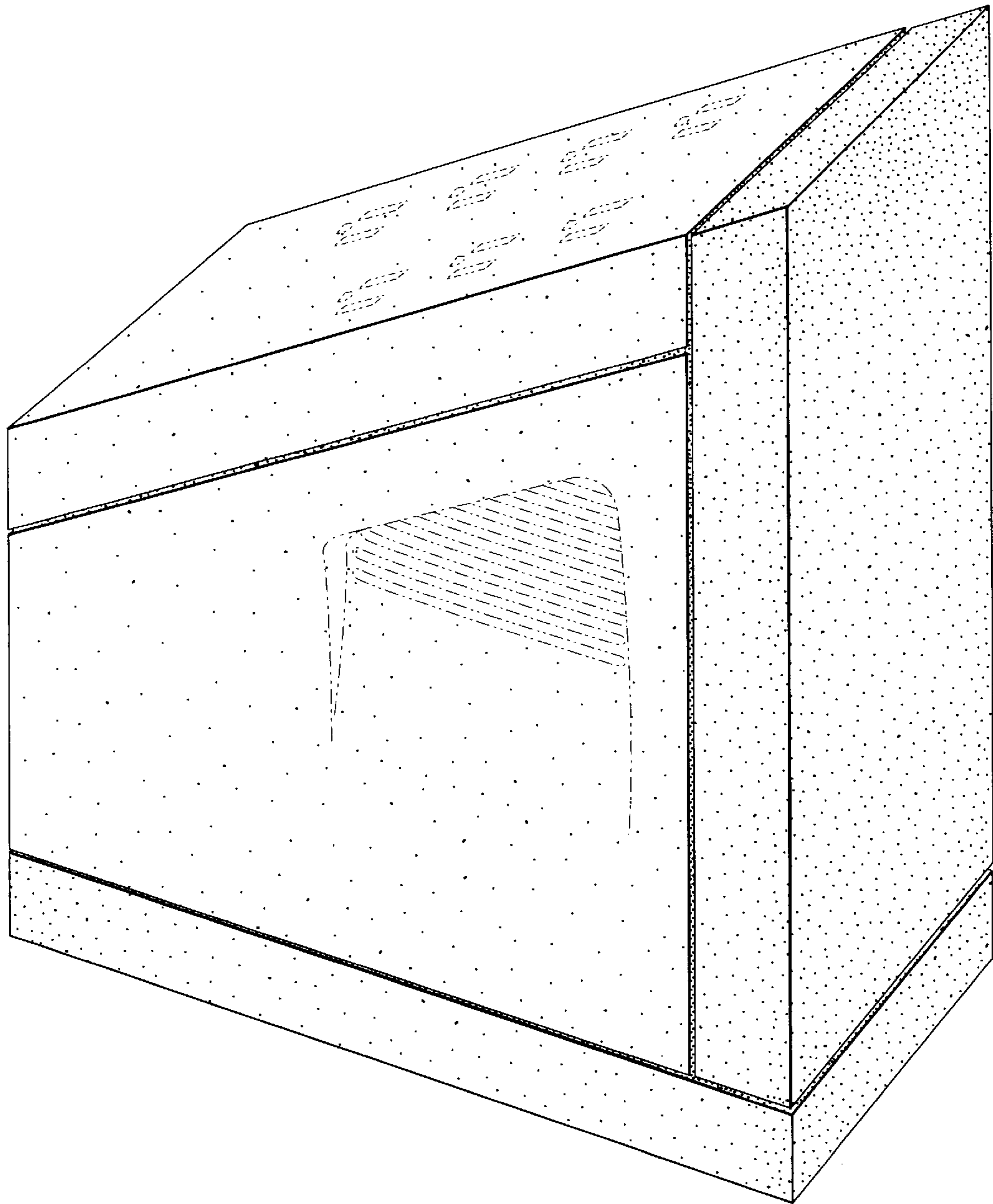


Fig. 1

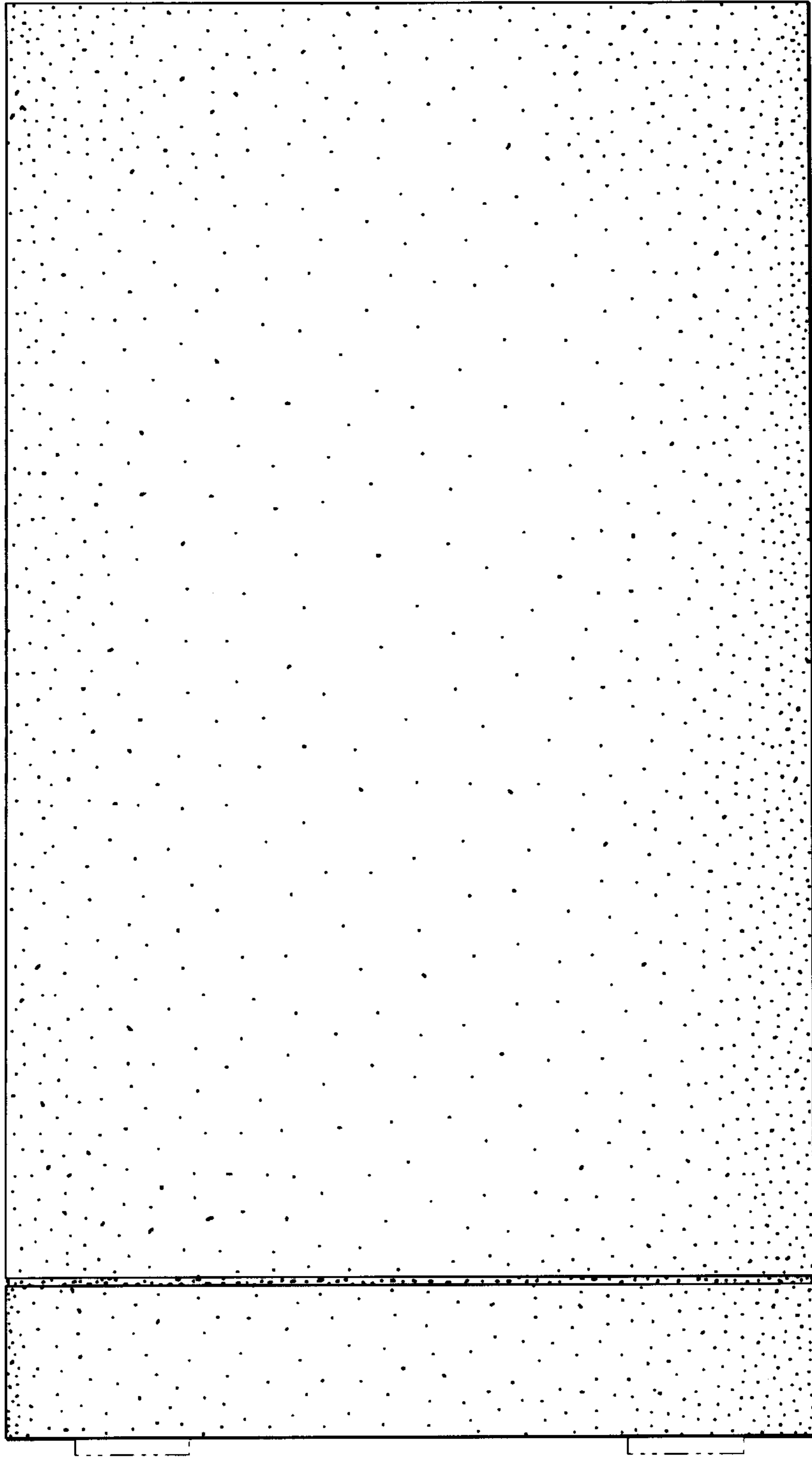


Fig. 2

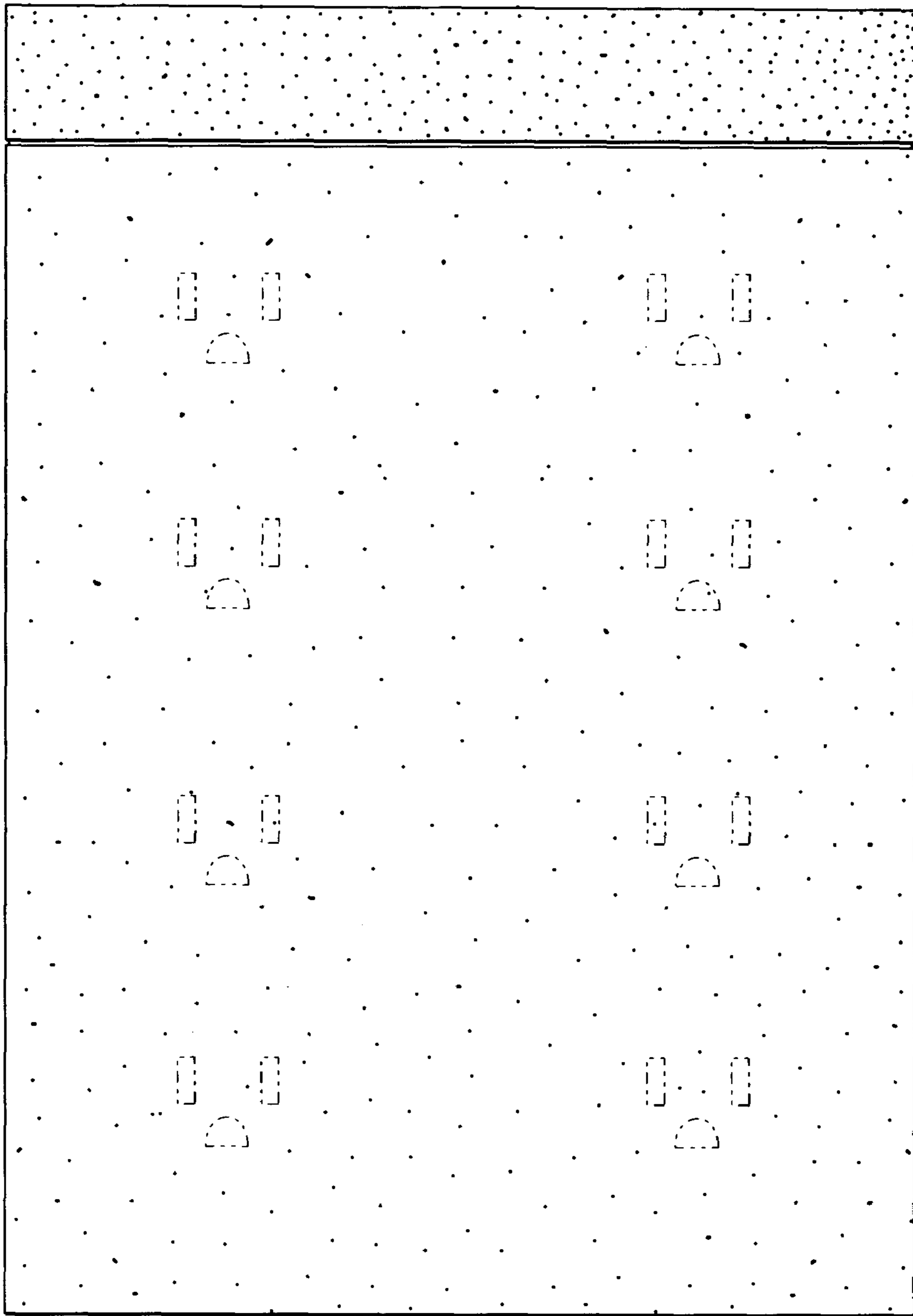


Fig. 3

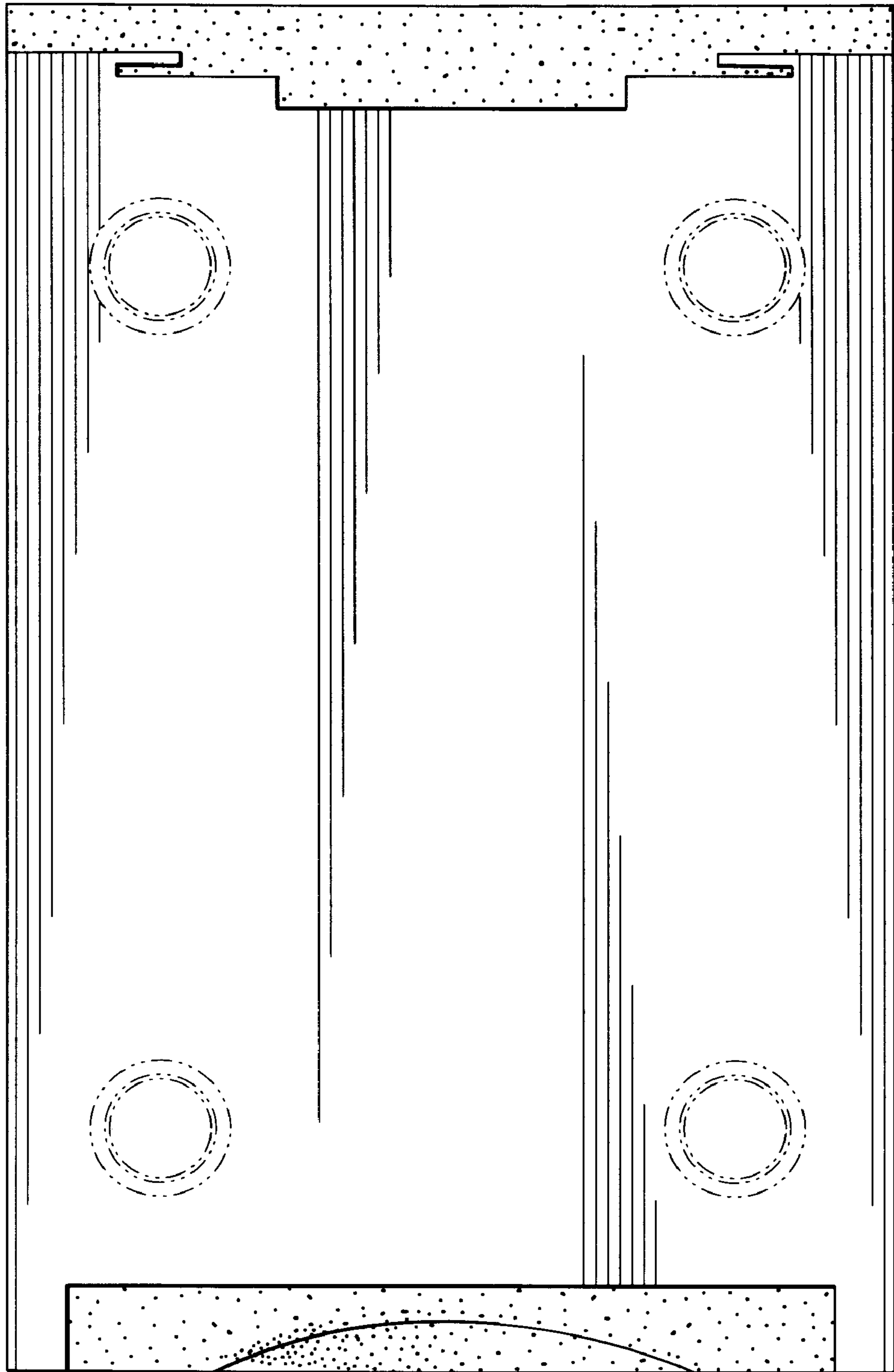


Fig. 4

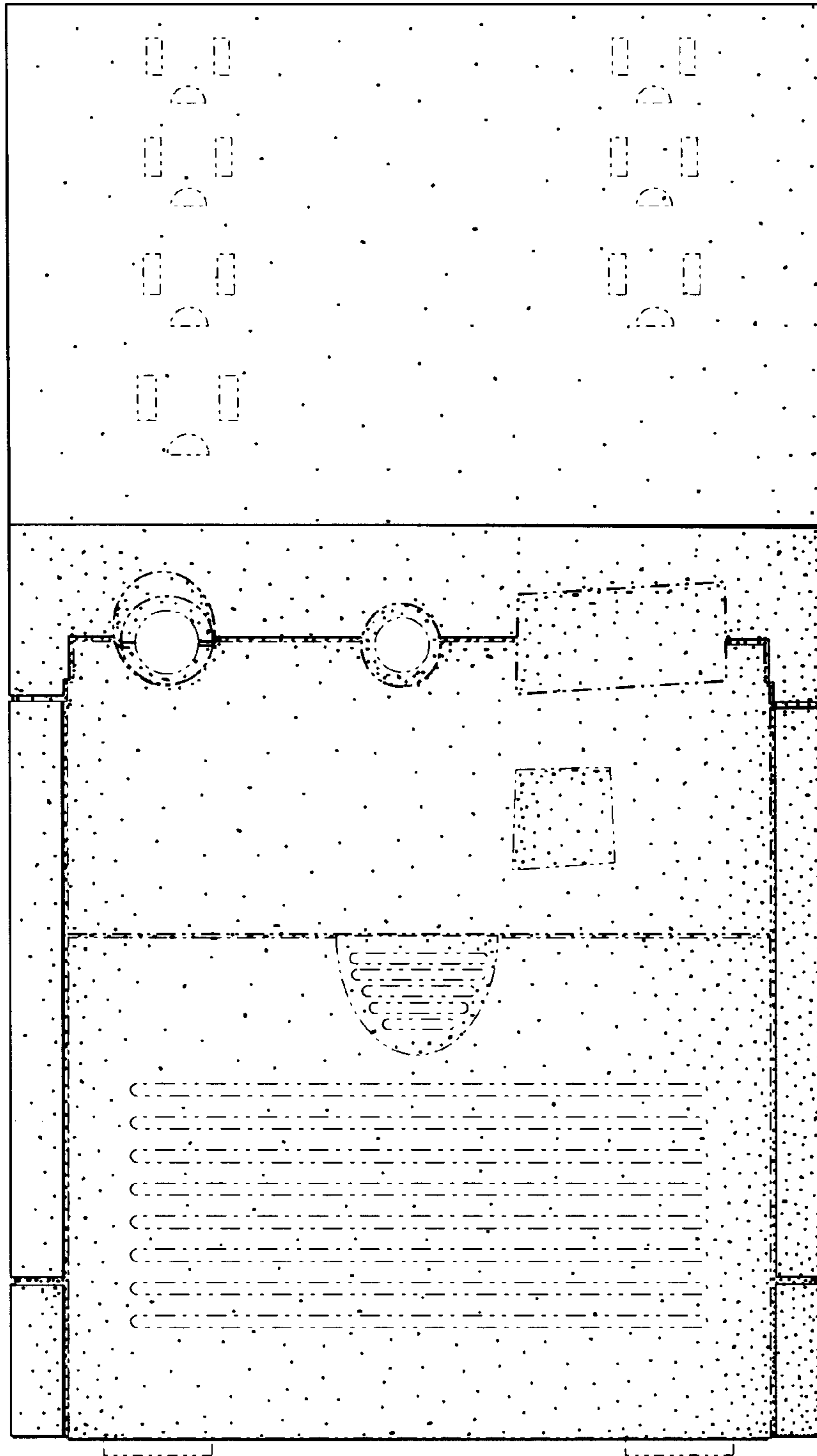


Fig. 5

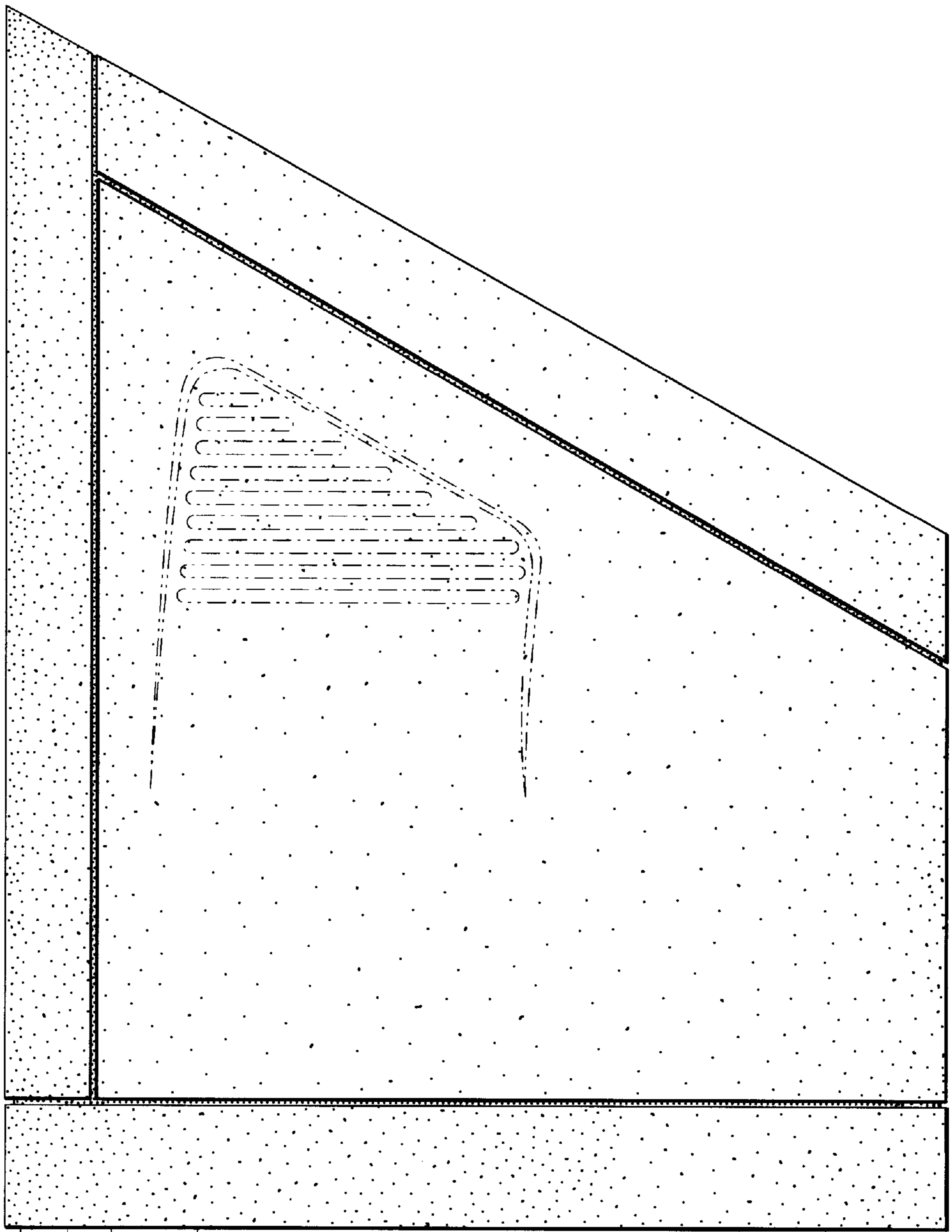


Fig. 6