



US00D440935S

(12) **United States Design Patent**
Stanfield et al.

(10) **Patent No.:** **US D440,935 S**

(45) **Date of Patent:** **** Apr. 24, 2001**

(54) **MARINE BATTERY CHARGER**

D. 416,232 * 11/1999 Einck D13/152

(76) Inventors: **James R. Stanfield**, 13423 N. 69th Ave., Peoria, AZ (US) 85381; **Robert A. Daquilante**, 6215 W. Mescal St., Glendale, AZ (US) 85304

* cited by examiner

Primary Examiner—Joel Sincavage

(**) Term: **14 Years**

(57) **CLAIM**

The ornamental design for a marine battery charger, as shown and described.

(21) Appl. No.: **29/122,019**

DESCRIPTION

(22) Filed: **Apr. 15, 2000**

(51) **LOC (7) Cl.** **13-02**

(52) **U.S. Cl.** **D13/107**

(58) **Field of Search** D13/106, 107,
D13/152, 156, 184; 320/107-115

FIG. 1 is a perspective view of a marine battery charger showing our new design;

FIG. 2 is a top plan view thereof;

FIG. 3 is a right side elevational view thereof, the left side being a mirror image;

FIG. 4 is a bottom plan view thereof;

FIG. 5 is a front elevational view thereof; and,

FIG. 6 is a rear elevational view thereof.

The broken lines shown in FIG. 4 illustrate features of the charger that form no part of the claimed design.

(56) **References Cited**

U.S. PATENT DOCUMENTS

D. 265,986 * 8/1982 Wearsch et al. D13/156

D. 337,308 * 7/1993 Farinelli et al. D13/152

1 Claim, 4 Drawing Sheets

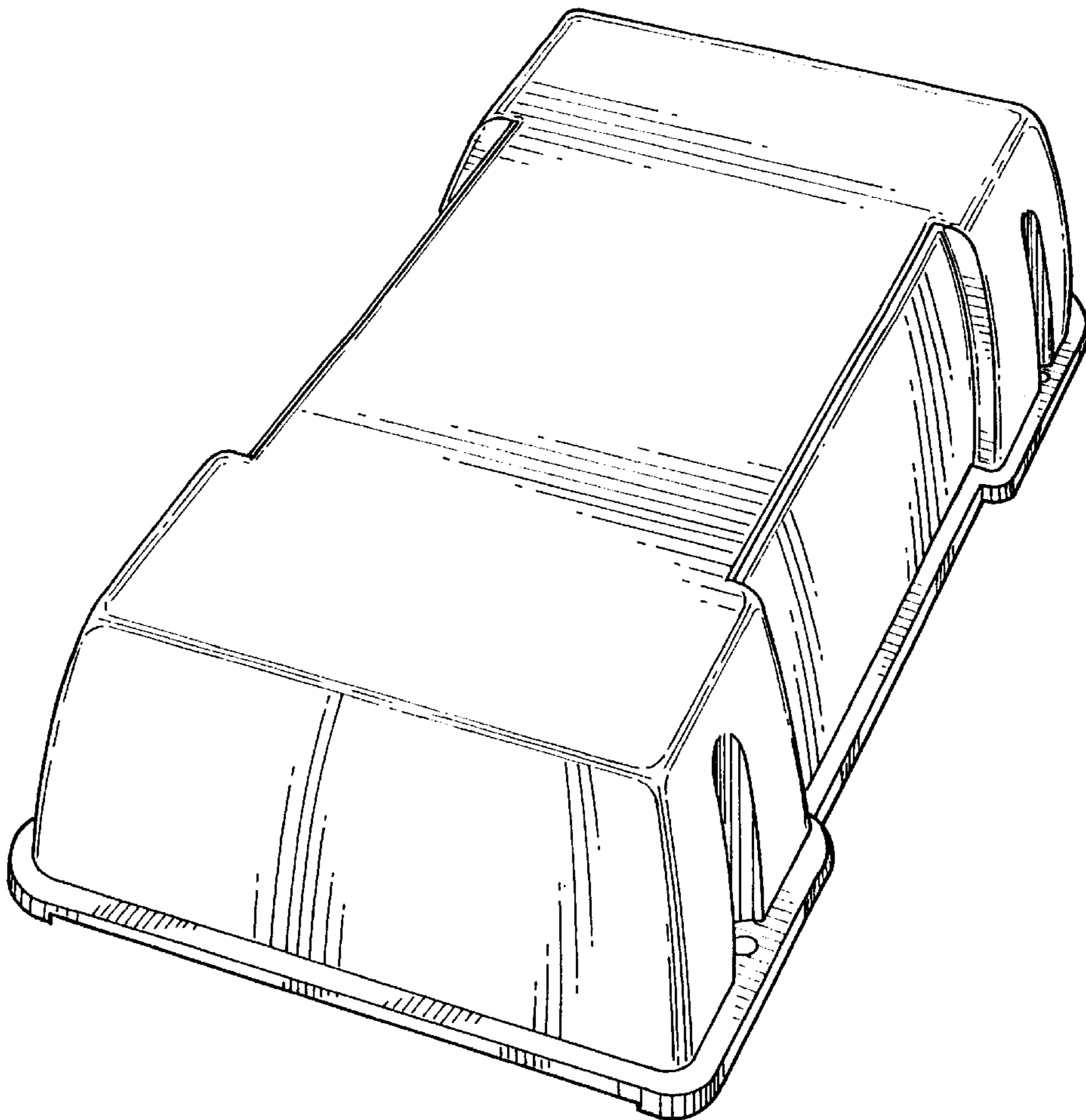


FIG. 1

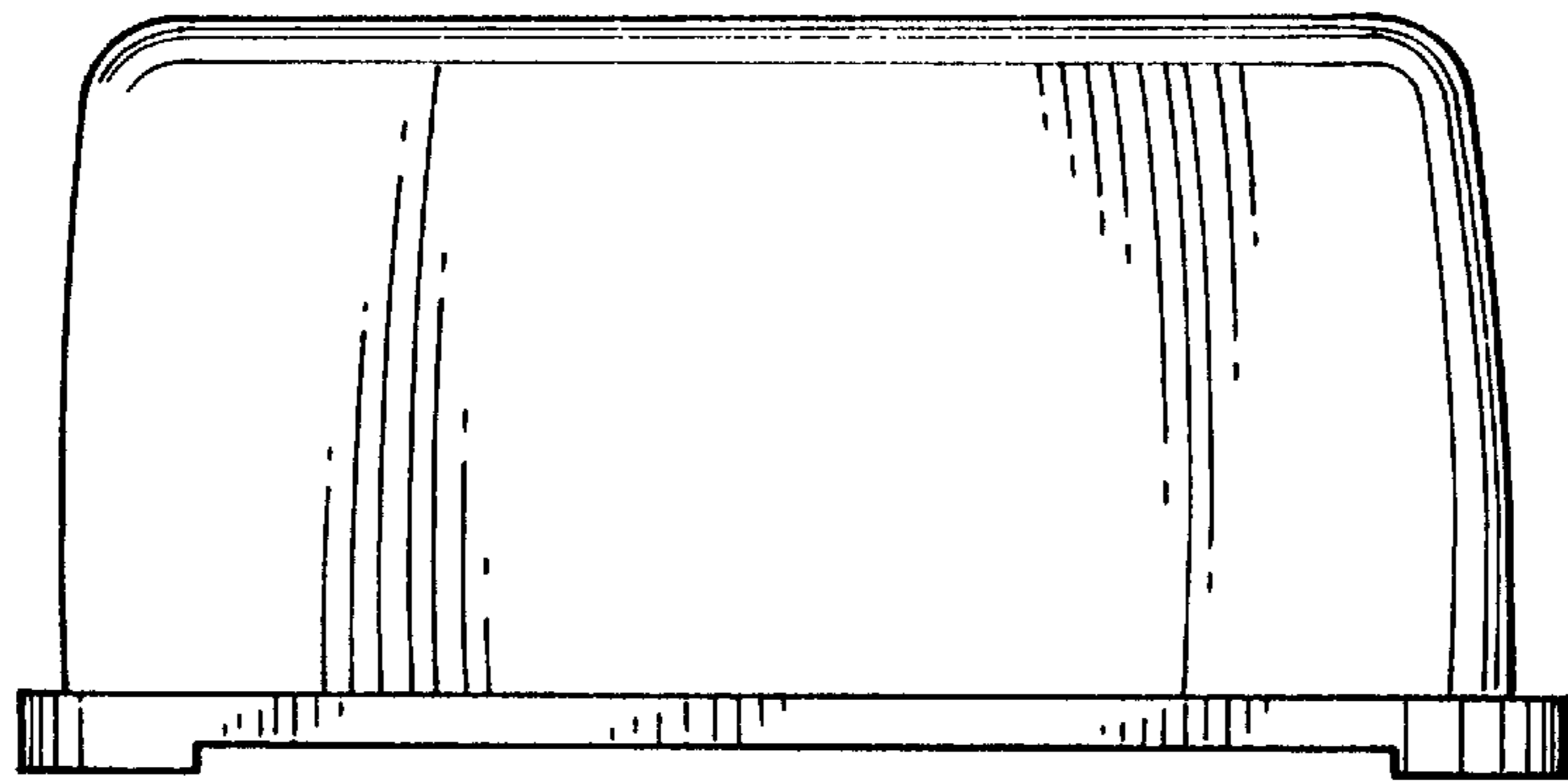
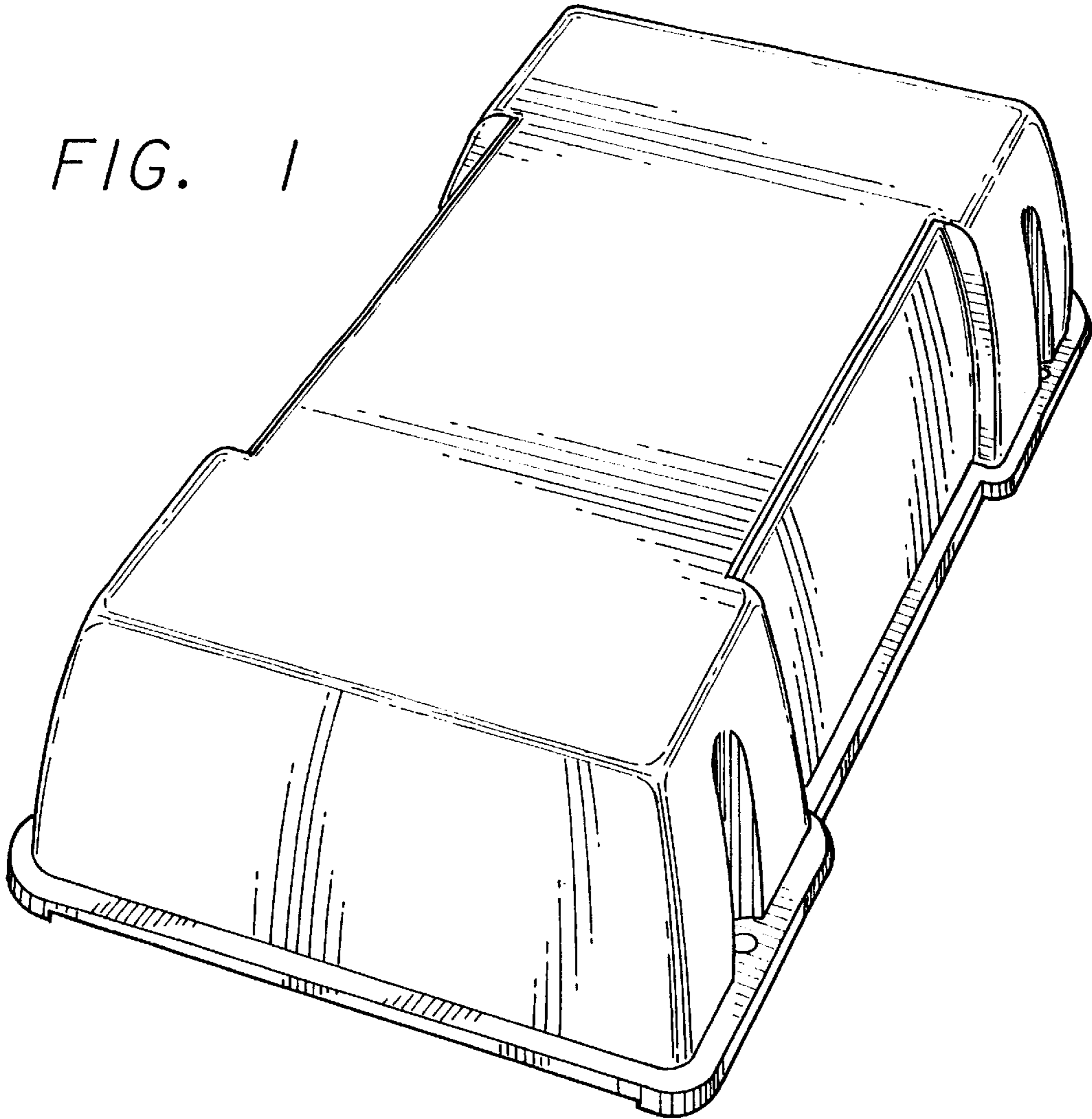


FIG. 3

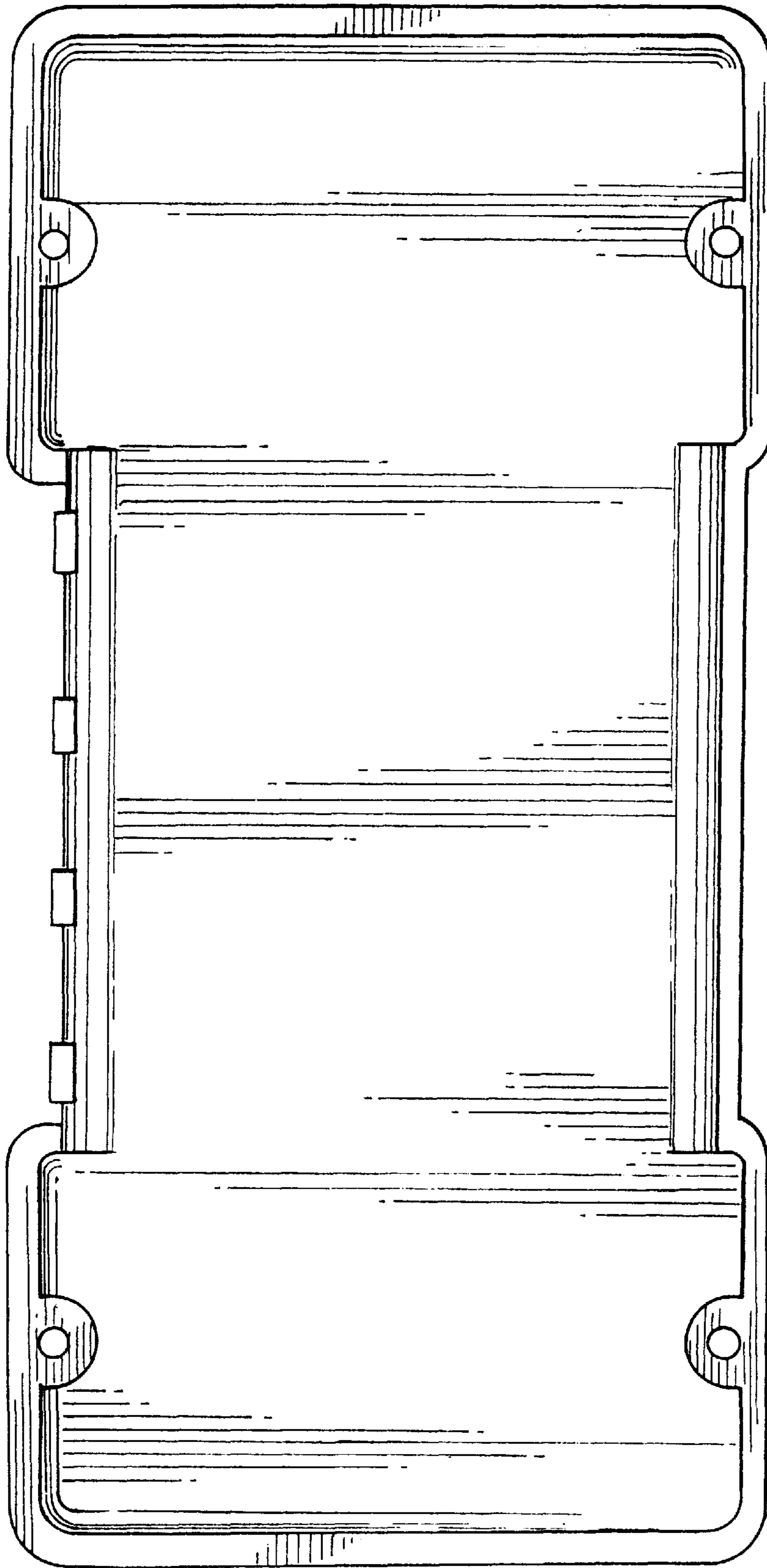


FIG. 2

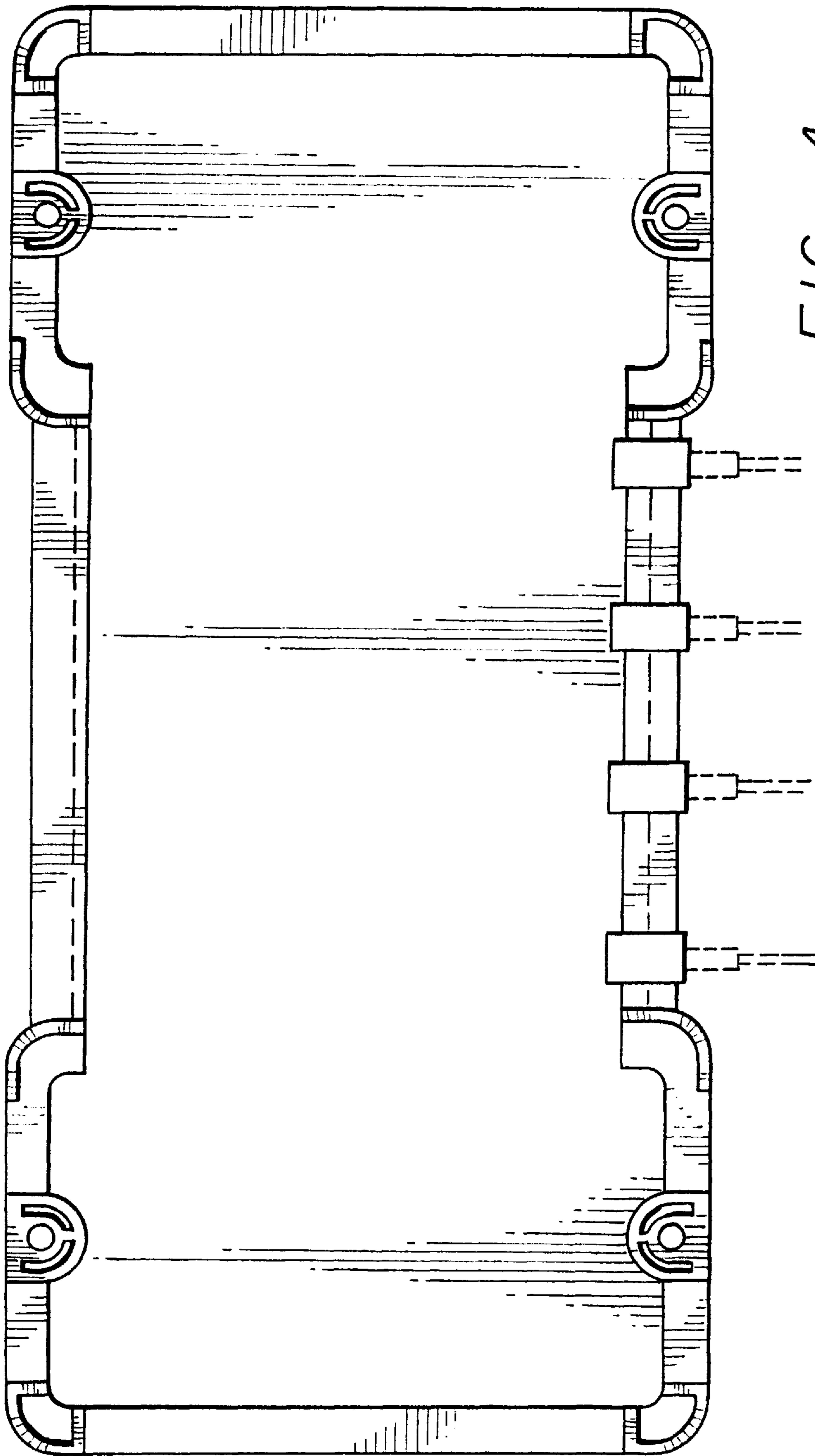


FIG. 4

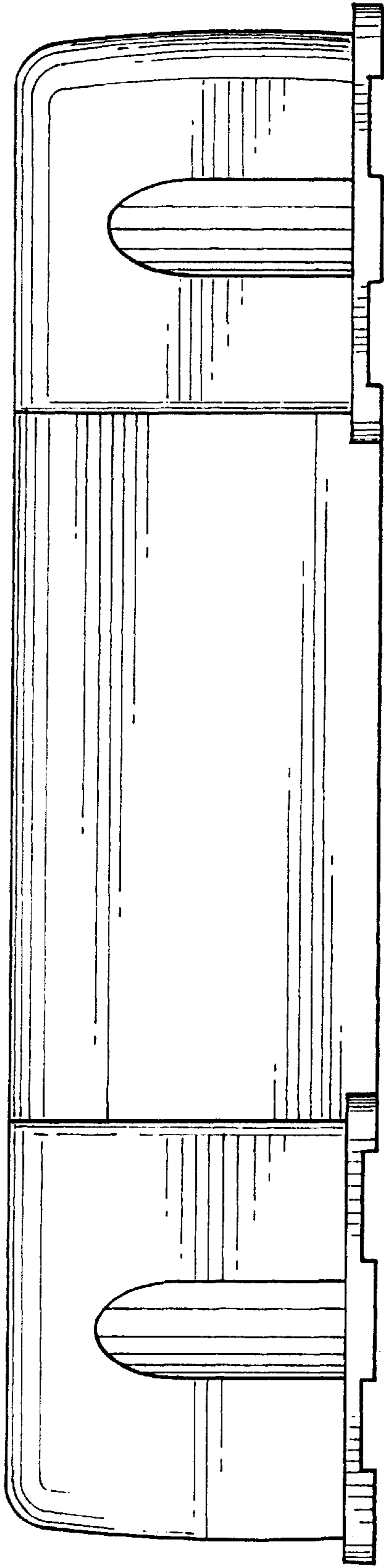


FIG. 5

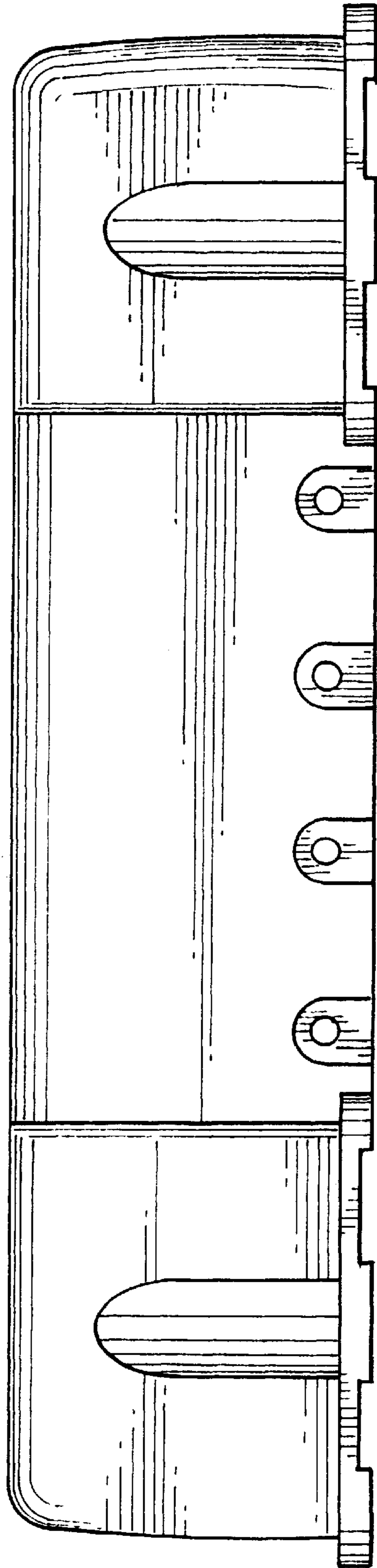


FIG. 6