



US00D440929S

(12) **United States Design Patent**  
**Marko et al.**

(10) **Patent No.:** **US D440,929 S**

(45) **Date of Patent:** **\*\* Apr. 24, 2001**

(54) **FAN SHROUD FOR A TRUCK**

D. 425,193 \* 5/2000 Brewer ..... D23/411

D. 430,283 \* 8/2000 Wu ..... D23/411

(75) Inventors: **Kenneth M. Marko**, Corinth; **Jimmy D. Farquhar**, Denton, both of TX (US)

\* cited by examiner

(73) Assignee: **Paccar INC**, Bellevue, WA (US)

*Primary Examiner*—Melody N. Brown

(74) *Attorney, Agent, or Firm*—Sidley & Austin

(\*\*) Term: **14 Years**

(57) **CLAIM**

(21) Appl. No.: **29/117,473**

The ornamental design for a fan shroud for a truck, as shown and described.

(22) Filed: **Jan. 26, 2000**

**DESCRIPTION**

(51) **LOC (7) Cl.** ..... **12-16**

(52) **U.S. Cl.** ..... **D12/196**; D23/411

(58) **Field of Search** ..... D12/93, 196, 197;  
296/181, 183; D23/411, 381, 382; 416/5,  
244 R, 247 R; 392/364

FIG. 1 is an upper rear perspective view of a fan shroud for a truck showing our new design;

FIG. 2 is a front view thereof;

FIG. 3 is a rear view thereof;

FIG. 4 is a top view thereof;

FIG. 5 is a bottom view thereof;

FIG. 6 is a left side view thereof; and,

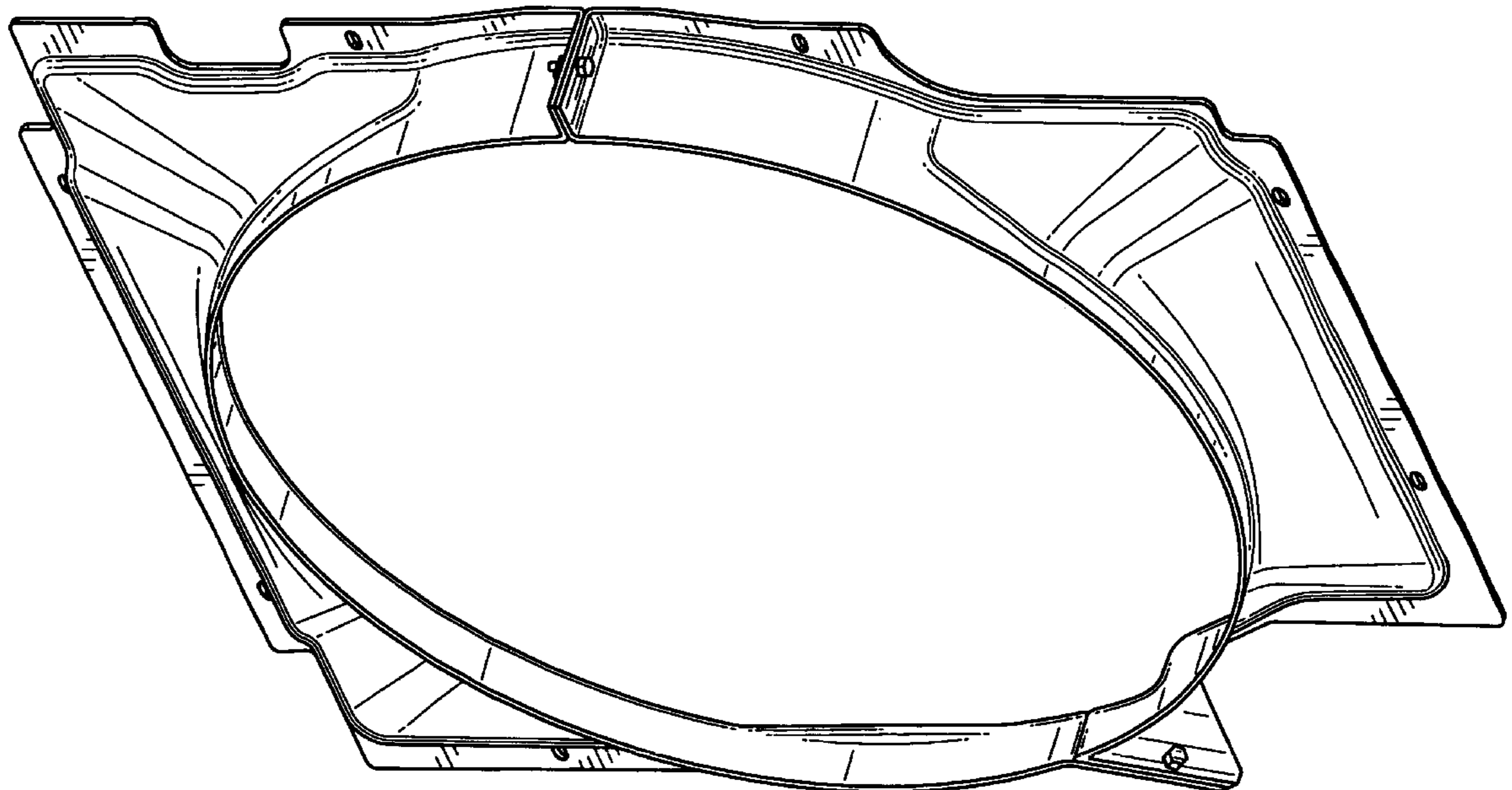
FIG. 7 is a right side view thereof.

(56) **References Cited**

**U.S. PATENT DOCUMENTS**

D. 422,352 \* 4/2000 Gee, II ..... D23/411

**1 Claim, 5 Drawing Sheets**



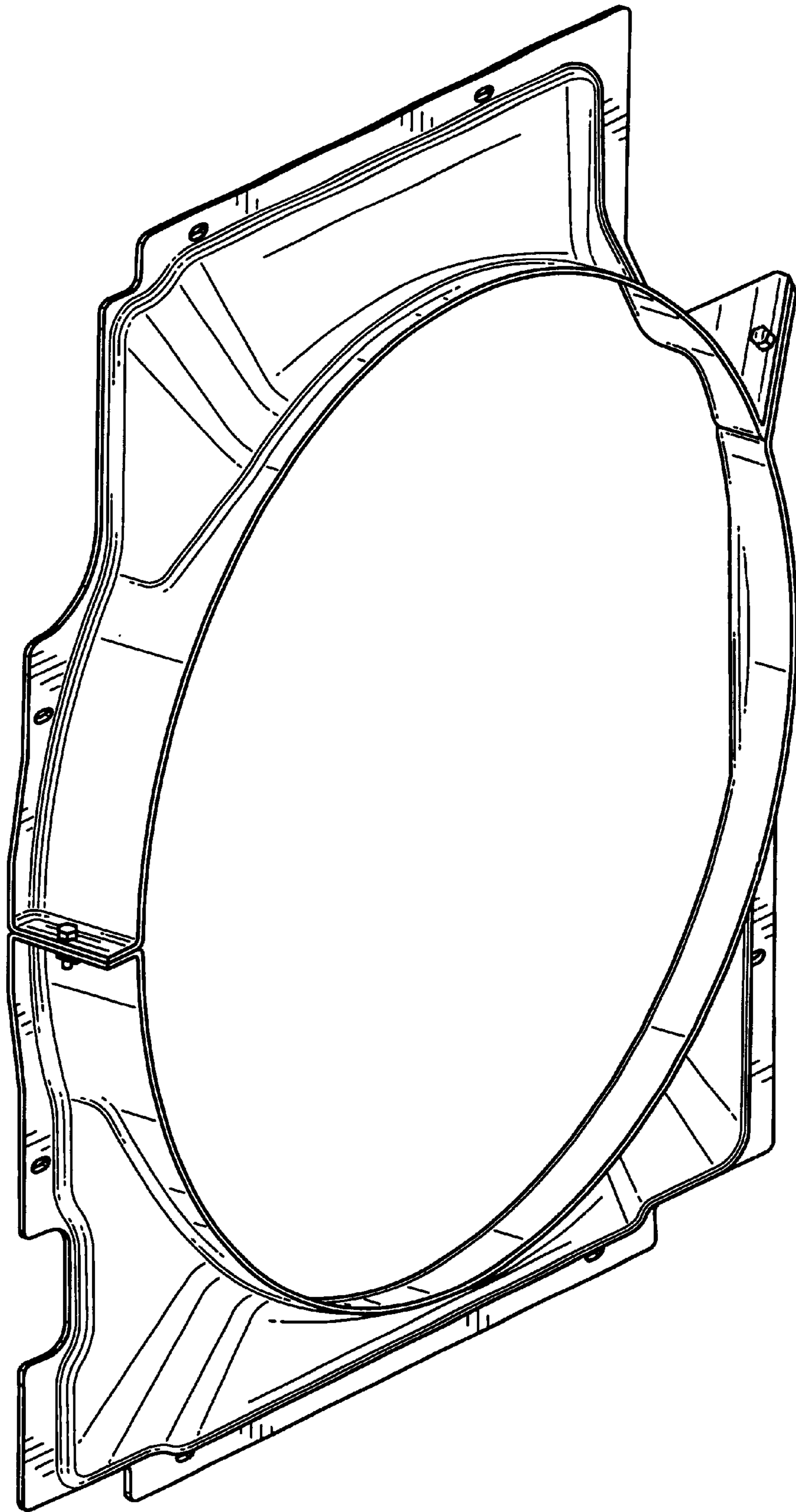


FIG. 1

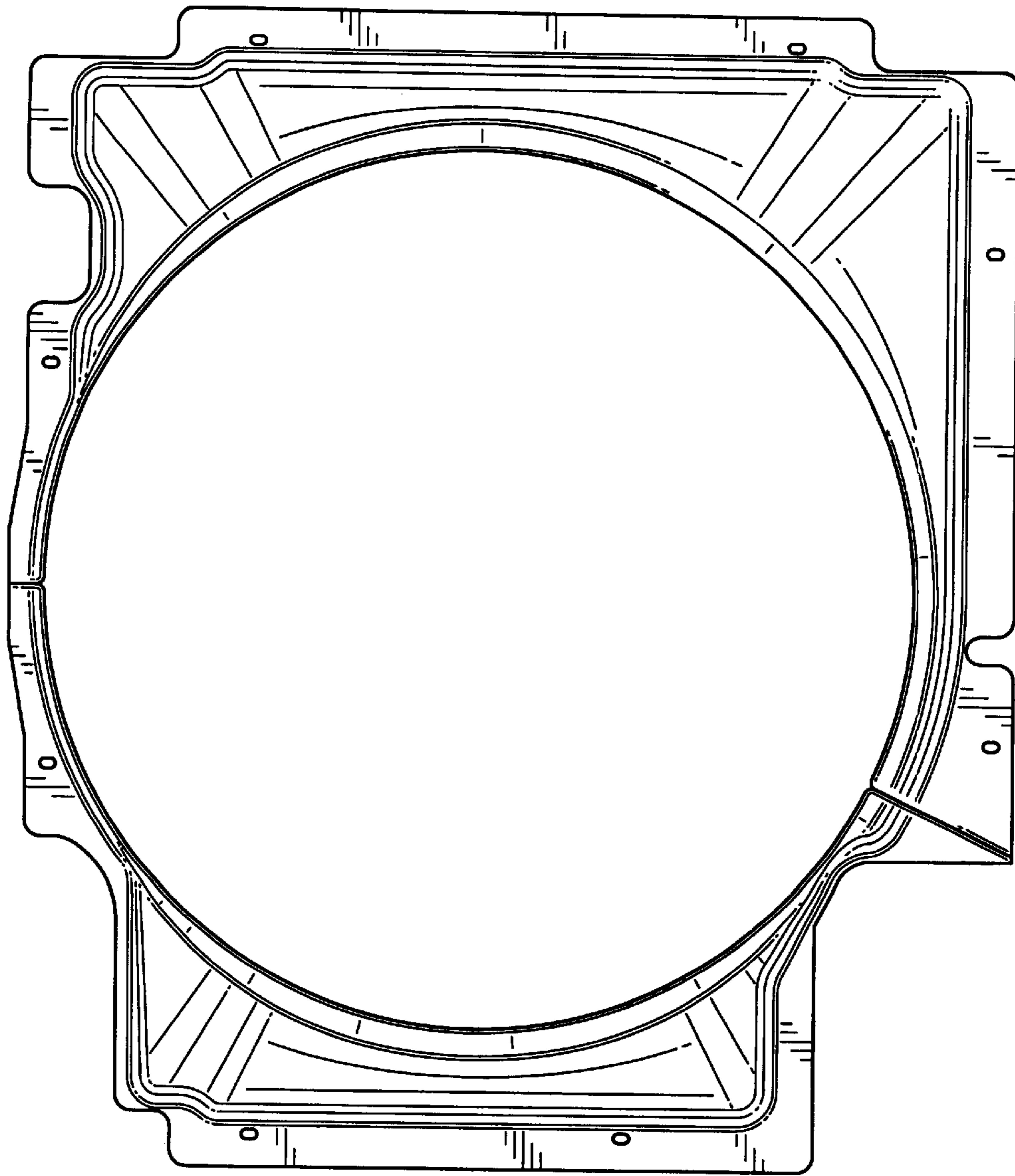


FIG. 2

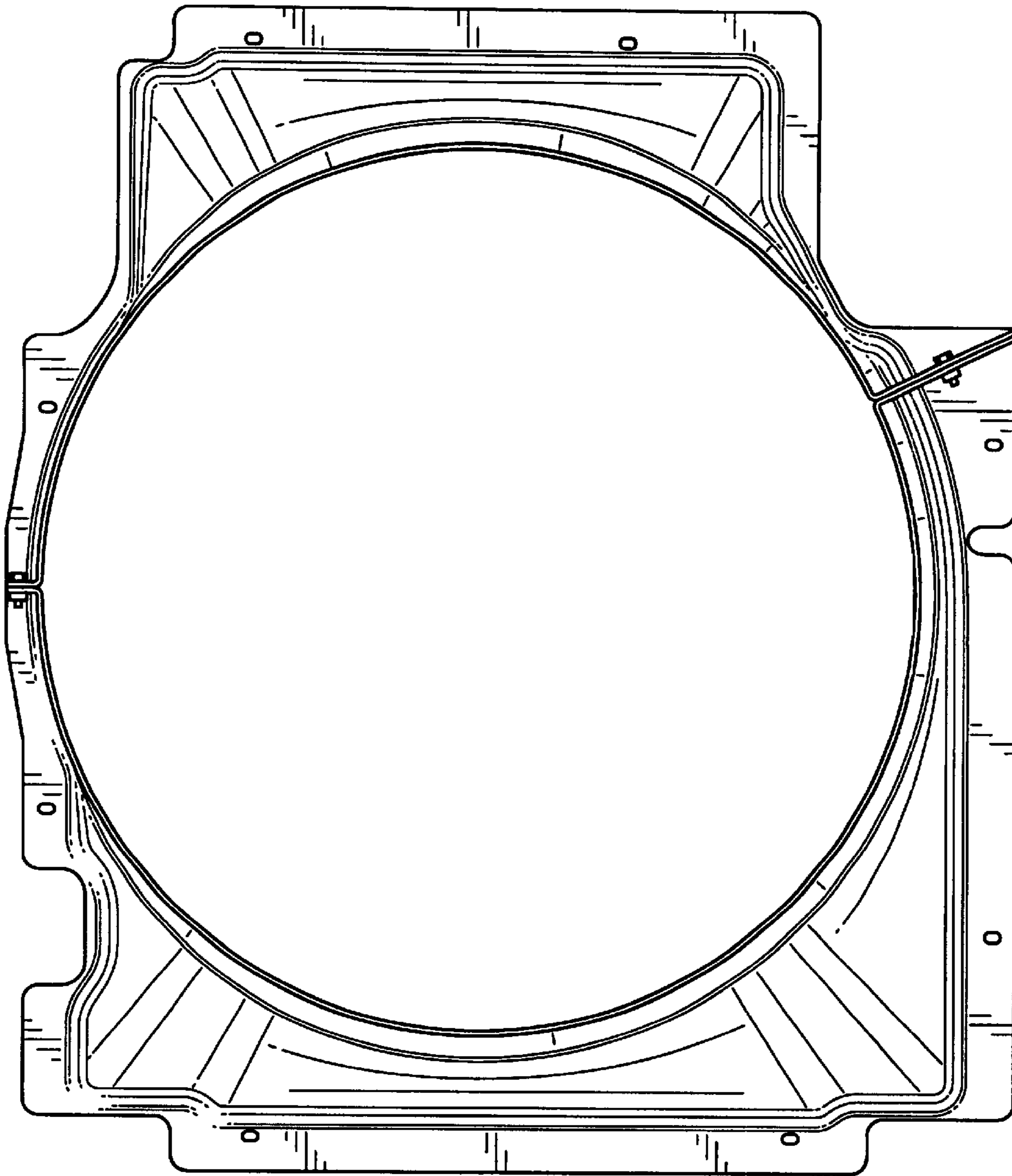


FIG. 3

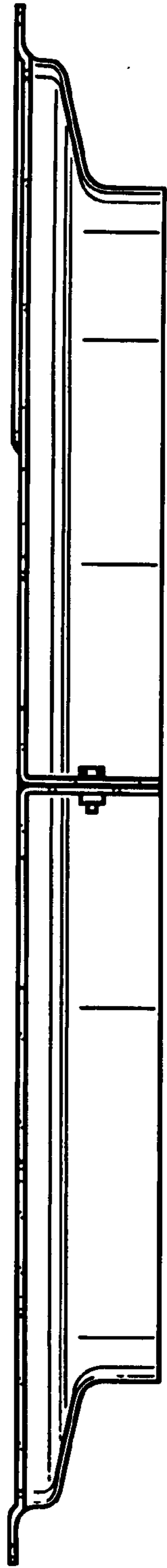


FIG. 4

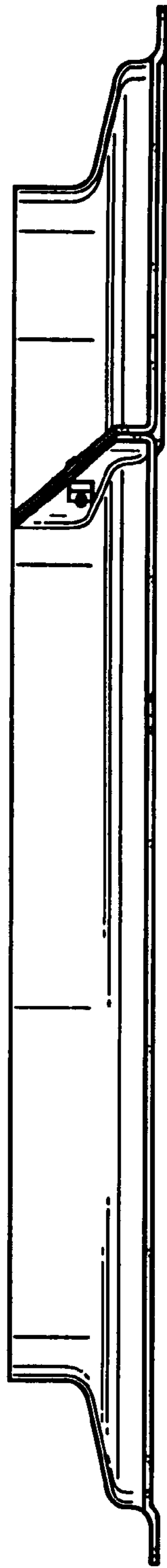


FIG. 5

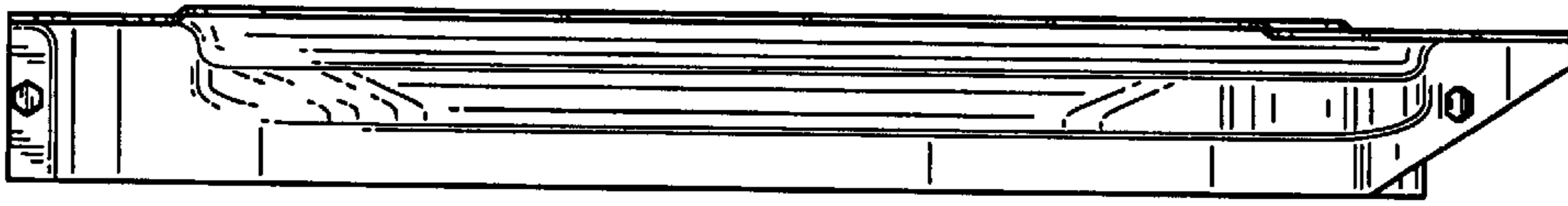


FIG. 7

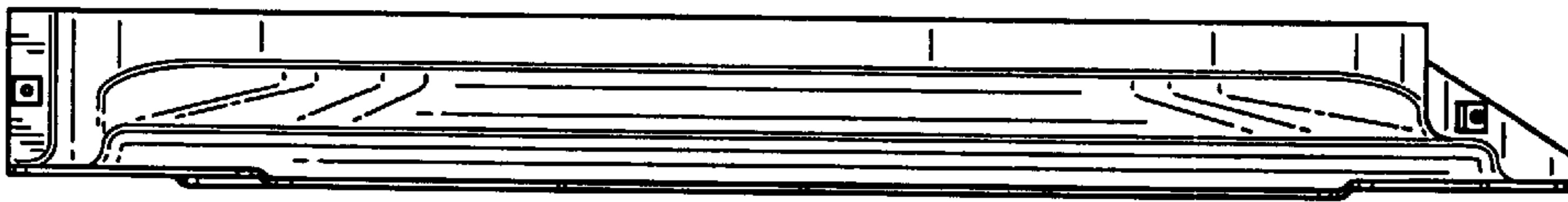


FIG. 6