



US00D440927S

(12) **United States Design Patent**  
**Pfeiffer**

(10) **Patent No.:** **US D440,927 S**

(45) **Date of Patent:** **\*\* Apr. 24, 2001**

(54) **INSTRUMENT PANEL FOR AN  
AUTOMOBILE RADIO AND NAVIGATION  
SYSTEM**

(75) Inventor: **Peter Pfeiffer**, Boeblingen (DE)

(73) Assignee: **DaimlerChrysler AG**, Stuttgart (DE)

(\*\*) Term: **14 Years**

(21) Appl. No.: **29/128,904**

(22) Filed: **Sep. 5, 2000**

(30) **Foreign Application Priority Data**

Mar. 3, 2000 (DE) ..... 4 00 02 245

(51) **LOC (7) Cl.** ..... **12-16**

(52) **U.S. Cl.** ..... **D12/192**

(58) **Field of Search** ..... D12/192, 415,  
D12/423-426; 296/37.1-37.8, 70, 190-191;  
180/90; 280/750-752, 770; D23/327, 354,  
387; D10/49-51, 103; D15/28; D14/427

(56) **References Cited**

**U.S. PATENT DOCUMENTS**

- D. 339,786 \* 9/1993 Allendorph et al. .... D12/192
- D. 364,840 \* 12/1995 Oshizawa et al. .... D12/192
- D. 394,017 \* 5/1998 Liao et al. .... D12/192 X
- D. 401,545 \* 11/1998 Sacco et al. .... D12/192
- D. 411,498 \* 6/1999 Pourias ..... D12/192
- D. 417,267 \* 11/1999 Sacco et al. .... D12/192 X
- D. 434,425 \* 11/2000 Rossow et al. .... D12/192 X

D. 435,818 \* 1/2001 Shimizu et al. .... D12/192

\* cited by examiner

*Primary Examiner*—Stacia Cadmus

(74) *Attorney, Agent, or Firm*—Evenson, McKeown,  
Edwards & Lenahan, P.L.L.C.

(57) **CLAIM**

The ornamental design for an instrument panel for an automobile radio and navigation system, as shown and described.

**DESCRIPTION**

FIG. 1 is a perspective view of an instrument panel for an automobile radio and navigation system according to my novel design;

FIG. 2 is a front view of the instrument panel for an automobile radio and navigation system according to my novel design;

FIG. 3 is a right view of the instrument panel for an automobile radio and navigation system according to my novel design;

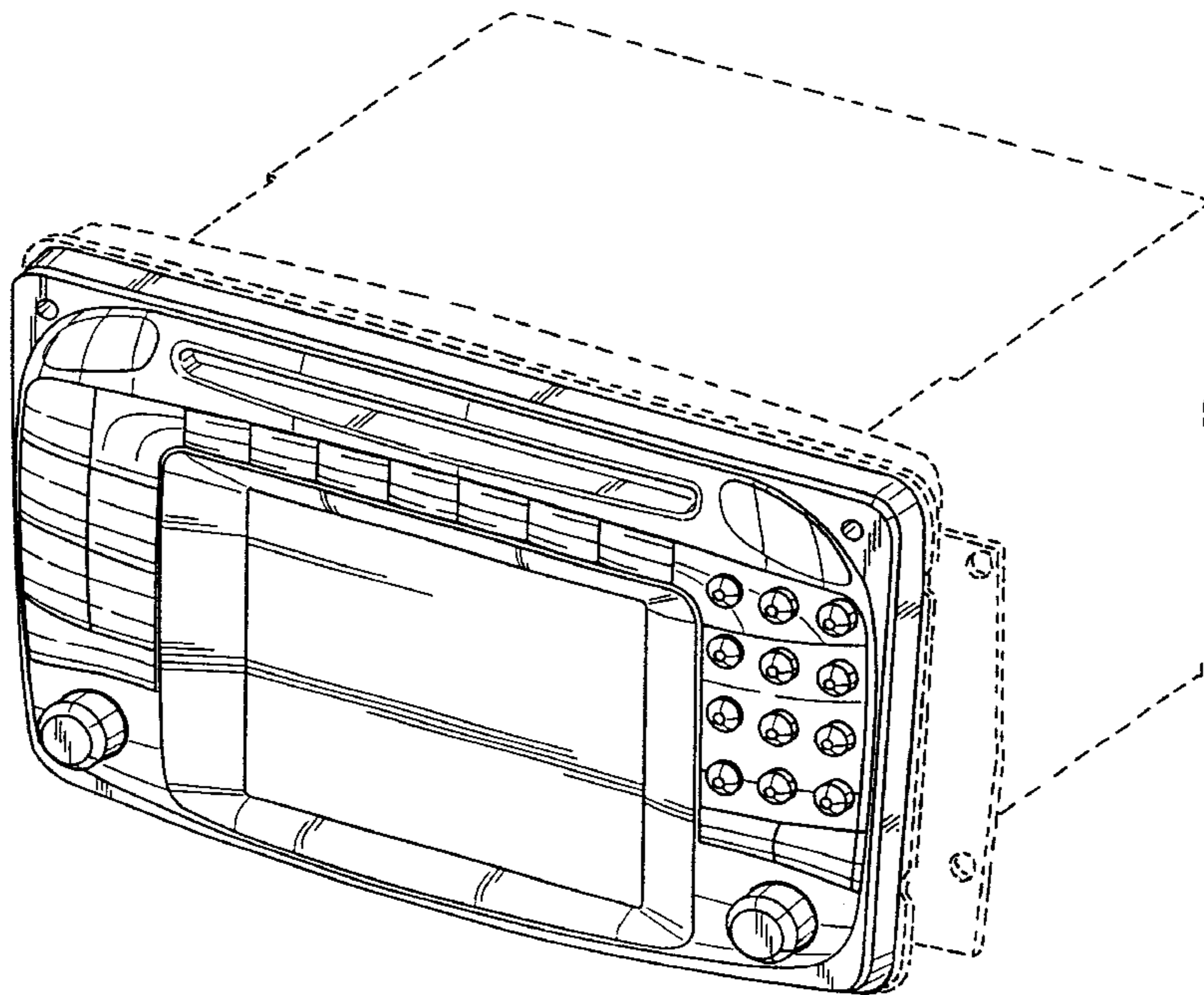
FIG. 4 is a bottom view of the instrument panel for an automobile radio and navigation system according to my novel design;

FIG. 5 is a top view of the instrument panel for an automobile radio and navigation system according to my novel design; and,

FIG. 6 is a left side view of the instrument panel for an automobile radio and navigation system according to my novel design.

The dash lines shown depict environment and are not part of my claimed design.

**1 Claim, 3 Drawing Sheets**



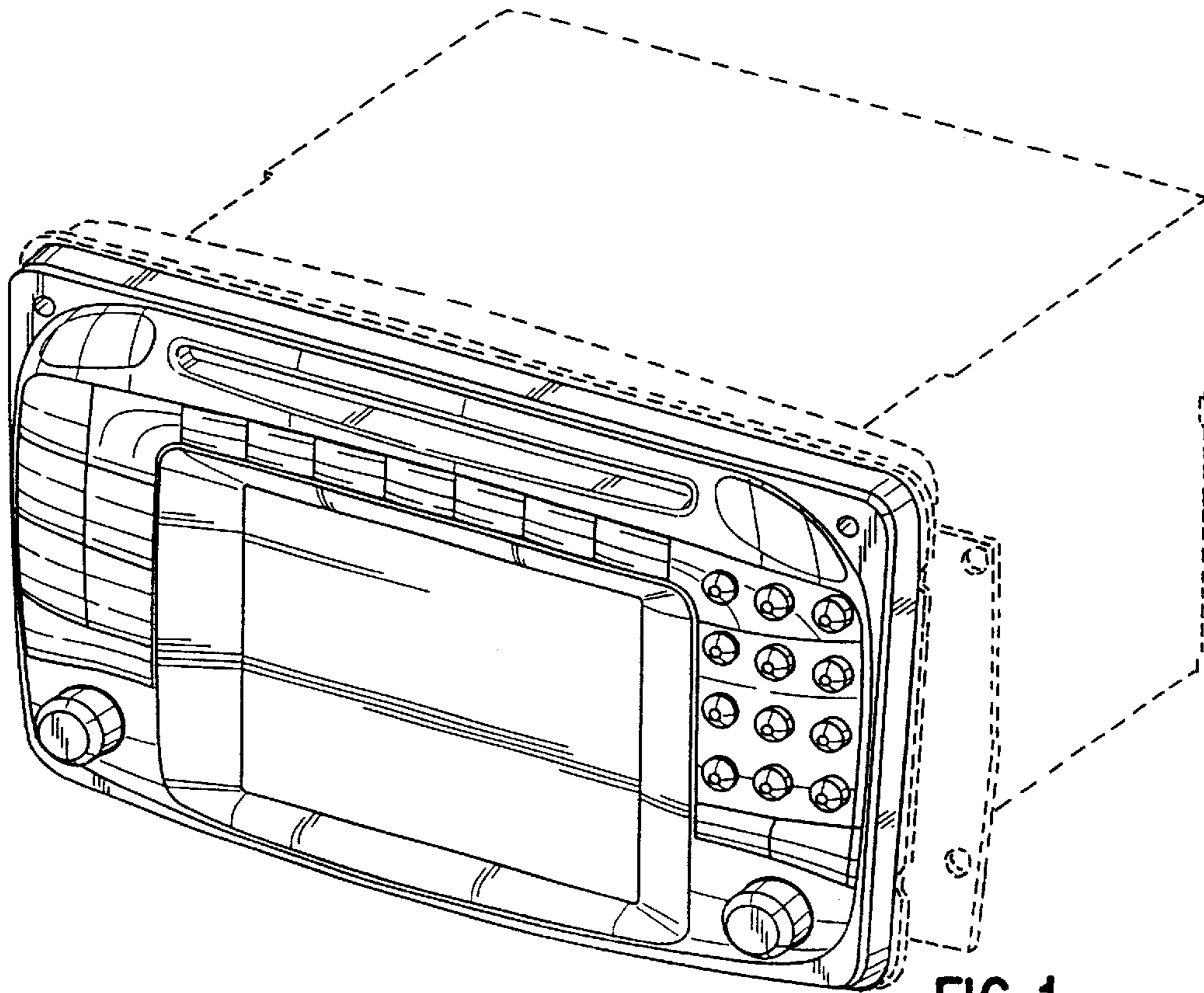


FIG. 1

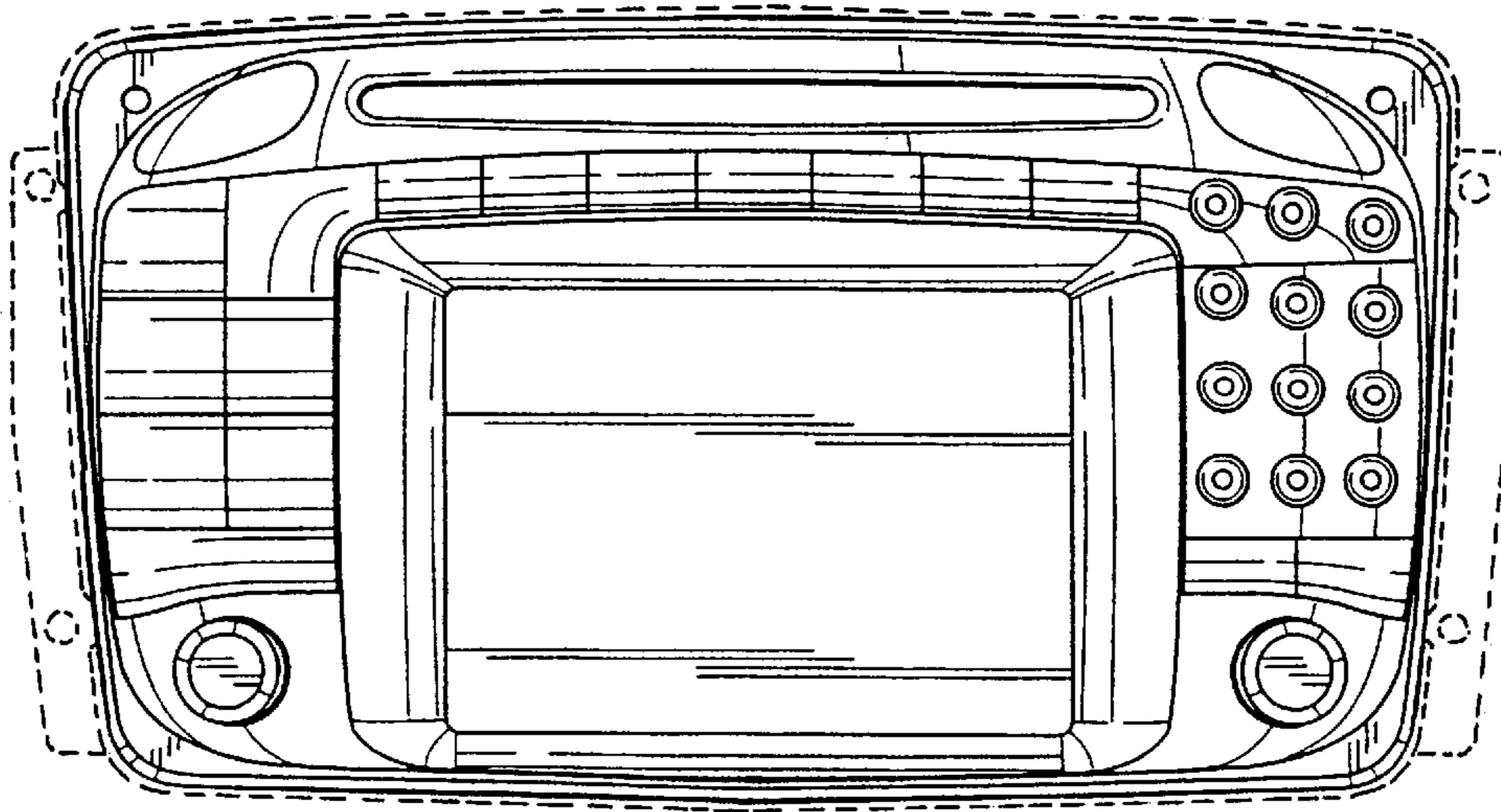


FIG. 2

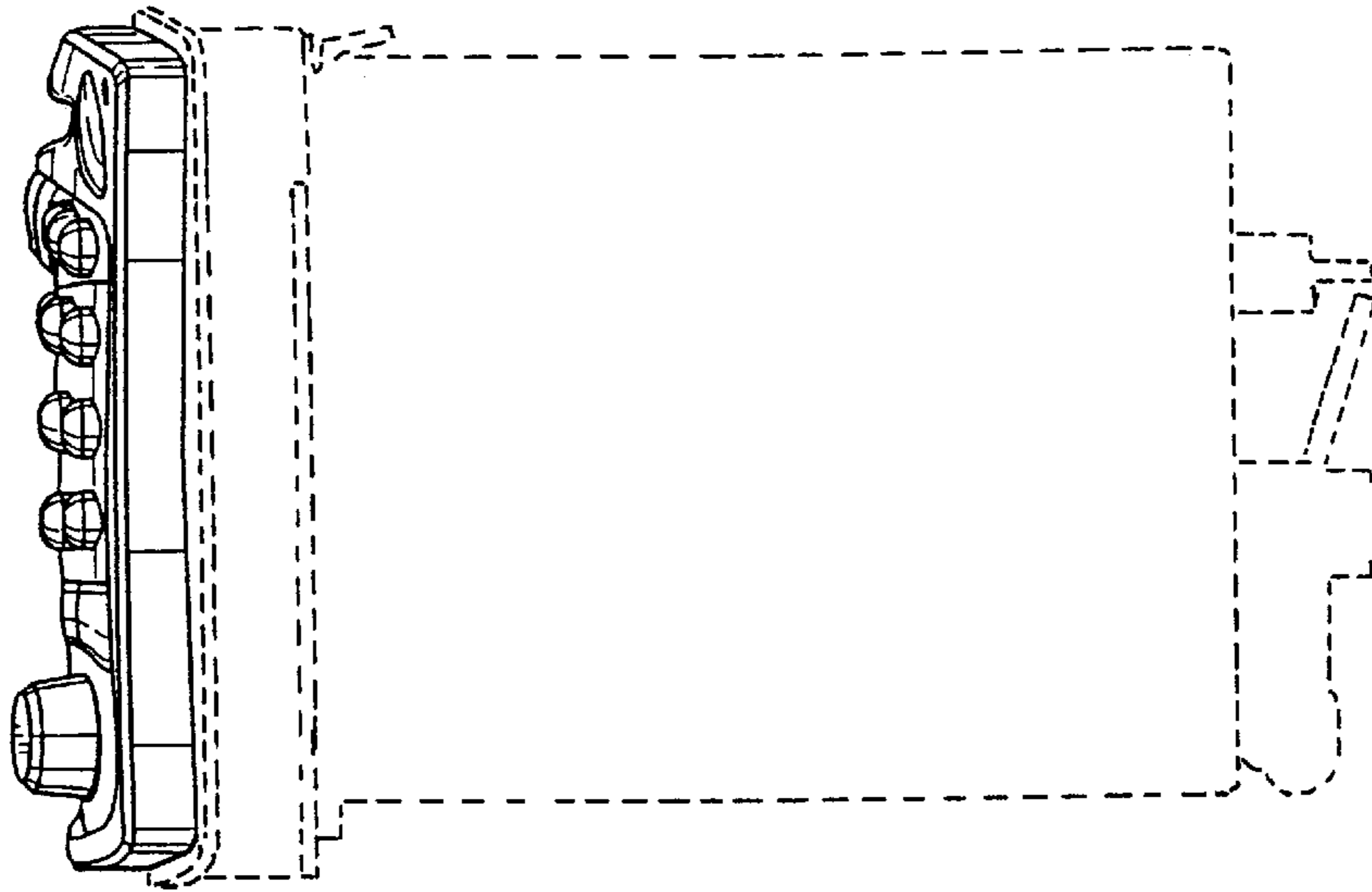


FIG. 3

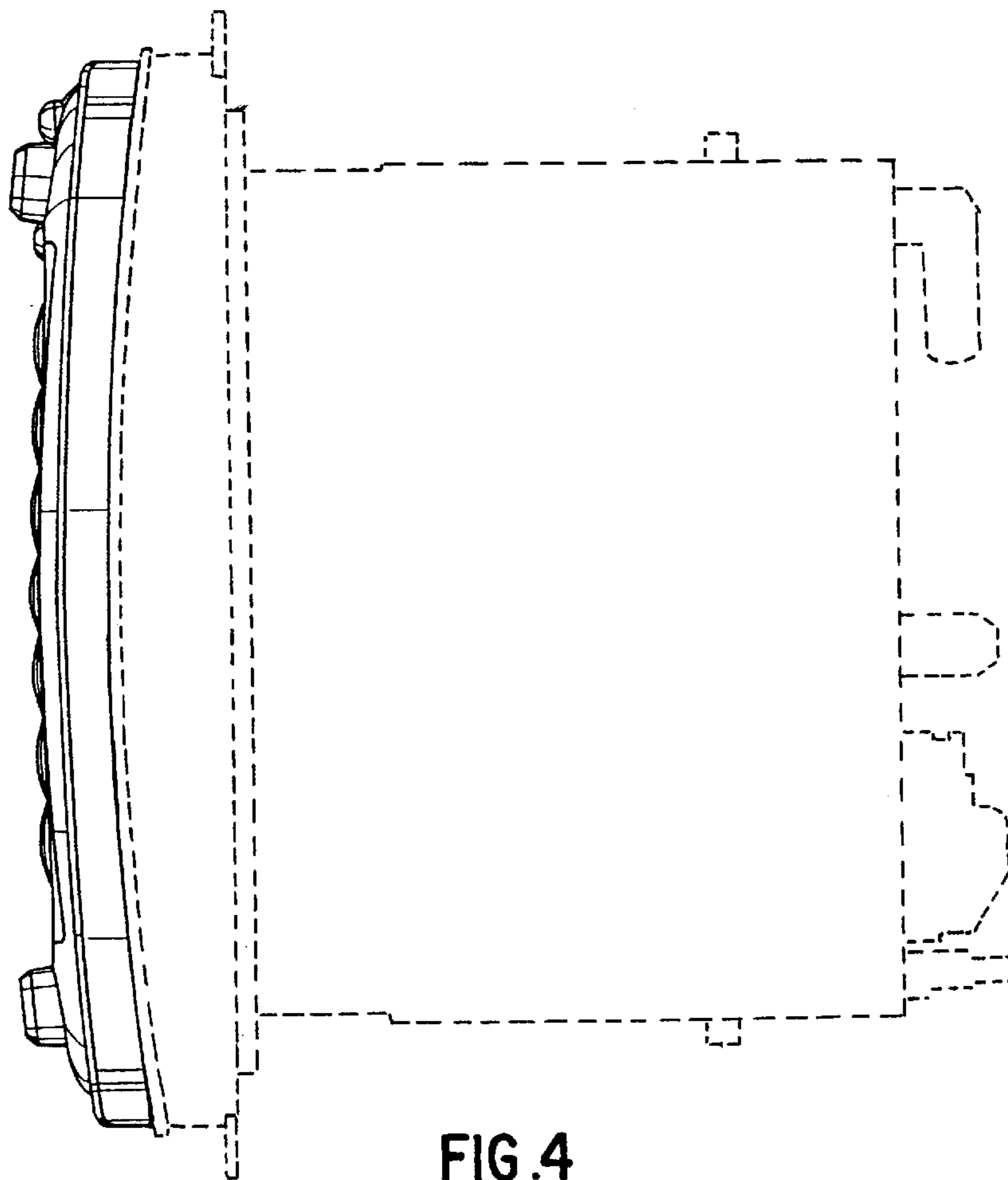


FIG. 4

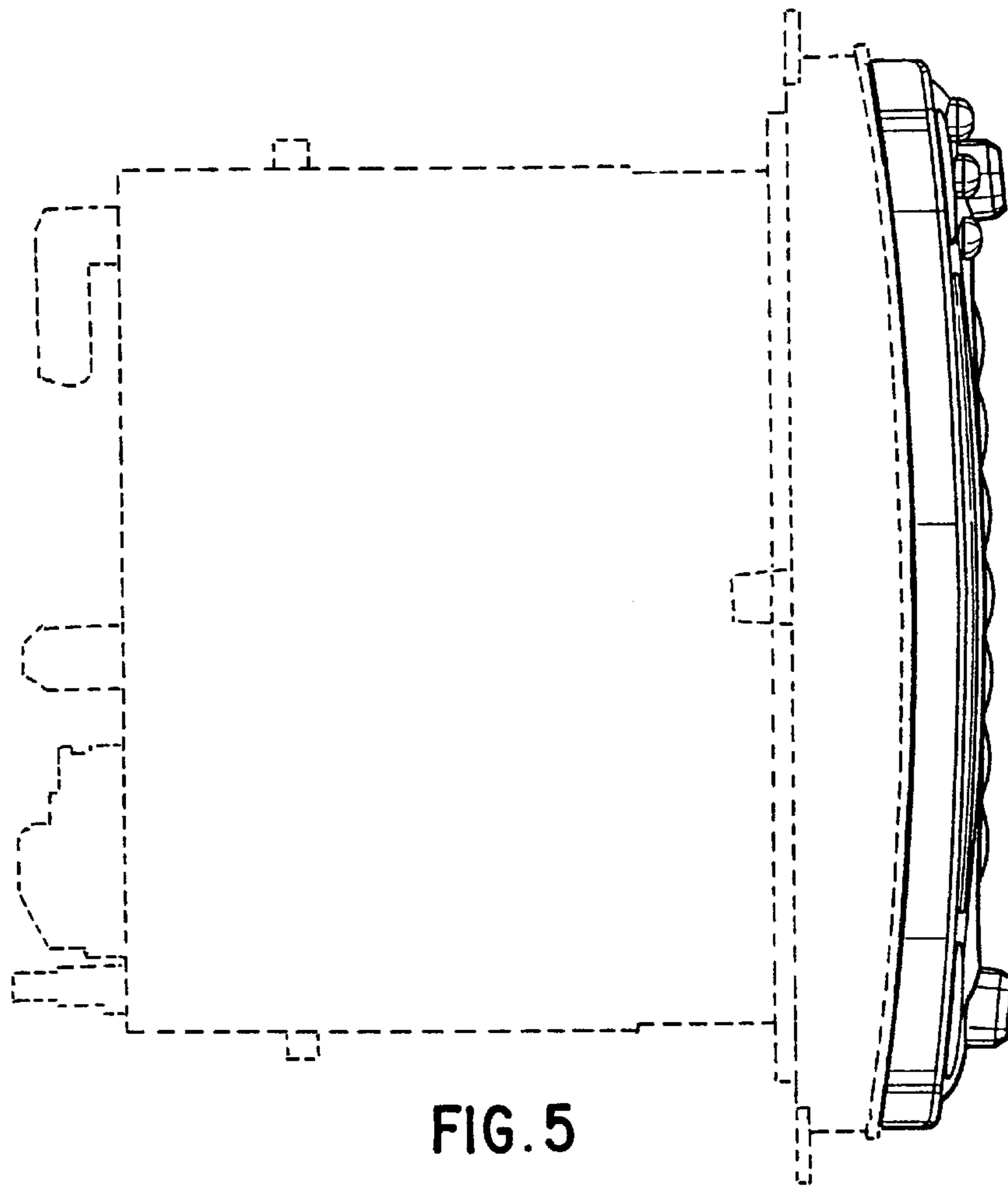


FIG. 5

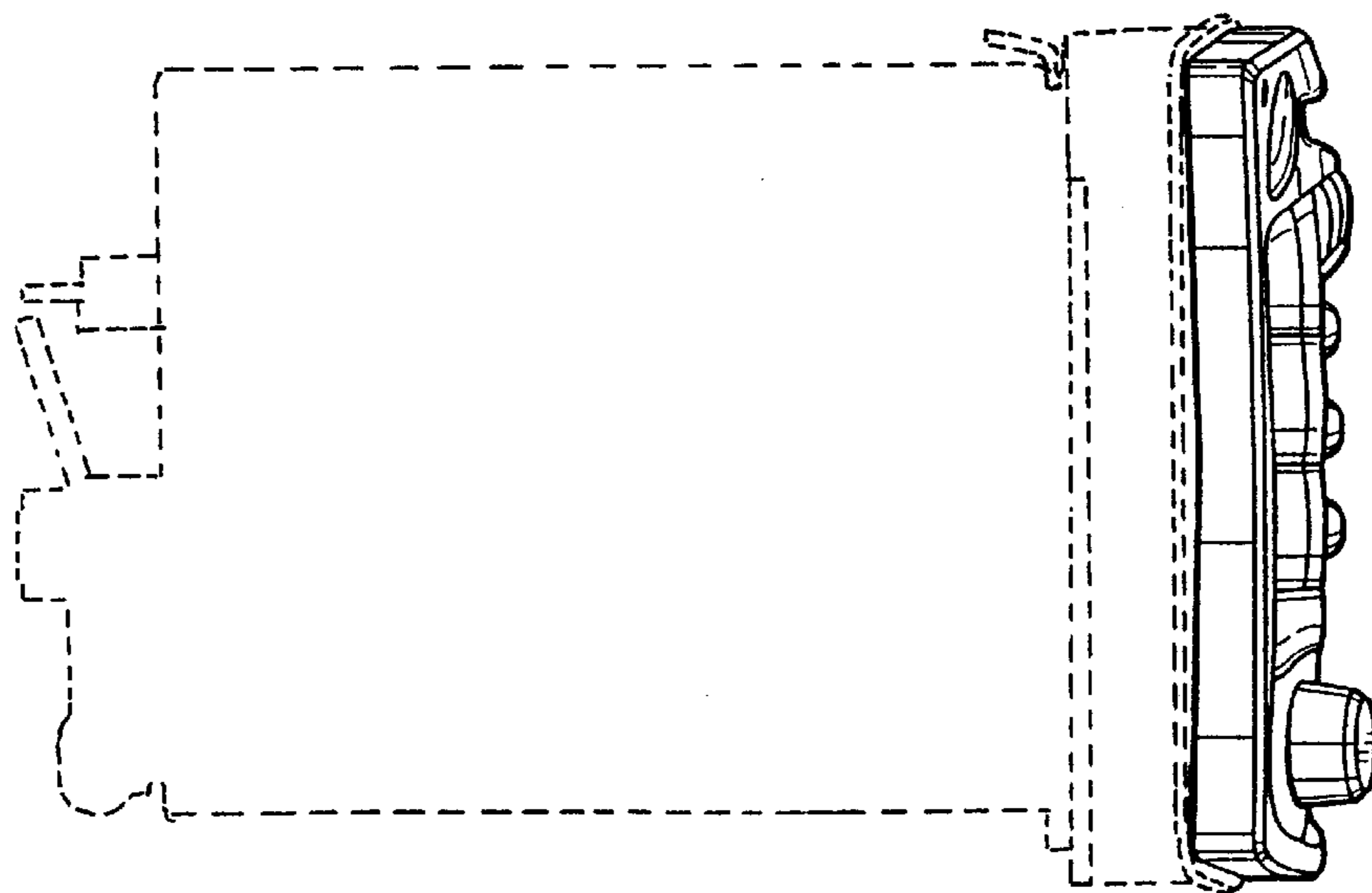


FIG. 6