



US00D440923S

(12) **United States Design Patent**
Beigel et al.

(10) **Patent No.:** **US D440,923 S**

(45) **Date of Patent:** **** Apr. 24, 2001**

(54) **SUNSHADE AND A MIRROR OF A TRUCK VEHICLE**

(75) Inventors: **David J. Beigel**, Kettering, OH (US);
Larry N. Reynard, Fort Wayne, IN (US)

(73) Assignee: **Navistar International Transportation Corp.**, Chicago, IL (US)

(**) Term: **14 Years**

(21) Appl. No.: **29/114,087**

(22) Filed: **Nov. 17, 1999**

(51) **LOC (7) Cl.** **12-16**

(52) **U.S. Cl.** **D12/191**

(58) **Field of Search** D12/191, 187,
D12/188, 181-182; 296/97.1-97.12, 95.1,
91, 180.1; 180/68.6; 362/80.1; 160/370.21,
371, 105, 354, DIG. 3

(56) **References Cited**

U.S. PATENT DOCUMENTS

- D. 330,533 * 10/1992 Orth, Sr. et al. D12/191
- D. 343,158 * 1/1994 Thomas, Jr. et al. D12/191
- D. 348,295 * 6/1994 Artman D12/191
- D. 360,176 * 7/1995 Onopa D12/191
- D. 375,475 * 11/1996 Smiarowski D12/191

- D. 384,019 * 9/1997 Meryman et al. D12/191
- D. 388,755 * 1/1998 Hellhake et al. D12/191
- D. 403,999 * 1/1999 Lund D12/191
- D. 414,150 9/1999 Sutton et al. .

* cited by examiner

Primary Examiner—Stacia Cadmus

(74) *Attorney, Agent, or Firm*—Jeffrey P. Calfa; Dennis Kelly Sullivan; Gilberto Hernandez

(57) **CLAIM**

The ornamental design for a sunshade and a mirror of a truck vehicle, as shown and described.

DESCRIPTION

FIG. 1 is a perspective view of a sunshade and a mirror of a truck vehicle showing our new design;

FIG. 2 is a front view of the invention shown in FIG. 1; it may be understood that the broken lines on all figures are for illustrative purposes only and form no part of the claimed design;

FIG. 3 is a right side view of the invention shown in FIG. 1;

FIG. 4 is a left side view of the invention shown in FIG. 1;

FIG. 5 is a top view of the invention shown in FIG. 1;

FIG. 6 is a bottom view of the invention shown in FIG. 1; and,

FIG. 7 is a back view of a sunshade and a mirror of a truck vehicle showing my new design.

1 Claim, 3 Drawing Sheets

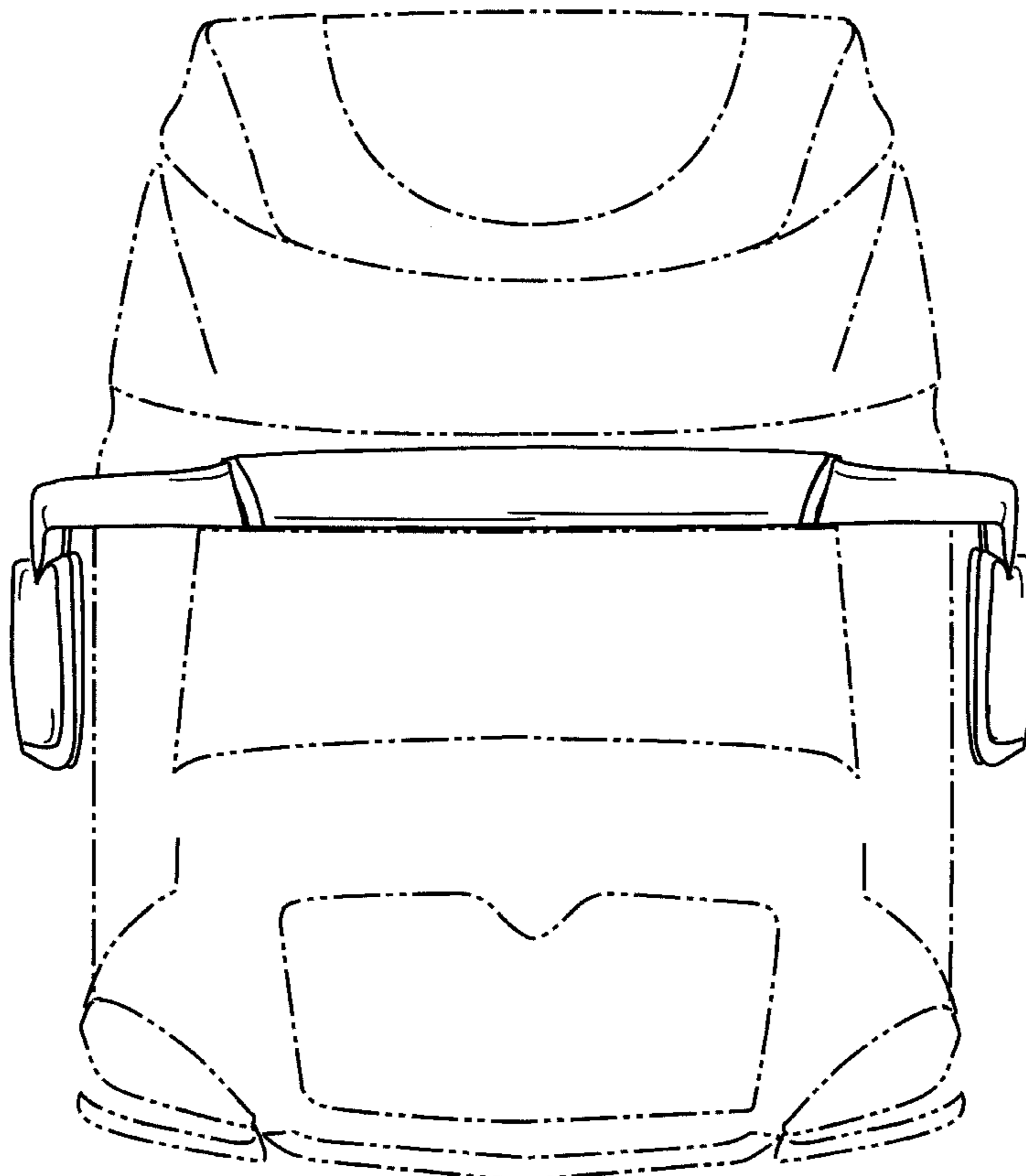


FIG. 1



FIG. 3

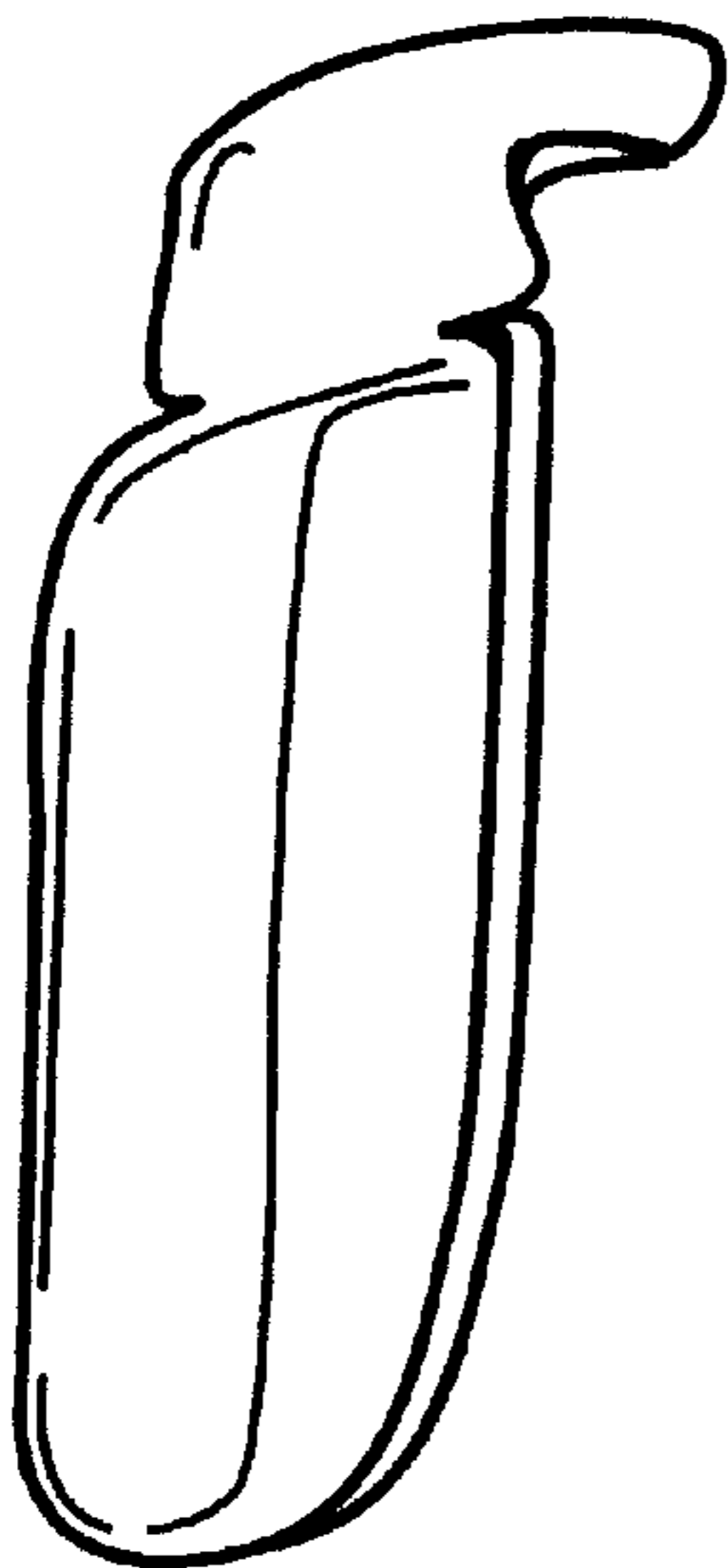


FIG. 4

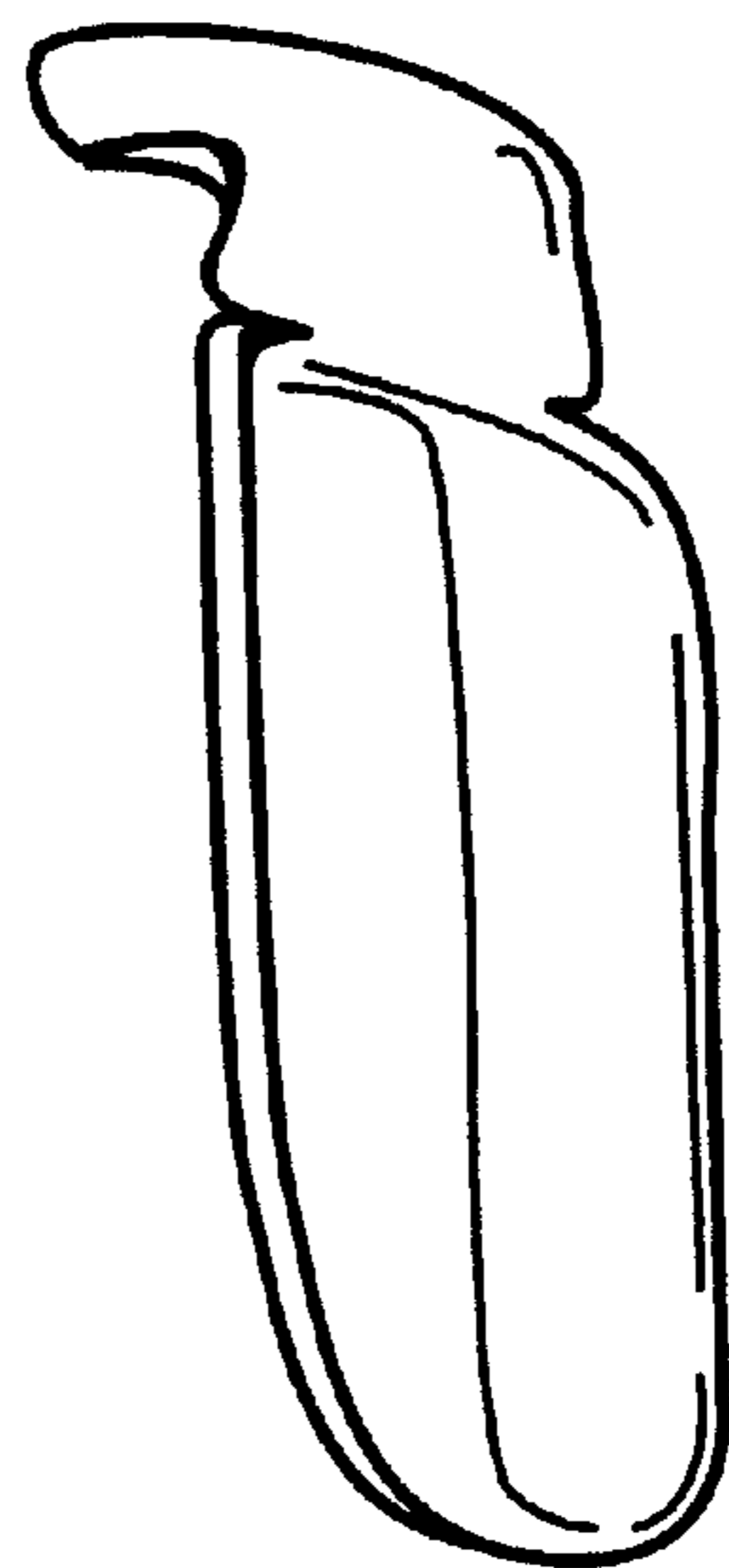


FIG. 2

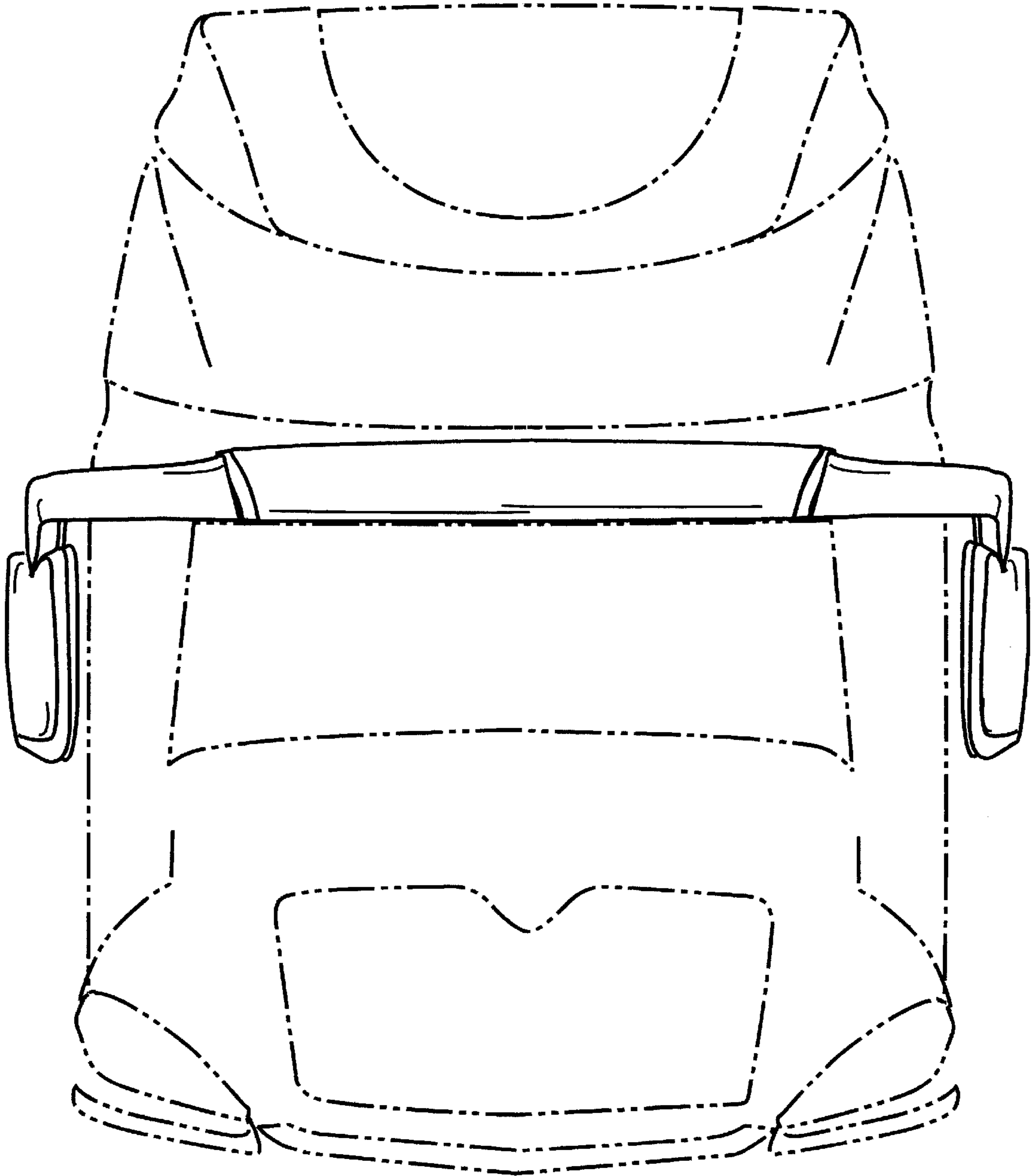


FIG. 5

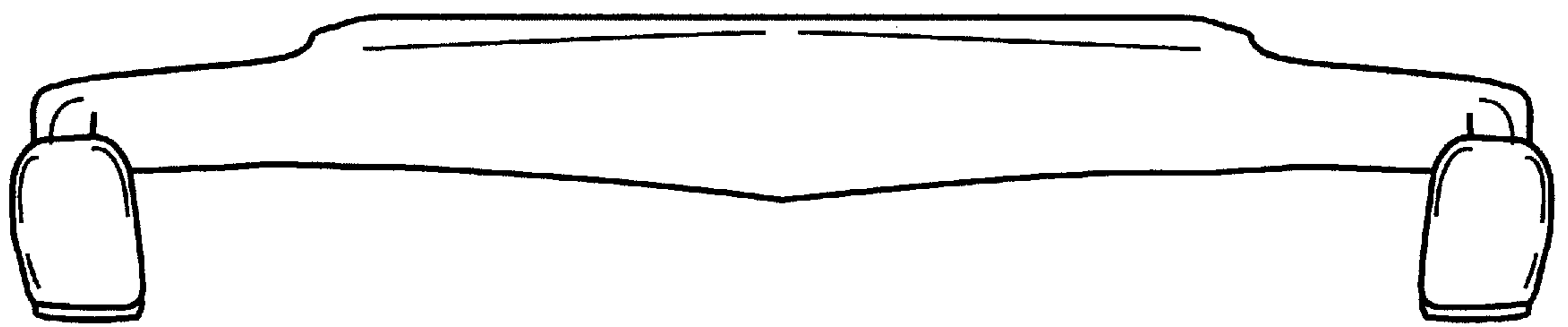


FIG. 6

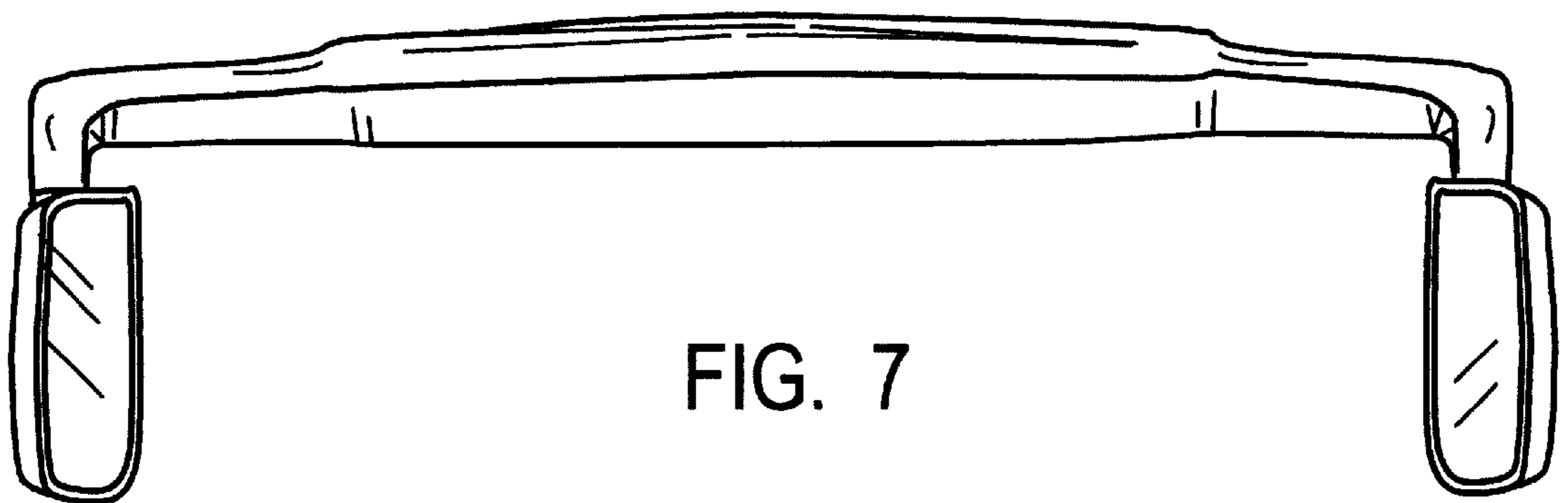


FIG. 7