



US00D440922S

(12) **United States Design Patent**
Evers

(10) **Patent No.:** **US D440,922 S**

(45) **Date of Patent:** **** Apr. 24, 2001**

(54) **COMBINATION VEHICLE SIDE MIRROR WITH DISTANCE GAUGE**

(76) **Inventor:** **Phyllis M Evers**, 32 Chelsea Rd., Jackson, NJ (US) 08527

(**) **Term:** **14 Years**

(21) **Appl. No.:** **29/122,121**

(22) **Filed:** **Apr. 20, 2000**

(51) **LOC (7) Cl.** **12-16**

(52) **U.S. Cl.** **D12/187**

(58) **Field of Search** D12/187-189;
359/864-881, 842, 846, 850, 855; 340/435,
436; 367/99, 107-108, 118, 909

(56) **References Cited**

U.S. PATENT DOCUMENTS

D. 228,890	*	10/1973	Kolb	D12/187
D. 297,926	*	10/1988	Kesler	D12/187
D. 375,712		11/1996	Bialowas et al.	.	
D. 379,658	*	9/1998	Kim et al.	D12/187
D. 402,604	*	12/1998	Morris	D12/187
D. 403,286	*	12/1998	Kim et al.	D12/187
D. 403,287	*	12/1998	Kim et al.	D12/187
D. 409,127	*	5/1999	Kim et al.	D12/187
3,146,296		8/1964	Fischer	.	
3,170,985		2/1965	Katulich	.	
3,389,952	*	6/1968	Tobin, Jr.	359/864
3,603,929	*	9/1971	Drysdale	340/435

3,628,851	*	12/1971	Robertson	359/868
4,159,866	*	7/1979	Wunsch et al.	359/876
4,477,149	*	10/1984	Crespy	359/876
4,648,693	*	3/1987	Losch	359/876
4,917,845		4/1990	Baldwin, Sr.	.	
4,943,796	*	7/1990	Lee	340/435
4,974,215	*	11/1990	Bolz et al.	367/108
5,173,881	*	12/1992	Sindle	367/101
5,303,205		4/1994	Gauthier et al.	.	
5,721,646		2/1998	Catlin et al.	.	

* cited by examiner

Primary Examiner—Cathy Anne MacCormac

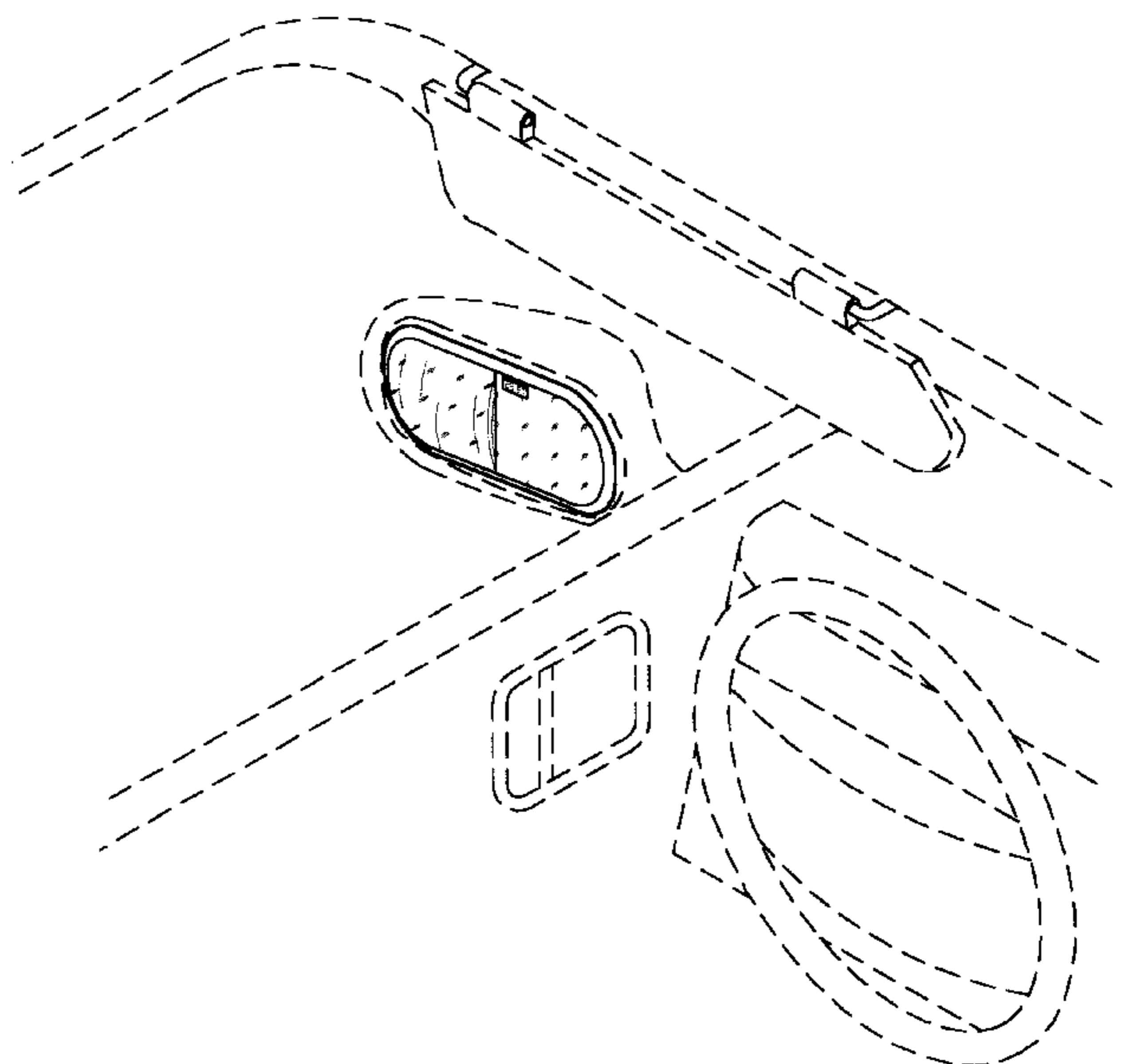
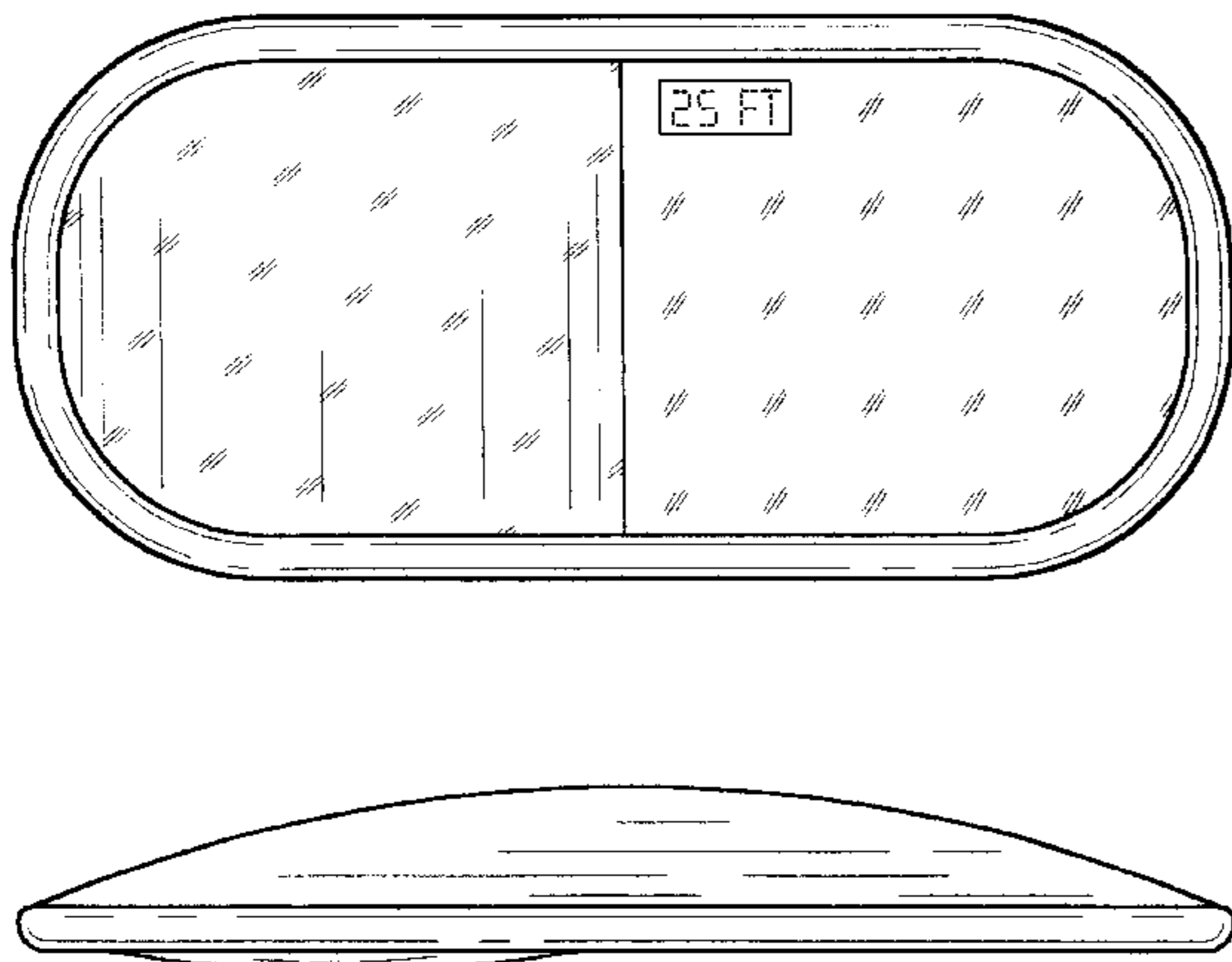
(57) **CLAIM**

The ornamental design for a combination vehicle side mirror with distance gauge, as shown and described.

DESCRIPTION

FIG. 1 is a front elevational view of a combination vehicle side mirror with distance gauge of the present invention; FIG. 2 is a rear elevational view thereof; FIG. 3 is a right side elevational view thereof; FIG. 4 is a top plan view thereof, the bottom being a mirror image; and, FIG. 5 is a perspective view thereof. The broken lines showing of a car interior in FIG. 5 and numbers in FIGS. 2 and 5 are for illustrative purposes only and form no part of the claimed design.

1 Claim, 2 Drawing Sheets



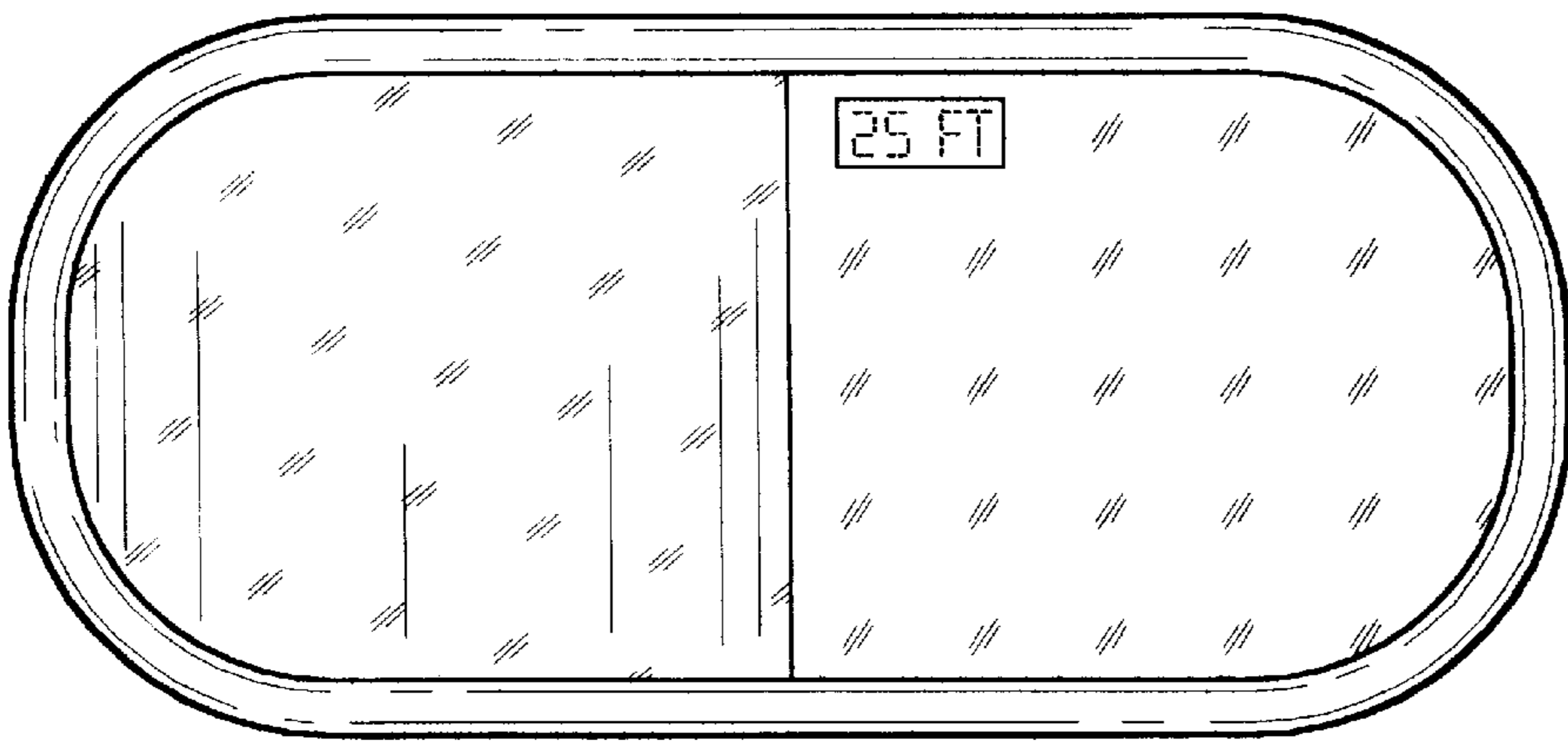


Fig. 1

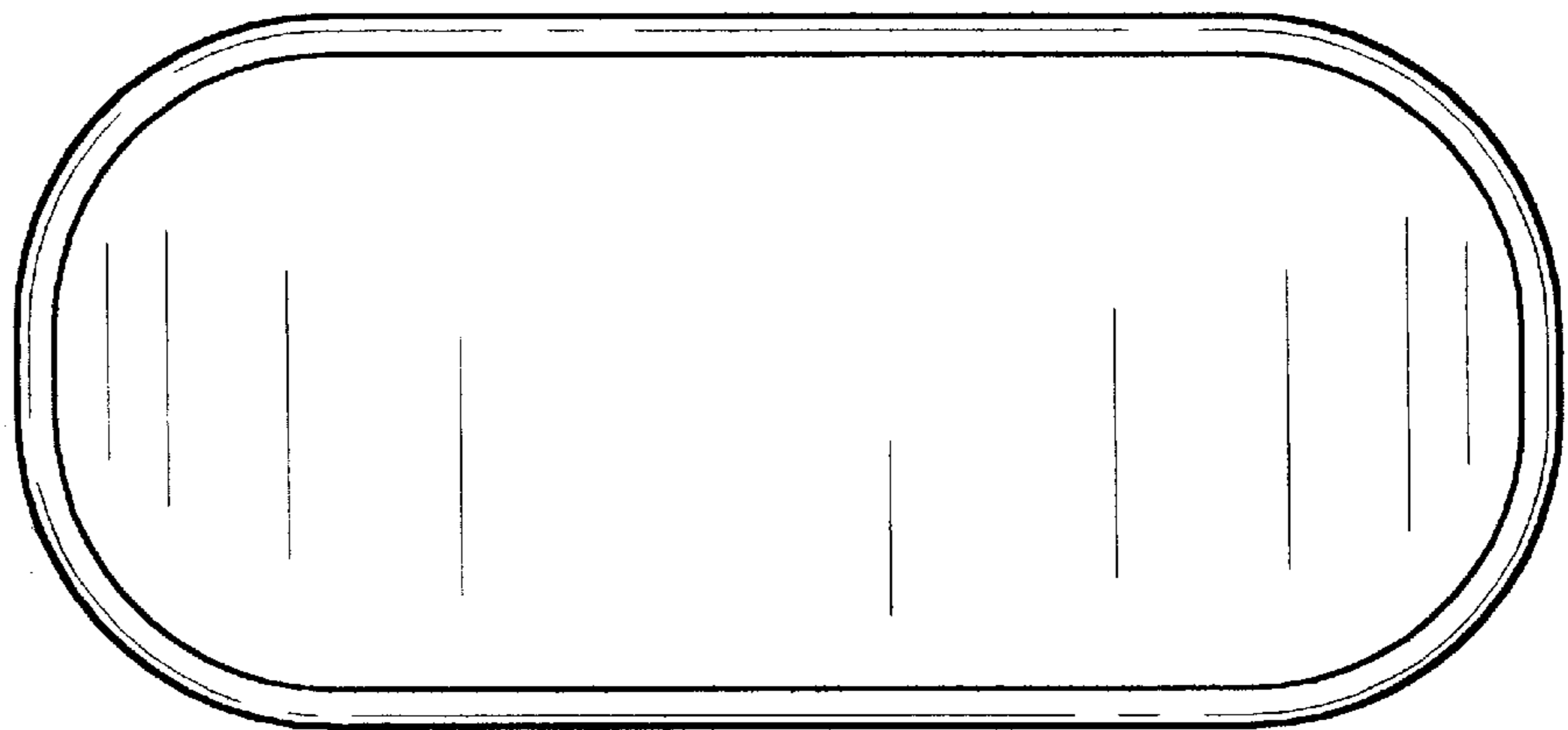


Fig. 2

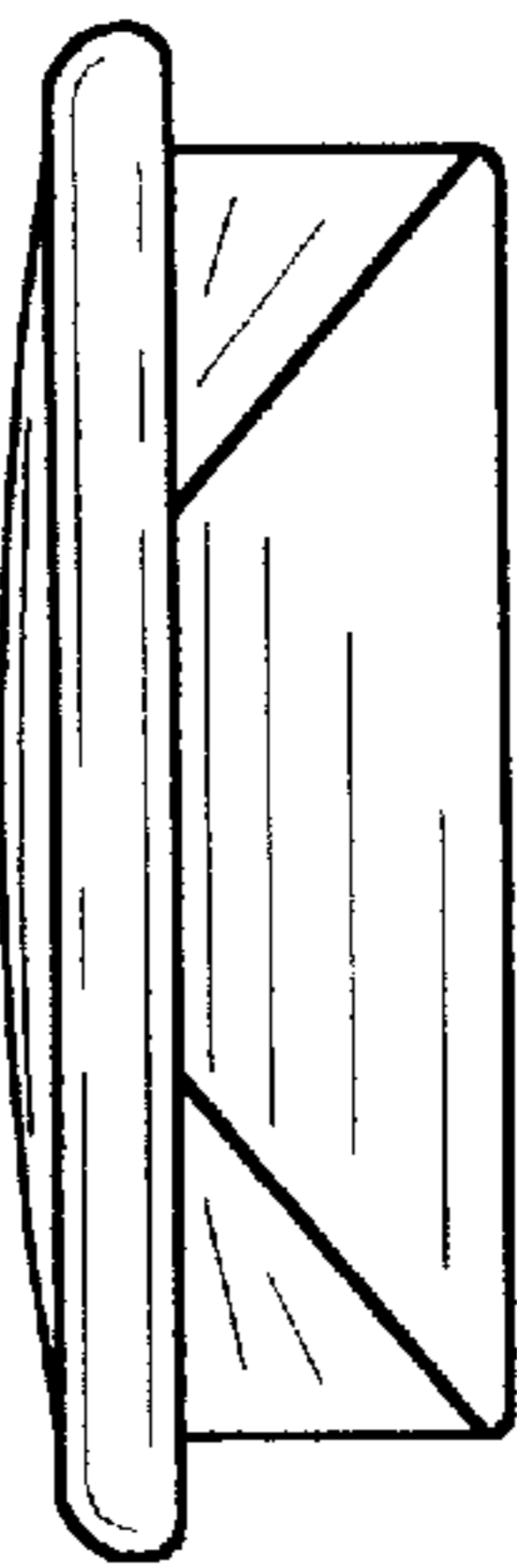


Fig. 3

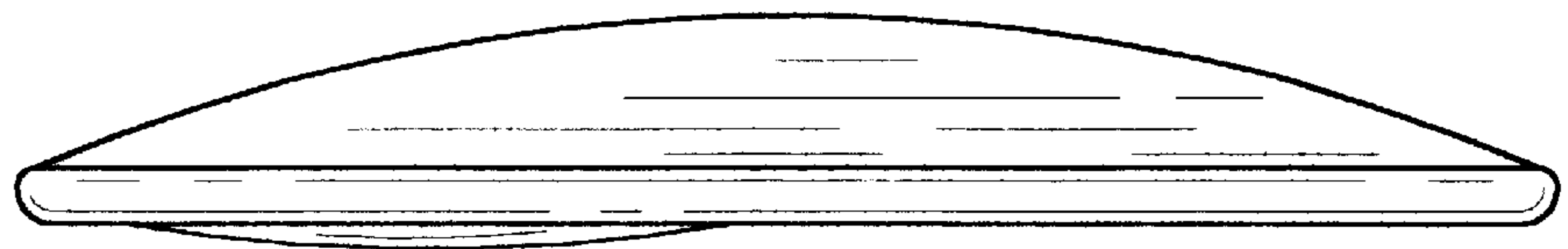


Fig. 4

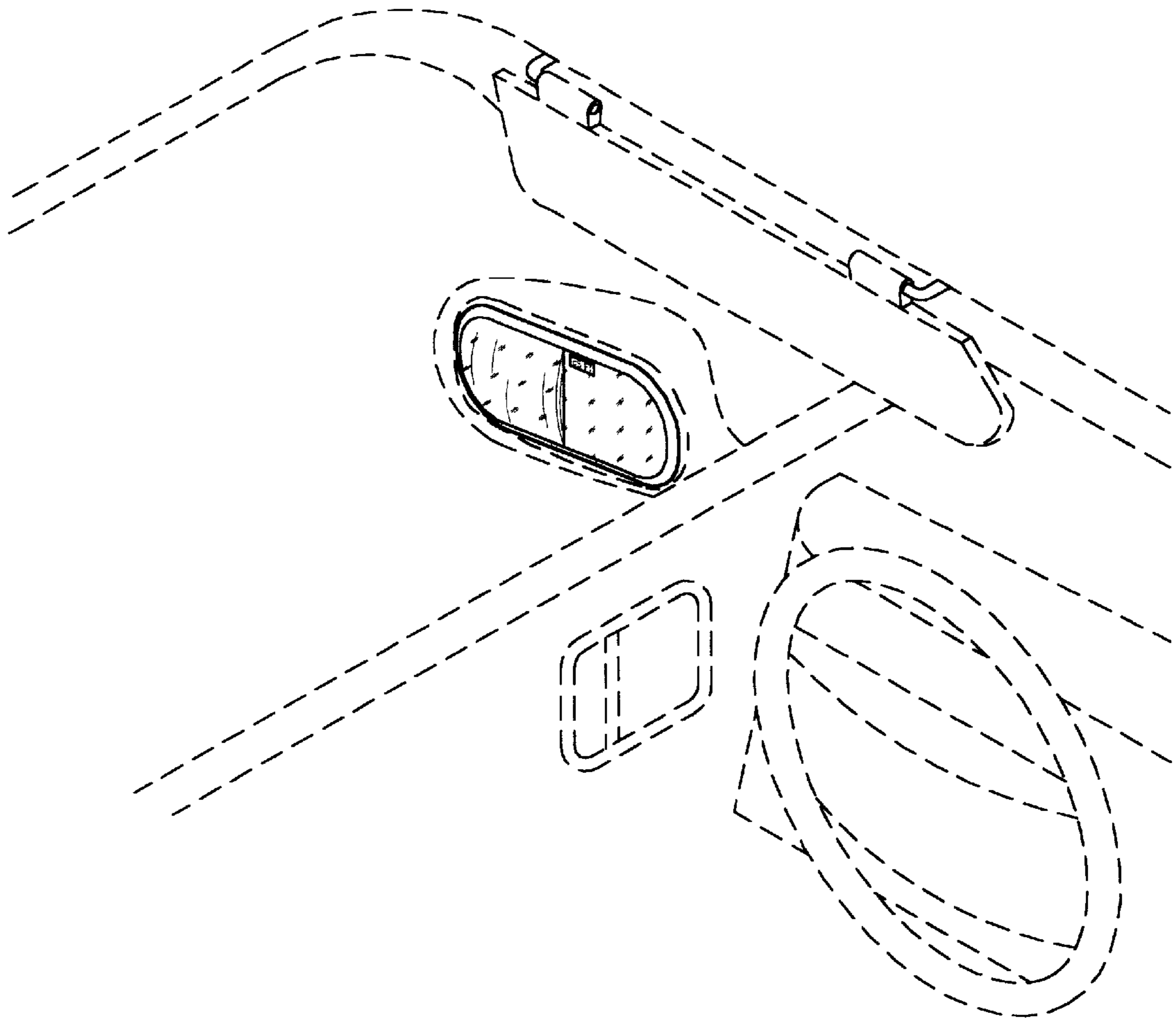


Fig. 5