



US00D440910S

(12) **United States Design Patent**  
**Blackburn, Jr.**

(10) **Patent No.:** **US D440,910 S**

(45) **Date of Patent:** **\*\* Apr. 24, 2001**

(54) **RADIO INSTALLATION MOUNT FOR A MOTORCYCLE**

4,756,454 7/1988 Villanueva .

\* cited by examiner

(76) Inventor: **Michael J. Blackburn, Jr.**, 694  
Lakeview Dr., Manteno, IL (US) 60950

*Primary Examiner*—Alan P. Douglas

*Assistant Examiner*—Linda Brooks

(\*\*) Term: **14 Years**

(74) *Attorney, Agent, or Firm*—Richard C. Litman

(21) Appl. No.: **29/129,651**

(57) **CLAIM**

(22) Filed: **Sep. 20, 2000**

The ornamental design for a radio installation mount for a motorcycle, as shown and described.

(51) **LOC (7) Cl.** ..... **12-11**

**DESCRIPTION**

(52) **U.S. Cl.** ..... **D12/114; D12/192**

(58) **Field of Search** ..... D12/110, 114,  
D12/192; D14/157; 180/219, 90; 280/288.4;  
224/413, 420; 312/7.1

FIG. 1 is an environmental perspective view of a radio installation mount for a motorcycle showing my new design; FIG. 2 is an enlarged front elevational view thereof; FIG. 3 is an enlarged rear elevational view thereof; FIG. 4 is an enlarged right side elevational view with the left side being a mirror image thereof; FIG. 5 is an enlarged top view thereof; and, FIG. 6 is an enlarged bottom view thereof.

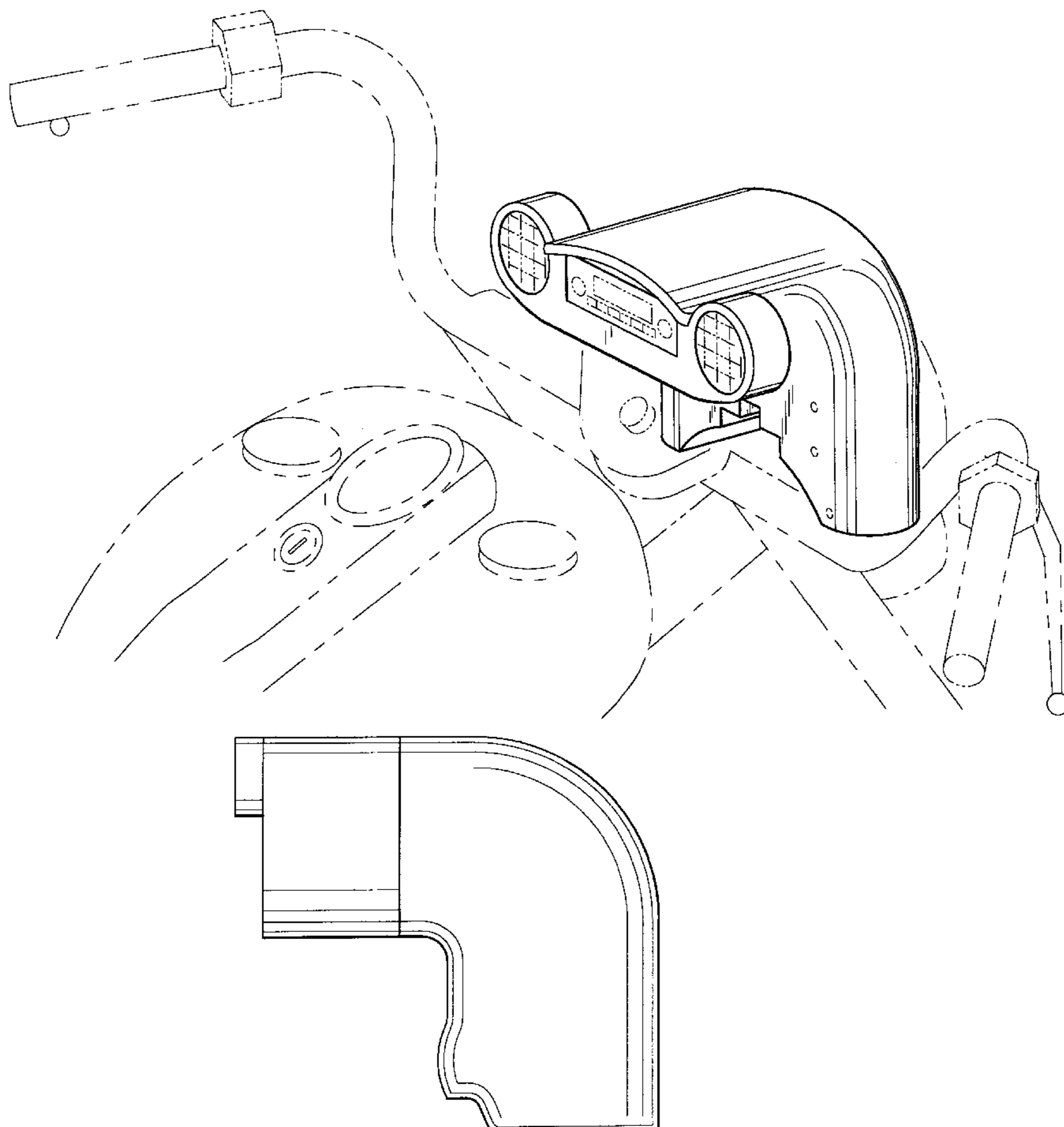
(56) **References Cited**

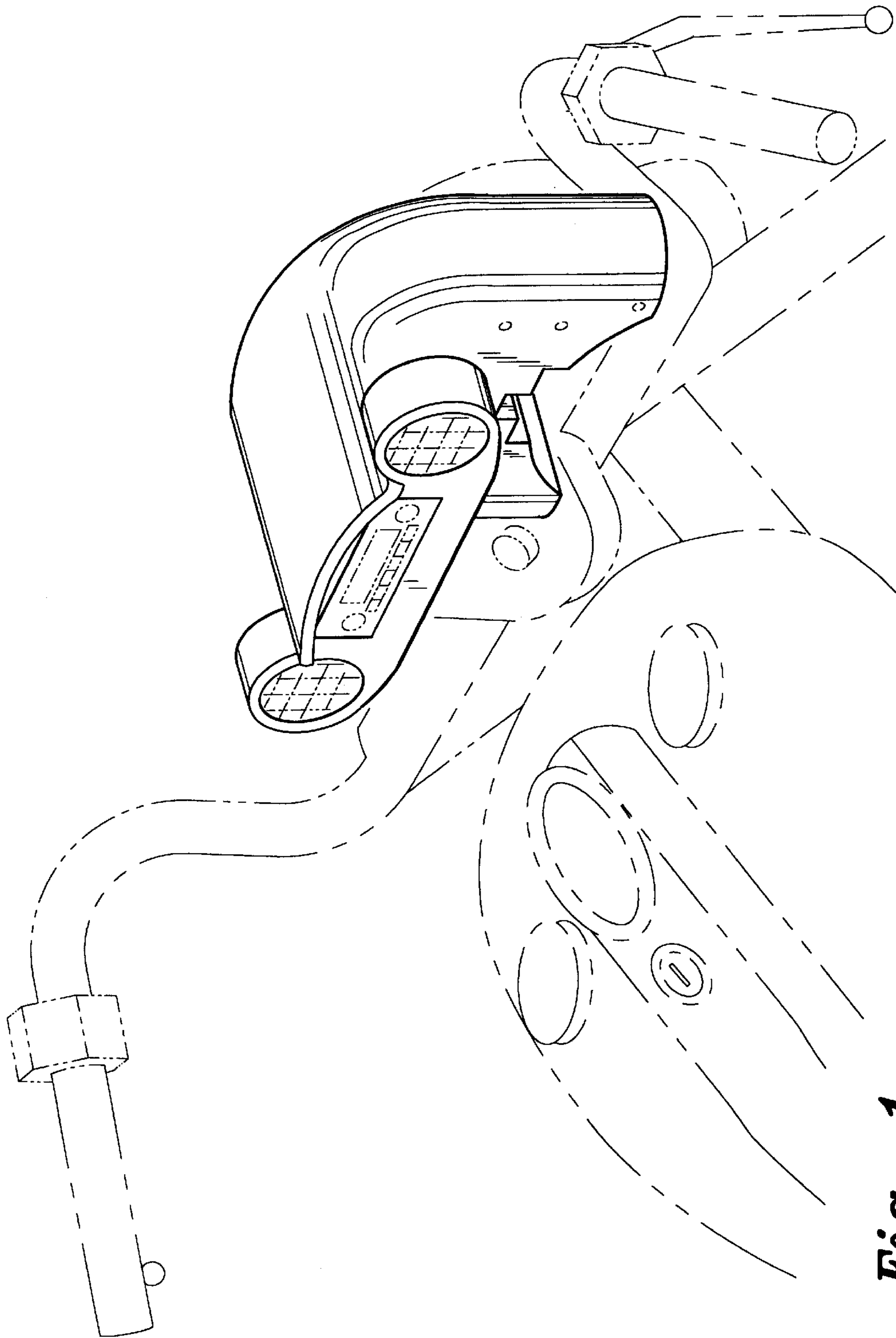
**U.S. PATENT DOCUMENTS**

D. 257,967	*	1/1981	Hoese	.....	D12/114
D. 268,403		3/1983	Masterson	.	
D. 275,382	*	9/1984	Hoese	.....	D12/114
D. 345,534		3/1994	Abboud et al.	.	
4,436,350		3/1984	Jolin	.	
4,445,228		4/1984	Bruni	.	

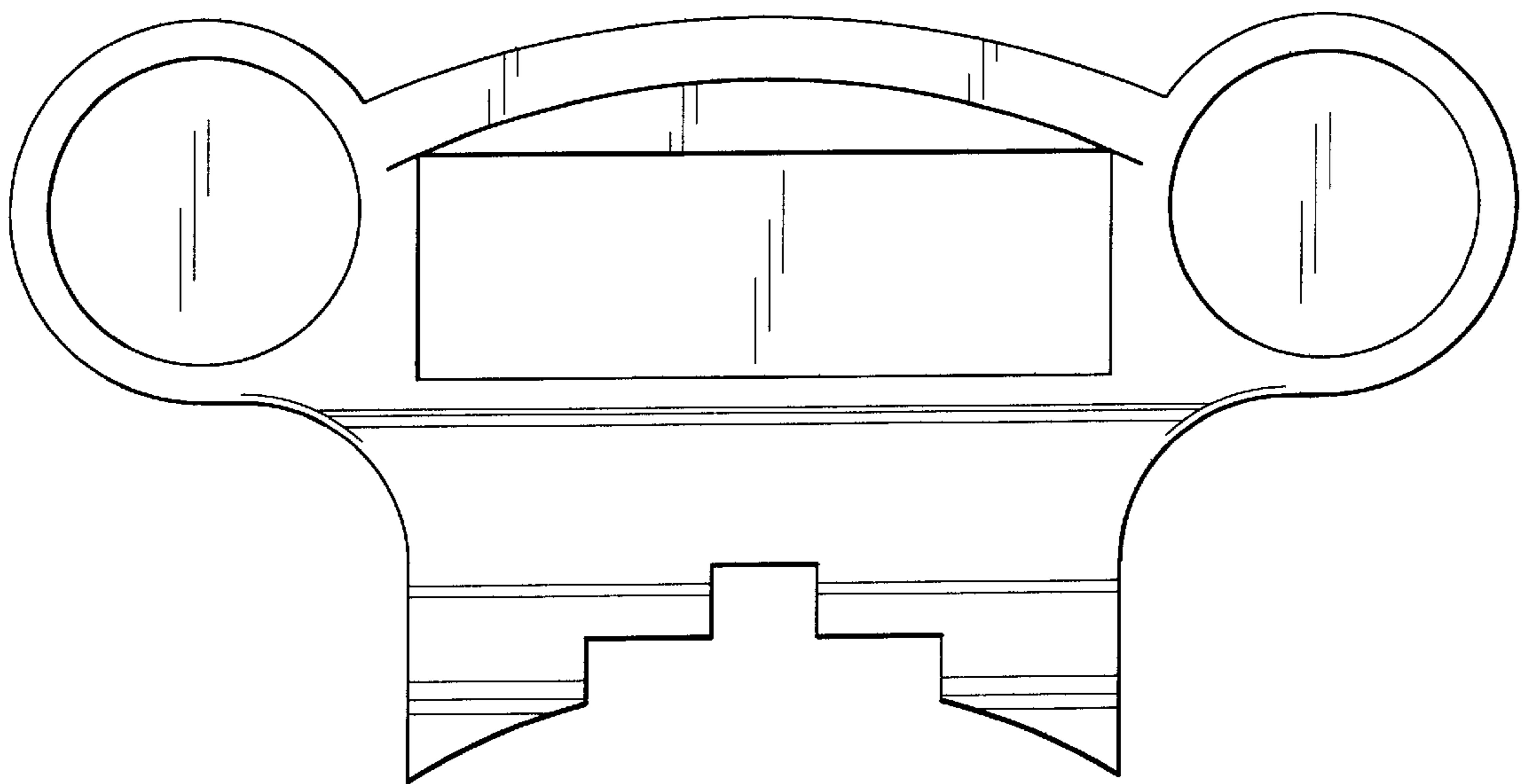
The broken line showing of the motorcycle, the mounting holes, the radio, and the speakers in FIG. 1 is for illustrative purposes only and forms no part of the claimed design.

**1 Claim, 6 Drawing Sheets**

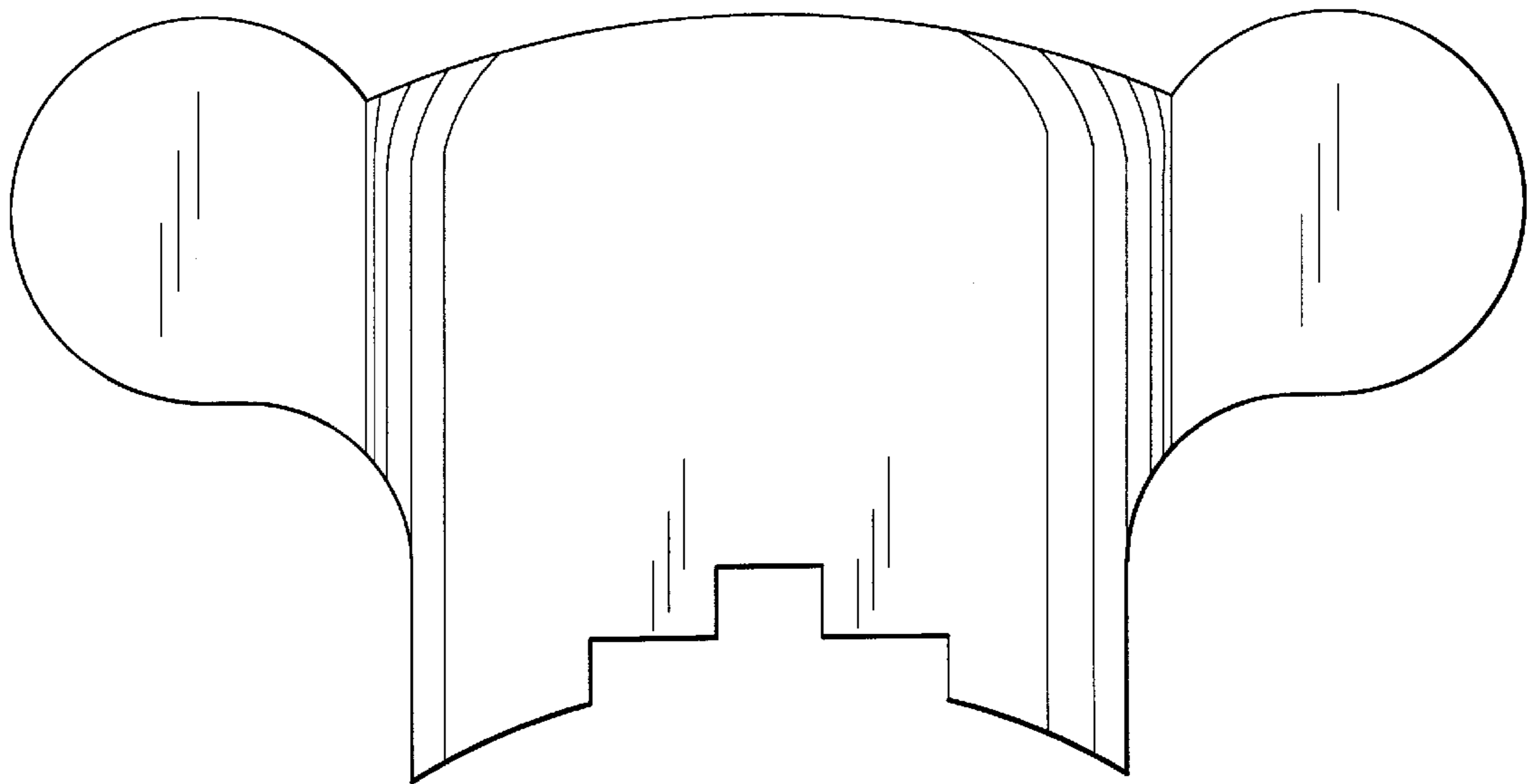




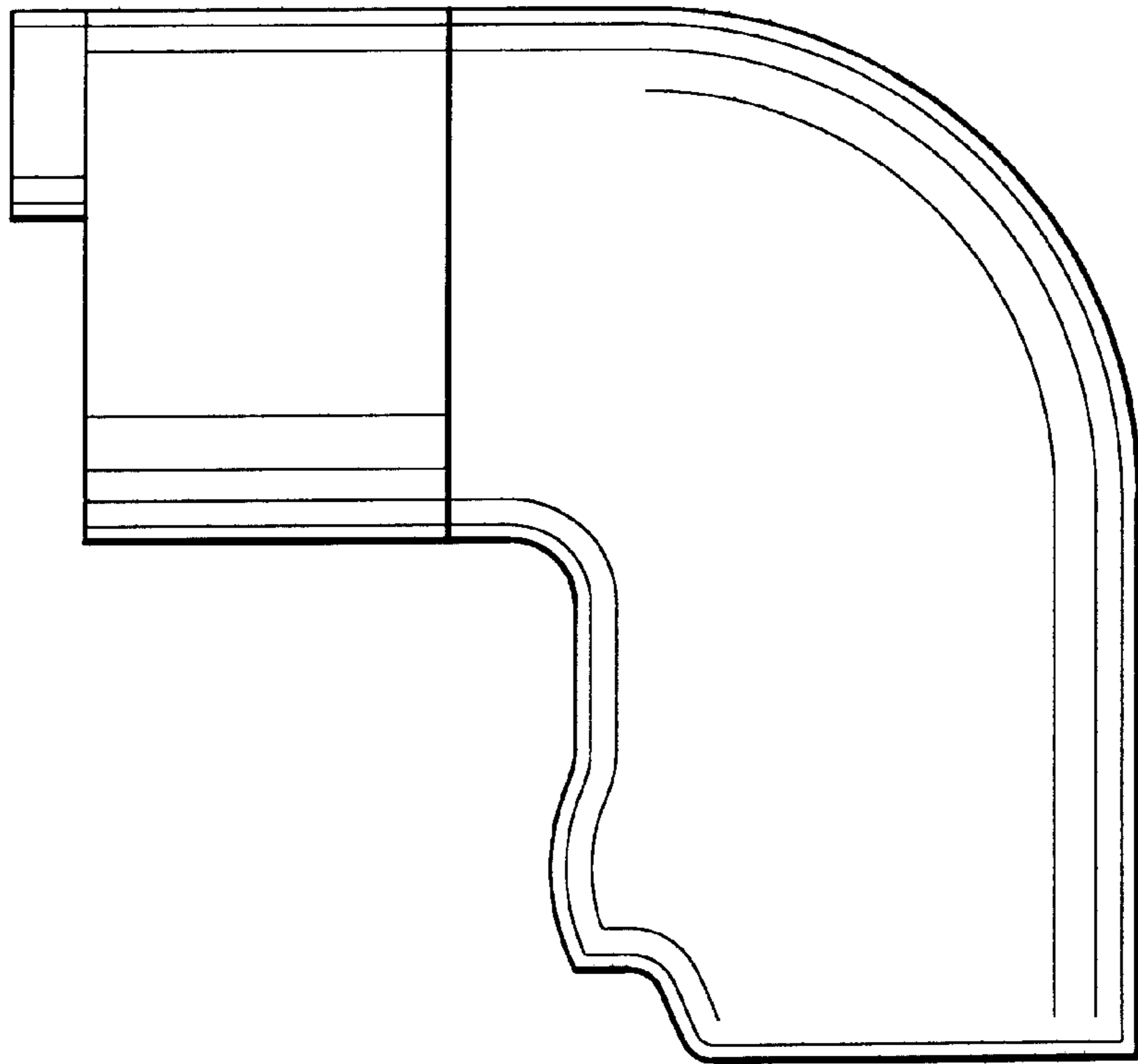
**Fig. 1**



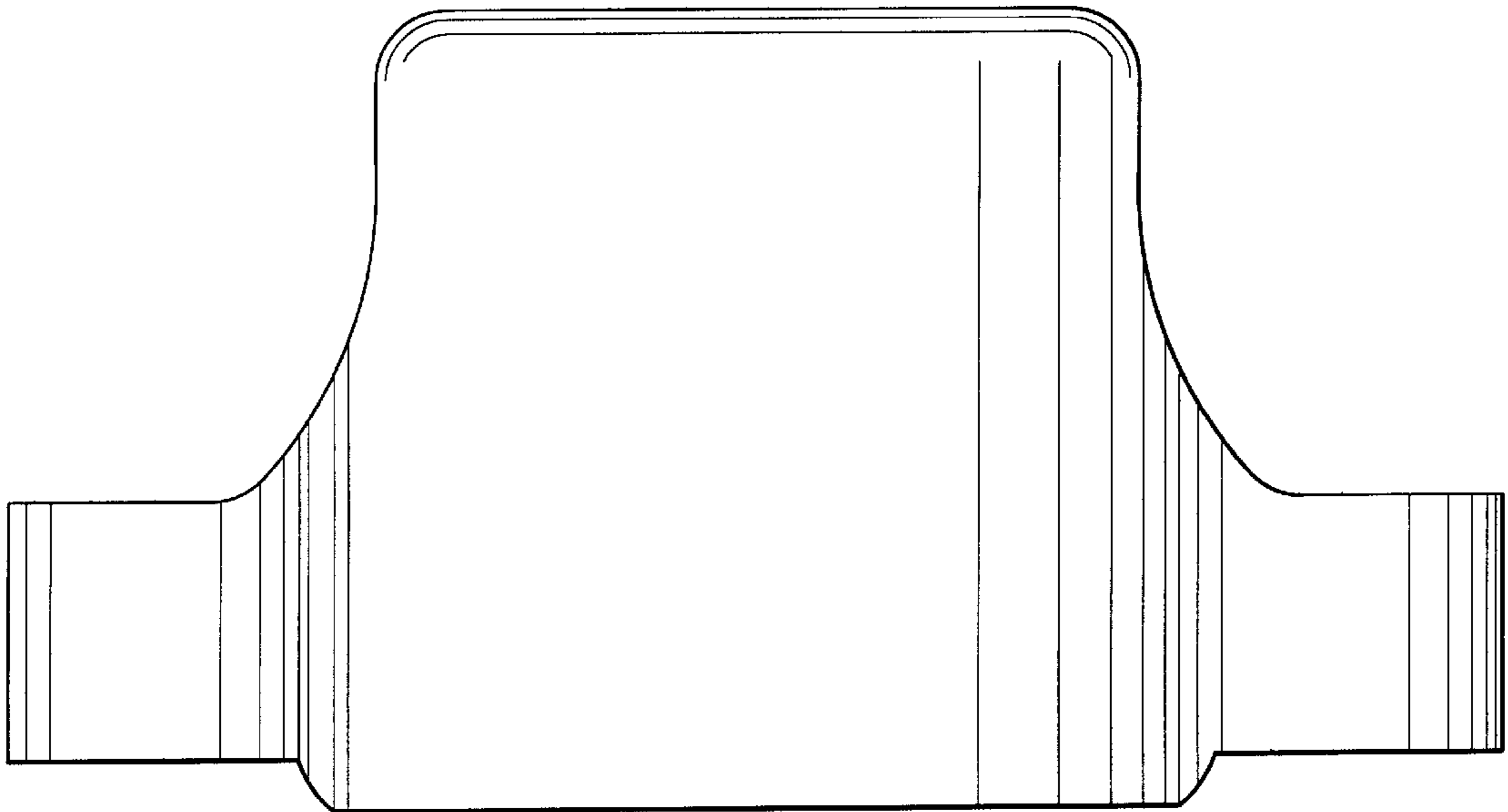
*Fig. 2*



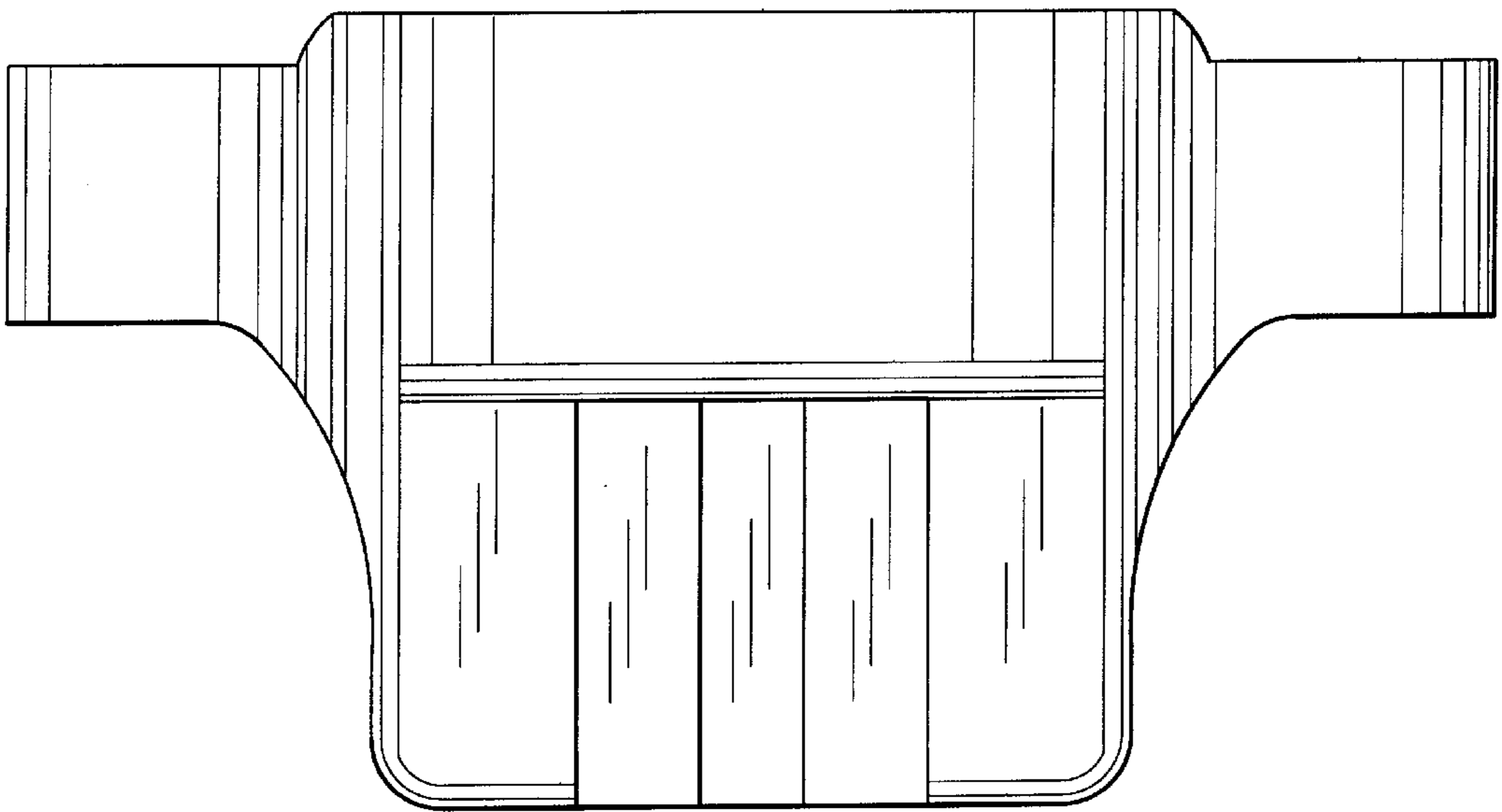
*Fig. 3*



*Fig. 4*



*Fig. 5*



*Fig. 6*