



US00D440909S

(12) **United States Design Patent**
Balescu

(10) **Patent No.:** **US D440,909 S**

(45) **Date of Patent:** **** Apr. 24, 2001**

(54) **VEHICLE**

D. 426,493 * 6/2000 Mertins et al. D12/93
D. 430,067 * 8/2000 Hosoni D12/93

(75) Inventor: **Tania Danielle Balescu,**
Rhode-St-Genese (BE)

* cited by examiner

(73) Assignee: **S.A. Confiserie Leonidas,** Brussels
(BE)

Primary Examiner—Melody N. Brown
(74) *Attorney, Agent, or Firm*—Jacobson, Price, Holman &
Stern, PLLC

(**) Term: **14 Years**

(57) **CLAIM**

(21) Appl. No.: **29/125,672**

The ornamental design for a vehicle, as shown.

(22) Filed: **Jun. 28, 2000**

DESCRIPTION

(30) **Foreign Application Priority Data**

Dec. 28, 1999 (XH) DM/050 180

FIG. 1 is a perspective view of a vehicle showing my new design;

(51) **LOC (7) Cl.** **12-08**

FIG. 2 is a top view thereof;

(52) **U.S. Cl.** **D12/93**

FIG. 3 is a bottom view thereof;

(58) **Field of Search** D12/93, 83, 102;
296/24.1; 280/1.12, 1.21

FIG. 4 is a front view thereof;

FIG. 5 is a back view thereof; and,

FIG. 6 is a left side view thereof.

(56) **References Cited**

U.S. PATENT DOCUMENTS

D. 284,954 * 8/1986 Lamb D12/83

1 Claim, 3 Drawing Sheets

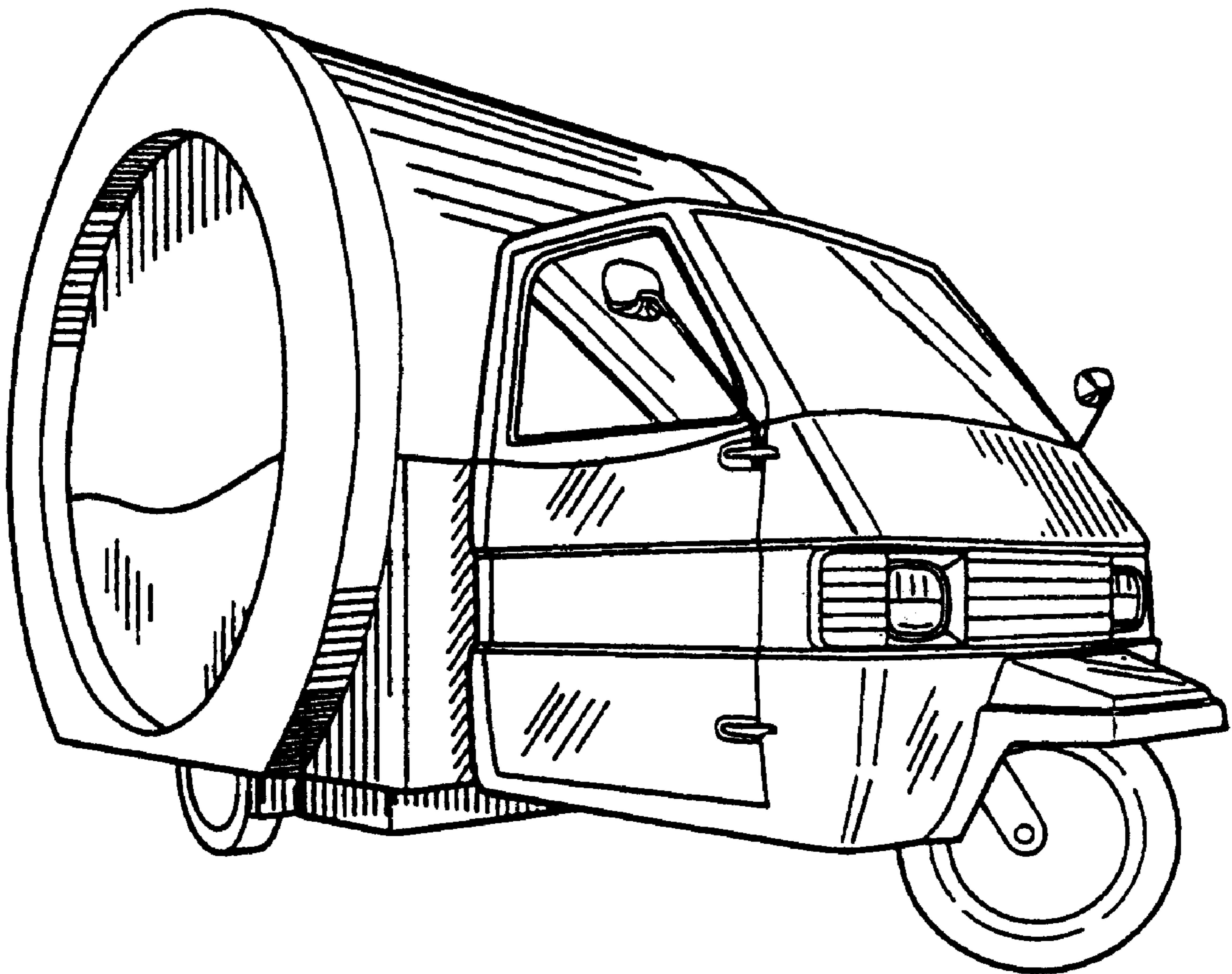


FIG. 1

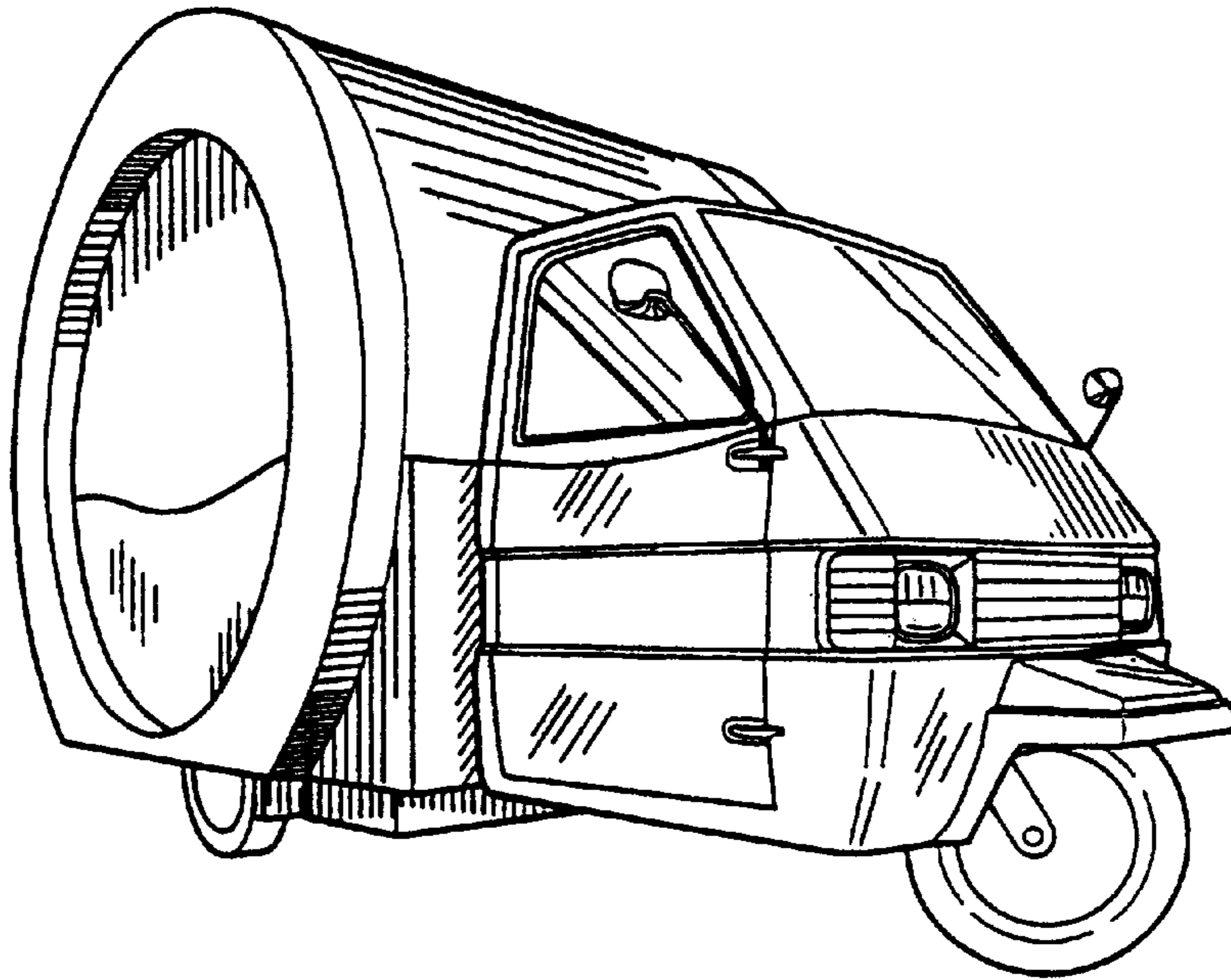


FIG. 6

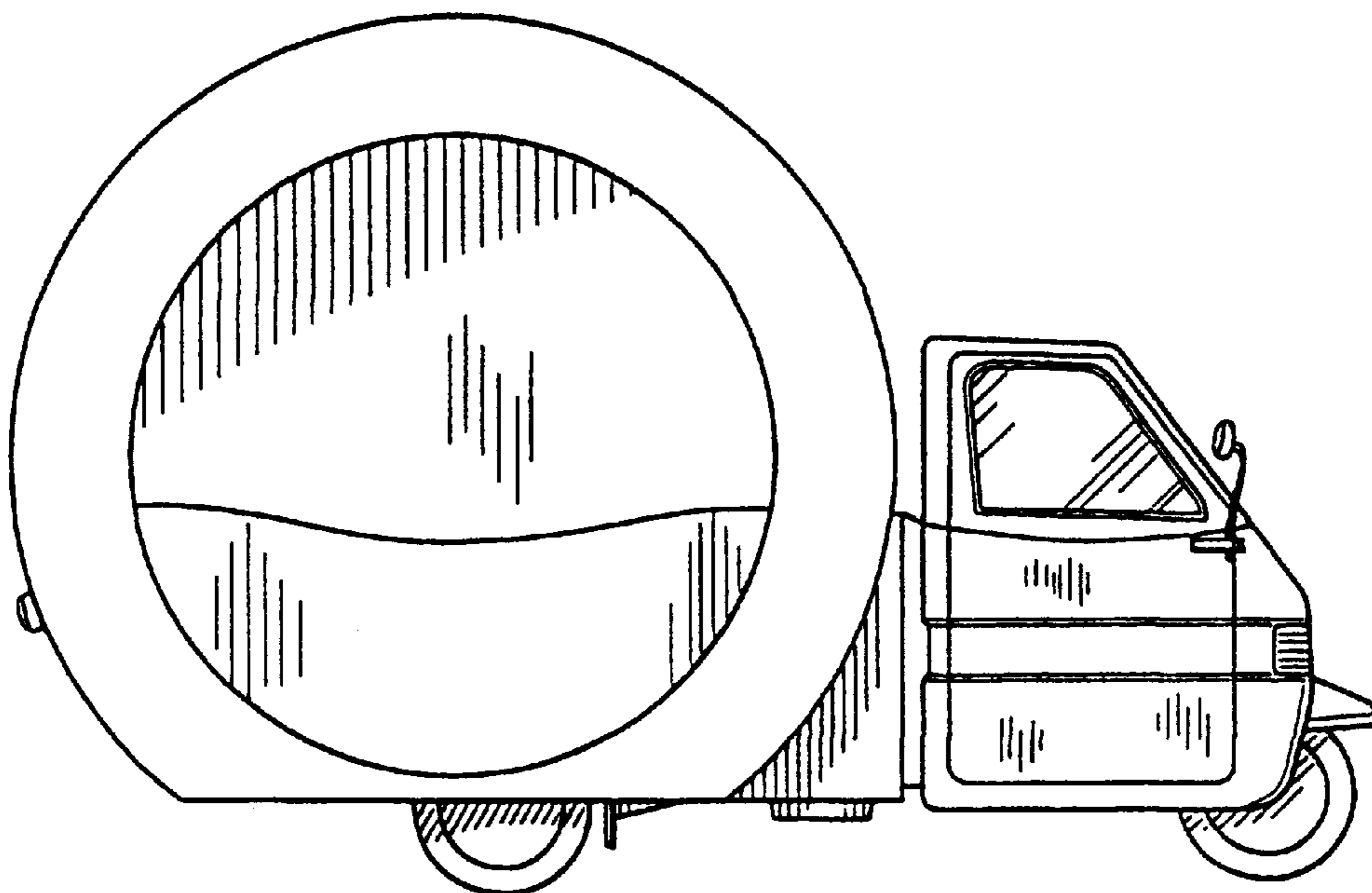


FIG. 2

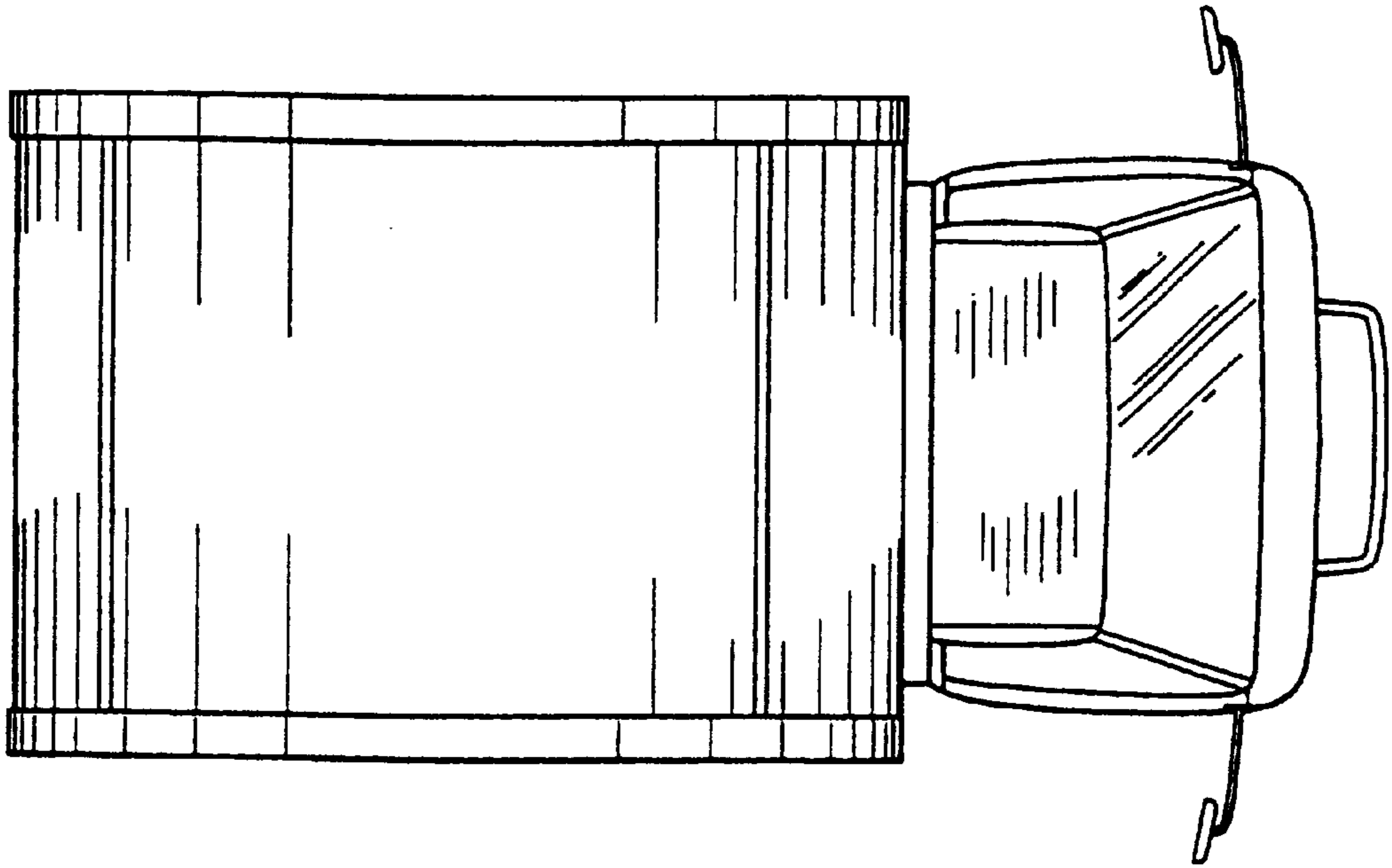


FIG. 3

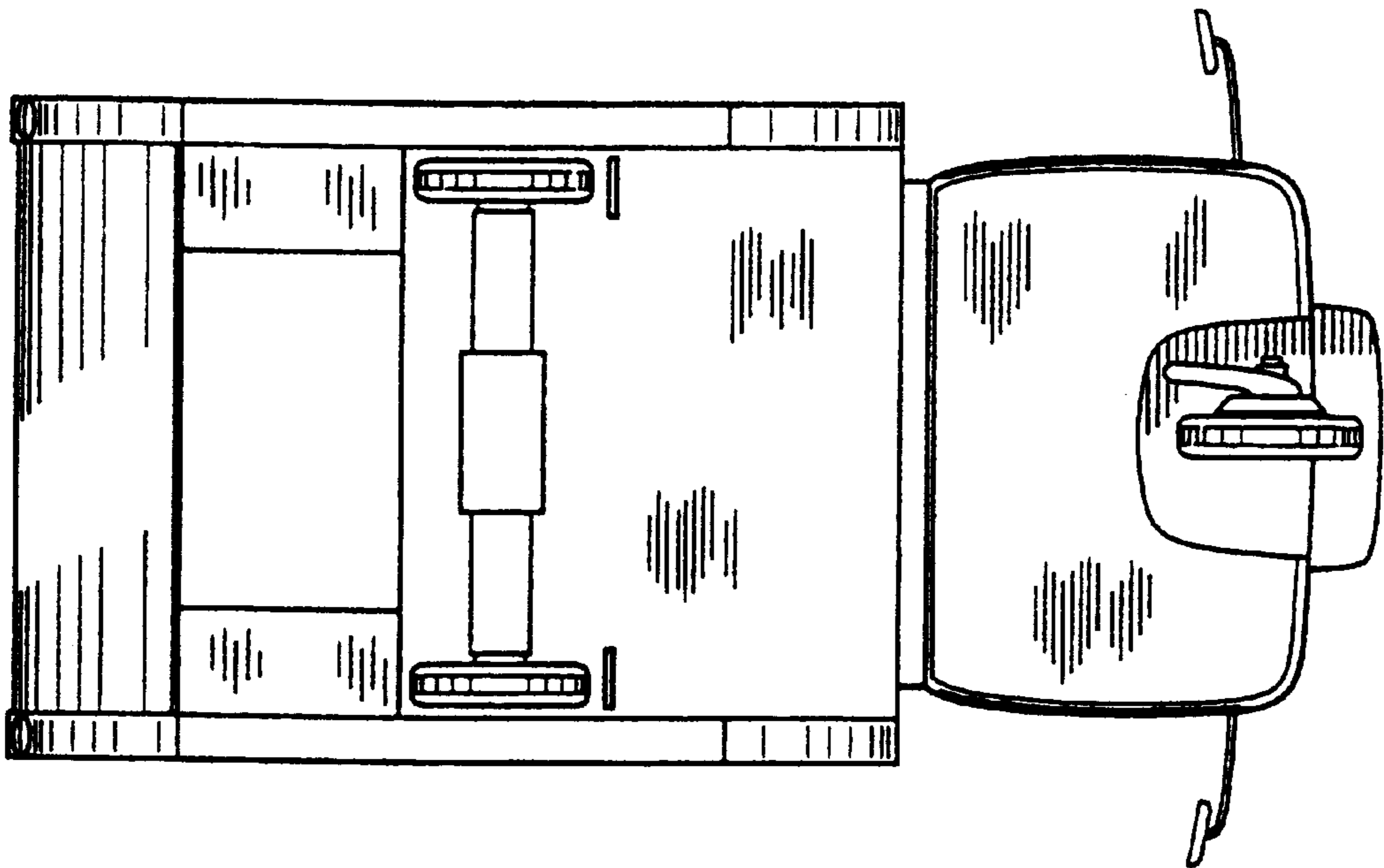


FIG. 4

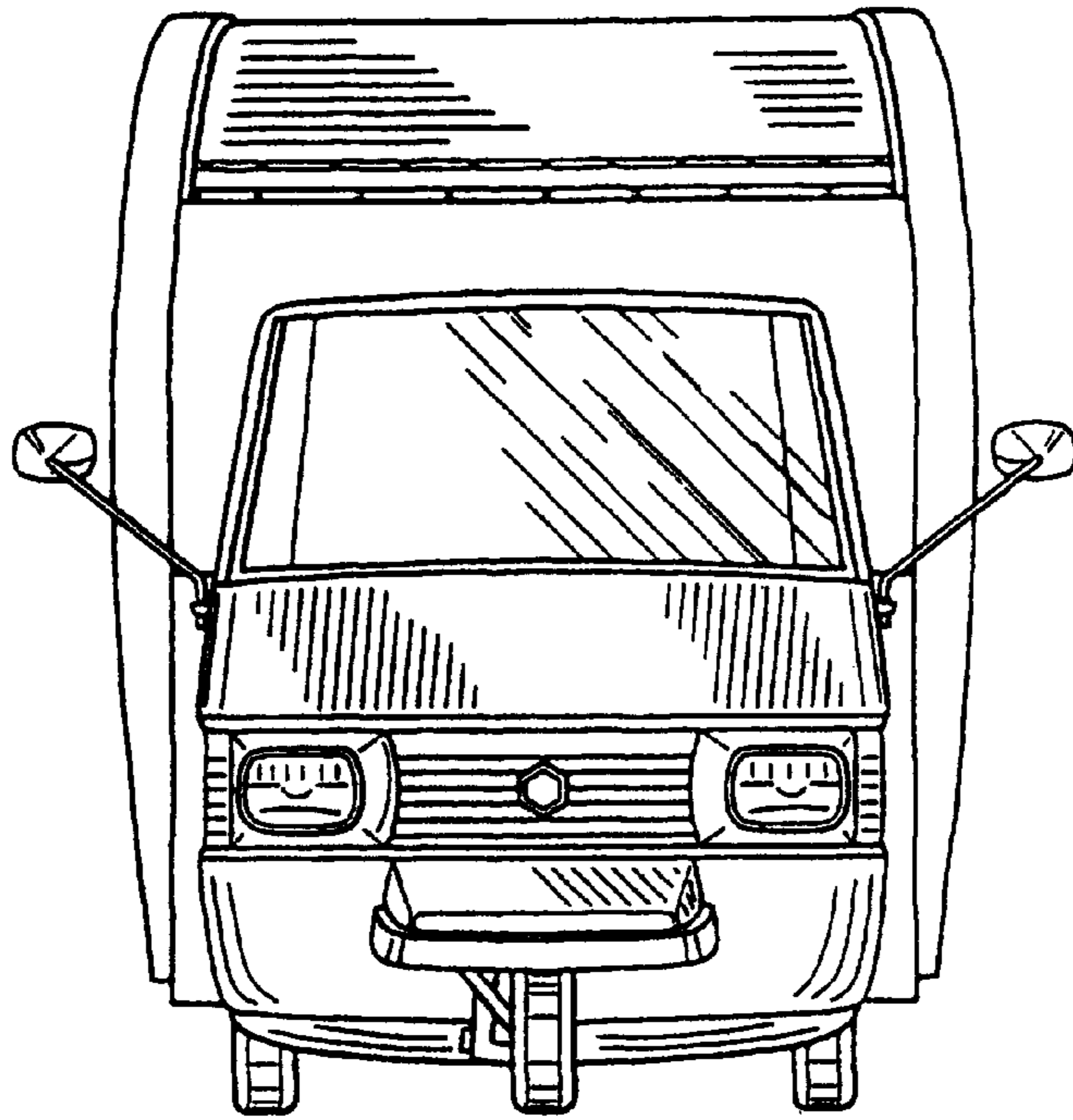


FIG. 5

