



US00D440907S

(12) **United States Design Patent**  
**De Wet**

(10) **Patent No.:** **US D440,907 S**

(45) **Date of Patent:** **\*\* Apr. 24, 2001**

(54) **LAND MINE SHIELD**

**FOREIGN PATENT DOCUMENTS**

(75) Inventor: **Jacobus Francois (Koos) De Wet,**  
Bendigo (AU)

131517 10/1997 (AU) .

\* cited by examiner

(73) Assignee: **Adi Ltd,** Bendigo (AU)

*Primary Examiner*—Stacia Cadmus

(\*\*) Term: **14 Years**

(74) *Attorney, Agent, or Firm*—Larson & Taylor PLC

(21) Appl. No.: **29/114,227**

(22) Filed: **Nov. 22, 1999**

(57) **CLAIM**

The ornamental design for a land mine shield, as shown and described.

(30) **Foreign Application Priority Data**

**DESCRIPTION**

May 27, 1999 (AU) ..... 1673/99

FIG. 1 is a perspective view of a land mine shield, showing my new design;

(51) **LOC (7) Cl.** ..... **12-13**

FIG. 2 is a side view thereof;

(52) **U.S. Cl.** ..... **D12/12**

FIG. 3 is a bottom view thereof;

(58) **Field of Search** ..... D12/12, 400; 89/36.08,  
89/36.01, 36.02, 36.09, 36.13, 40.03

FIG. 4 is a rear view thereof; and,

FIG. 5 is an enlarged section view taken along line 5—5 in FIG. 2.

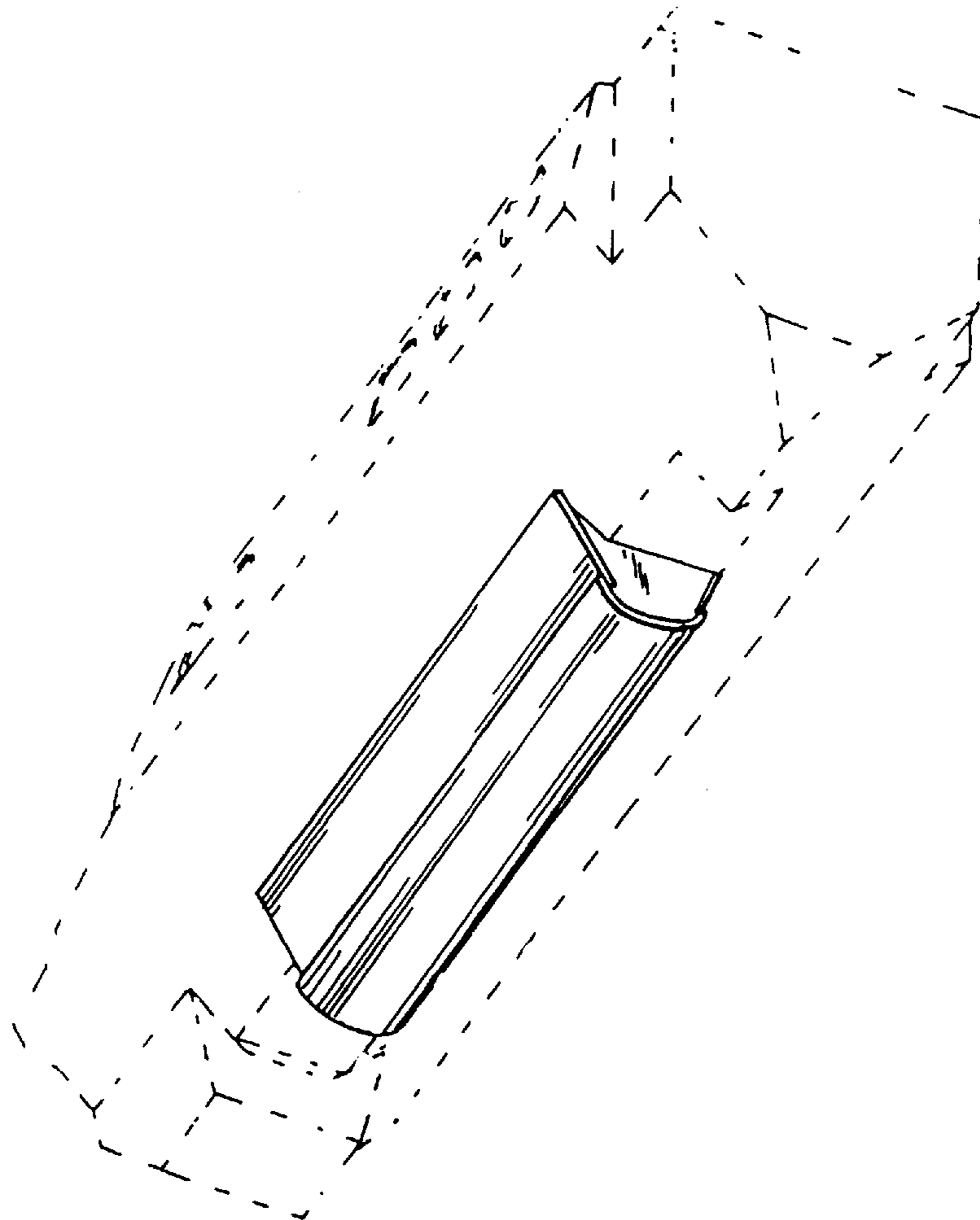
(56) **References Cited**

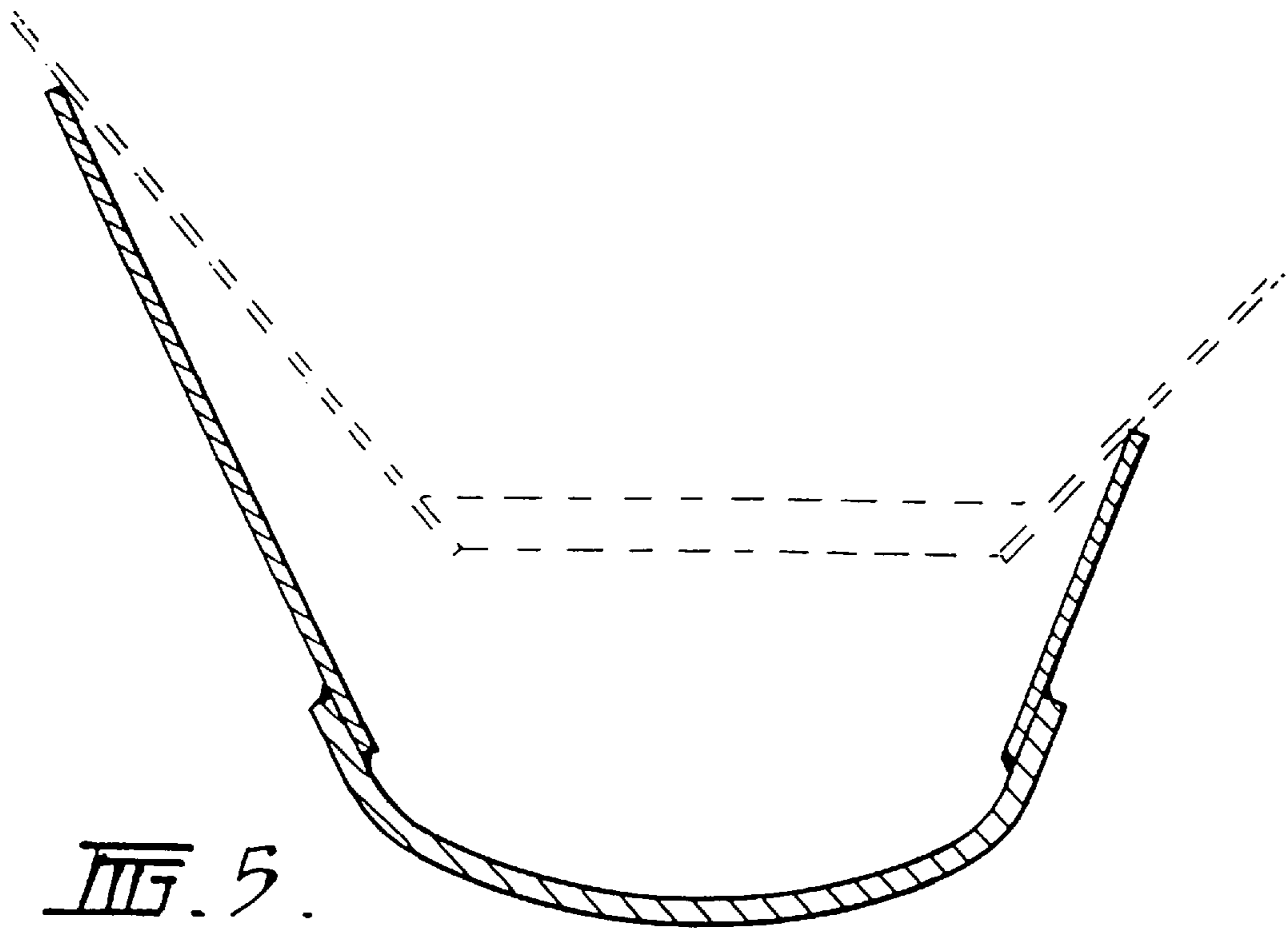
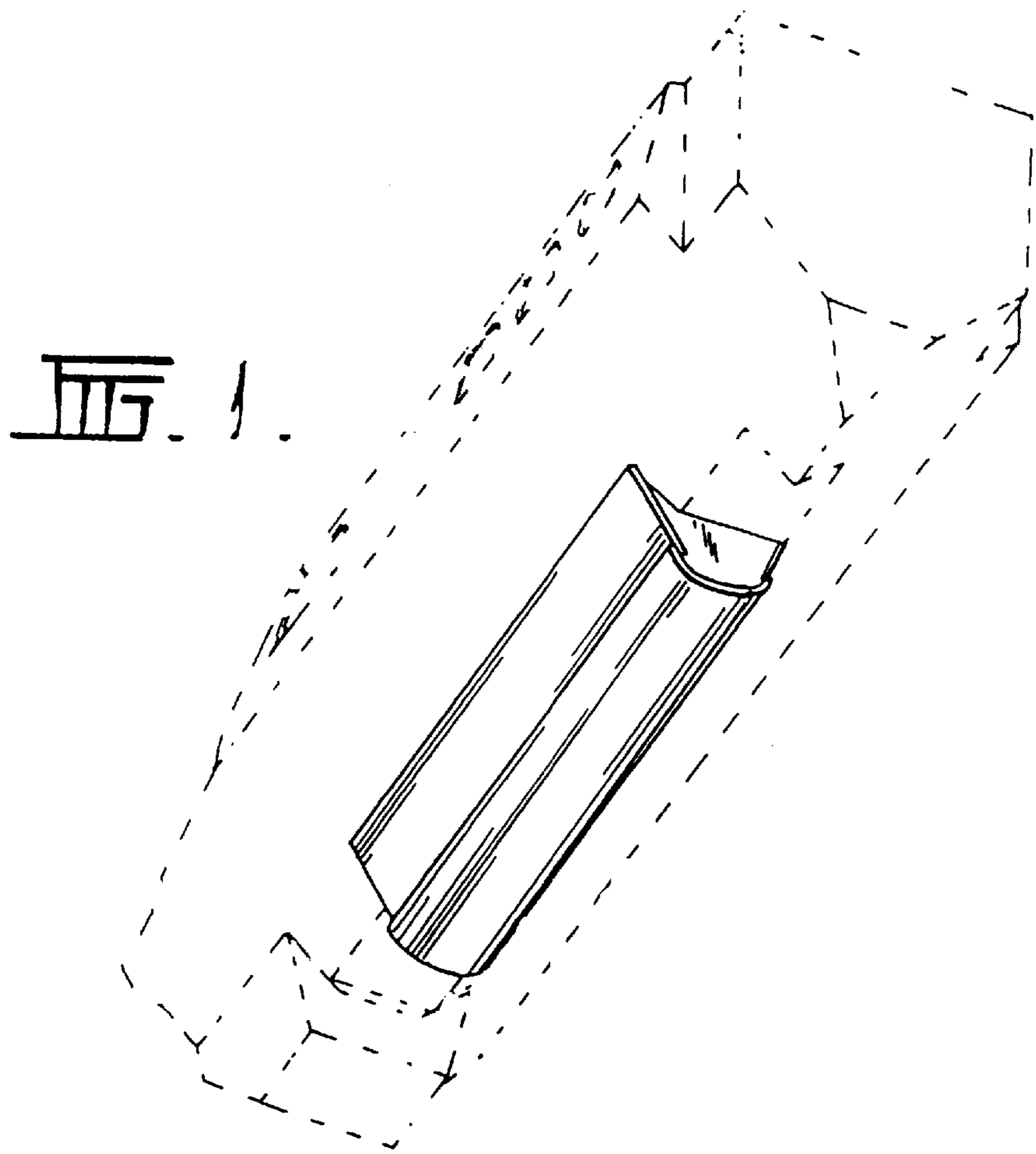
The broken line showing of environment is for illustrative purposes only and forms no part of the claimed design.

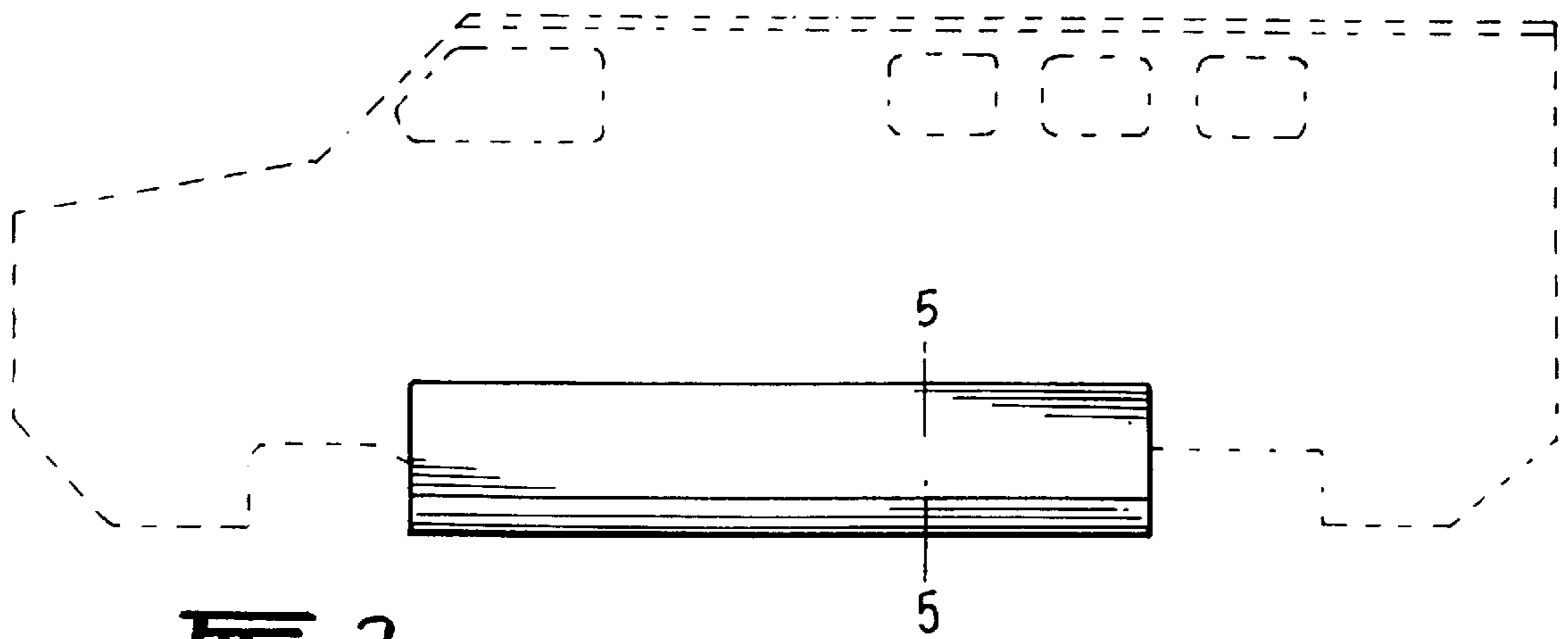
**U.S. PATENT DOCUMENTS**

4,326,445 \* 4/1982 Bemiss ..... 89/36.08

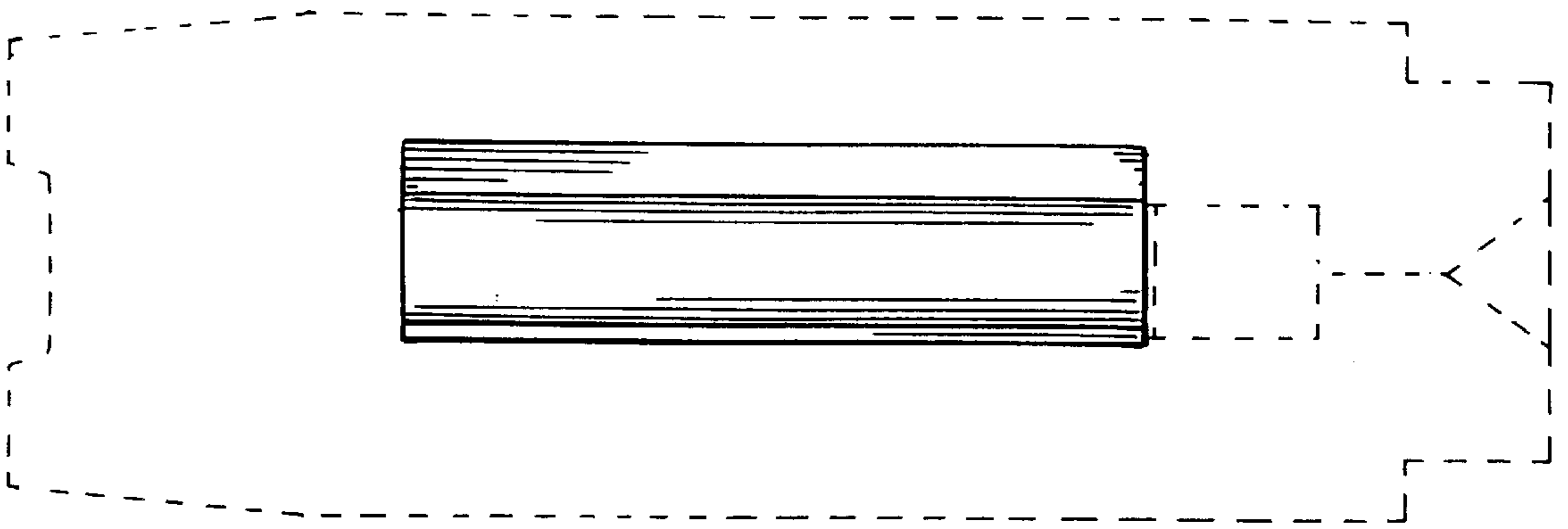
**1 Claim, 2 Drawing Sheets**



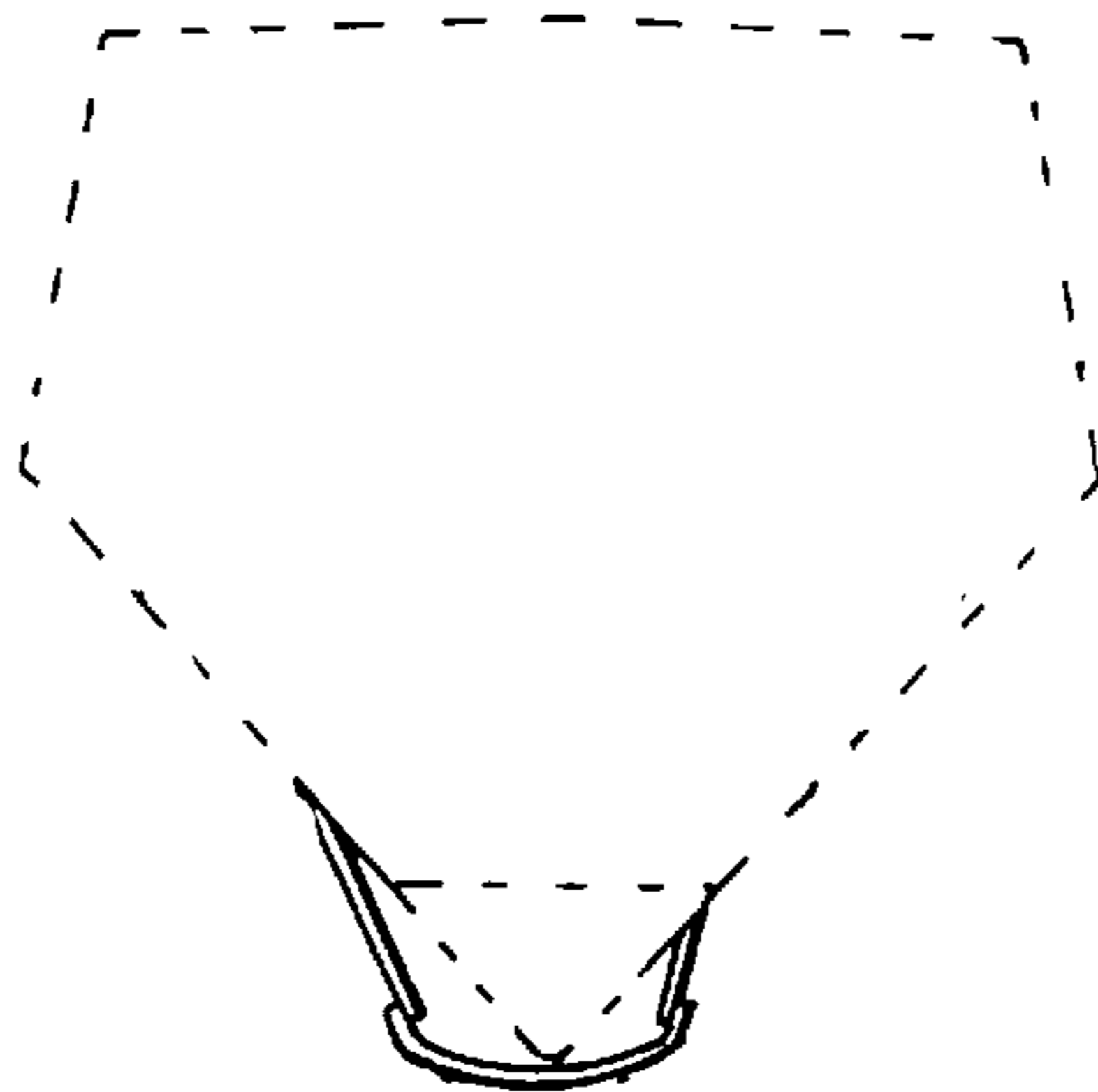




**FIG. 2.**



**FIG. 3.**



**FIG. 4.**

UNITED STATES PATENT AND TRADEMARK OFFICE  
**CERTIFICATE OF CORRECTION**

PATENT NO. : Des 440,907 S  
DATED : April 24, 2001  
INVENTOR(S) : De Wet

Page 1 of 1

It is certified that error appears in the above-identified patent and that said Letters Patent is hereby corrected as shown below:

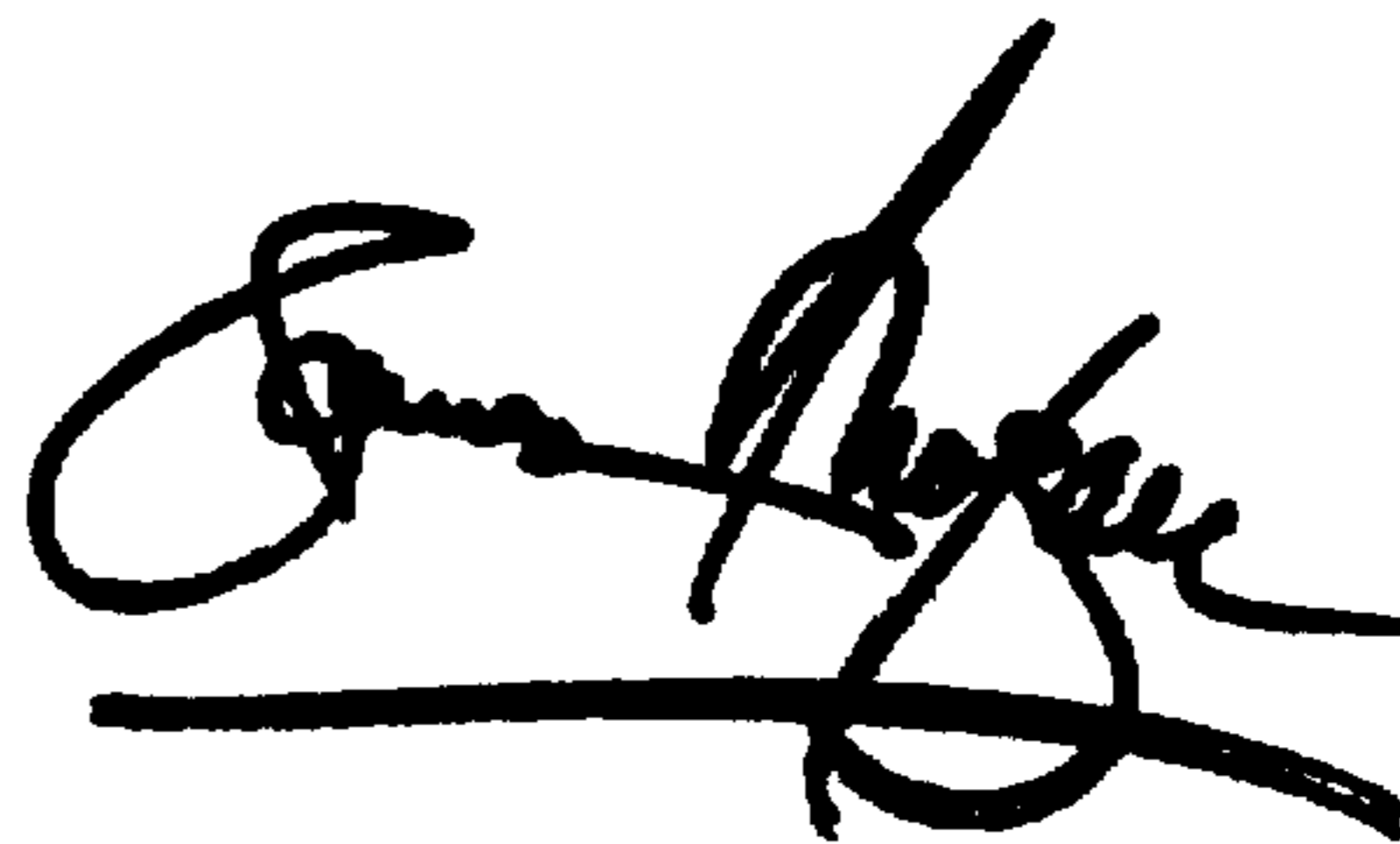
Title page,

Item [73], change "Adi Ltd, Bendigo (AU)" to -- ADI Ltd, Bendigo (AU) --.

Signed and Sealed this

Twelfth Day of February, 2002

*Attest:*



*Attesting Officer*

JAMES E. ROGAN  
*Director of the United States Patent and Trademark Office*