



US00D440901S

(12) **United States Design Patent**
Bruce et al.

(10) **Patent No.:** **US D440,901 S**

(45) **Date of Patent:** **** Apr. 24, 2001**

(54) **PORTION OF A WATCH HOUSING**

(75) Inventors: **Robert M. Bruce**, San Francisco; **Brett C. Lovelady**, Saratoga; **Kyle N. Swen**, Campbell, all of CA (US)

(73) Assignee: **Nike, Inc**, Beaverton, OR (US)

(**) Term: **14 Years**

(21) Appl. No.: **29/116,816**

(22) Filed: **Jan. 12, 2000**

(51) **LOC (7) Cl.** **10-02**

(52) **U.S. Cl.** **D10/128; D10/30**

(58) **Field of Search** D10/1-40, 122-132;
368/280-282, 276-277, 28-30, 285, 239-242,
82-84, 41-44

(56) **References Cited**

U.S. PATENT DOCUMENTS

- D. 311,693 10/1990 Woomer .
- D. 362,629 9/1995 Muller .
- D. 383,396 9/1997 Houlihan .
- D. 386,692 11/1997 Kume et al. .
- D. 386,694 11/1997 Houlihan .
- D. 386,975 12/1997 Yamamoto .
- D. 386,983 12/1997 Houlihan .
- D. 387,292 12/1997 Yamamoto .
- D. 387,676 12/1997 Hanagata .
- D. 387,684 12/1997 Hanagata .
- D. 387,685 12/1997 Sugita et al. .
- D. 387,686 12/1997 Hanagata .
- D. 387,998 12/1997 Ramos, Jr. et al. .
- D. 387,999 12/1997 Cobarrubias .
- D. 389,752 1/1998 Riley .
- D. 394,391 5/1998 Bruce et al. .
- D. 394,394 5/1998 Bruce et al. .
- D. 394,395 5/1998 Bruce et al. .
- D. 397,300 8/1998 Chen .
- D. 397,619 9/1998 Lee .
- D. 397,952 9/1998 Bruce et al. .

- D. 398,246 9/1998 Bruce et al. .
- D. 398,540 9/1998 Lee .
- D. 399,432 10/1998 Mouawad .
- D. 399,433 10/1998 Bruce et al. .
- D. 402,898 12/1998 Hanagata .
- D. 402,900 12/1998 Hanagata et al. .
- D. 402,901 12/1998 Sugisawa .
- D. 404,328 1/1999 Brunner et al. .
- D. 415,708 * 10/1999 Yanku D10/128
- D. 418,442 * 1/2000 Yanku D10/128

OTHER PUBLICATIONS

“Nike Equipment Catalog,” Holiday 1998, published Feb. 1, 1998 (pp. 3, 7), Beaverton, Oregon.

“Nike Equipment Catalog,” Spring 1999, published Jun. 1, 1998 (pp. 3, 6), Beaverton, Oregon.

* cited by examiner

Primary Examiner—Nelson C. Holtje

(74) *Attorney, Agent, or Firm*—Trask, Britt

(57) **CLAIM**

The ornamental design for a portion of a watch housing, as shown and described.

DESCRIPTION

FIG. 1 is a perspective view of a portion of a watch housing showing my new design;

FIG. 2 is a top view of the portion of a watch housing shown in FIG. 1;

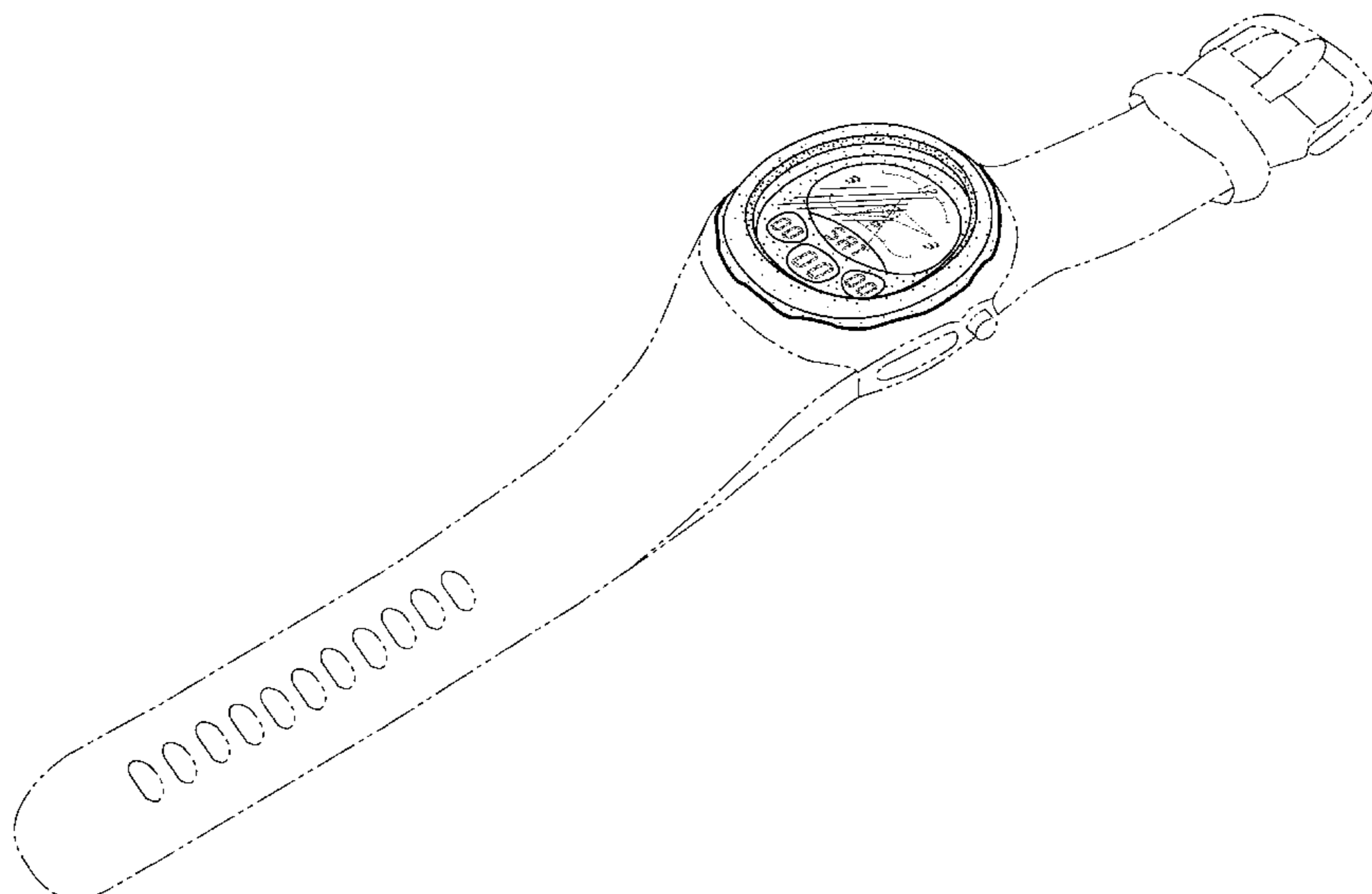
FIG. 3 is a right side elevational view of the portion of a watch housing shown in FIG. 1;

FIG. 4 is a front elevational view of the portion of a watch housing shown in FIG. 1; and,

FIG. 5 is a rear elevational view of the portion of a watch housing shown in FIG. 1.

The phantom line representation of the watch band and the remainder of the watch housing is for illustrative purposes only and forms no part of the claimed design.

1 Claim, 3 Drawing Sheets



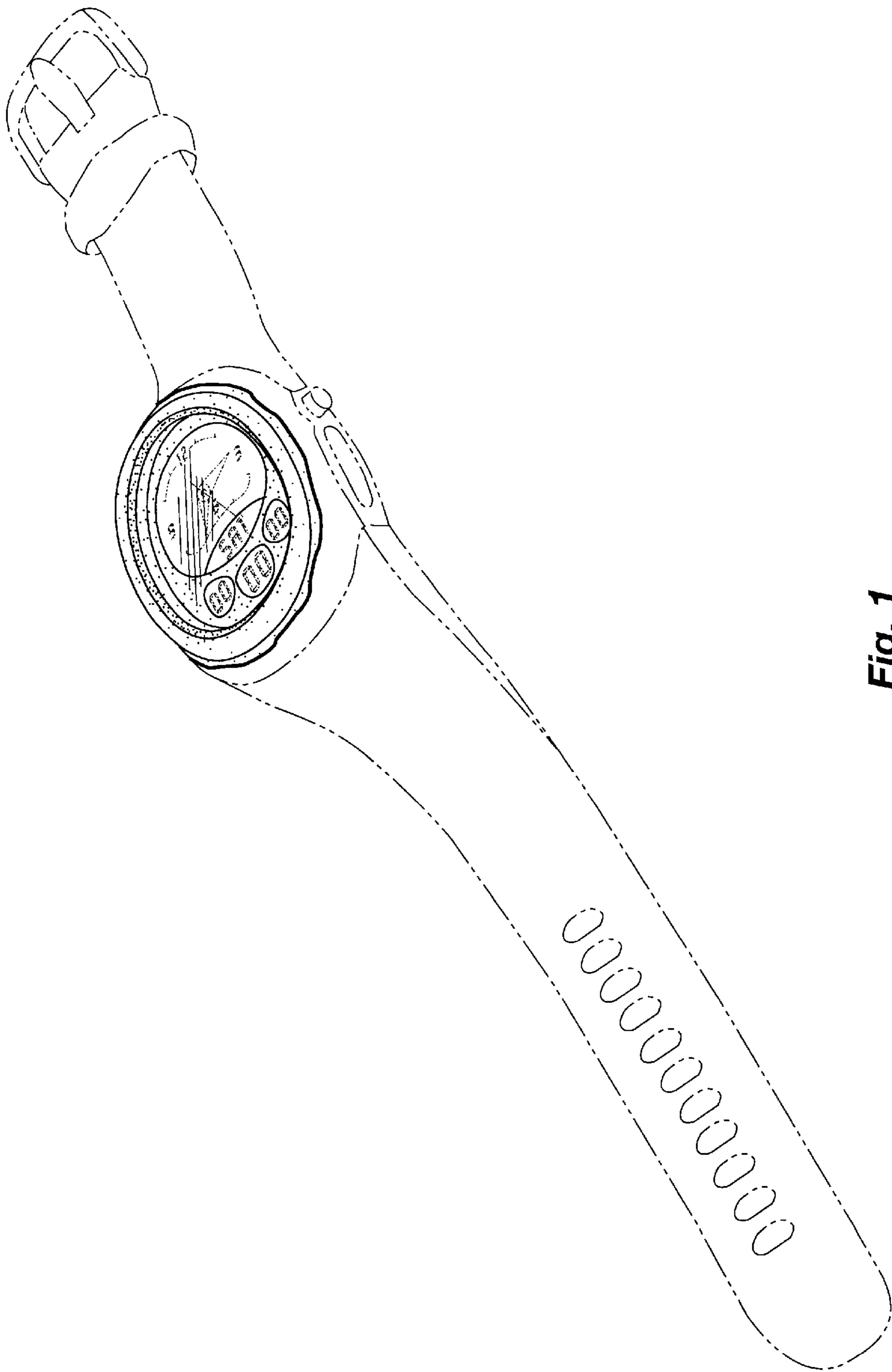


Fig. 1

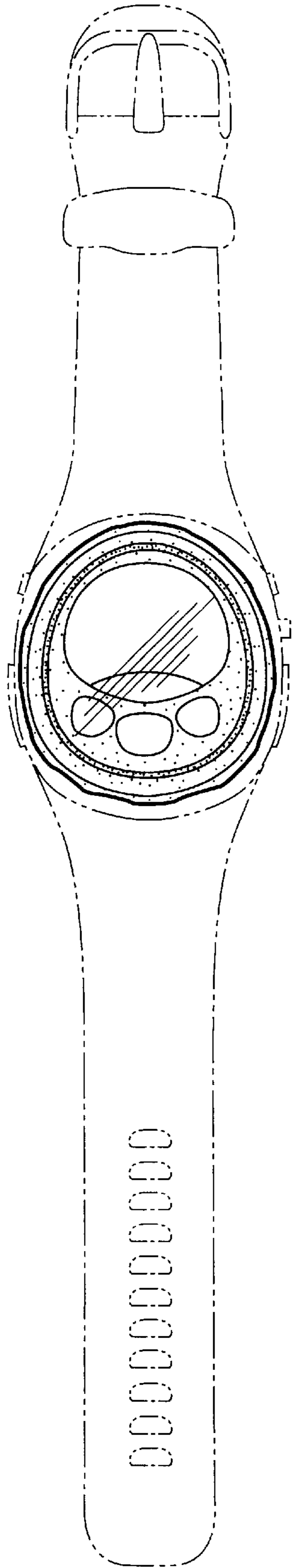


Fig. 2

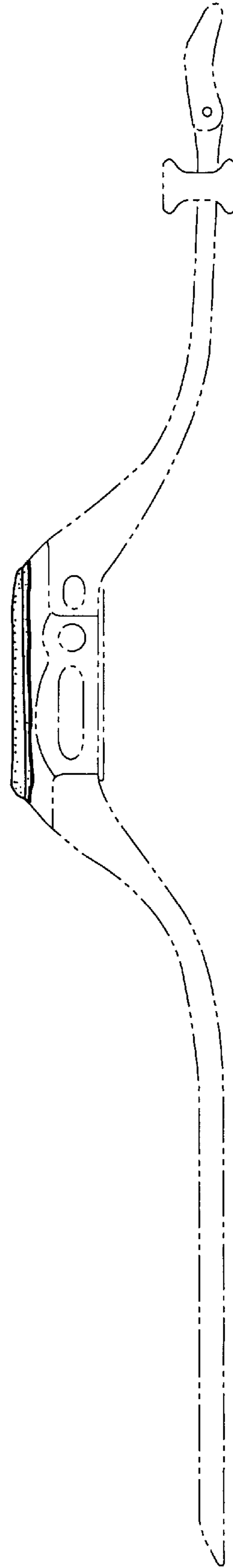


Fig. 3

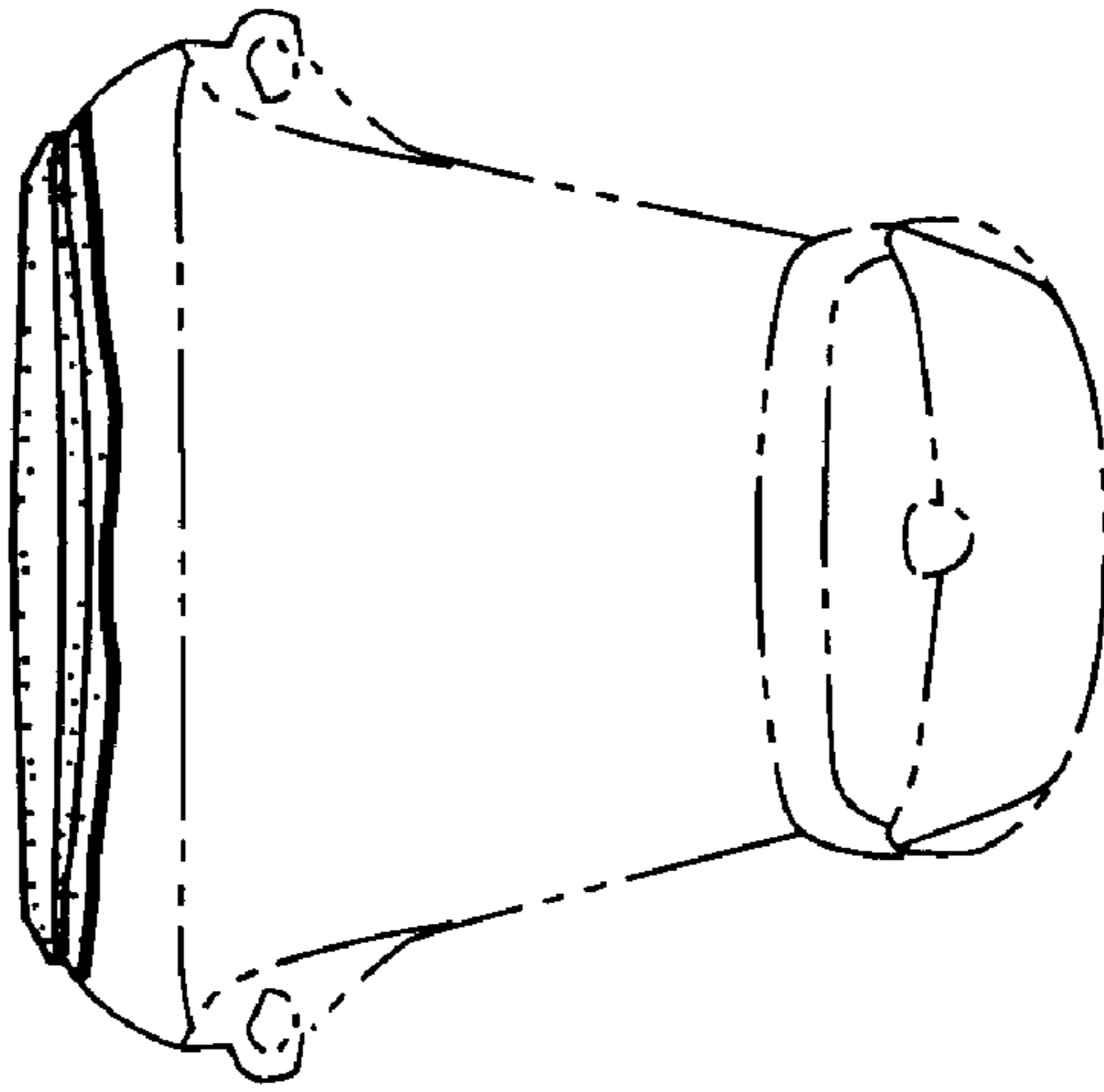


Fig. 5

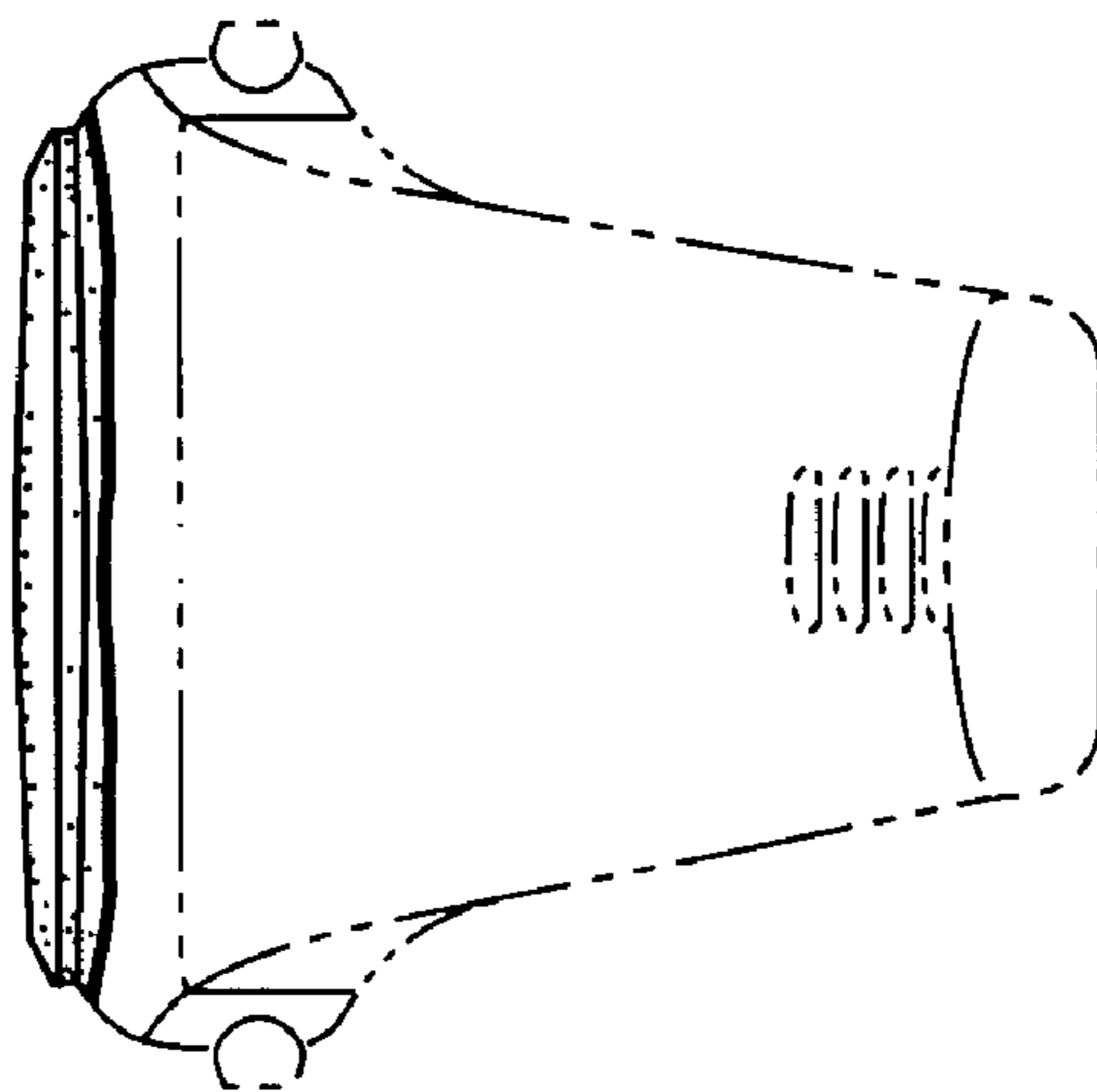


Fig. 4