



US00D440898S

(12) **United States Design Patent**
Lewis

(10) **Patent No.:** **US D440,898 S**

(45) **Date of Patent:** **** Apr. 24, 2001**

(54) **ANIMAL SENSOR AND TRANSMITTER**

(76) **Inventor:** **Erick L. Lewis**, 2112 Pleasant Ave.
South, Minneapolis, MN (US) 55404

(**) **Term:** **14 Years**

(21) **Appl. No.:** **29/128,523**

(22) **Filed:** **Aug. 24, 2000**

(51) **LOC (7) Cl.** **10-05**

(52) **U.S. Cl.** **D10/104**

(58) **Field of Search** D10/104, 106,
D10/116, 121, 114, 115; 340/541, 548,
551, 552, 553, 556, 561, 571, 572, 573;
D30/151, 152

(56) **References Cited**

U.S. PATENT DOCUMENTS

D. 401,176 * 11/1998 Coupel D10/104

D. 417,410 * 12/1999 De Tracy et al. D10/104

* cited by examiner

Primary Examiner—Marcus A. Jackson

(74) *Attorney, Agent, or Firm*—Fredrikson & Byron, P.A.

(57) **CLAIM**

I claim the ornamental design for an animal sensor and transmitter, as shown.

DESCRIPTION

FIG. 1 is a front, top, right side perspective view of an animal sensor and transmitter of my invention; FIG. 2 is a right side view thereof; FIG. 3 is a left side view thereof; FIG. 4 is a rear view thereof; FIG. 5 is a front view thereof; and, FIG. 6 is a top view thereof.

1 Claim, 4 Drawing Sheets

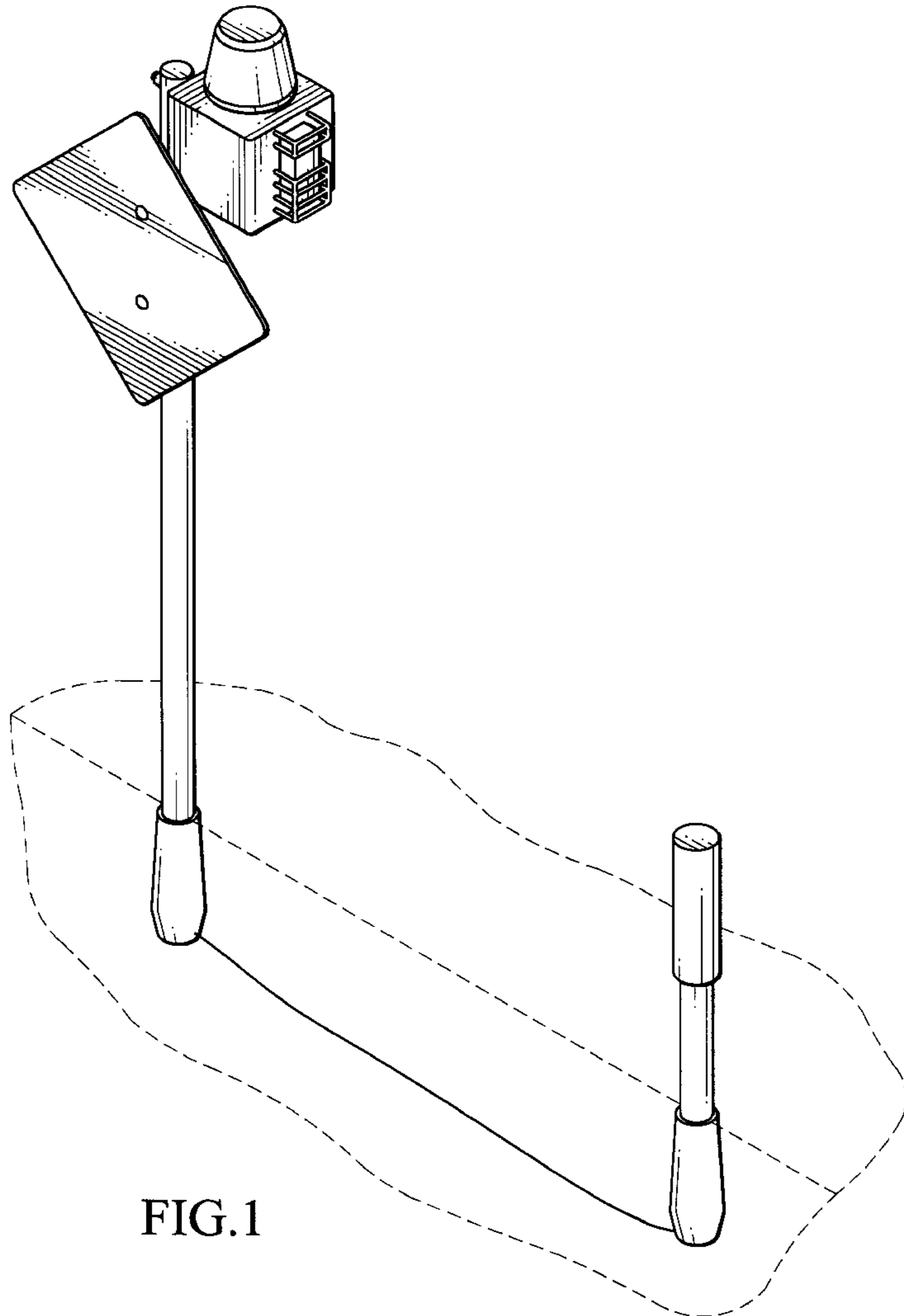


FIG.1

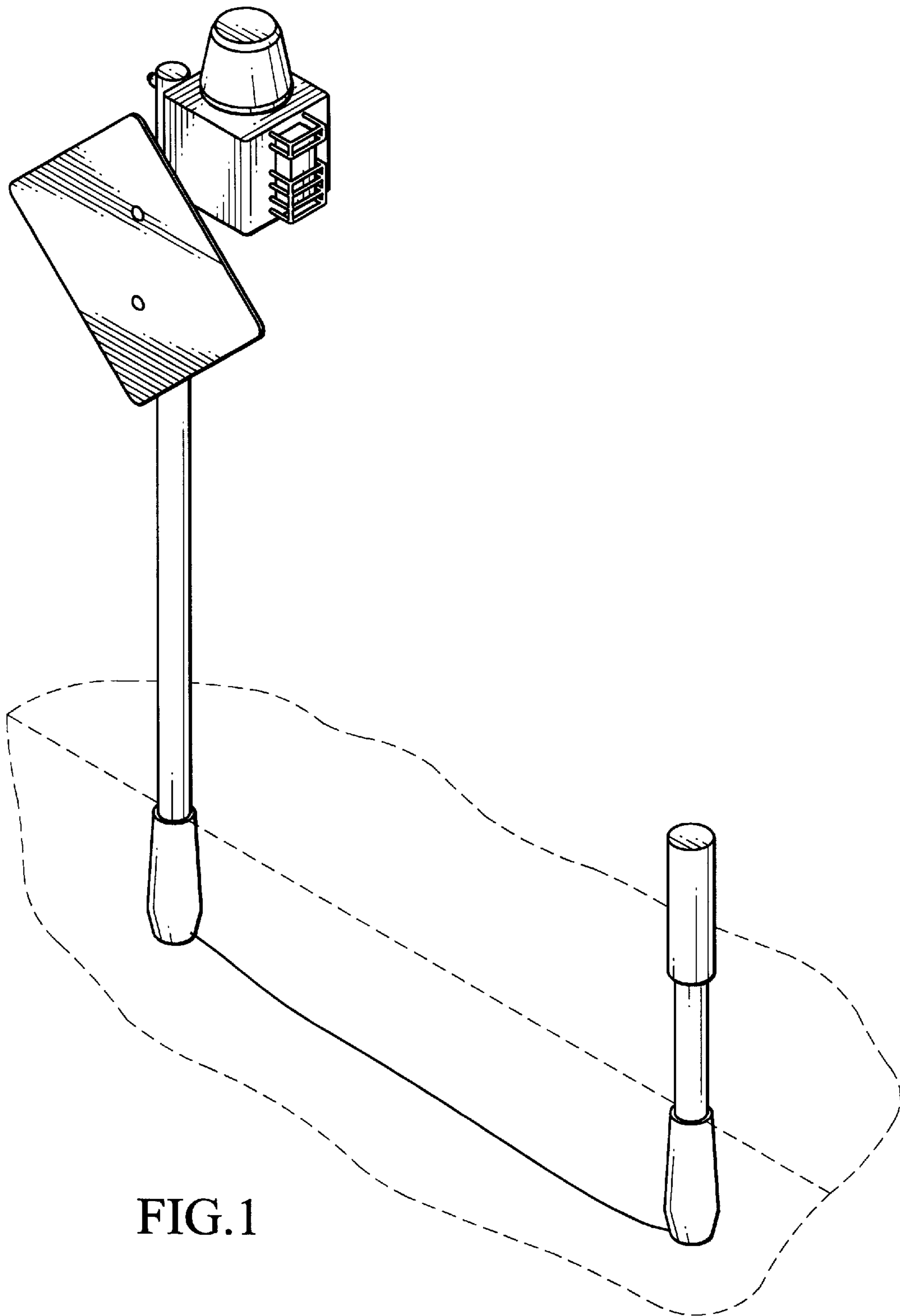


FIG. 1

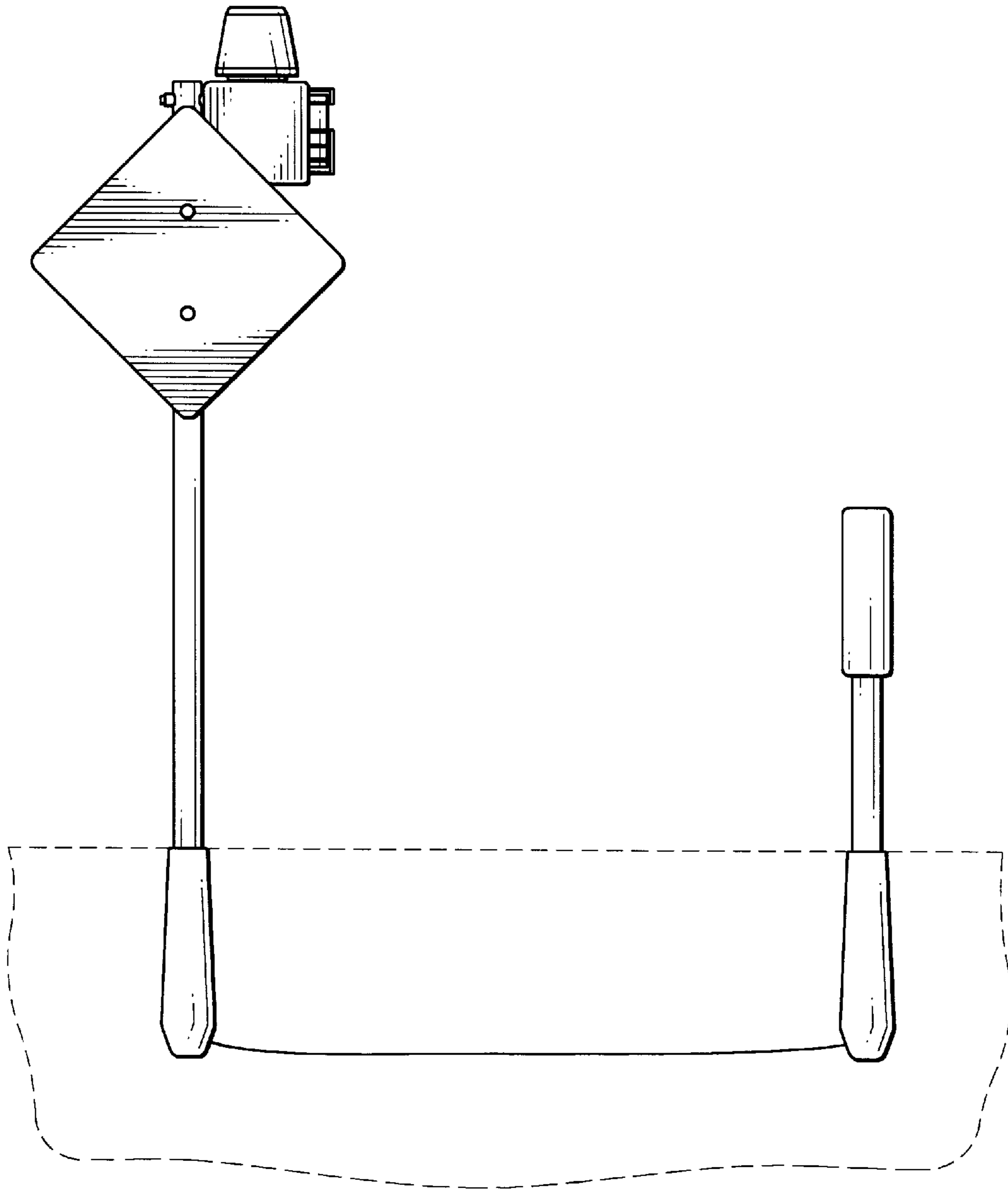


FIG.2

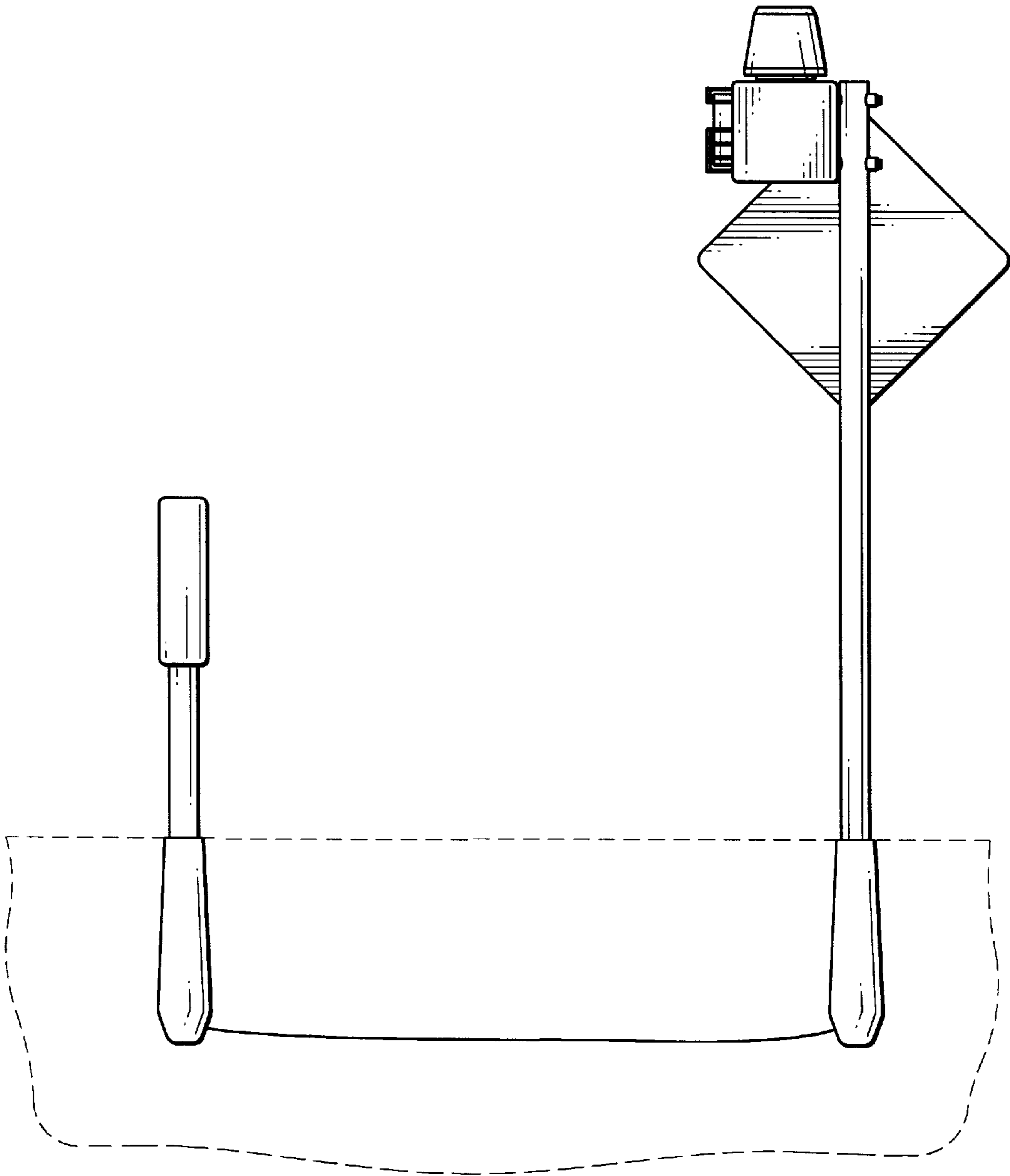


FIG.3

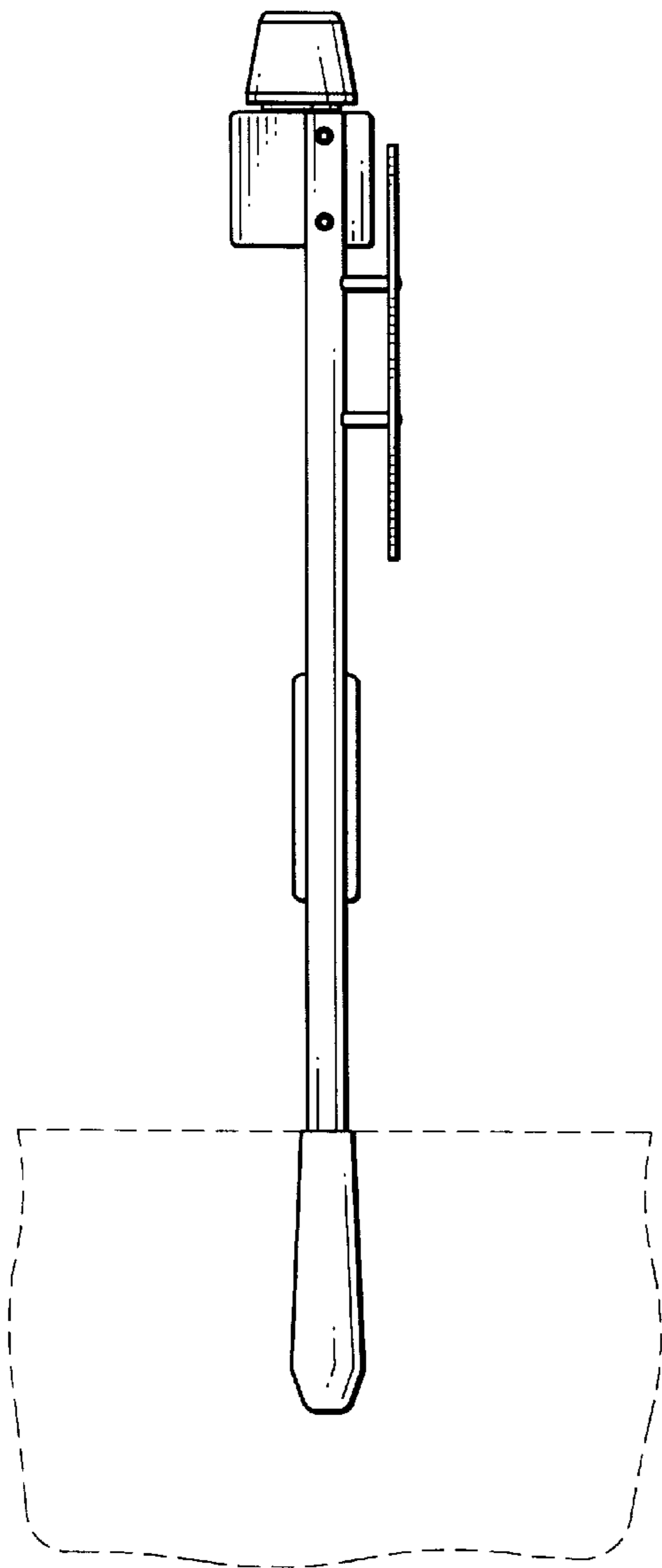


FIG. 4

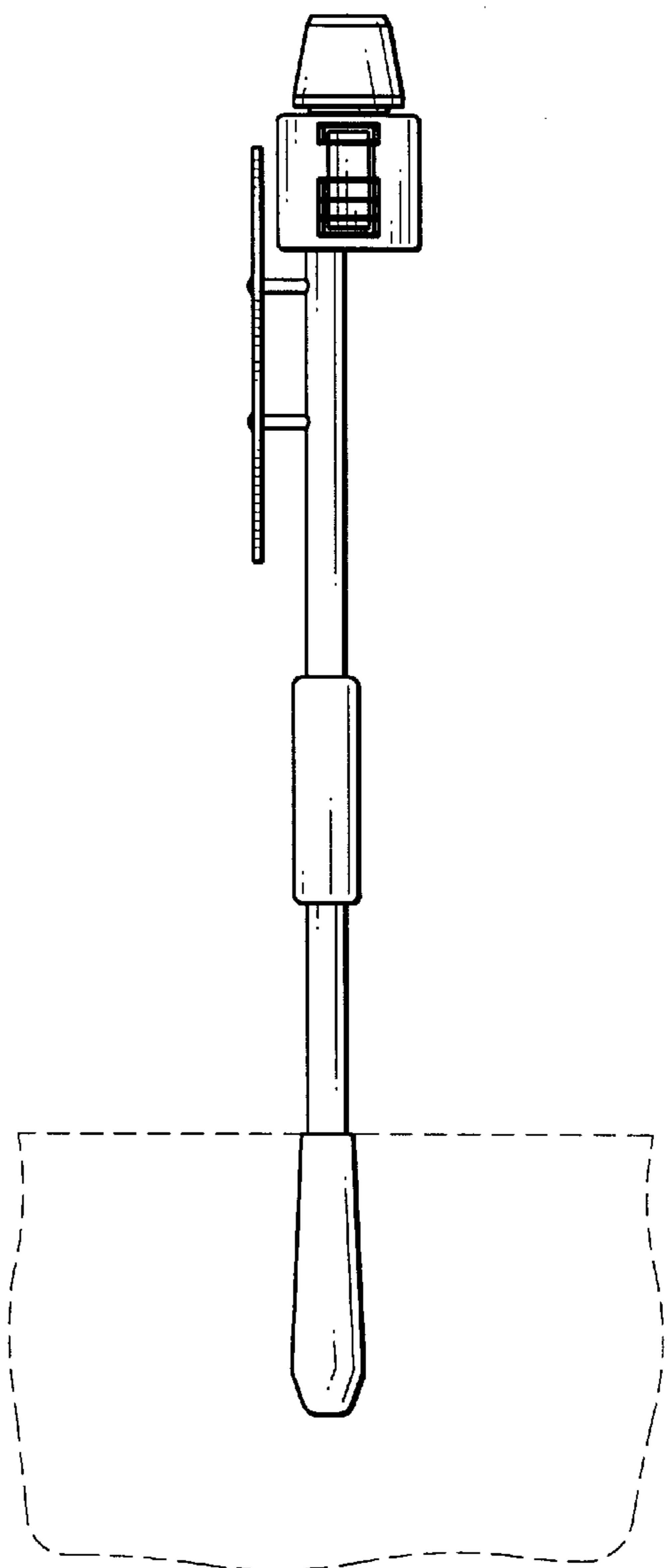


FIG. 5

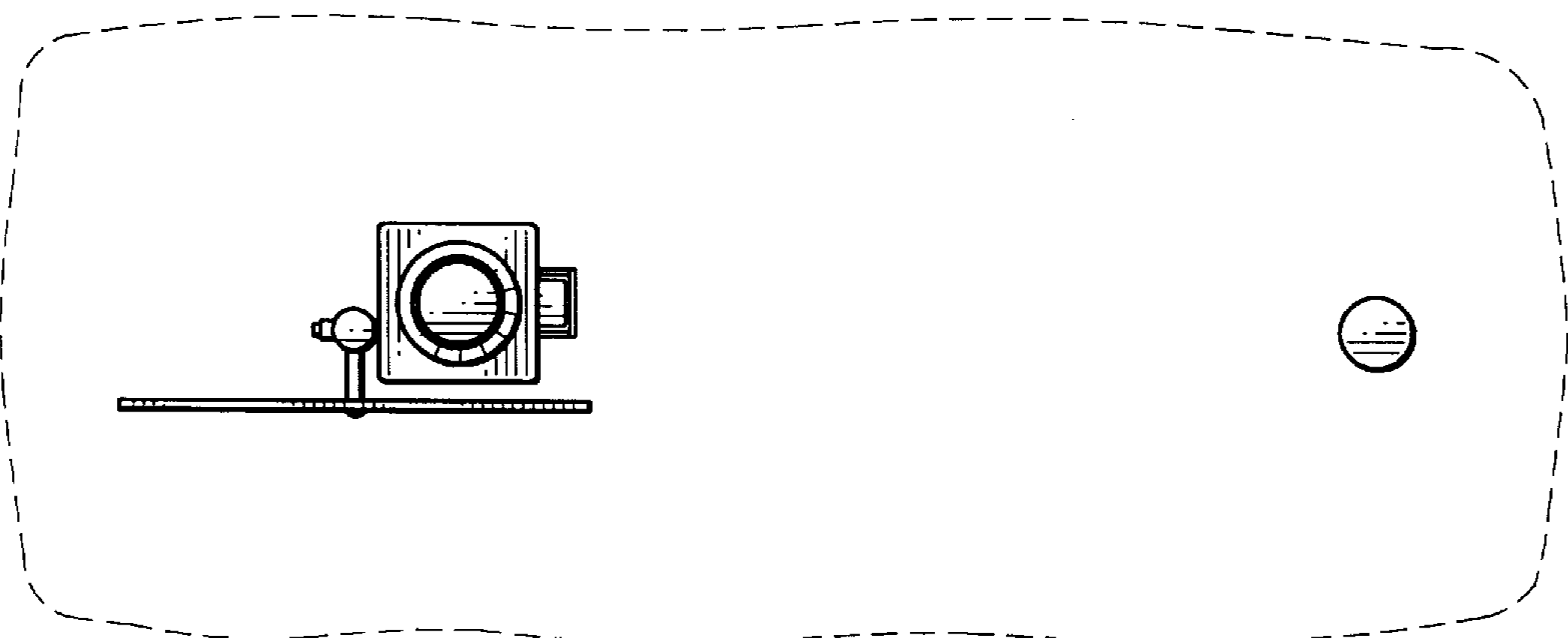


FIG. 6