



US00D440896S

(12) **United States Design Patent**
Asai et al.

(10) **Patent No.:** **US D440,896 S**

(45) **Date of Patent:** **** Apr. 24, 2001**

(54) **FLOW AMOUNT DETECTOR**

FOREIGN PATENT DOCUMENTS

(75) Inventors: **Atsushi Asai**, Soka; **Shogo Kurisaki**, Ibaraki-ken; **Pinghou Ge**, Ibaraki-ken; **Tomonobu Endou**, Ibaraki-ken, all of (JP)

0915526 12/1994 (JP) .

OTHER PUBLICATIONS

(73) Assignee: **SMC Kabushiki Kaisha**, Tokyo (JP)

M&E, vol. 19, No. 12, p. 82, Dec. 1, 1992, published by Kogyo Chosakai, Tokyo, Japan.

(**) Term: **14 Years**

* cited by examiner

(21) Appl. No.: **29/121,688**

Primary Examiner—Antoine Duval Davis

(22) Filed: **Apr. 12, 2000**

(74) *Attorney, Agent, or Firm*—Frishauf, Holtz, Goodman, Langer & Chick, P.C.

(30) **Foreign Application Priority Data**

Oct. 15, 1999 (JP) 11-28380

(57) **CLAIM**

The ornamental design for a flow amount detector, as shown and described.

(51) **LOC (7) Cl.** **10-04**

DESCRIPTION

(52) **U.S. Cl.** **D10/96**

(58) **Field of Search** D10/96, 97; 73/861-861.357, 73/431

FIG. 1 is a top, front and right-side perspective view of a flow amount detector showing our new design; FIG. 2 is a front view thereof, the rear view being a mirror image; FIG. 3 is a left side view thereof; FIG. 4 is a right side view thereof; FIG. 5 is a top plan view thereof; and, FIG. 6 is a bottom plan view thereof.

(56) **References Cited**

U.S. PATENT DOCUMENTS

4,421,417 * 12/1983 McQuade D10/96 X
5,461,931 * 10/1995 Gill 73/861.28
5,816,779 * 10/1998 Lawless et al. 417/63

1 Claim, 3 Drawing Sheets

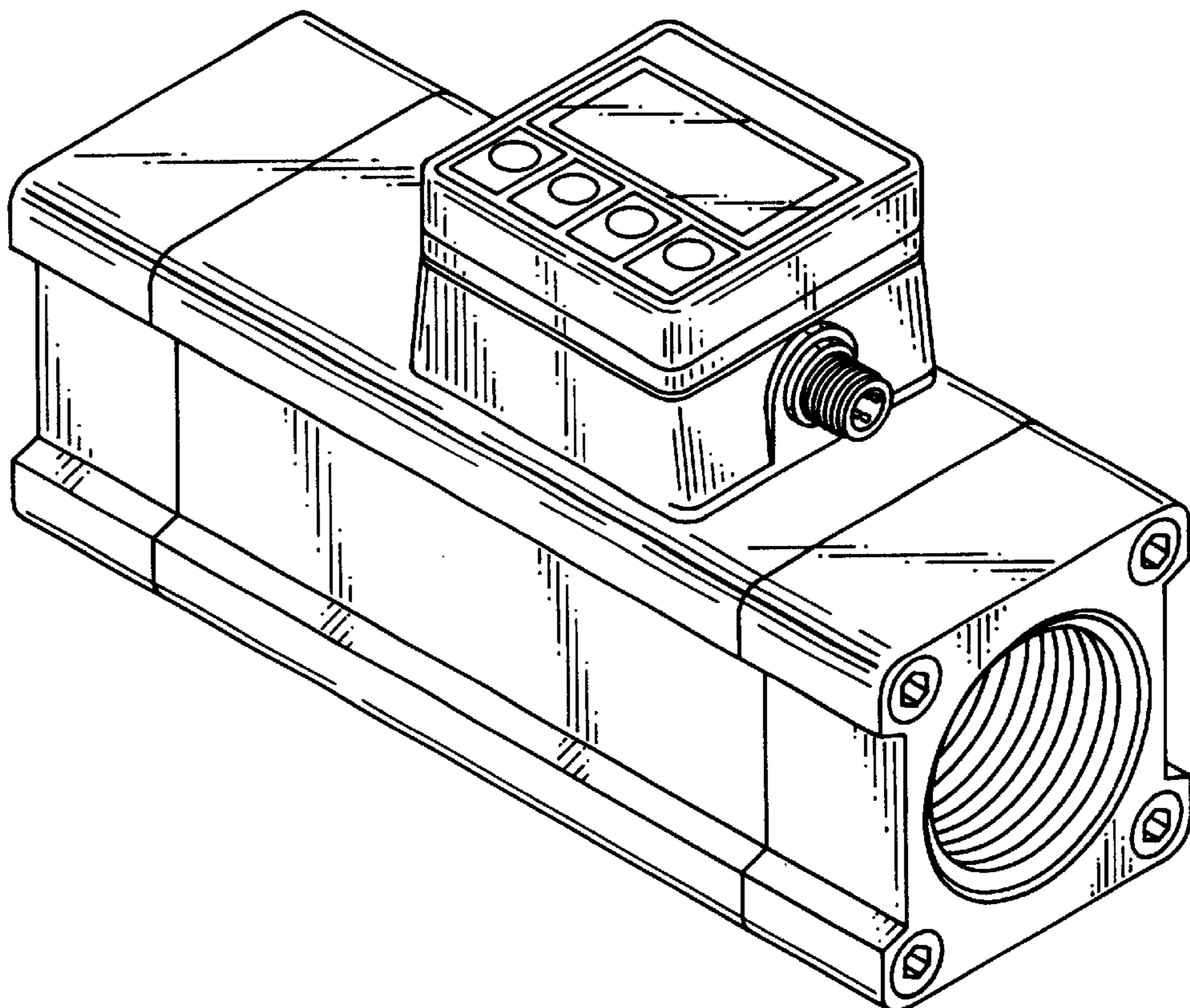


FIG. 1

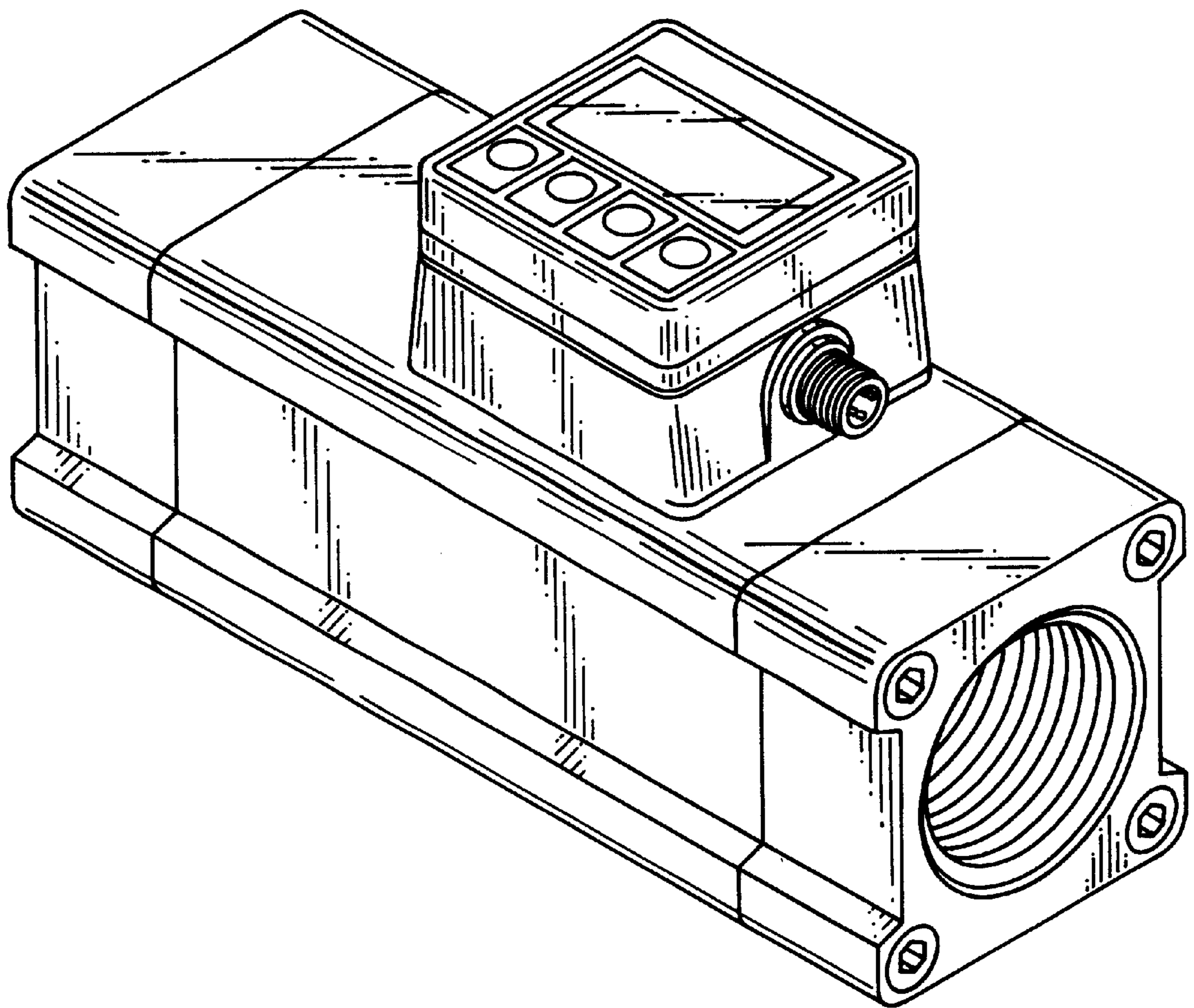


FIG. 2

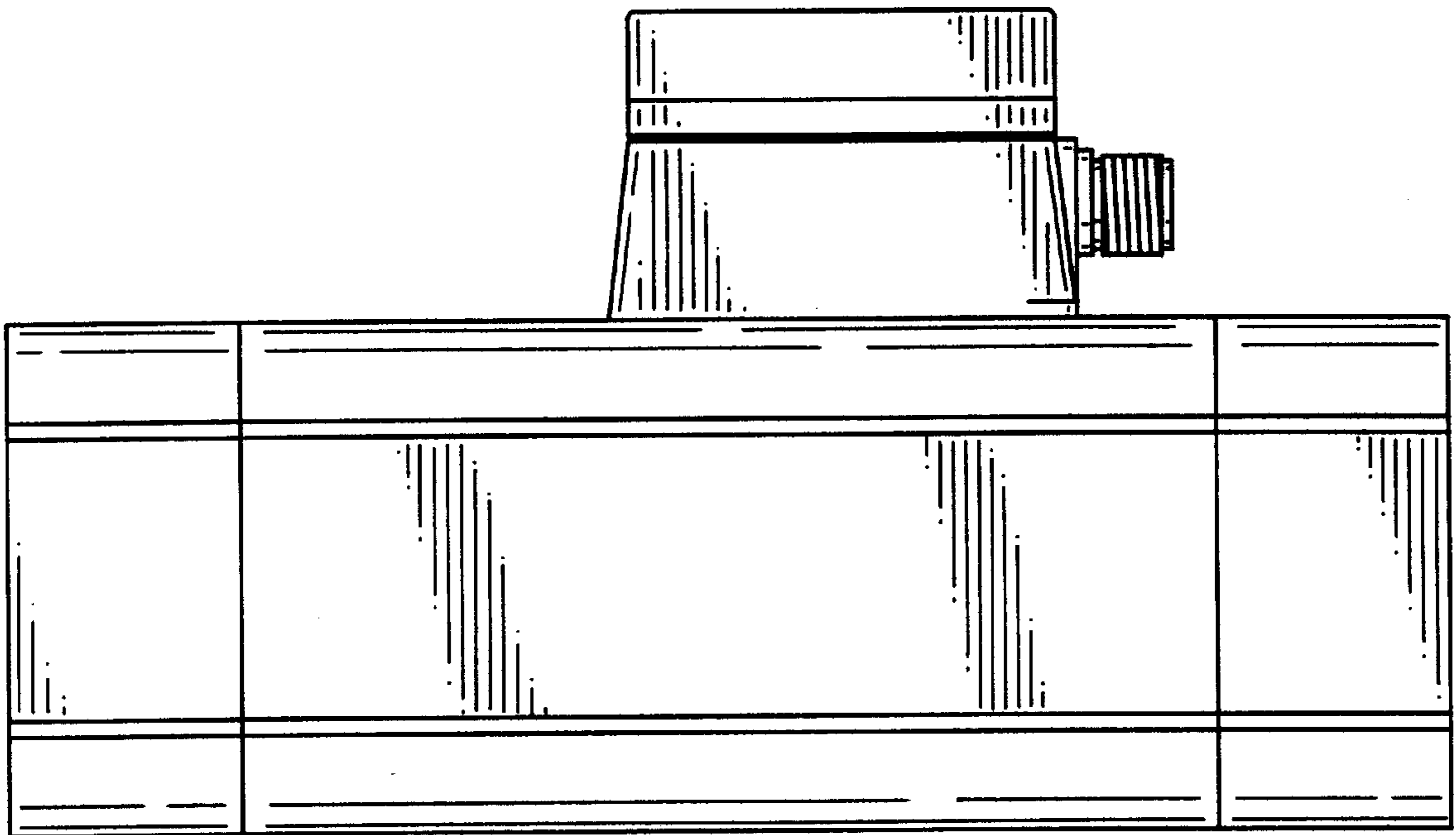


FIG. 3

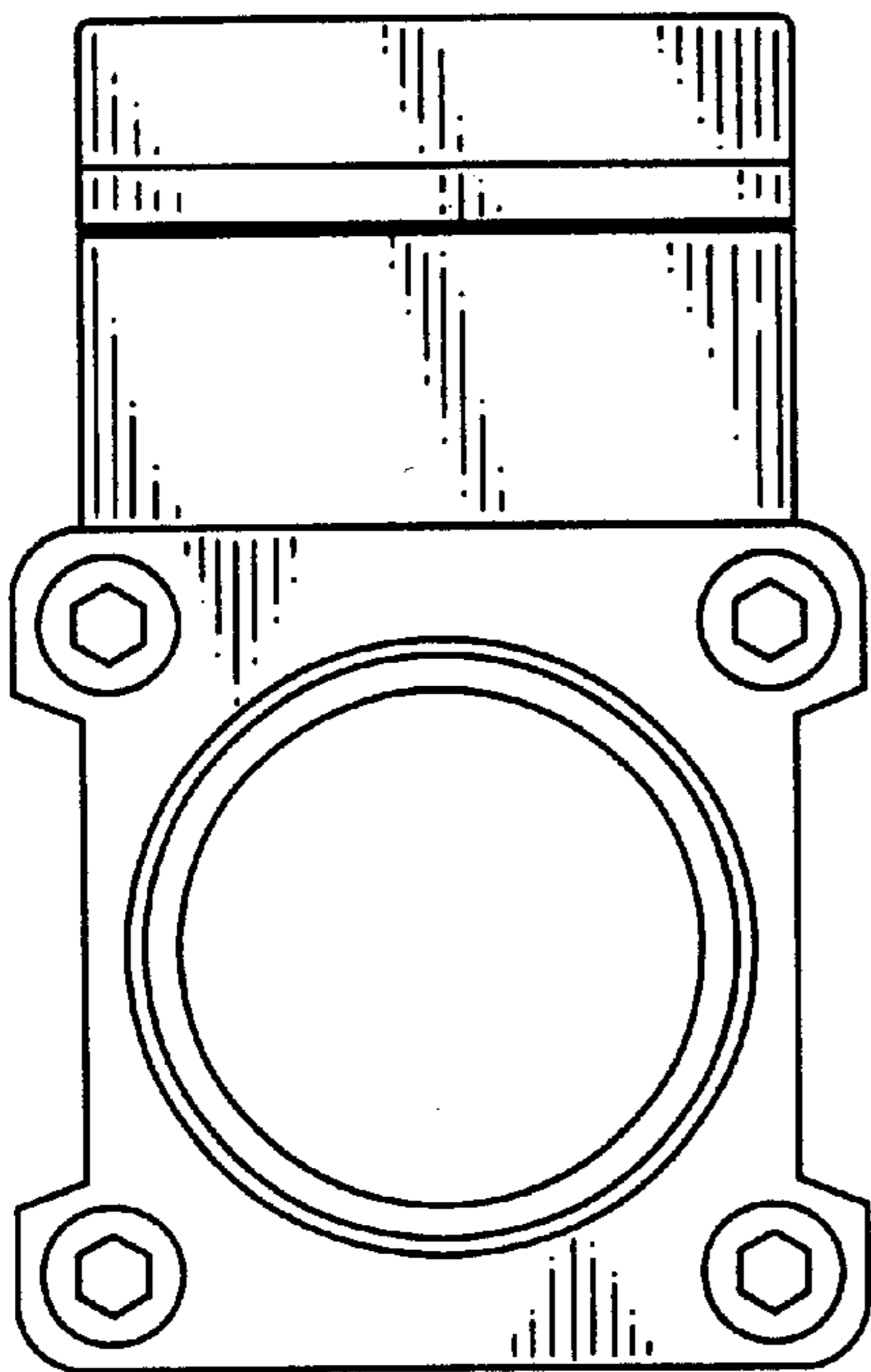


FIG. 4

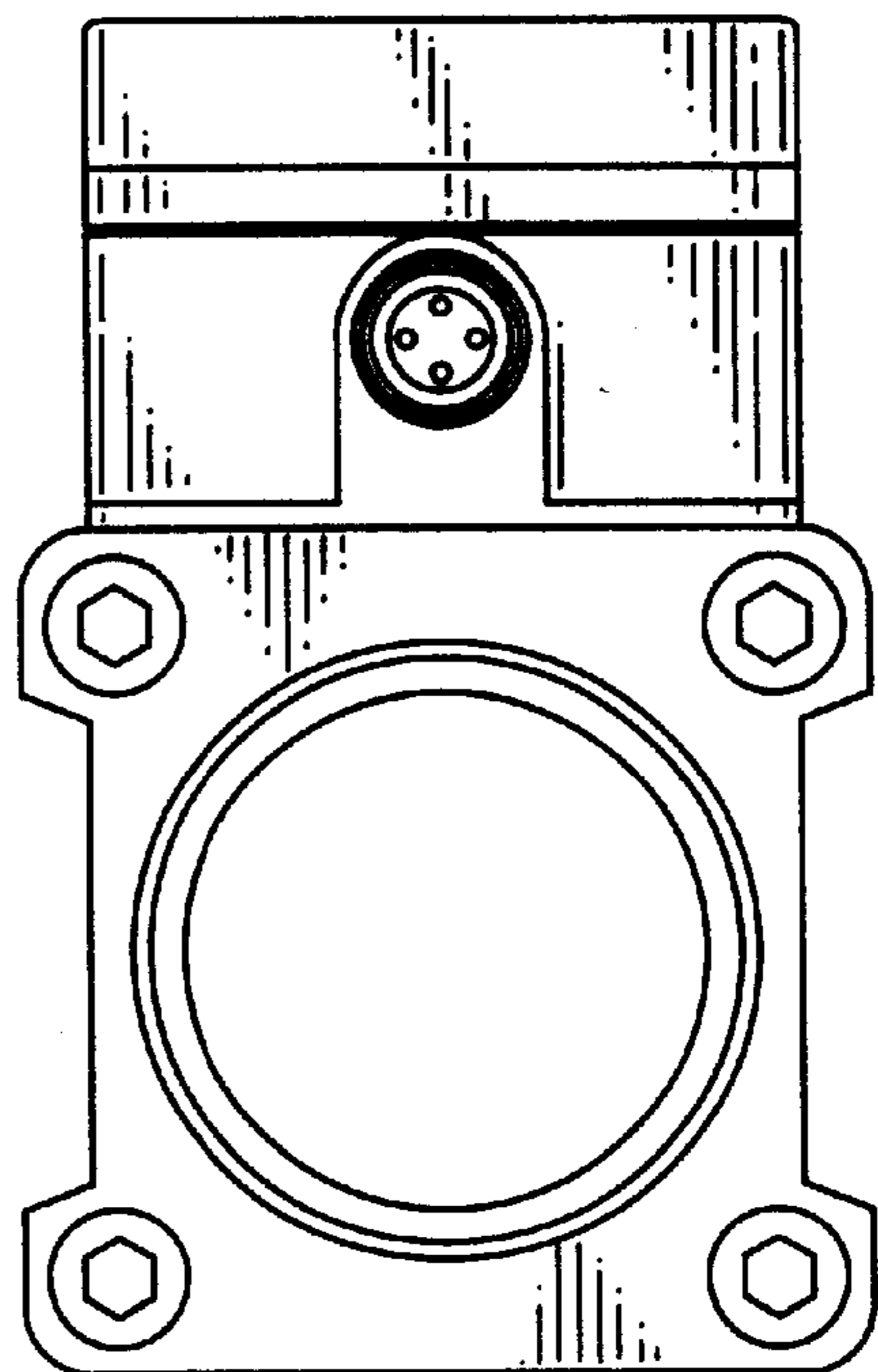


FIG. 5

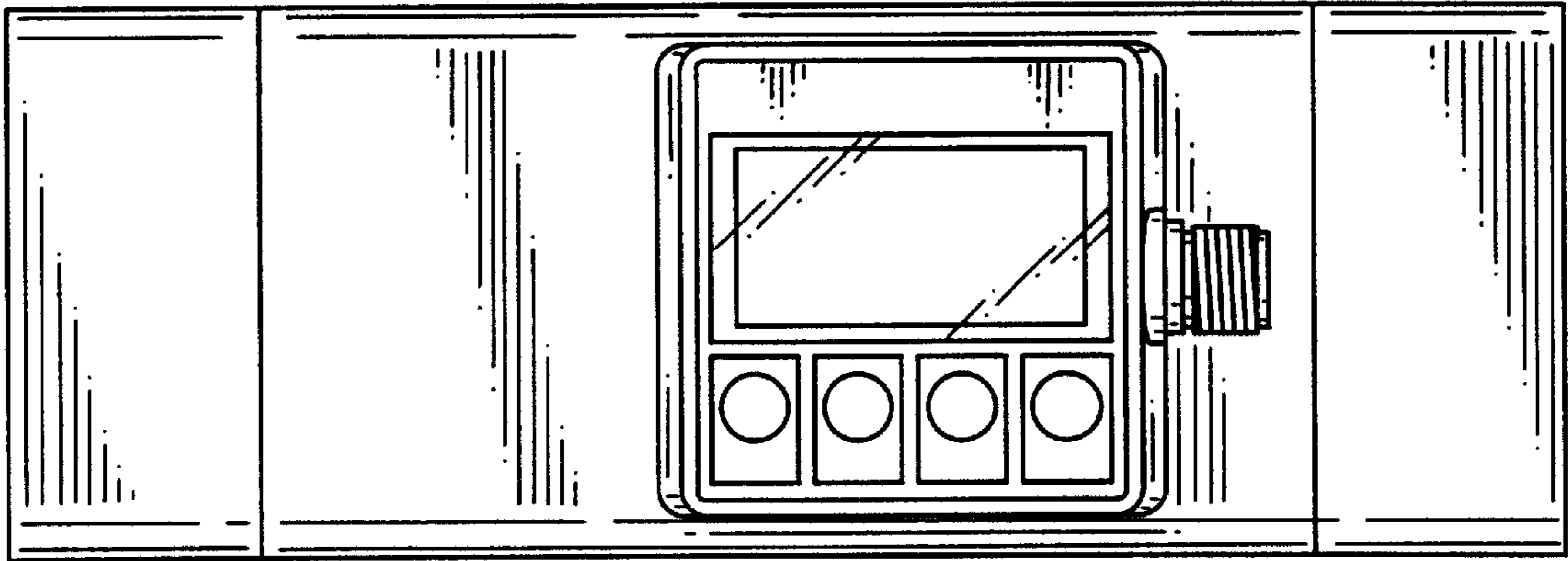


FIG. 6

