



US00D440892S

(12) **United States Design Patent**
Kuramoto

(10) **Patent No.:** **US D440,892 S**

(45) **Date of Patent:** **** Apr. 24, 2001**

(54) **VOLT-OHM-AMMETER**

(75) Inventor: **Masamichi Kuramoto**, Tokyo (JP)

(73) Assignee: **Kyoritsu Electrical Instruments Works, Ltd.**, Tokyo (JP)

(**) Term: **14 Years**

(21) Appl. No.: **29/122,452**

(22) Filed: **Apr. 28, 2000**

(30) **Foreign Application Priority Data**

Mar. 27, 2000 (JP) 12-007362

(51) **LOC (7) Cl.** **10-04**

(52) **U.S. Cl.** **D10/79**

(58) **Field of Search** D10/79; 325/115-117,
325/126-130, 142, 143, 149, 156, 158 P,
158 F

(56) **References Cited**

U.S. PATENT DOCUMENTS

- D. 312,420 11/1990 Kuramoto .
- D. 335,095 4/1993 Kuramoto .
- D. 345,704 * 4/1994 Shirai D10/79
- D. 358,349 5/1995 Kuramoto .

- D. 401,172 11/1998 Kuramoto .
- D. 419,467 * 1/2000 Kaise et al. D10/79
- D. 422,229 4/2000 Kuramoto .
- 4,283,677 * 8/1981 Niwa D10/79 X

* cited by examiner

Primary Examiner—Antoine Duval Davis
(74) *Attorney, Agent, or Firm*—Oblon, Spivak, McClelland, Maier & Neustadt, P.C.

(57) **CLAIM**

The ornamental design for a volt-ohm-ammeter, as shown and described.

DESCRIPTION

FIG. 1 is a front elevational view of a volt-ohm-ammeter, showing my new design;
 FIG. 2 is a right side elevational view thereof;
 FIG. 3 is a left side elevational view thereof;
 FIG. 4 is a rear elevational view thereof;
 FIG. 5 is a top plan view thereof;
 FIG. 6 is a bottom plan view thereof;
 FIG. 7 is a front perspective view thereof, with a core portion in an open state; and,
 FIG. 8 is a top and left front perspective view thereof.

1 Claim, 2 Drawing Sheets

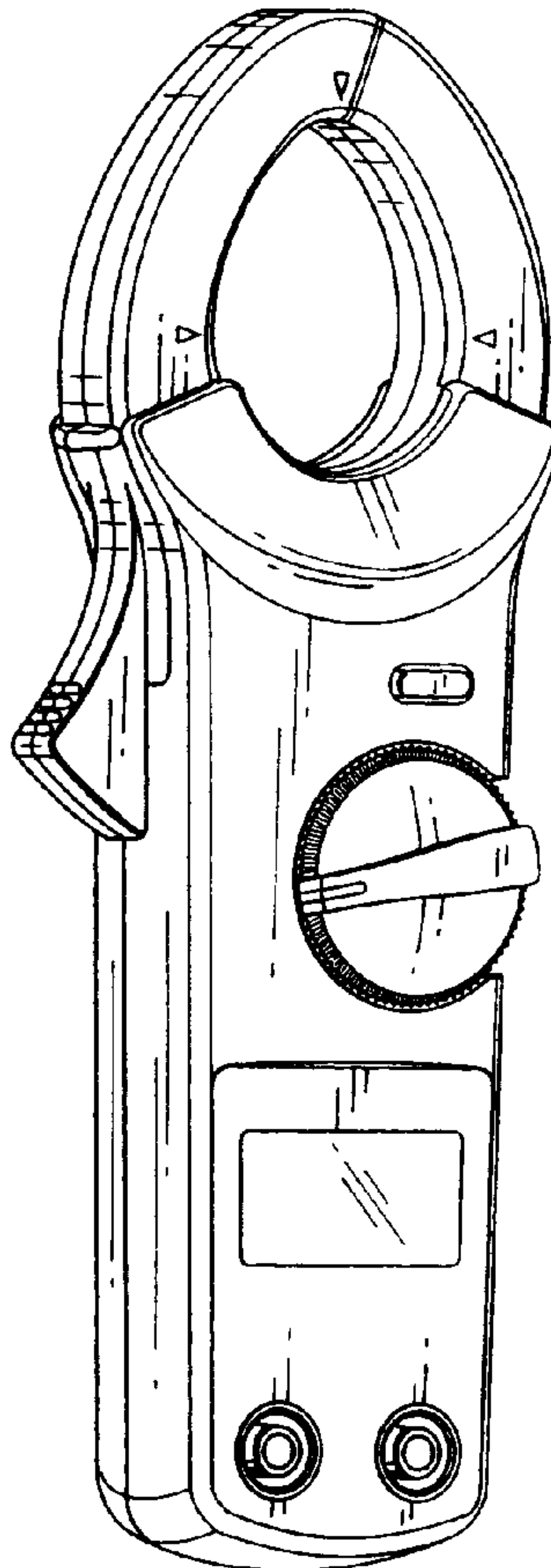


FIG. 1

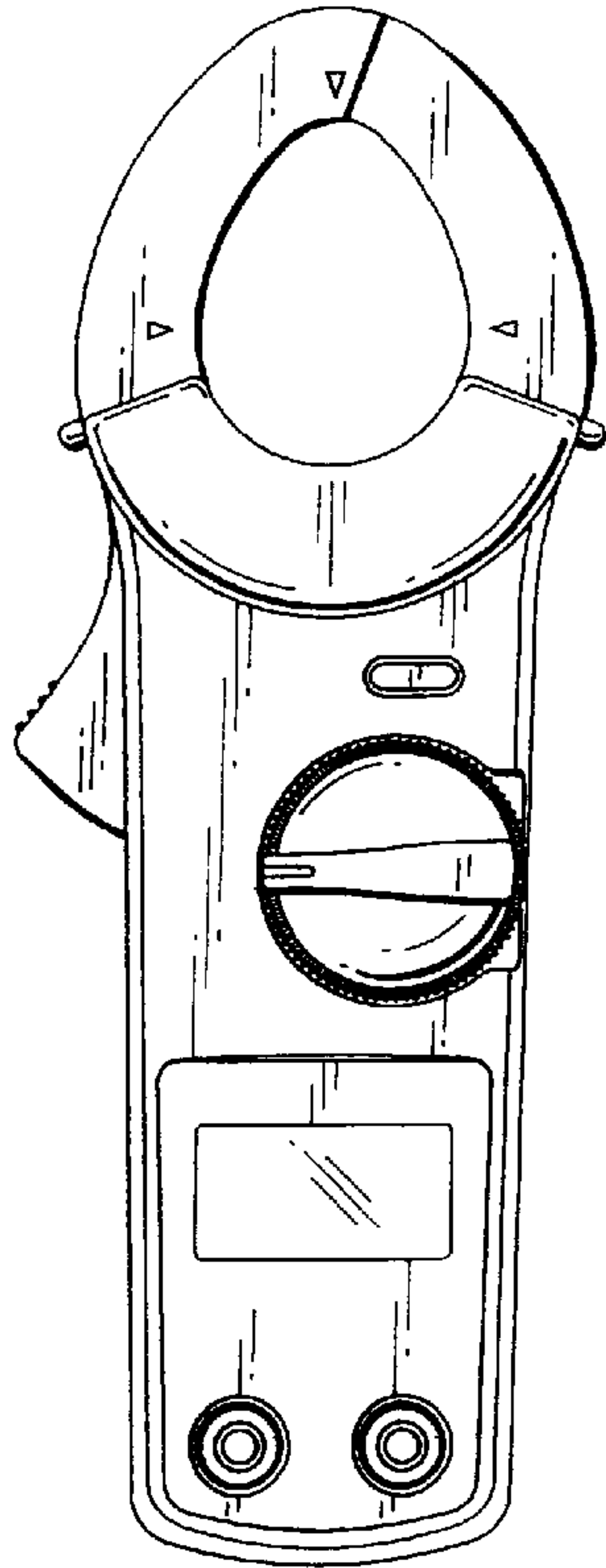


FIG. 2

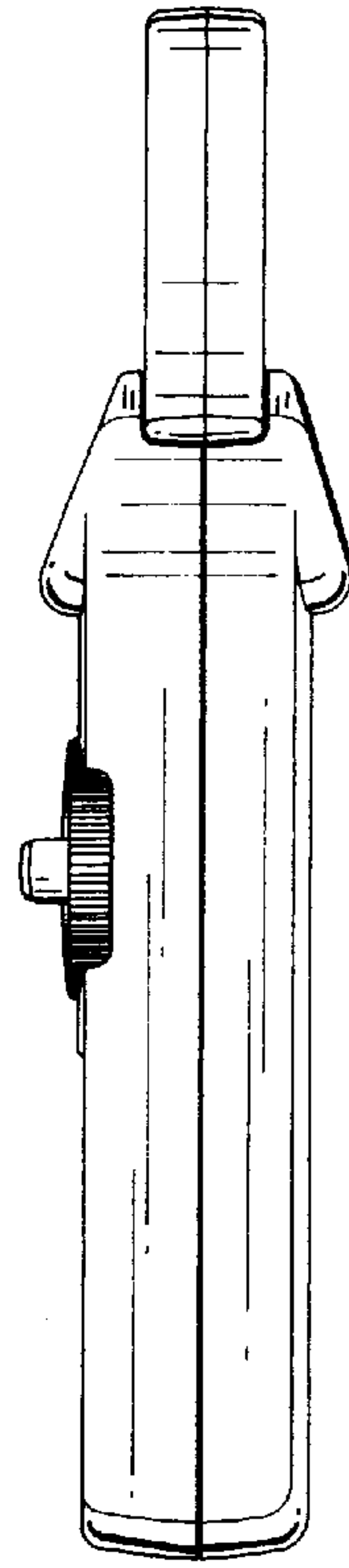


FIG. 3

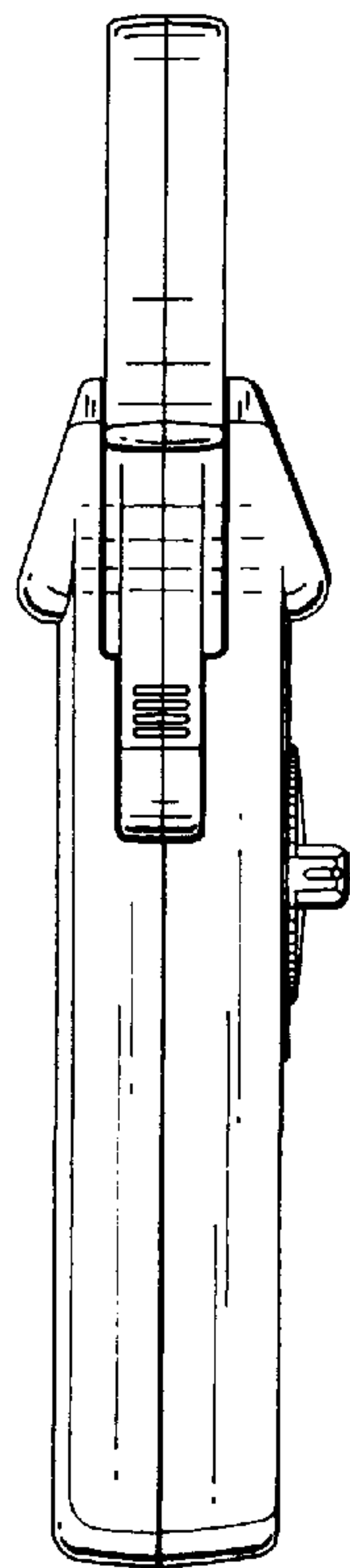


FIG. 4

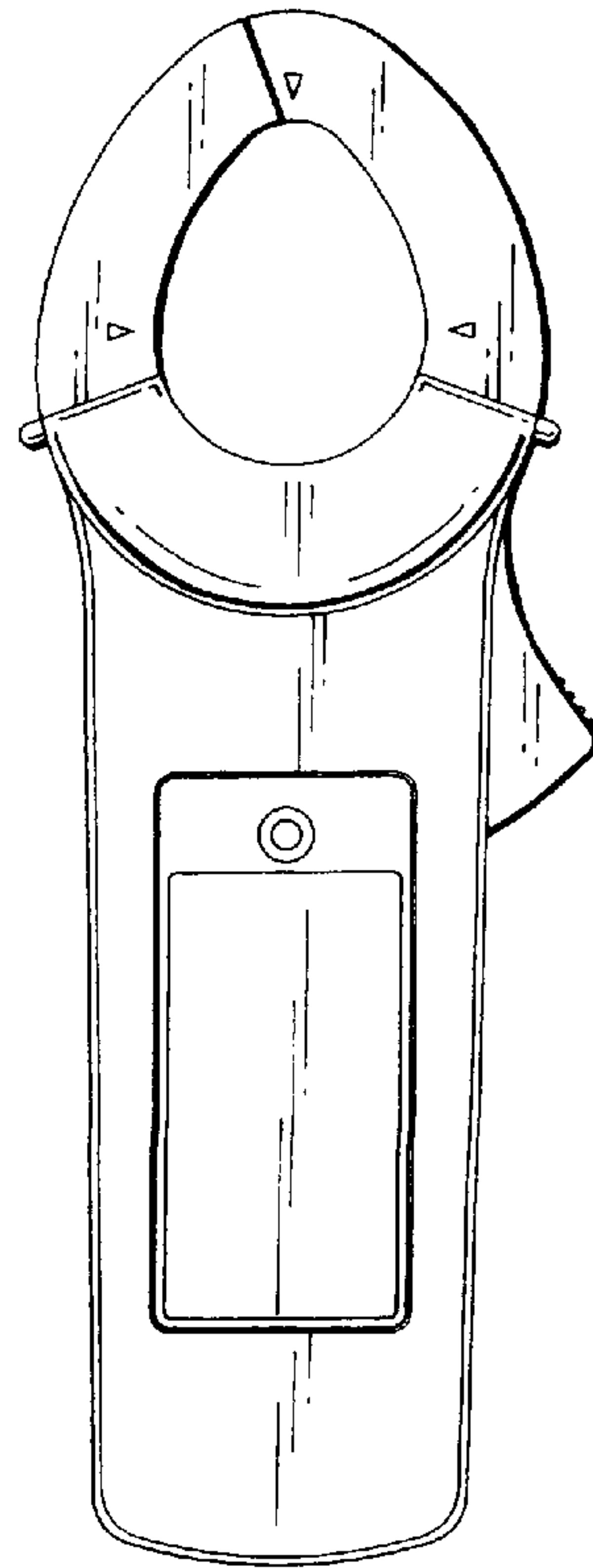


FIG. 5

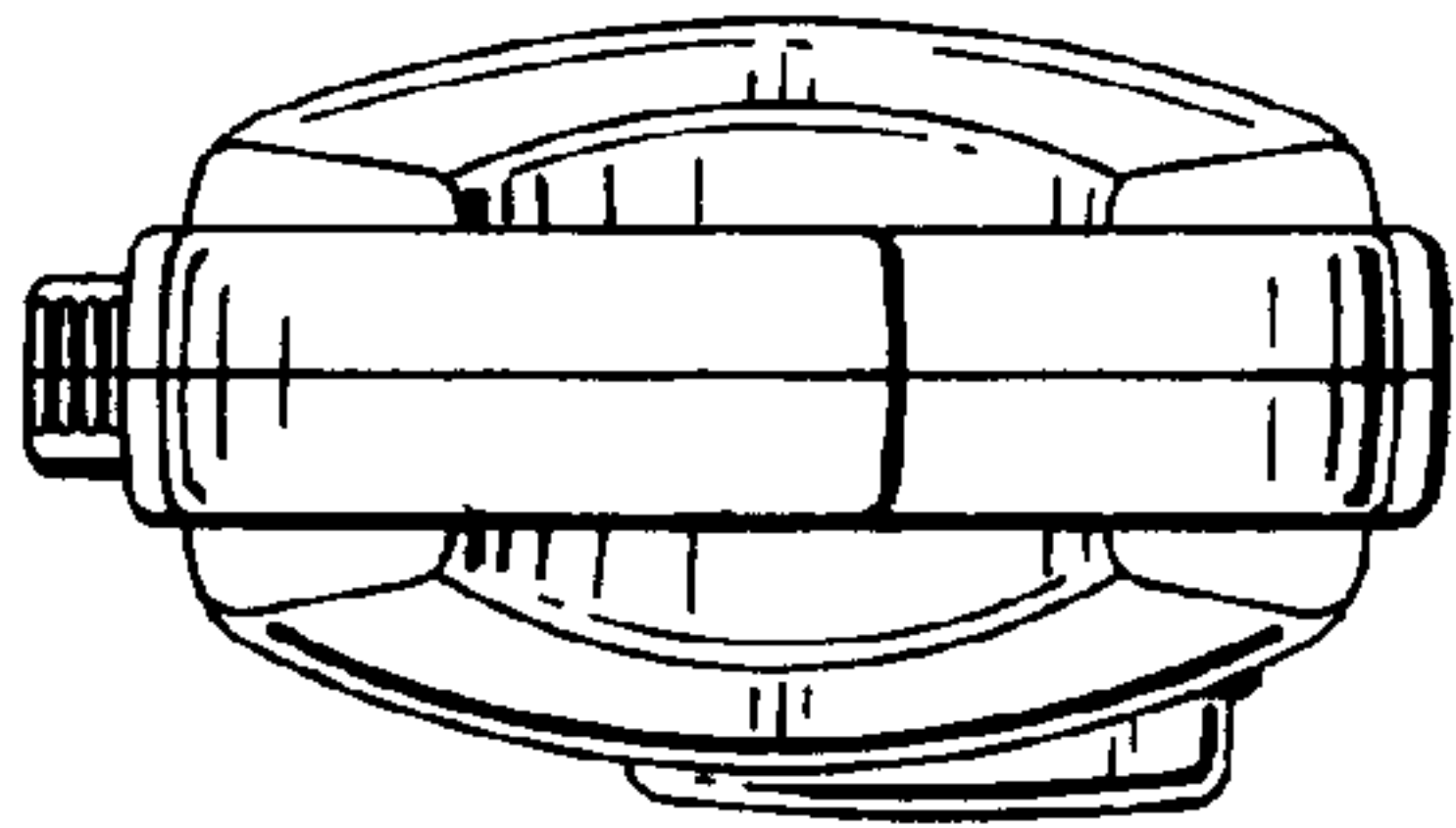


FIG. 6

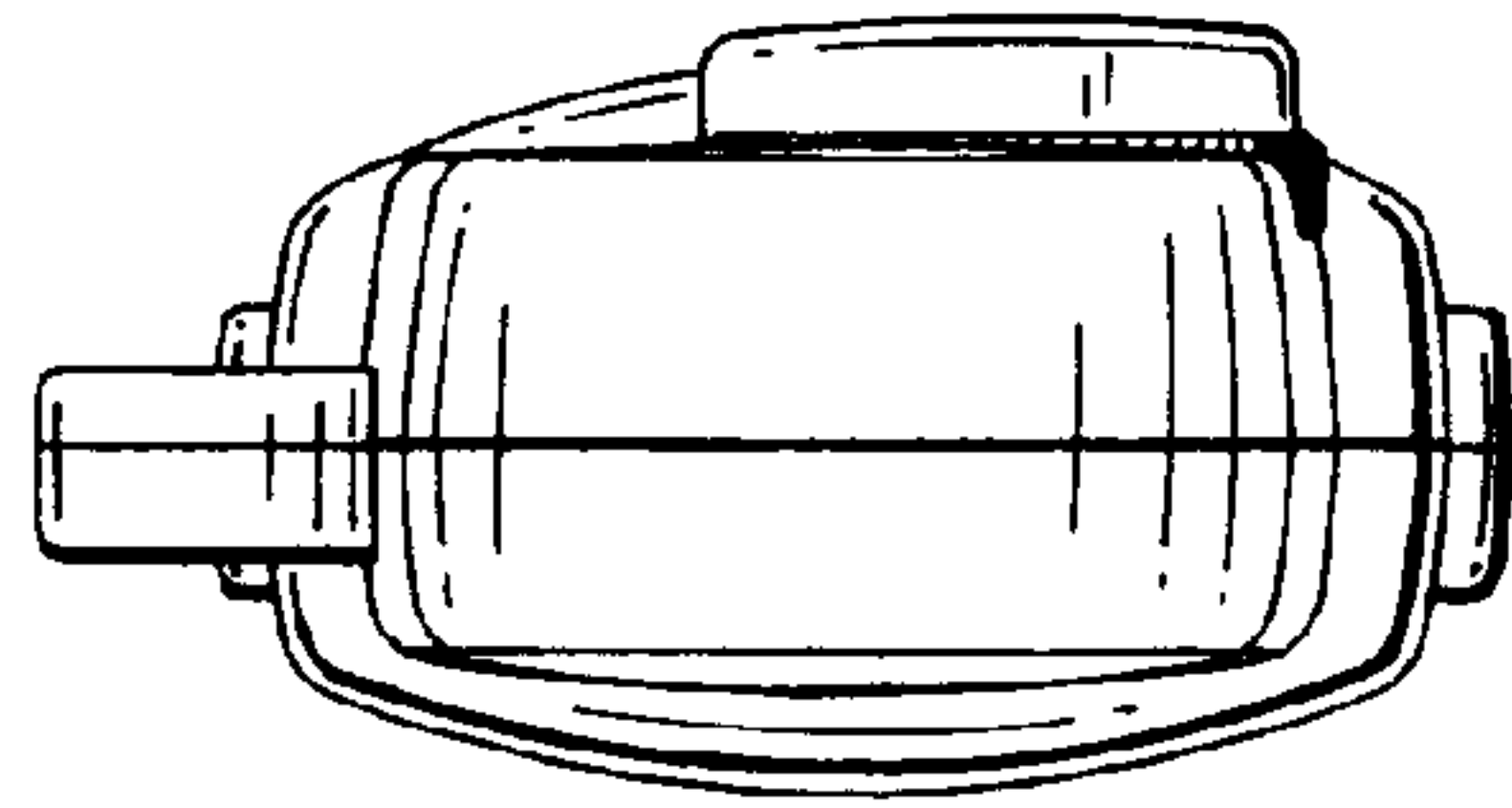


FIG. 7

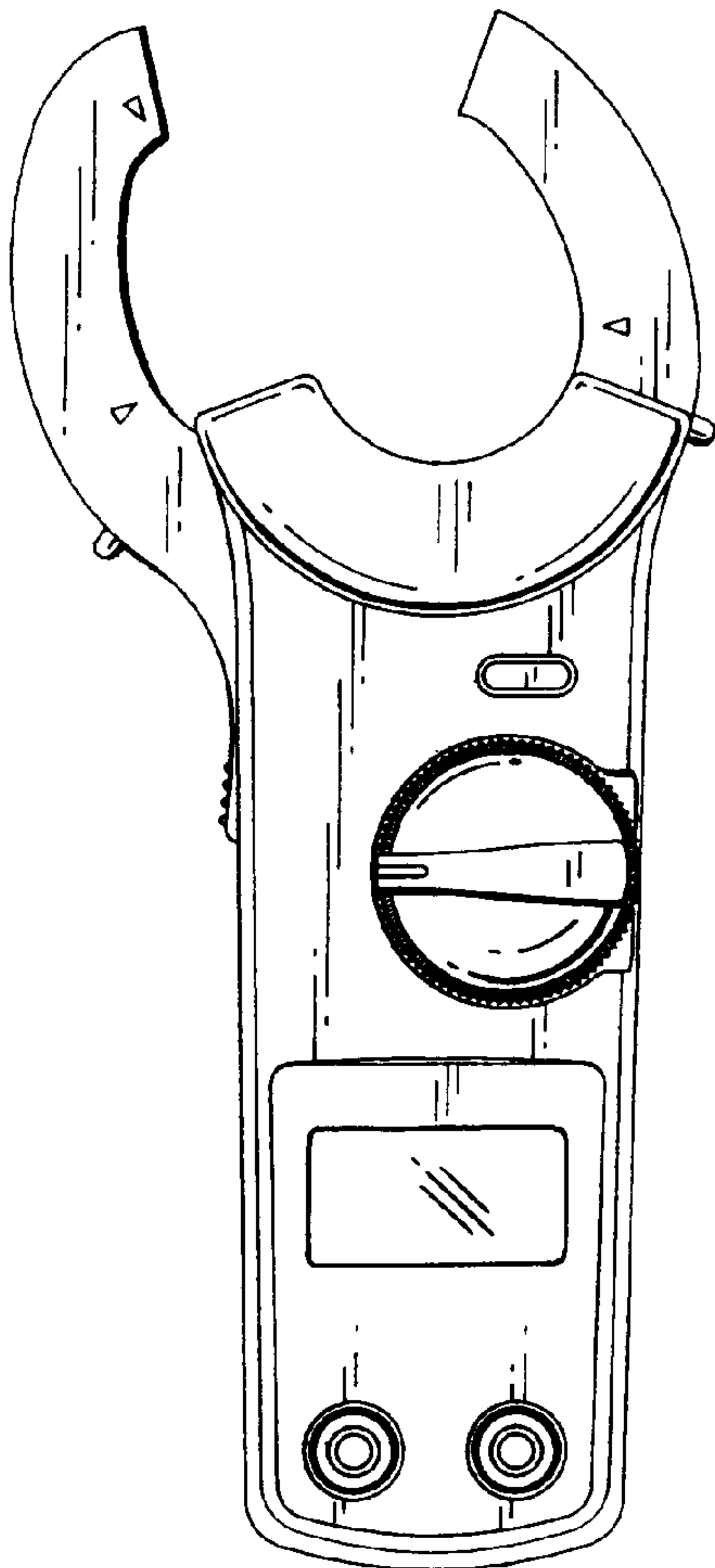


FIG. 8

