



US00D440890S

(12) **United States Design Patent**
Warner et al.

(10) **Patent No.: US D440,890 S**

(45) **Date of Patent: ** Apr. 24, 2001**

(54) **POSITION DETERMINING SYSTEM
INCLUDING POLE-MOUNTED
COMMUNICATION SYSTEM**

D. 396,423 * 7/1998 Ishii D10/65
D. 427,919 * 7/2000 Laverick et al. D10/65

* cited by examiner

(75) Inventors: **Jack S. Warner; Jason C.
Chamberlain**, both of San Jose;
Bradley J. Hamel, Santa Clara, all of
CA (US)

Primary Examiner—Antoine Duval Davis
(74) *Attorney, Agent, or Firm*—Wagner, Murabito & Hao
LLP

(73) Assignee: **Trimble Navigation Limited**,
Sunnyvale, CA (US)

(57) **CLAIM**

(**) Term: **14 Years**

The ornamental design for a position determining system
including pole-mounted communication system, as shown
and described.

(21) Appl. No.: **29/121,013**

DESCRIPTION

(22) Filed: **Mar. 30, 2000**

(51) **LOC (7) Cl.** **10-04**

(52) **U.S. Cl.** **D10/65; D10/78**

(58) **Field of Search** D10/65, 78; 73/128;
340/995; 342/98, 102, 113, 115, 352, 356,
357, 359, 417-421; 364/200, 434, 443,
444, 449, 451, 708.1, 709.11

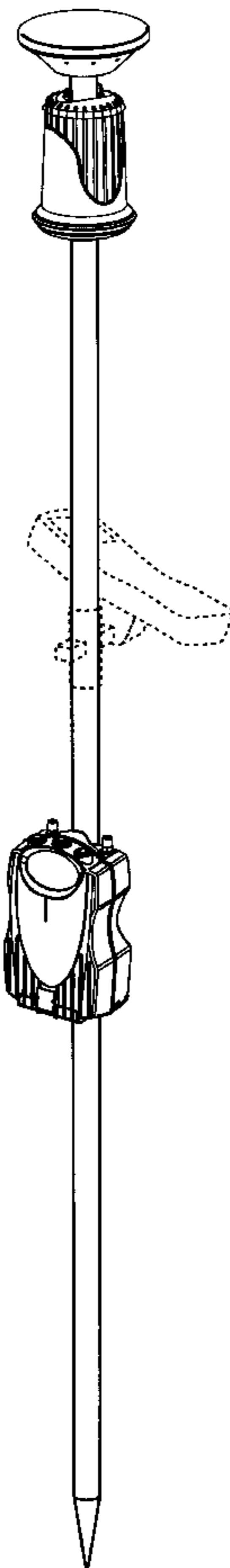
FIG. 1 is an upper right front perspective view, of the
position determining system including pole-mounted com-
munication system comprising the present invention;
FIG. 2 is a lower left rear perspective view thereof;
FIG. 3 is a right side elevational view thereof;
FIG. 4 is a front elevational view thereof;
FIG. 5 is a left side elevational view thereof;
FIG. 6 is a rear elevational view thereof;
FIG. 7 is a top plan view thereof; and,
FIG. 8 is a bottom plan view thereof.

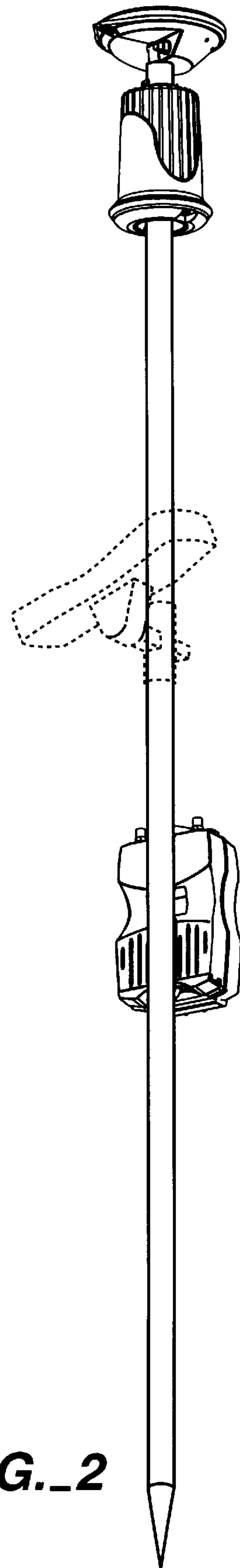
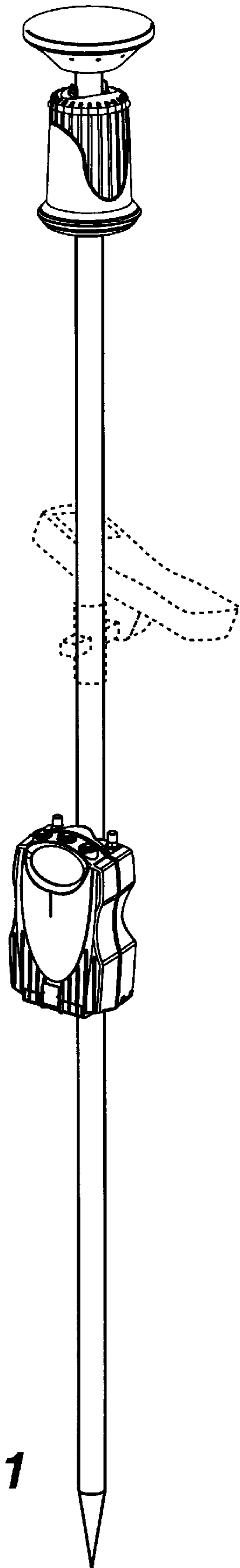
(56) **References Cited**

U.S. PATENT DOCUMENTS

D. 386,152 11/1997 Warneke D14/100

1 Claim, 3 Drawing Sheets





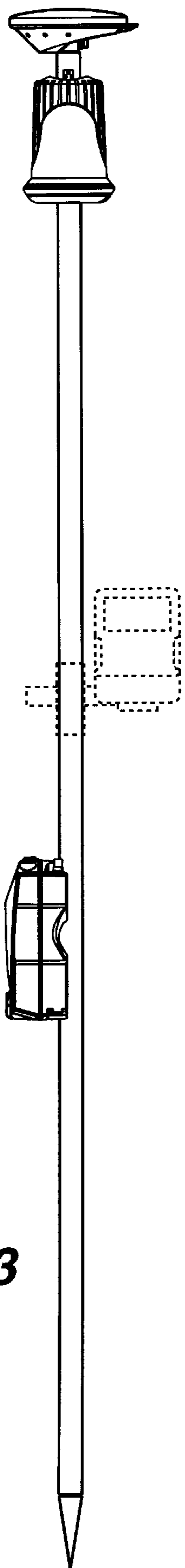


FIG._3

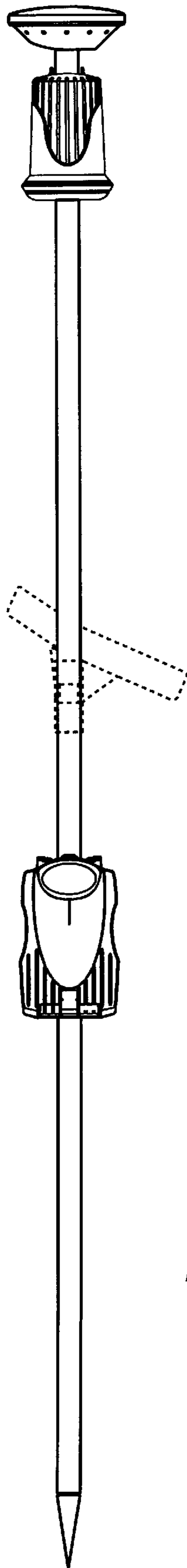


FIG._4

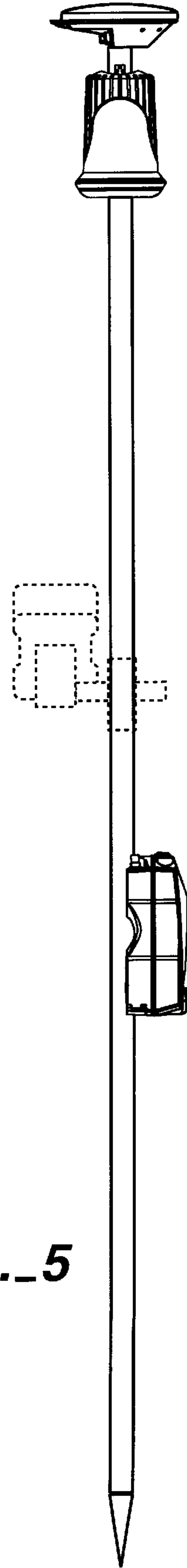


FIG._5

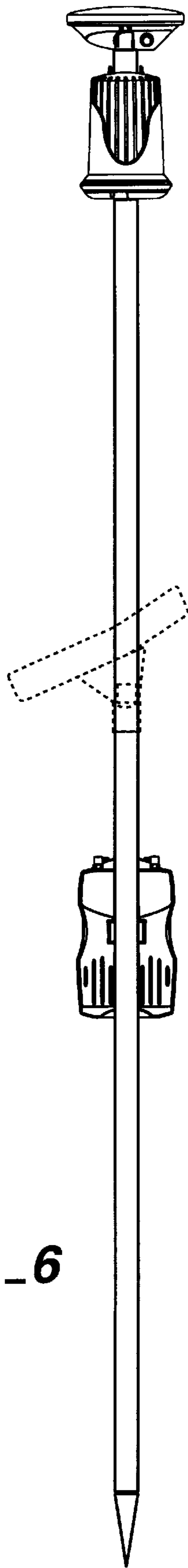


FIG._6

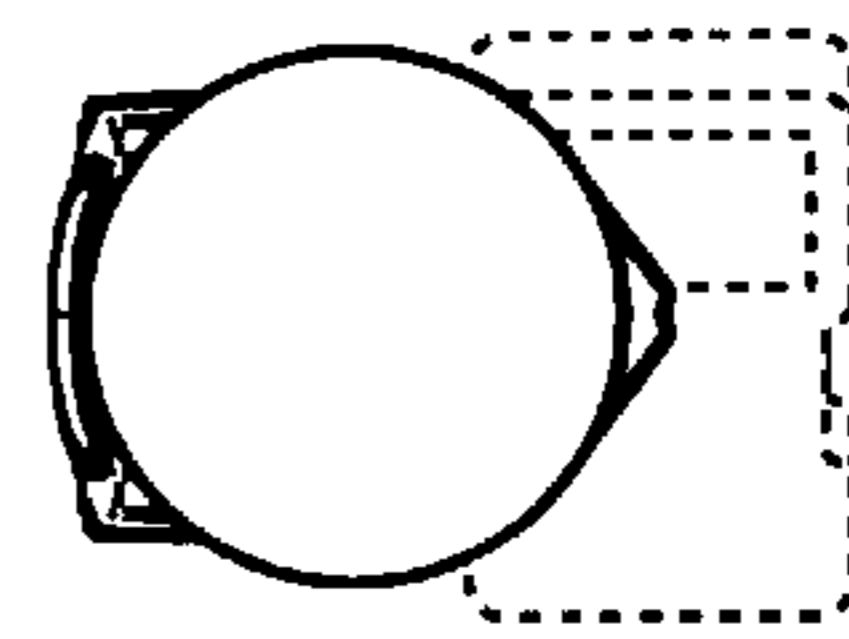


FIG._7

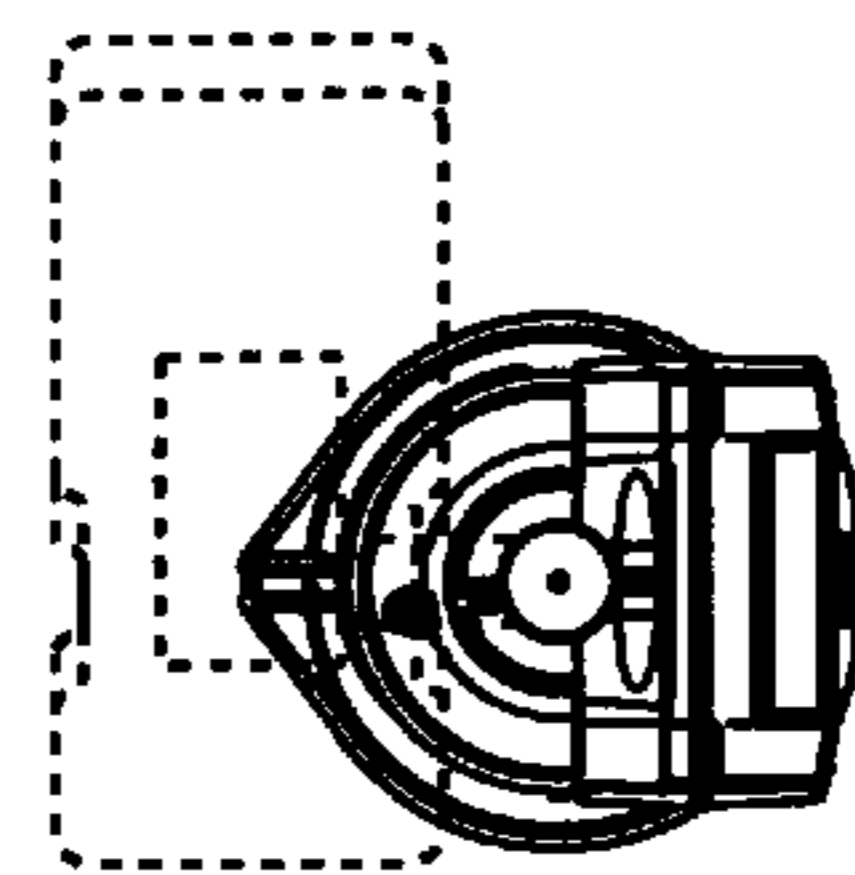


FIG._8