



US00D440885S

(12) **United States Design Patent**
Streltsov

(10) **Patent No.:** **US D440,885 S**

(45) **Date of Patent:** **** Apr. 24, 2001**

(54) **WATCH CASING AND BEZEL**

(75) **Inventor:** **Sergei Streltsov, London (GB)**

(73) **Assignee:** **Timex Corporation, Middlebury, CT (US)**

(**) **Term:** **14 Years**

(21) **Appl. No.:** **29/126,664**

(22) **Filed:** **Jul. 20, 2000**

(51) **LOC (7) Cl.** **10-02**

(52) **U.S. Cl.** **D10/30; D10/38**

(58) **Field of Search** **D10/1-40, 122-132; 368/280-282, 276-277, 28-30, 285, 239-242, 82-84, 41-44**

(56) **References Cited**

U.S. PATENT DOCUMENTS

- D. 383,396 * 9/1997 Houlihan D10/30
- D. 411,115 * 6/1999 Houlihan et al. D10/30
- D. 415,708 * 10/1999 Yanku D10/128
- D. 418,442 * 1/2000 Yanku D10/128
- D. 424,451 5/2000 Houlihan .

- D. 425,799 * 5/2000 Hysek D10/32
- D. 427,083 * 6/2000 Yamamoto D10/30
- D. 428,346 * 7/2000 Goto et al. D10/30
- D. 433,342 * 11/2000 Fox D10/30

* cited by examiner

Primary Examiner—Nelson C. Holtje

(74) *Attorney, Agent, or Firm*—Carmody & Torrance LLP

(57) **CLAIM**

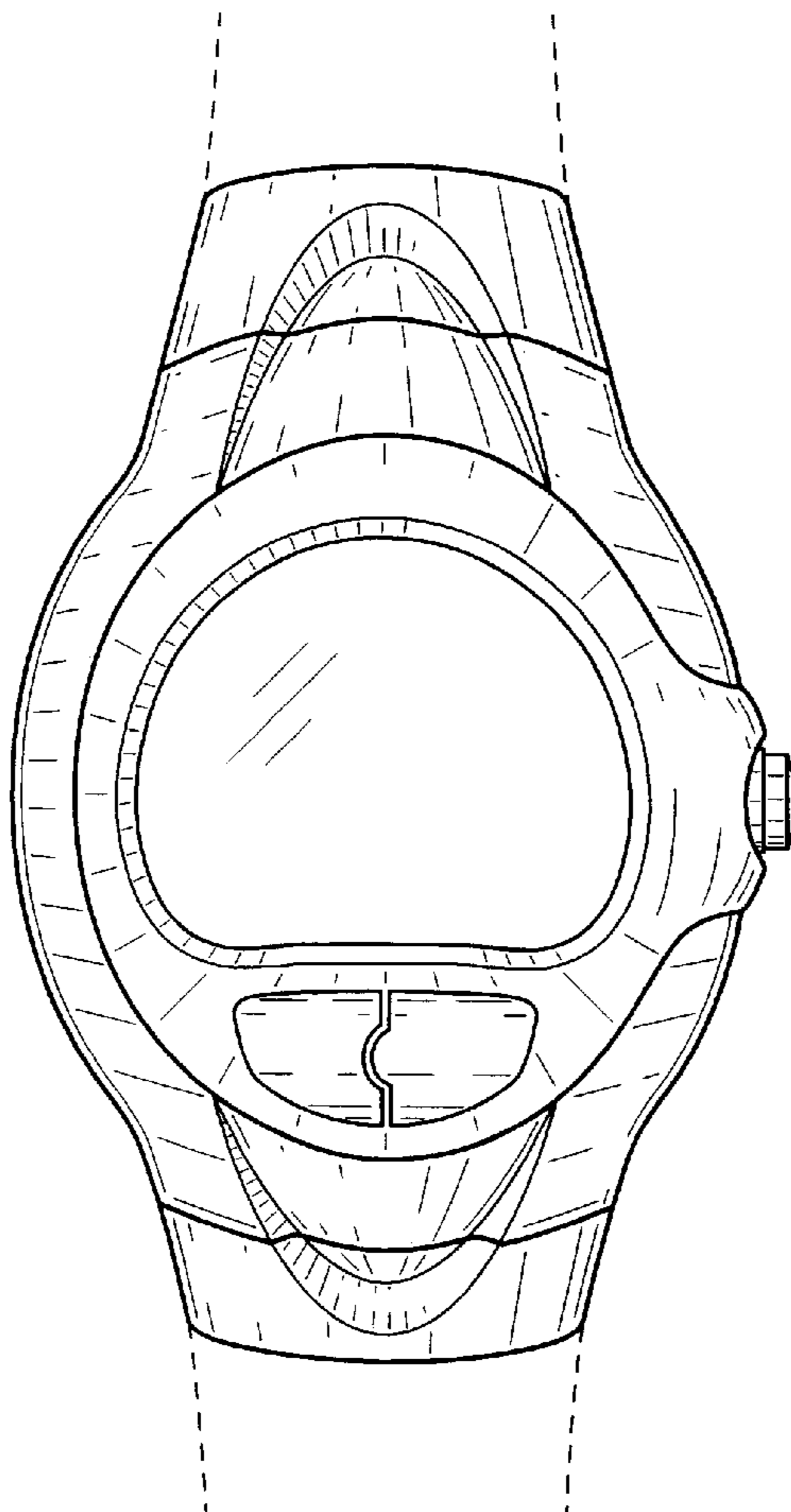
The ornamental design for a watch casing and bezel, as shown and described.

DESCRIPTION

FIG. 1 is a perspective view of a watch casing and bezel showing my new design;
 FIG. 2 is a left side elevational view thereof;
 FIG. 3 is a top plan view thereof;
 FIG. 4 is a right side elevational view thereof;
 FIG. 5 is a first end elevational view thereof;
 FIG. 6 is a second end elevational view thereof; and,
 FIG. 7 is a bottom plan view.

The broken line showings are for illustrative purposes only and form no part of the claimed design.

1 Claim, 4 Drawing Sheets



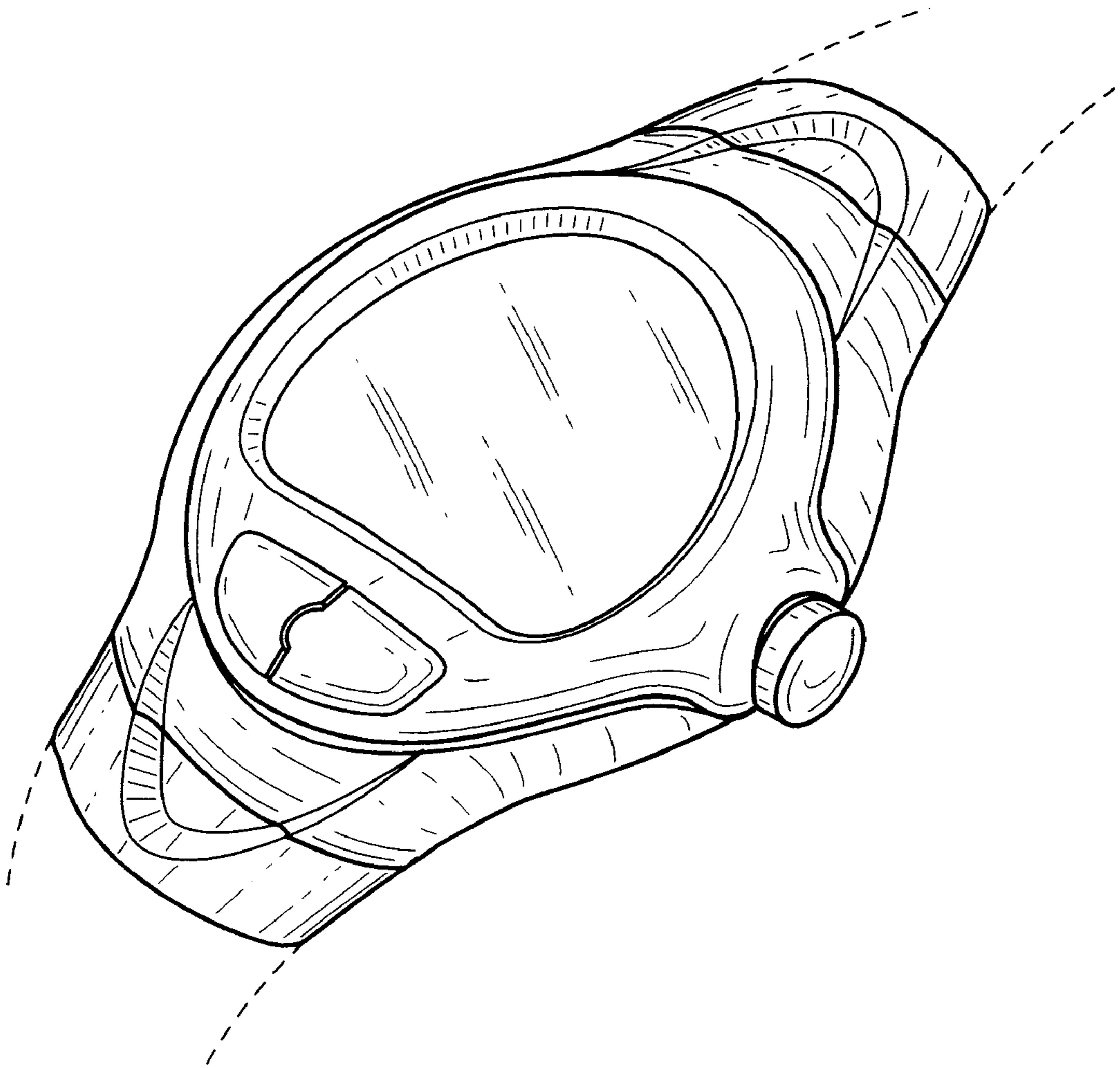


FIG. 1

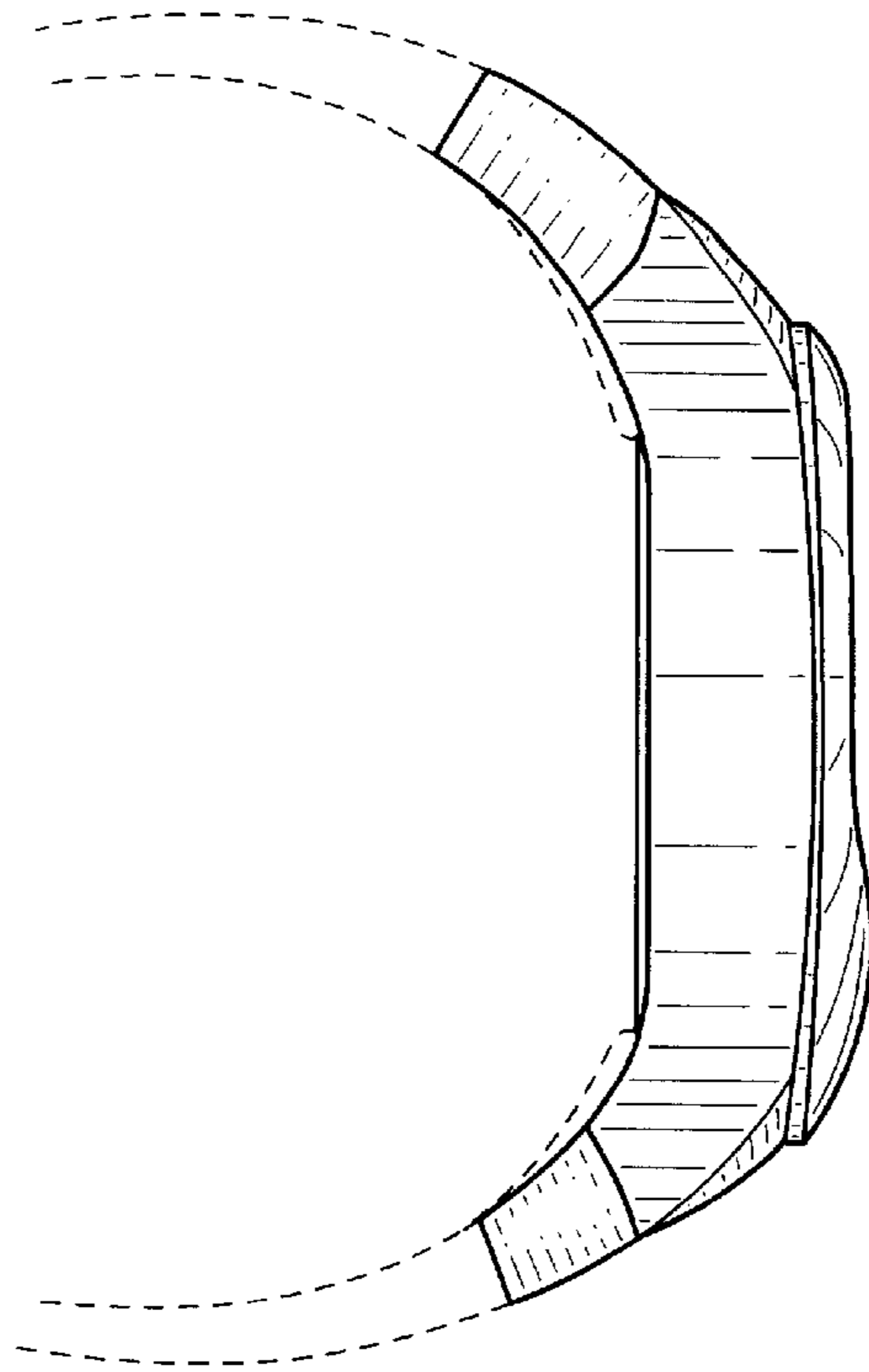


FIG. 2

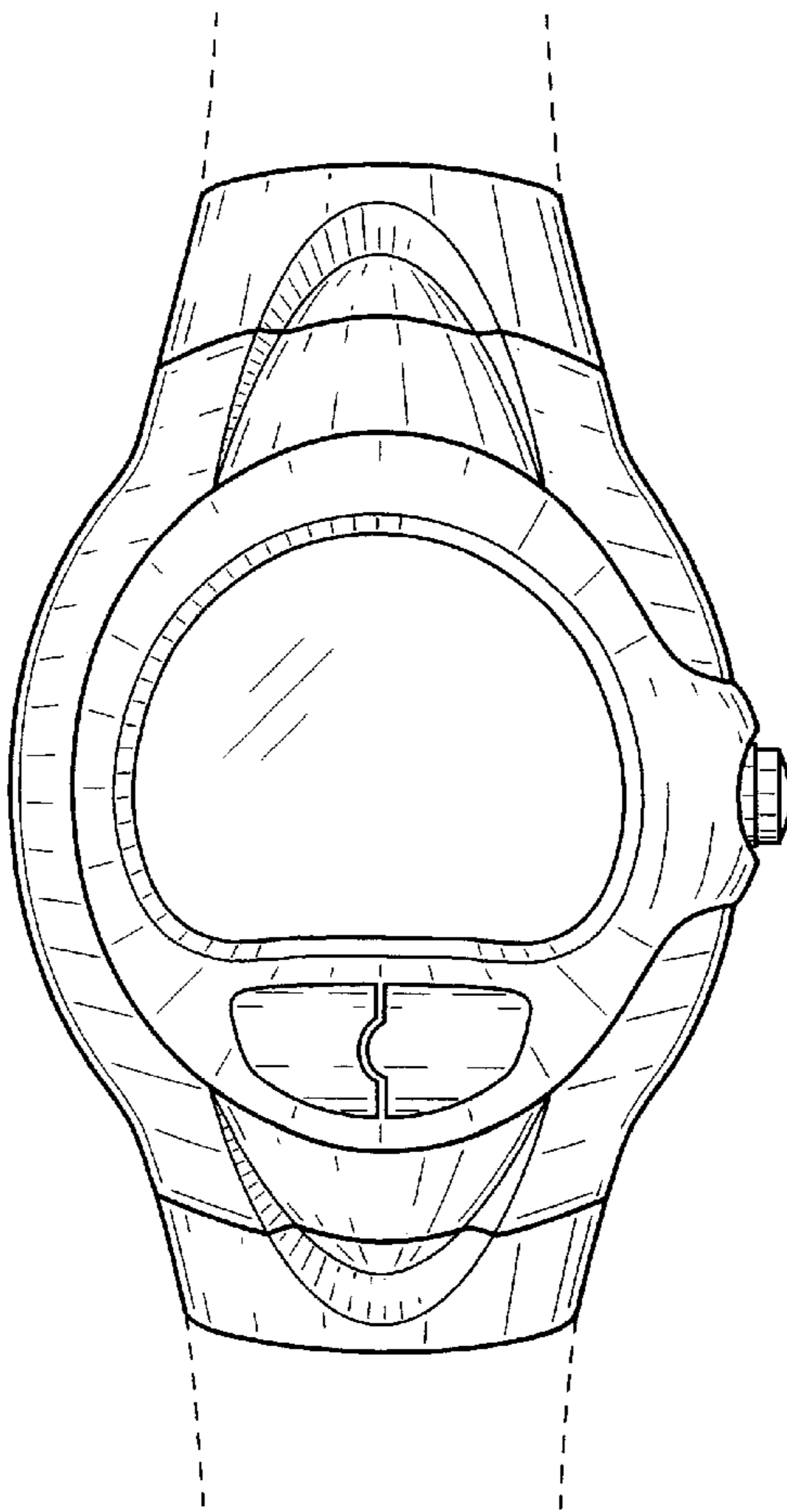


FIG. 3

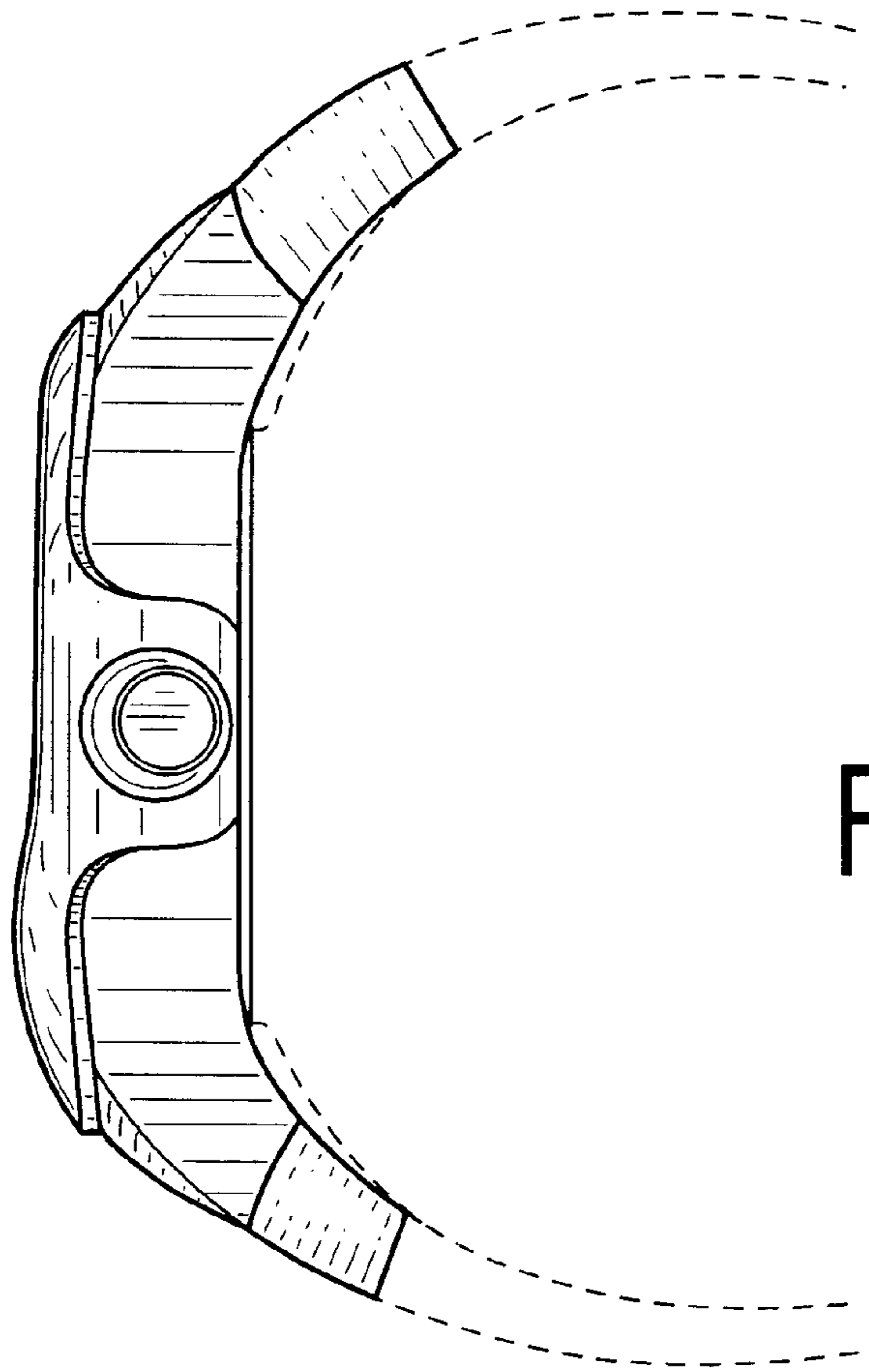


FIG. 4

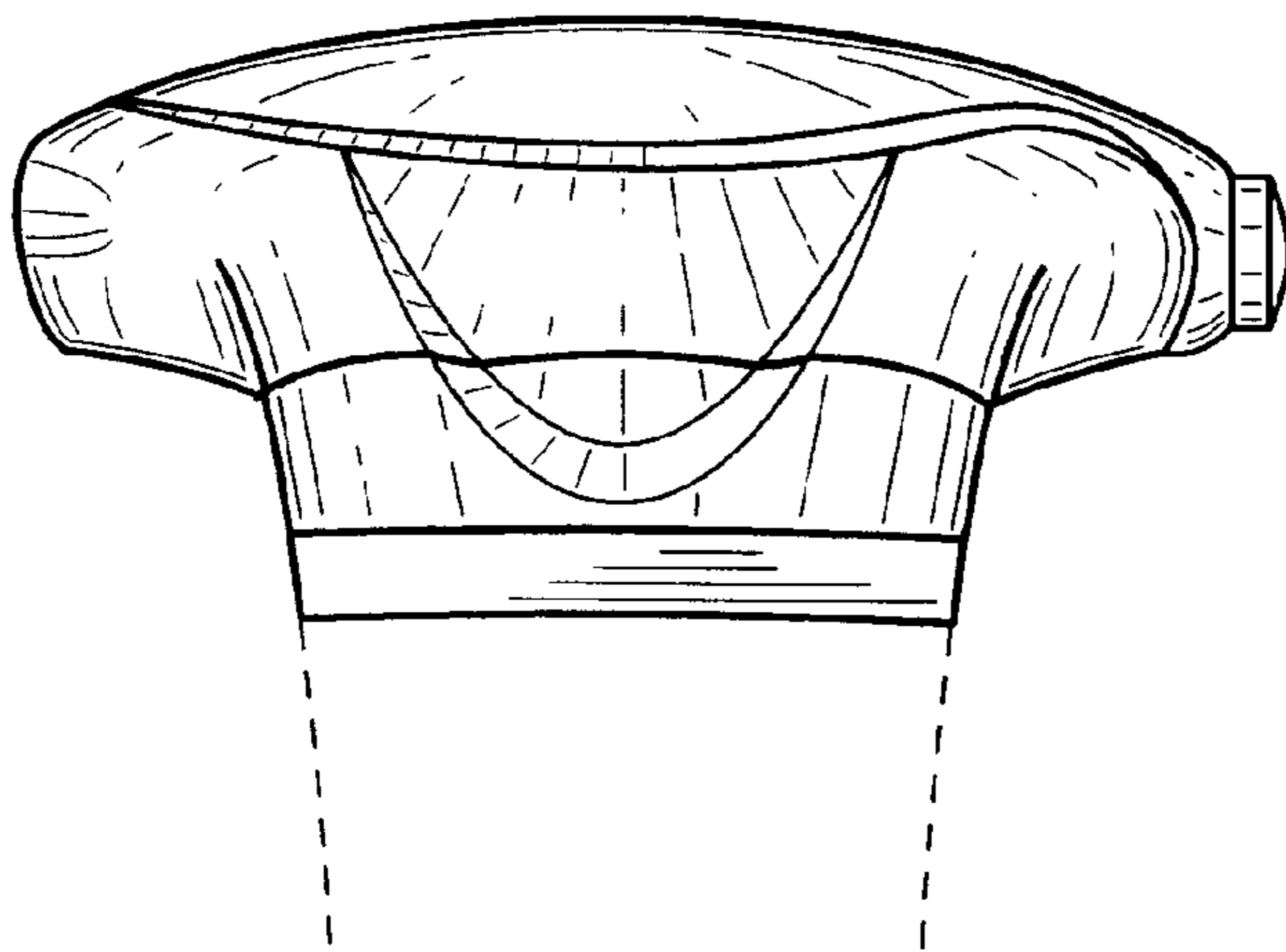


FIG. 5

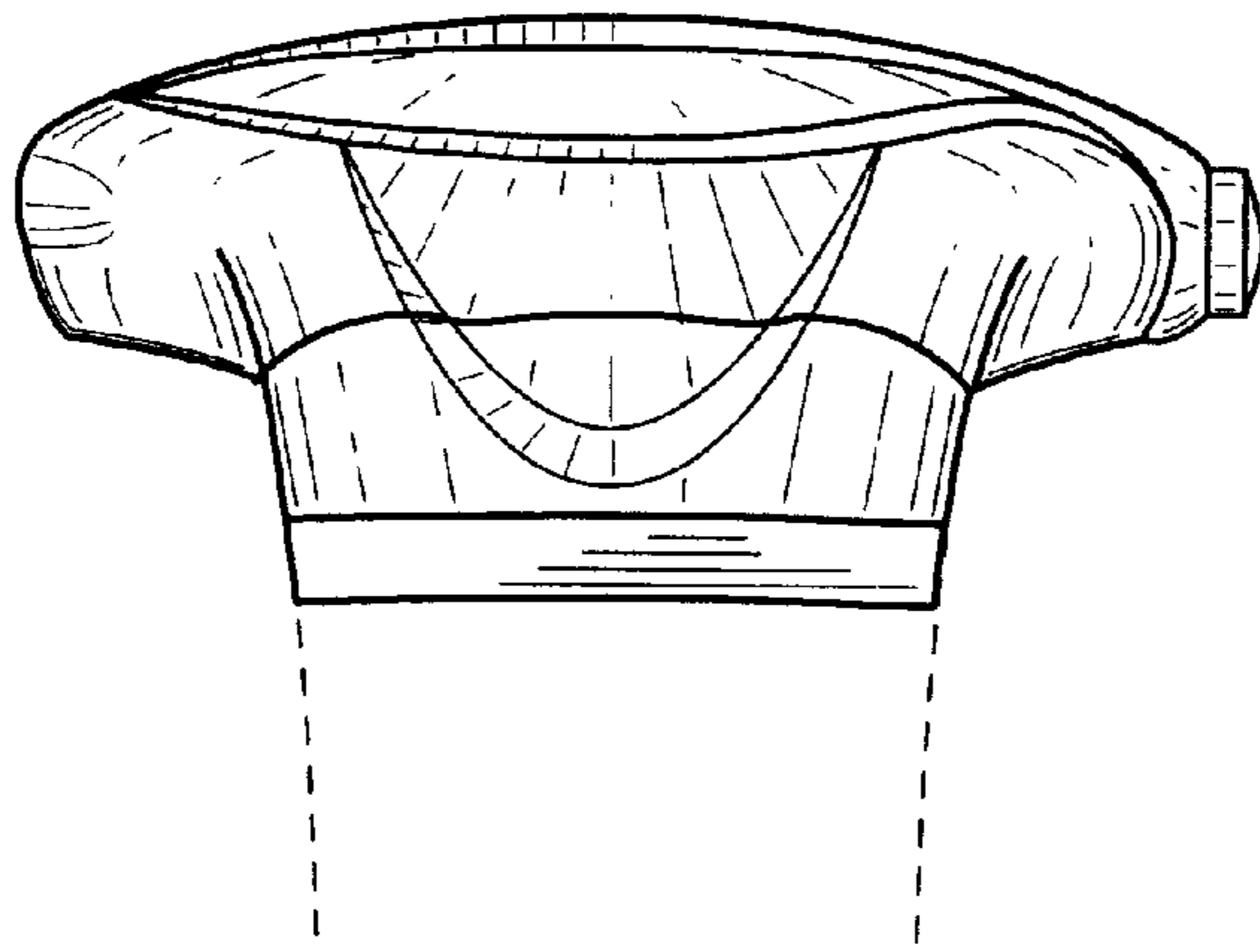


FIG. 6

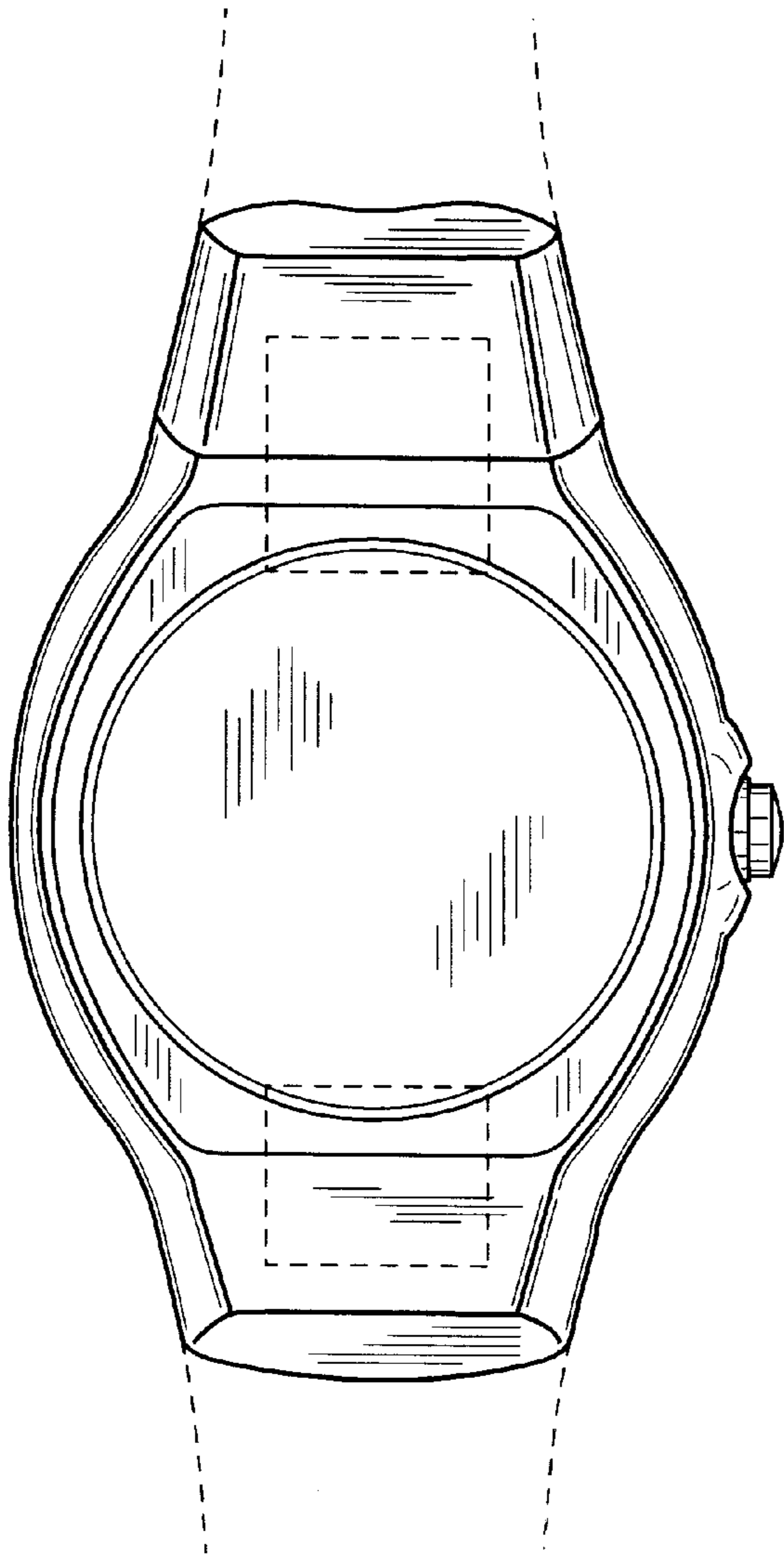


FIG. 7