



US00D440883S

(12) **United States Design Patent**
Wilson, Jr.

(10) **Patent No.:** **US D440,883 S**

(45) **Date of Patent:** **** Apr. 24, 2001**

(54) **DESK CLOCK FAN**

(75) **Inventor:** **Rodney A Wilson, Jr.,** Wilmington, DE
(US)

(73) **Assignee:** **Lasko Holdings, Inc.,** West Chester, PA
(US)

(**) **Term:** **14 Years**

(21) **Appl. No.:** **29/110,722**

(22) **Filed:** **Sep. 13, 1999**

(51) **LOC (7) Cl.** **10-01**

(52) **U.S. Cl.** **D10/2**

(58) **Field of Search** D10/1-40, 122-132;
D23/332, 370, 381-382; 368/276-277,
285, 316-317, 10; 416/142, 146, 147 R

(56) **References Cited**

U.S. PATENT DOCUMENTS

D. 311,340	*	10/1990	Armstrong	D10/2
D. 349,570	*	8/1994	Radtke, Jr.	D23/382
D. 364,816	*	12/1995	Lin	D10/15
D. 369,403	*	4/1996	Reveal et al.	D23/381
D. 395,080	*	6/1998	Jane et al.	D23/382
D. 398,387	*	9/1998	Wan	D23/328

D. 402,208	*	12/1998	Jones	D10/2
D. 418,910	*	1/2000	Gould	D23/324
1,301,939	*	4/1919	Hotz	.	
4,341,151	*	7/1982	Sakamoto	.	
4,412,478	*	11/1983	Osher et al.	454/195

OTHER PUBLICATIONS

Home Furn. Daily—Sep. 17, 1984—p. 63—fan and timer at top-left.*

* cited by examiner

Primary Examiner—Nelson C. Holtje

(74) *Attorney, Agent, or Firm*—Zachary T. Wobensmith, III

(57) **CLAIM**

The ornamental design for a desk clock fan, as shown.

DESCRIPTION

FIG. 1 is a perspective view of a desk clock fan showing my new design;

FIG. 2 is a front elevational view thereof;

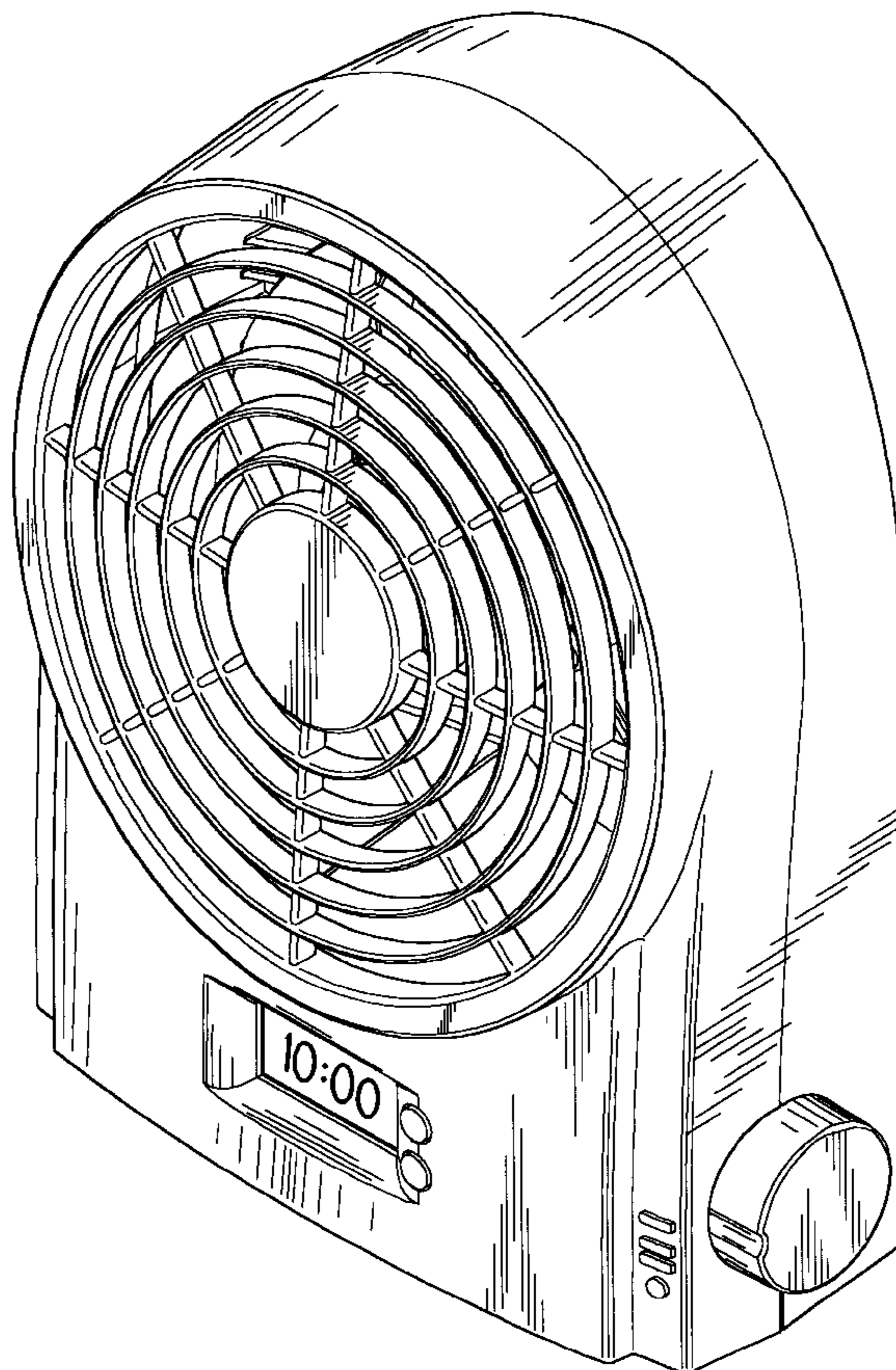
FIG. 3 is a rear elevational view thereof;

FIG. 4 is a top plan view thereof;

FIG. 5 is a right side elevational view thereof; and,

FIG. 6 is a left side elevational view thereof.

1 Claim, 6 Drawing Sheets



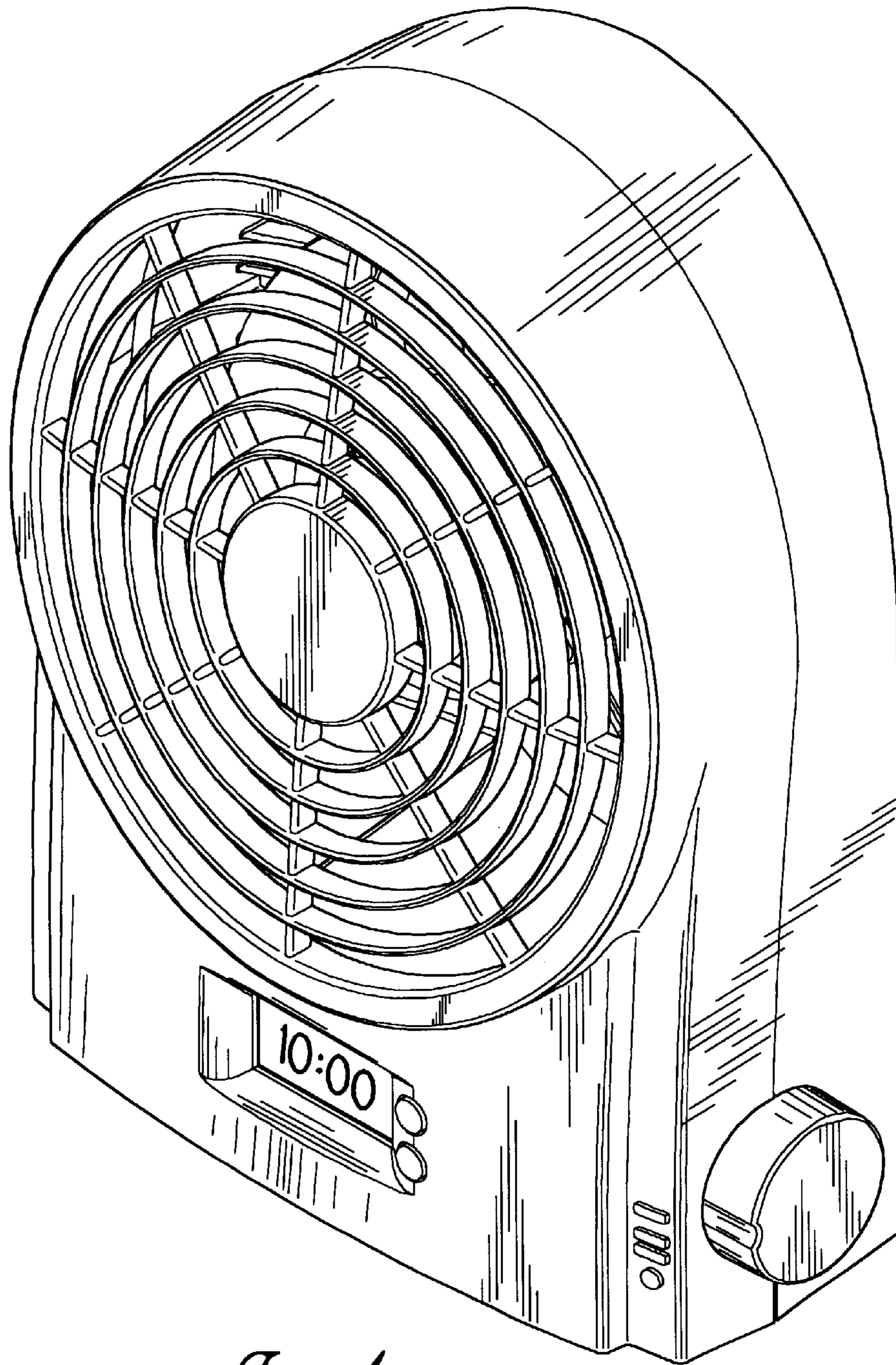


Fig. 1

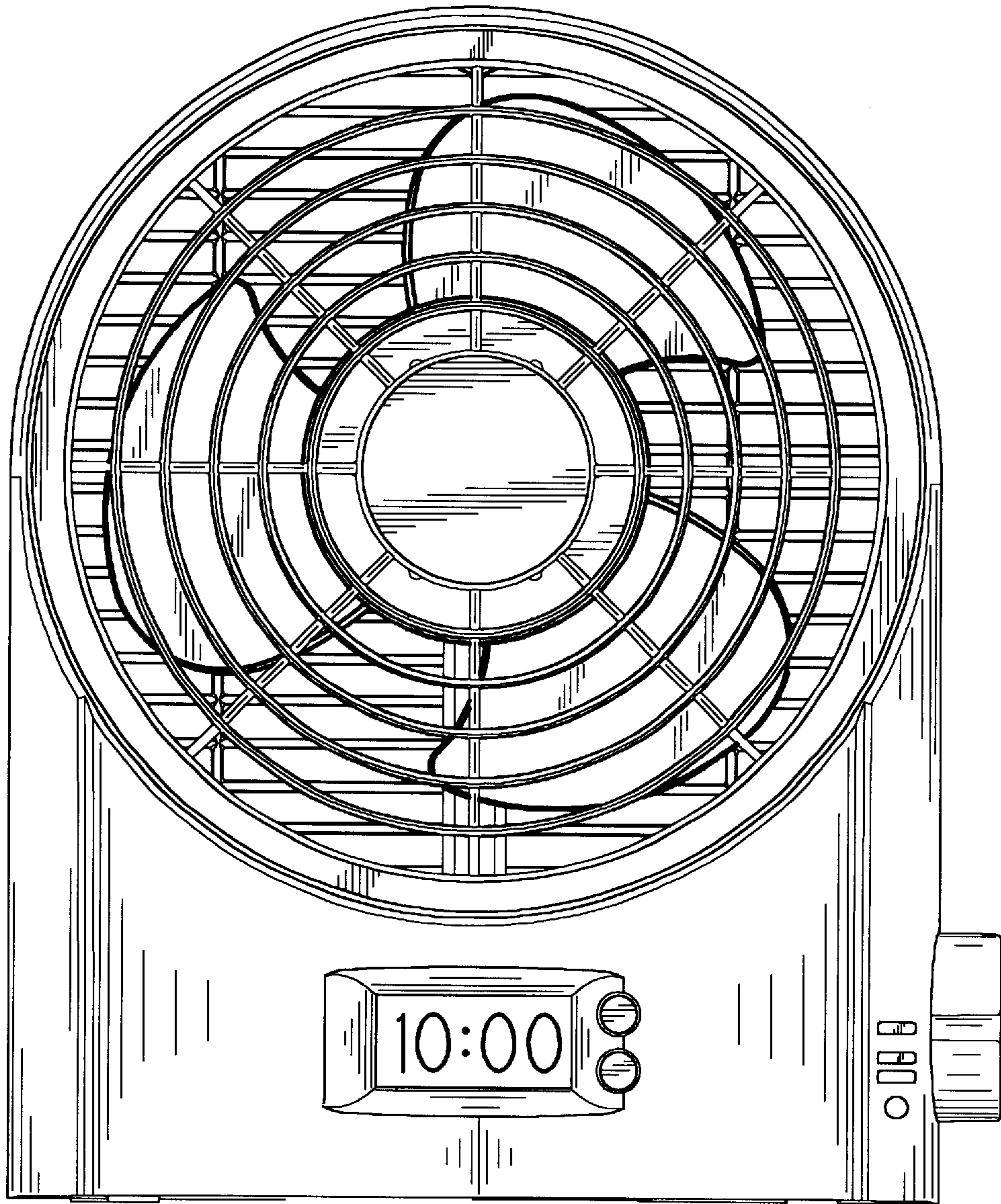


Fig. 2

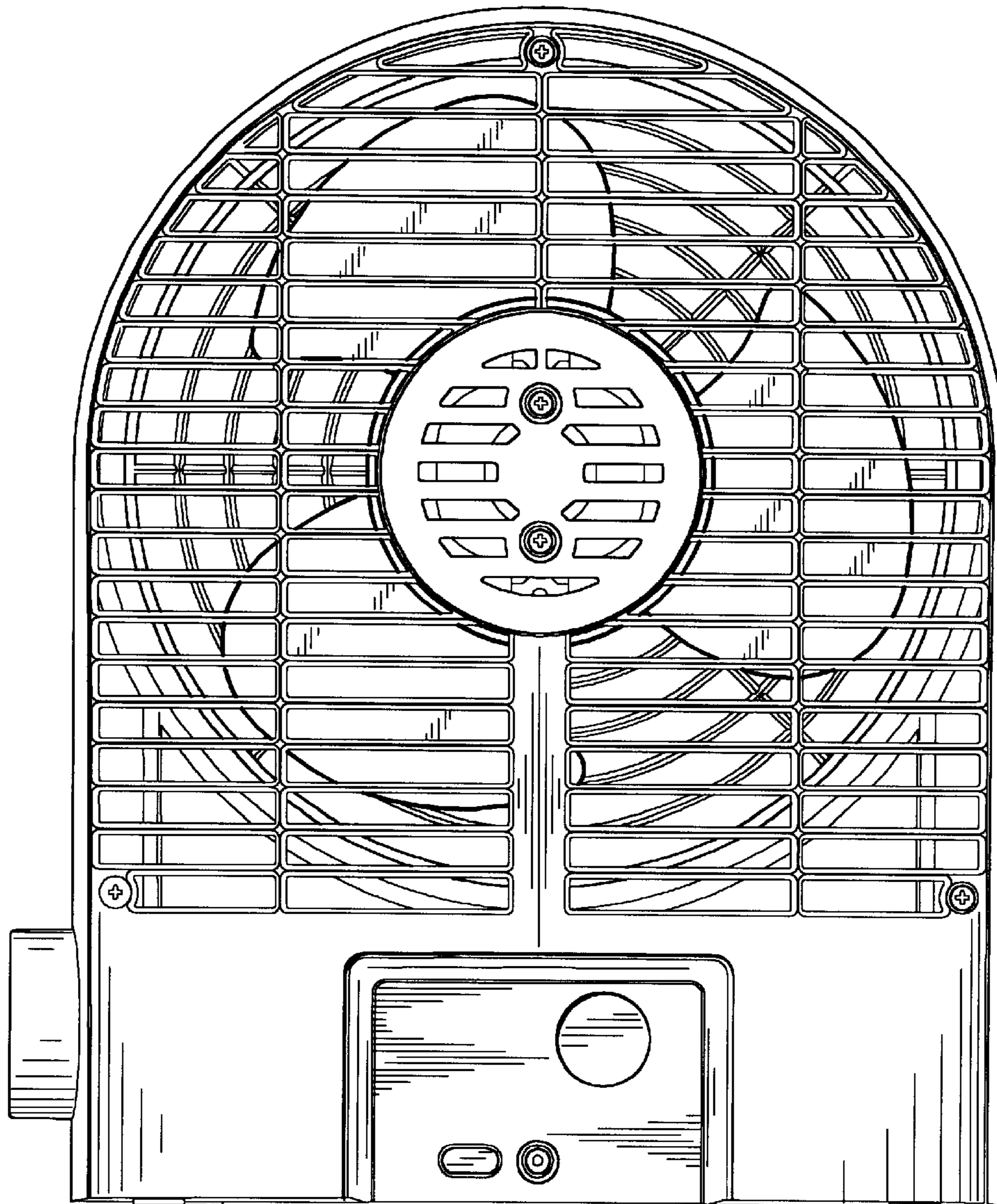


Fig. 3

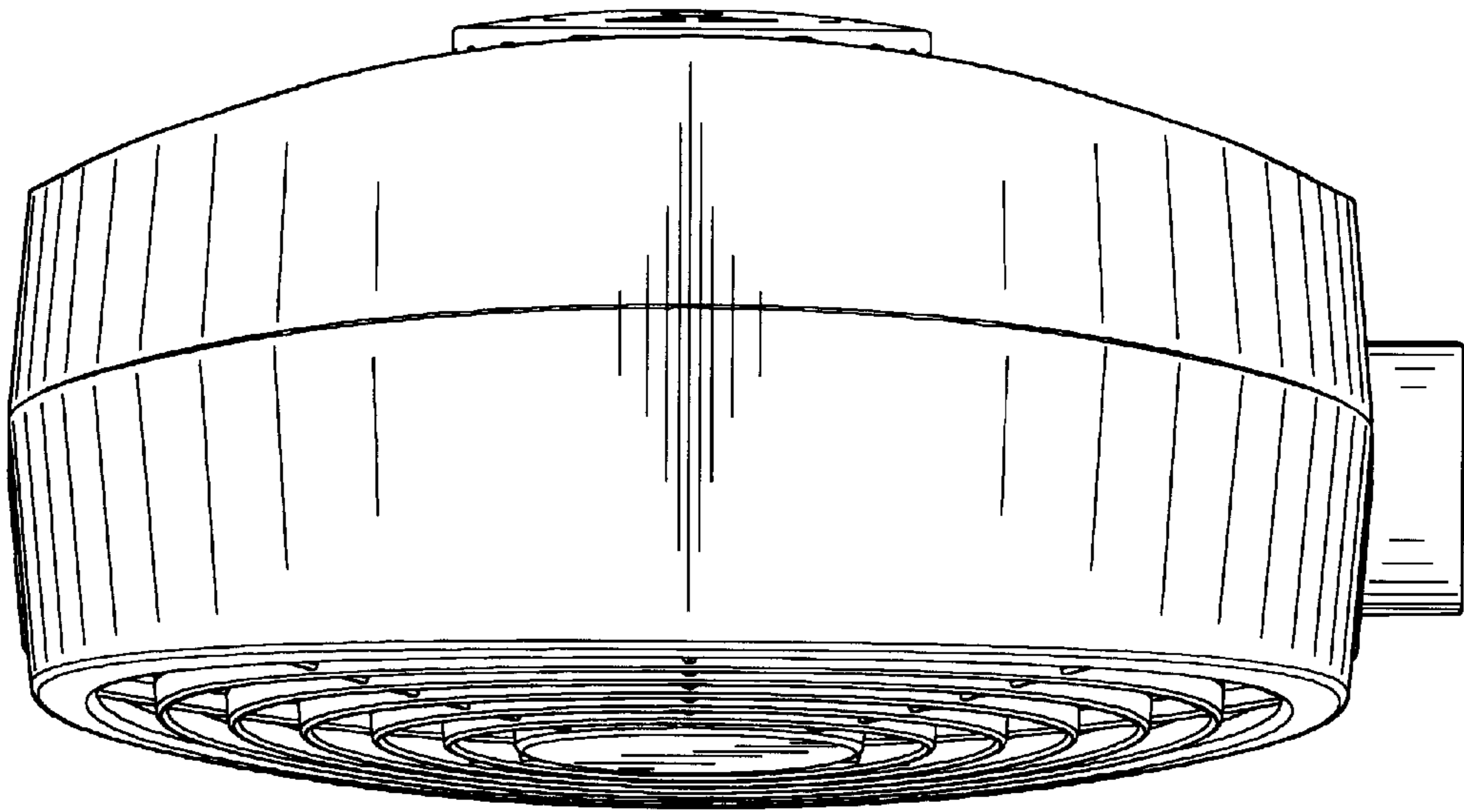


Fig. 4

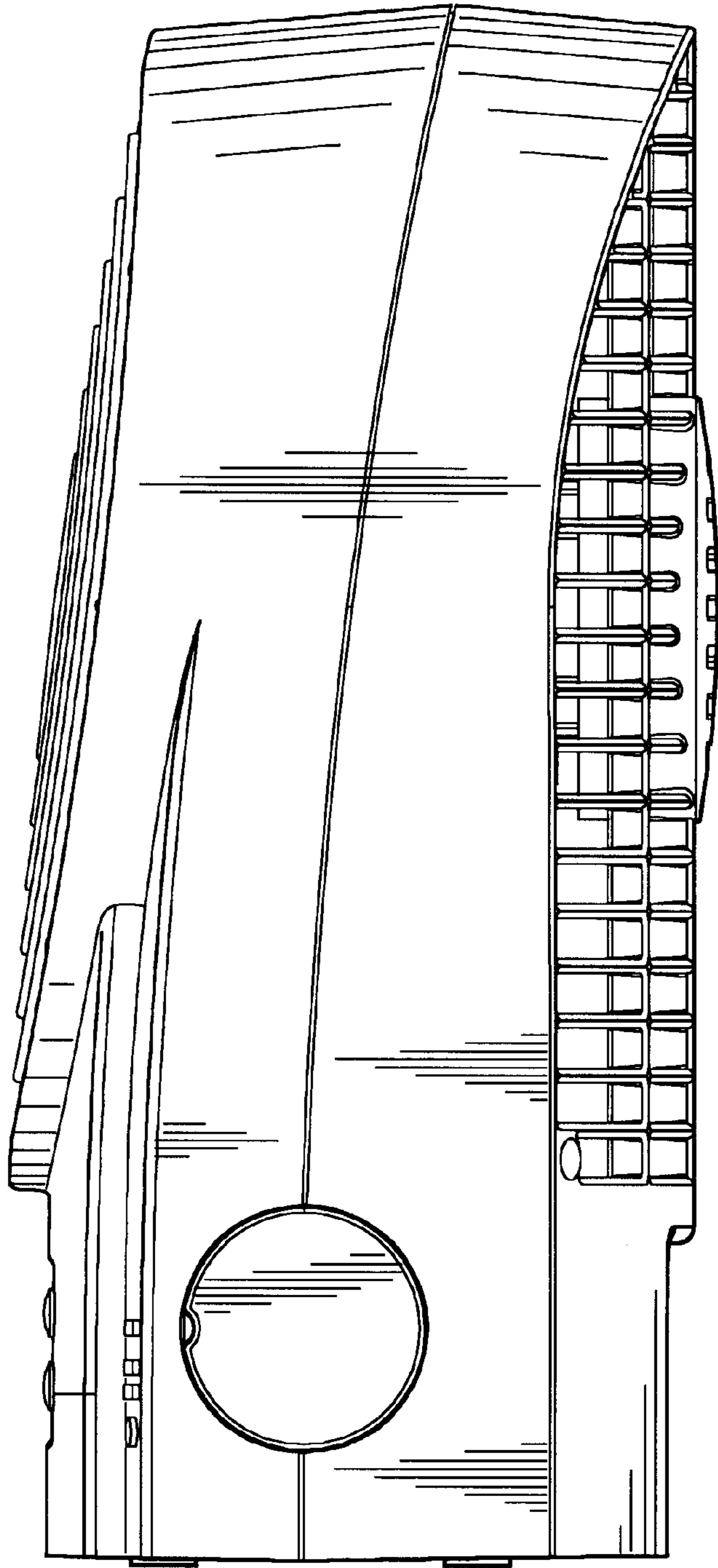


Fig. 5

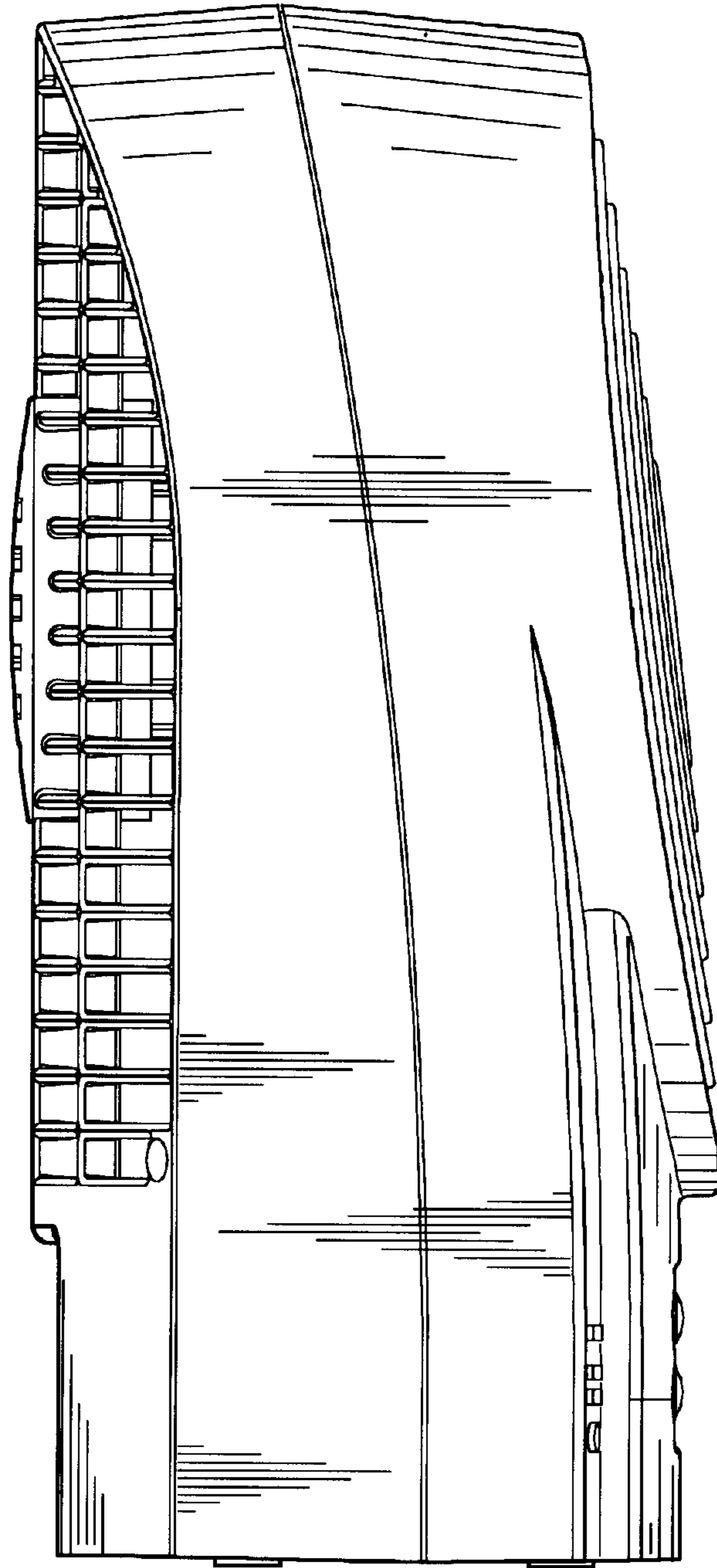


Fig. 6