



US00D440882S

(12) **United States Design Patent** (10) **Patent No.:** **US D440,882 S**
Hillis et al. (45) **Date of Patent:** **** Apr. 24, 2001**

(54) **CLOCK CONFIGURATION**

(75) Inventors: **W. Daniel Hillis**, Toluca Lake;
Alexander Rose, Sausalito, both of CA
(US)

(73) Assignee: **The Long Now Foundation**, Sausalito,
CA (US)

(**) Term: **14 Years**

(21) Appl. No.: **29/128,674**

(22) Filed: **Aug. 29, 2000**

(51) **LOC (7) Cl.** **10-01**

(52) **U.S. Cl.** **D10/1; D10/16**

(58) **Field of Search** D10/1-40, 122-132;
368/10, 37, 294, 276, 277, 220, 285, 203,
316-317

(56) **References Cited**

U.S. PATENT DOCUMENTS

D. 104,658	*	5/1937	Fronenberg	D10/16
D. 188,281	*	6/1960	Reed	D21/531
D. 208,927	*	10/1967	Thomas	D10/25
D. 262,194	*	12/1981	Burke	D10/16
D. 316,047	*	4/1991	Imai	D10/28
D. 363,230	*	10/1995	Moore	D10/28
D. 397,617	*	9/1998	Davis	D10/1
1,420,549	*	6/1922	Horn	368/203
1,510,139	*	9/1924	Dorsey	368/203

OTHER PUBLICATIONS

Ralf Fleischer and Karl-Heinz Volz clocks prior to Aug. 2, 2000.*

Schoner Wohnen Nov. 1985, item 14.*

* cited by examiner

Primary Examiner—Jeffrey Asch

(74) *Attorney, Agent, or Firm*—Michael A. Glenn

(57) **CLAIM**

The ornamental design for a clock configuration, as shown and described.

DESCRIPTION

FIG. 1 is a perspective view of an ornamental design for a clock configuration according to the invention;

FIG. 2 is a front view of an ornamental design for a clock configuration according to the invention;

FIG. 3 is a right side view of an ornamental design for a clock configuration according to the invention;

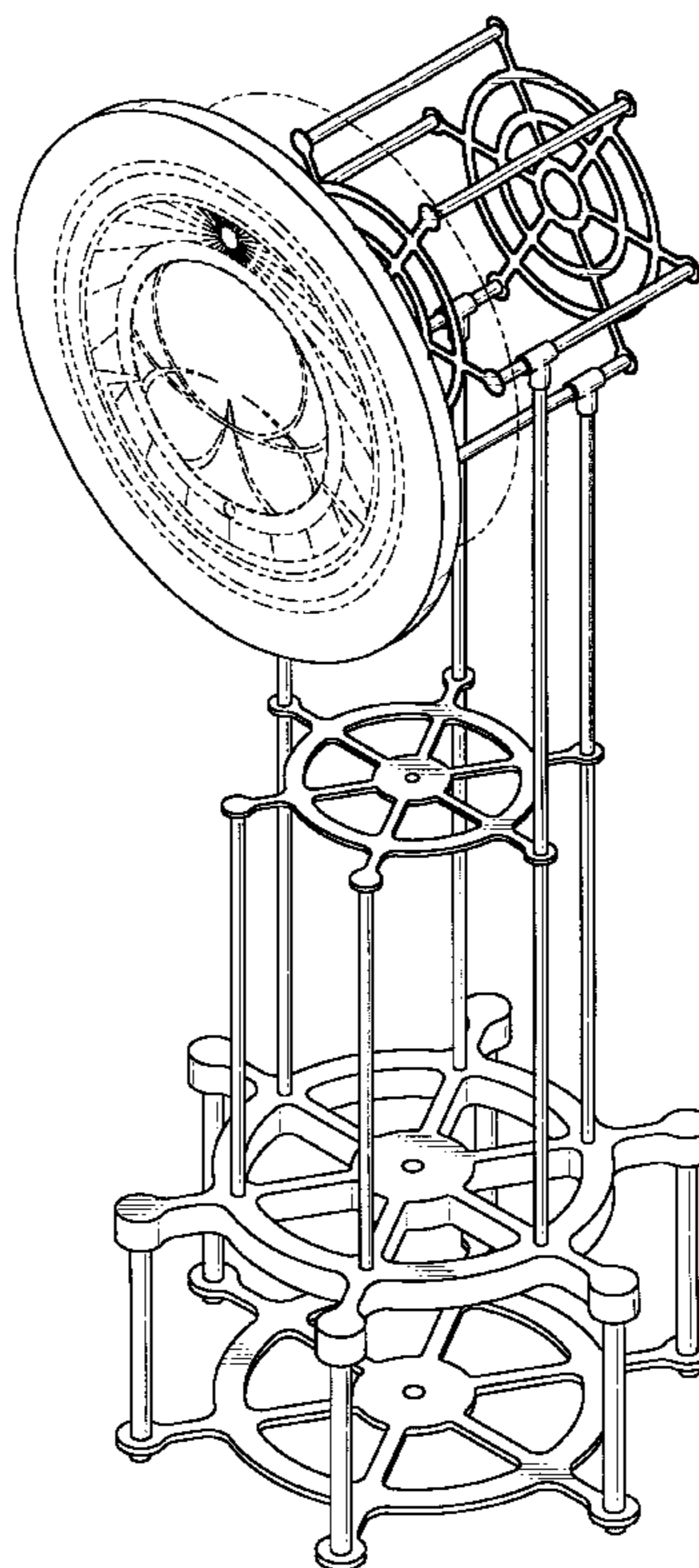
FIG. 4 is a rear of an ornamental design for a clock configuration according to the invention;

FIG. 5 is a top view at section line 5—5 in FIG. 2 of an ornamental design for a clock configuration according to the invention; and,

FIG. 6 is a top view at section line 6—6 in FIG. 2 of an ornamental design for a clock configuration according to the invention.

The broken line showings throughout the views are for illustrative purposes only and form no part of the claimed design.

1 Claim, 5 Drawing Sheets



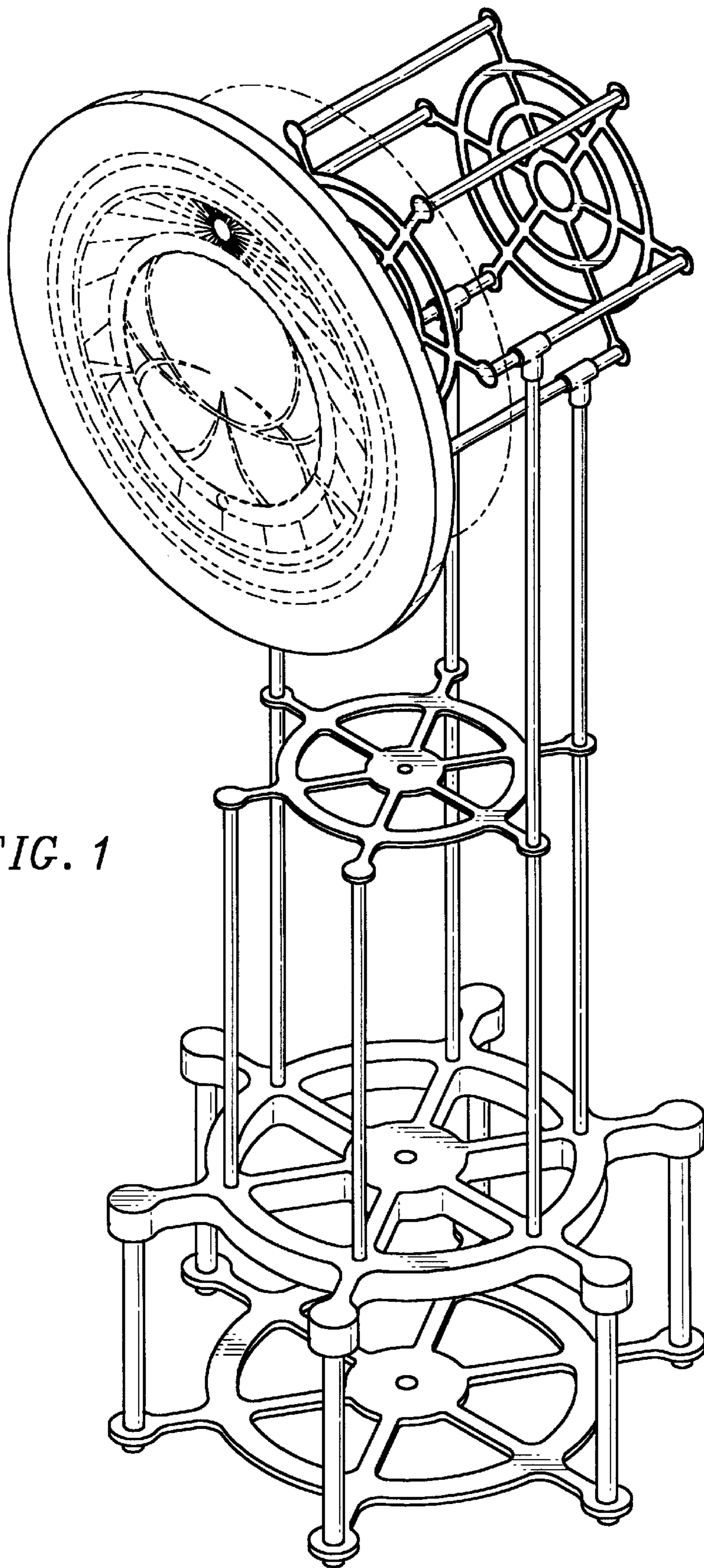


FIG. 1

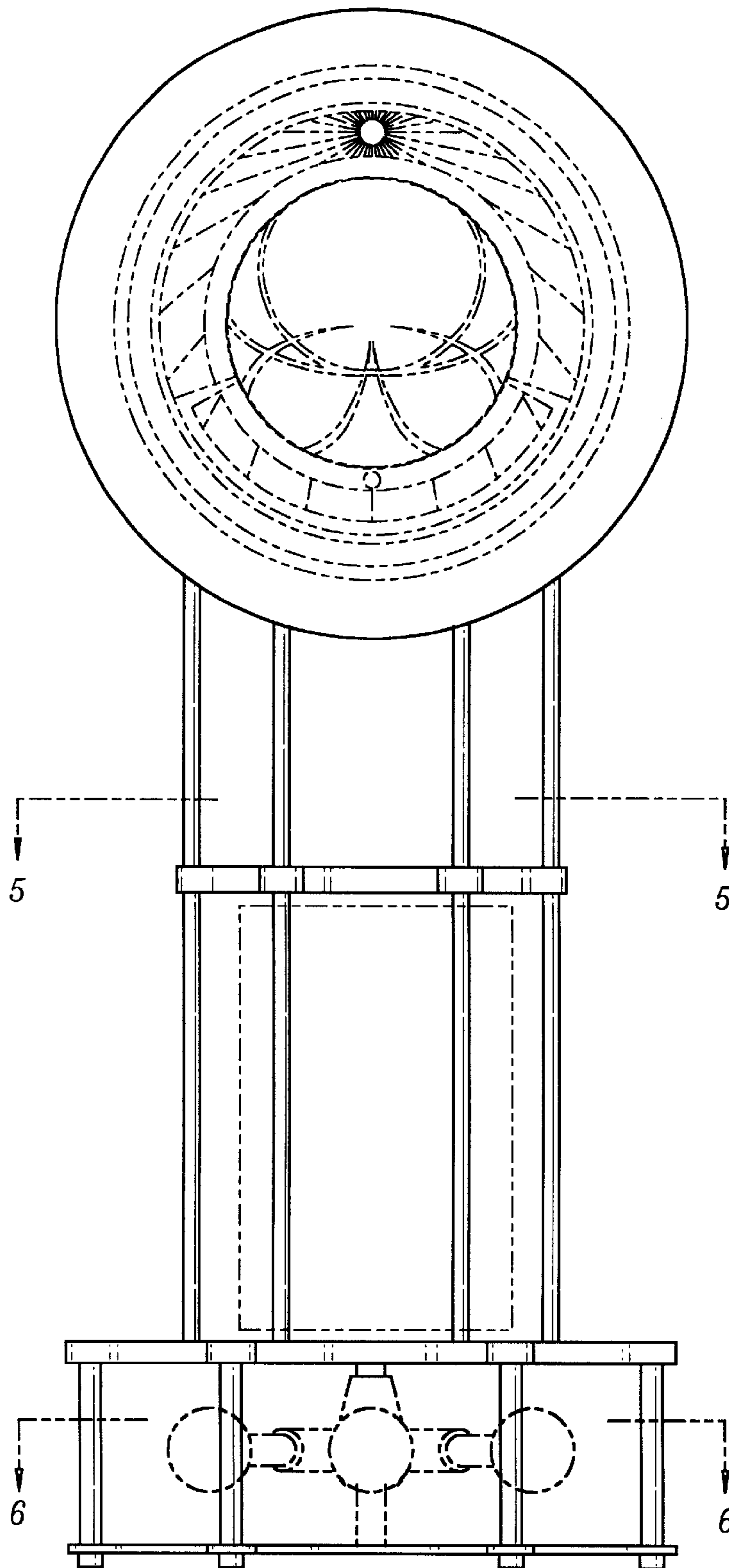


FIG. 2

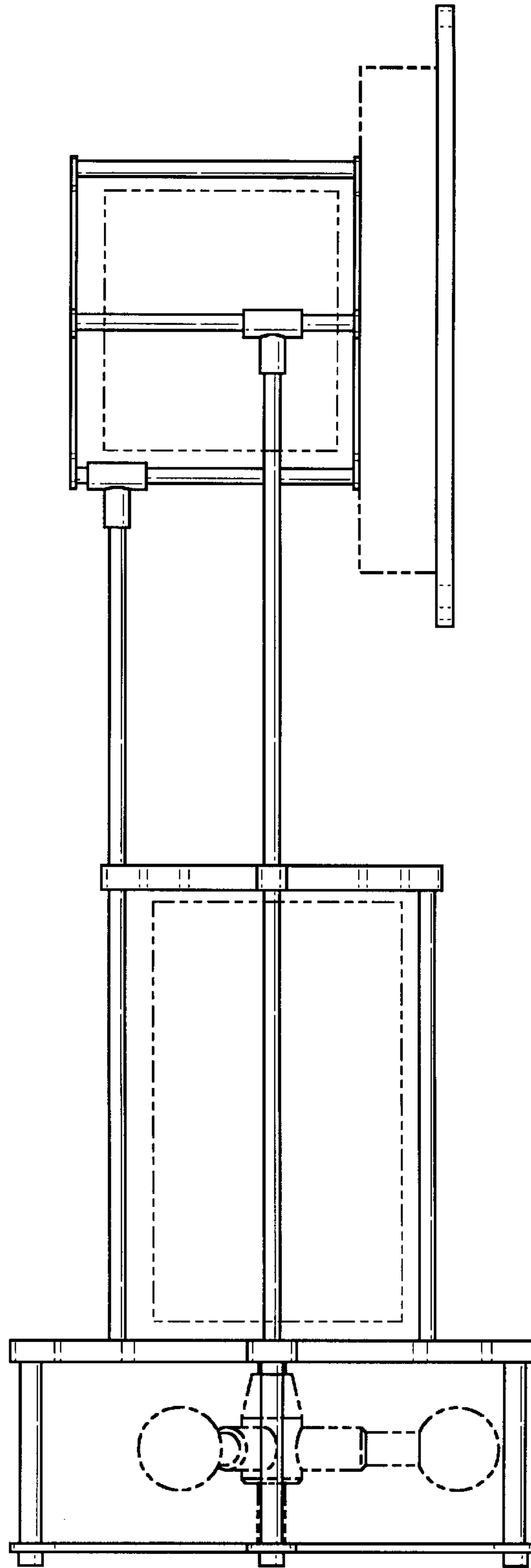


FIG. 3

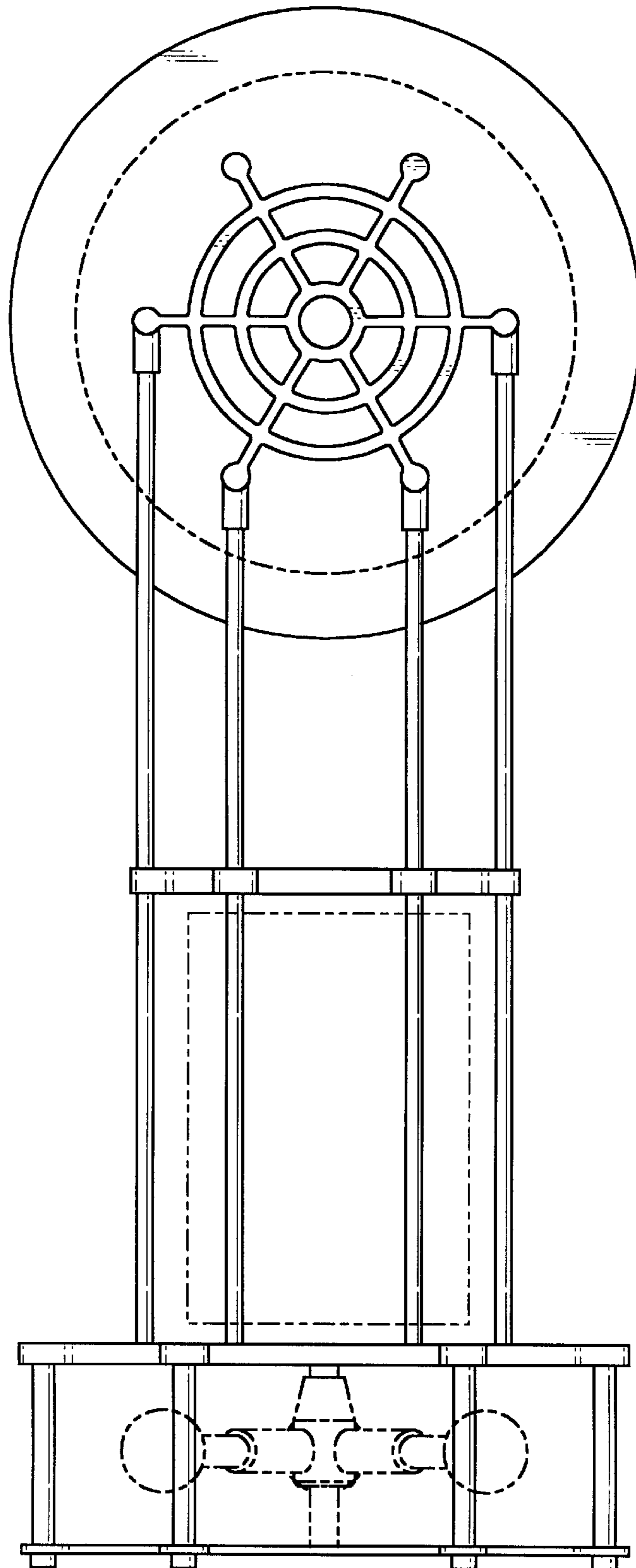


FIG. 4

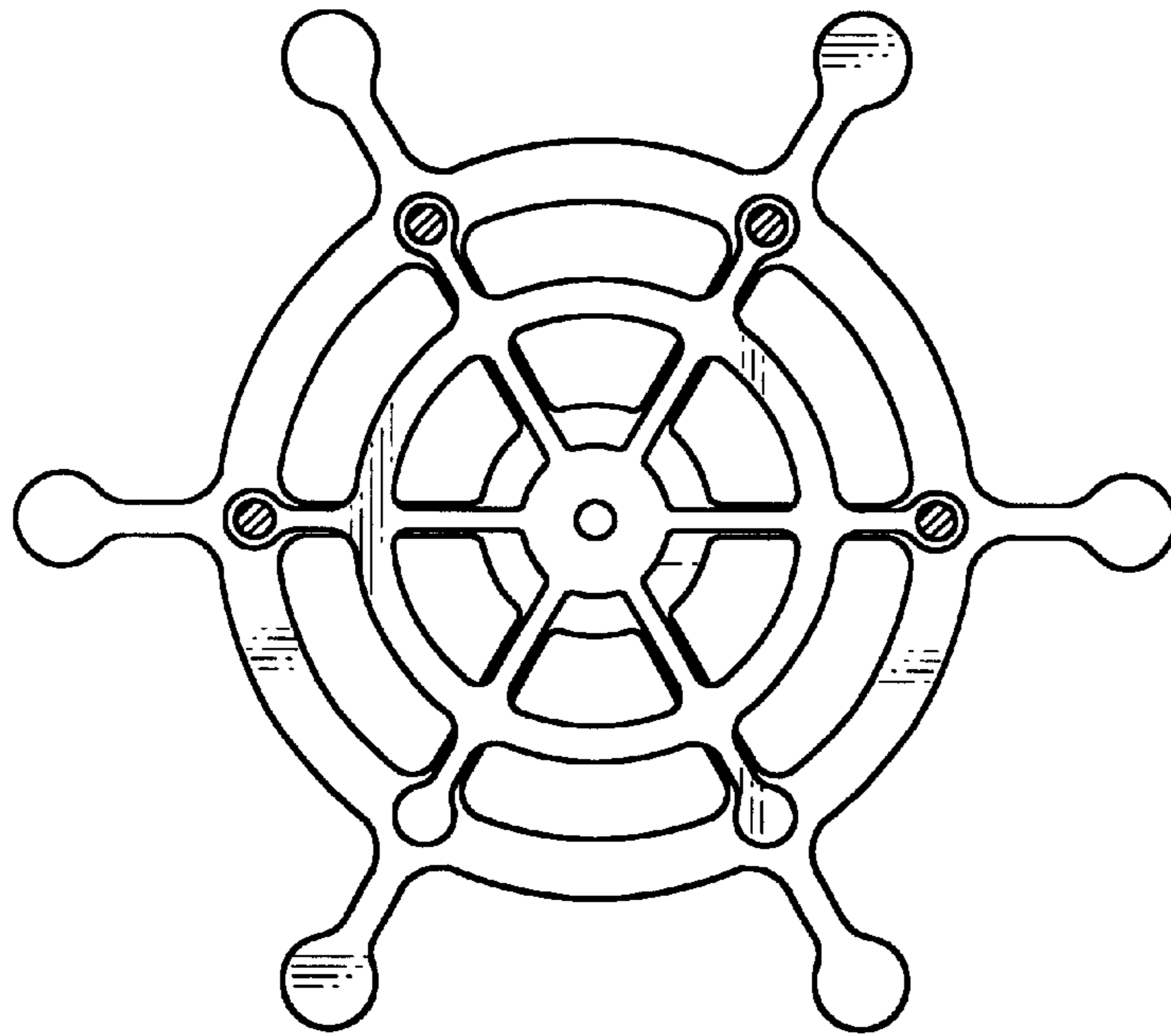


FIG. 5

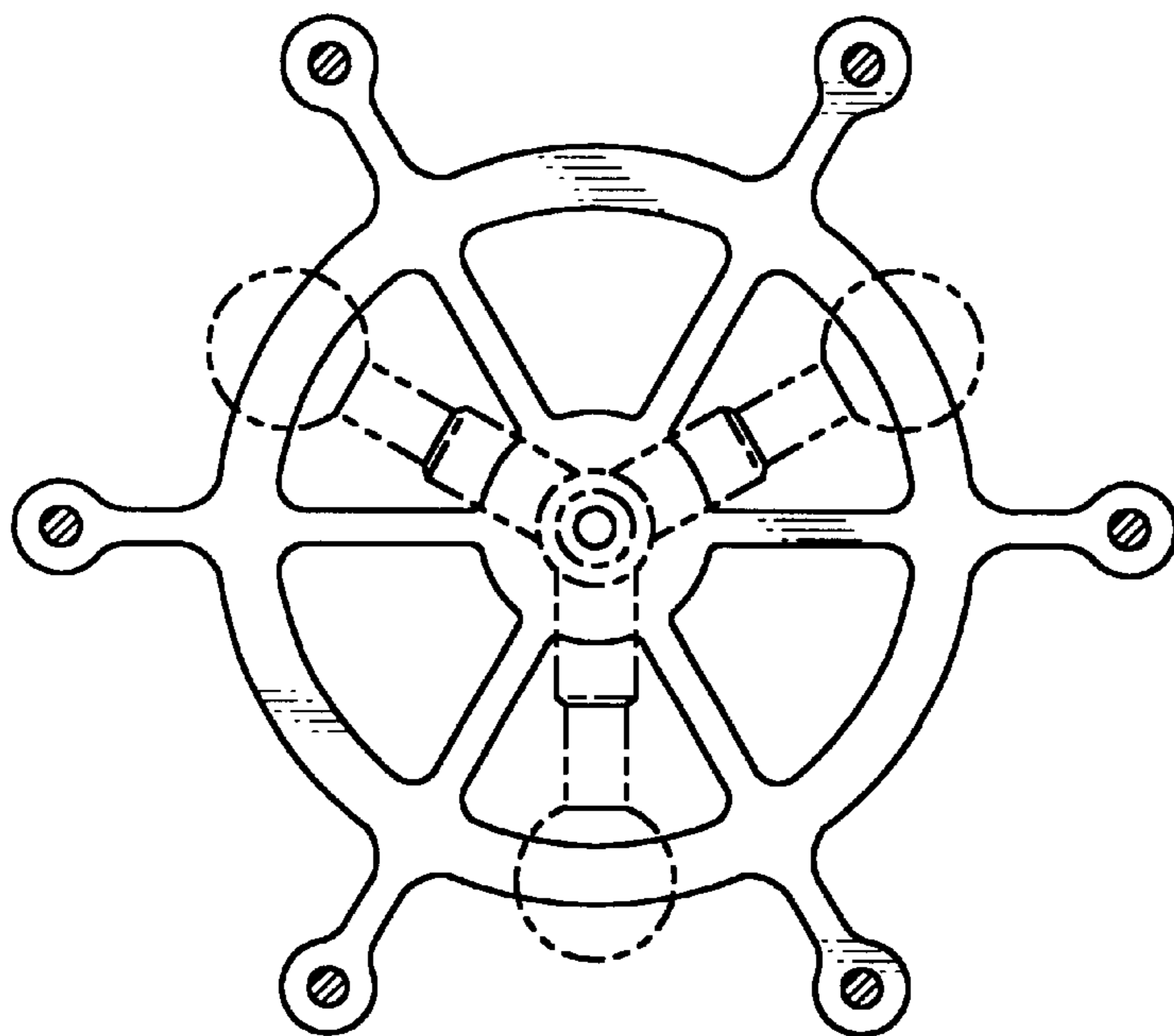


FIG. 6