



US00D440877S

(12) **United States Design Patent**  
**Lichtman et al.**

(10) **Patent No.:** **US D440,877 S**

(45) **Date of Patent:** **\*\* Apr. 24, 2001**

(54) **BOTTLE**

(75) Inventors: **Jeff Lichtman**, Evanston; **Susan L. Colten**, Wilmette; **Dean Lindsay**, Winnetka; **Jim Shoemaker**, Chicago, all of IL (US)

(73) Assignee: **Stokely-Van Camp, Inc.**, Chicago, IL (US)

(\*\*) Term: **14 Years**

(21) Appl. No.: **29/102,683**

(22) Filed: **Mar. 26, 1999**

(51) **LOC (7) Cl.** ..... **09-01**

(52) **U.S. Cl.** ..... **D9/539; D9/553; D9/571**

(58) **Field of Search** ..... **D9/539, 540, 541, D9/538, 520, 553, 551, 571, 542, 559; 215/382, 383, 384, 370-373, 381**

(56) **References Cited**

**U.S. PATENT DOCUMENTS**

D. 184,207	1/1959	Baird	.....	D58/8
D. 188,074	5/1960	Wunderly	.....	D58/8
D. 195,371	* 6/1963	Torongo	.....	D9/539
D. 217,805	* 6/1970	Douglas	.....	D9/542
D. 225,510	12/1972	Strand	.....	D9/92
D. 234,292	2/1975	Plummer	.....	D9/119
D. 237,944	12/1975	Taylor et al.	.....	D9/100
D. 239,921	5/1976	Taylor et al.	.....	D9/100
D. 241,713	10/1976	Plummer	.....	D9/100
D. 241,714	10/1976	Plummer	.....	D9/119
D. 241,715	10/1976	Plummer	.....	D9/119
D. 245,068	7/1977	Ruriani	.....	D9/96
D. 246,896	1/1978	Plummer	.....	D9/100
D. 292,269	10/1987	Jacobs et al.	.....	D9/349
D. 292,374	10/1987	Jacobs et al.	.....	D9/349
D. 292,375	10/1987	Jacobs et al.	.....	D9/349
D. 293,888	1/1988	Rogler	.....	D9/349
D. 294,117	2/1988	Rogler et al.	.....	D9/390
D. 294,462	3/1988	Ota et al.	.....	D9/392
D. 294,678	3/1988	Papa	.....	D9/392
D. 295,381	4/1988	Papa	.....	D9/392
D. 295,382	4/1988	Rogler	.....	D9/392
D. 300,805	4/1989	Rogler et al.	.....	D9/390
D. 309,102	7/1990	Wild	.....	D9/401
D. 316,966	5/1991	York	.....	D9/390

D. 320,154	9/1991	Alberghini et al.	.....	D9/370
D. 348,606	7/1994	Edstrom	.....	D9/332
D. 366,417	1/1996	Semersky	.....	D9/434
D. 366,831	2/1996	Semersky et al.	.....	D9/434
D. 379,592	6/1997	Doskoczynski	.....	D9/542
D. 379,760	6/1997	Zogg	.....	D9/502
D. 379,762	6/1997	Zogg	.....	D9/502
D. 384,889	10/1997	Nasrallah	.....	D9/500
D. 390,471	2/1998	Ito	.....	D9/539
D. 393,802	4/1998	Collette et al.	.....	D9/502
D. 415,428	10/1999	Keller et al.	.....	D9/503
4,818,575	4/1989	Hirata et al.	.....	215/1 C
4,863,046	* 9/1989	Collette et al.	.....	215/383
5,255,889	* 10/1993	Collette et al.	.....	.
5,337,909	* 8/1994	Vaillencourt	.....	.
5,407,086	* 4/1995	Ota et al.	.....	215/383

**FOREIGN PATENT DOCUMENTS**

163651 6/1987 (JP) .

\* cited by examiner

*Primary Examiner*—Lucy Lieberman

*Assistant Examiner*—Carol Rademaker

(74) *Attorney, Agent, or Firm*—Lars S. Johnson

(57) **CLAIM**

The ornamental design for a bottle, as shown and described.

**DESCRIPTION**

FIG. 1 is a perspective view of a bottle showing a new design;

FIG. 2 is a front elevational view of the bottle depicted in FIG. 1, the opposite rear elevational view being identical;

FIG. 3 is a side elevational view of the bottle depicted in FIG. 2, representing a partial rotation of the bottle about its vertical center axis from the front elevational view depicted in FIG. 2, the opposite side elevational view being identical;

FIG. 4 is a top plan view of the bottle depicted in FIG. 2; and,

FIG. 5 is a bottom plan view of the bottle depicted in FIG. 2.

The broken line environmental showing is for illustrative purposes only and does not form part of the claimed design.

**1 Claim, 2 Drawing Sheets**

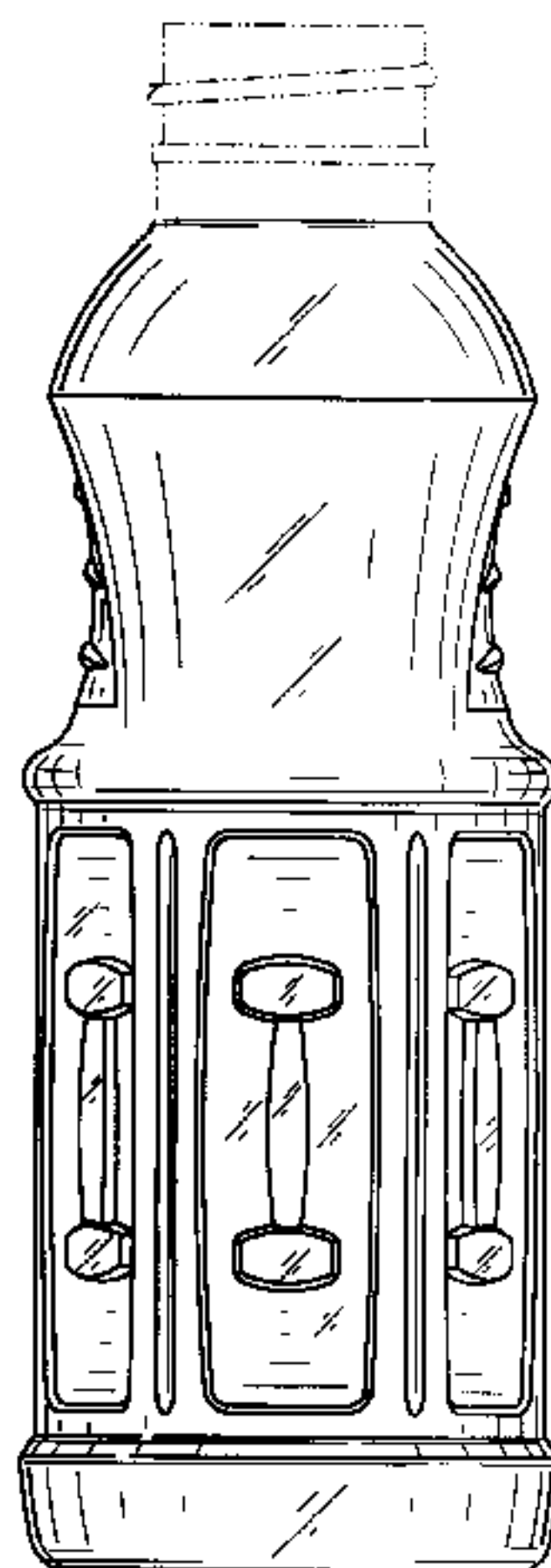


FIG. 1

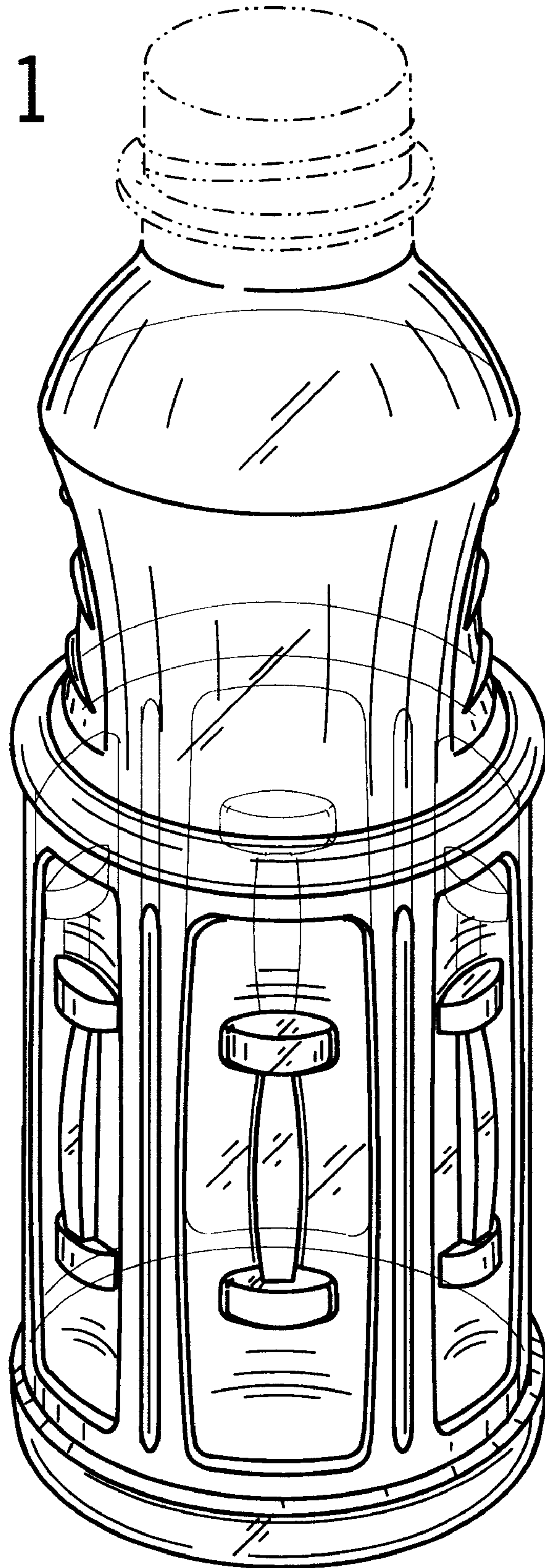


FIG. 2

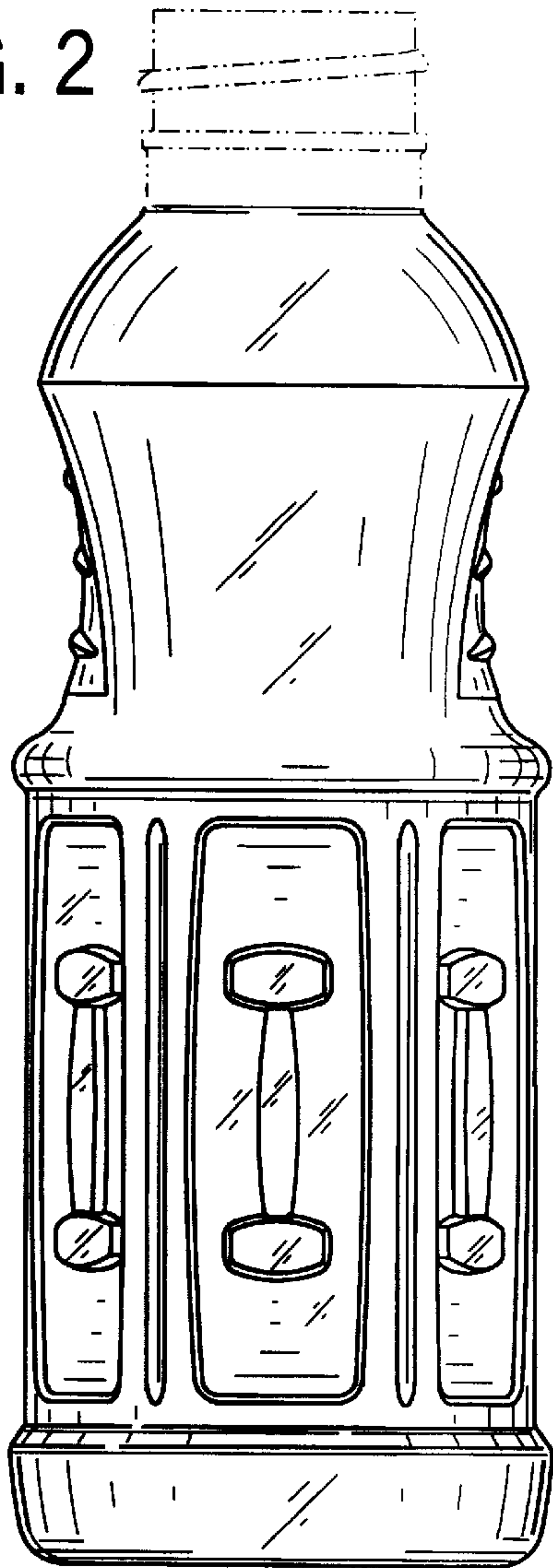


FIG. 3

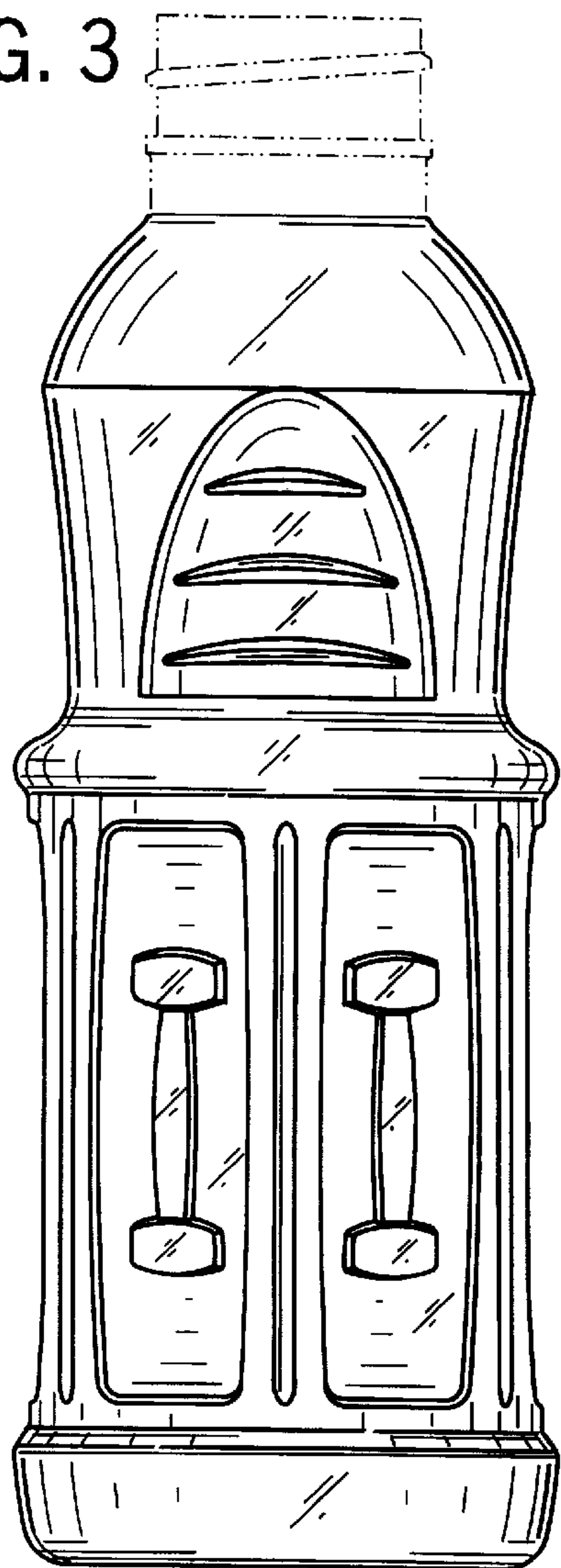


FIG. 4

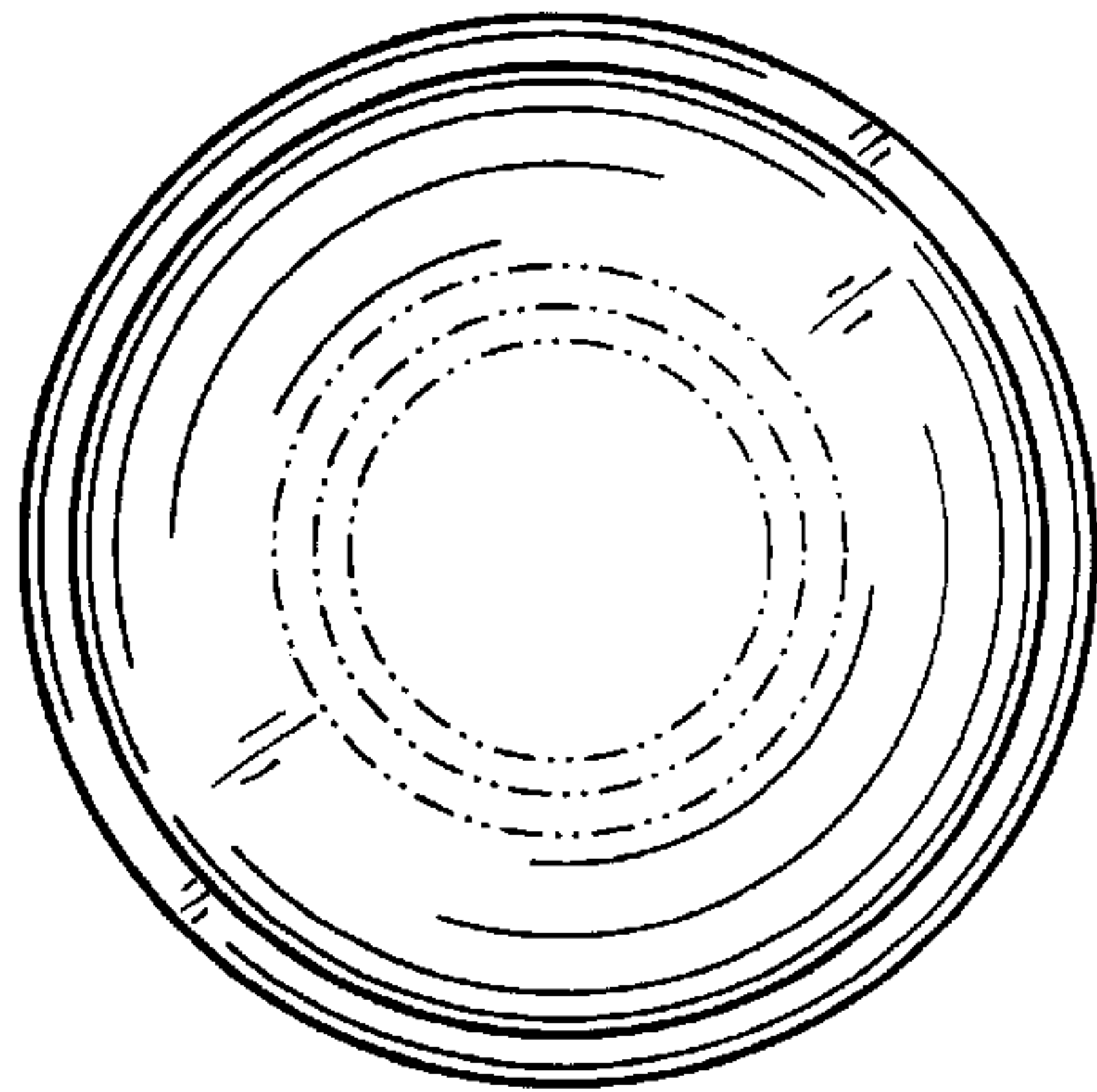


FIG. 5

