



US00D440874S

(12) **United States Design Patent**
Shurtleff et al.

(10) **Patent No.:** **US D440,874 S**

(45) **Date of Patent:** **** Apr. 24, 2001**

(54) **CONTAINER**

(75) Inventors: **Jill Marie Shurtleff**, South Boston;
John D. Petricca, Leominster, both of
MA (US)

(73) Assignee: **The Gillette Company**, Boston, MA
(US)

(**) Term: **14 Years**

(21) Appl. No.: **29/108,575**

(22) Filed: **Jul. 29, 1999**

(51) **LOC (7) Cl.** **09-03**

(52) **U.S. Cl.** **D9/425; D9/341; D9/347**

(58) **Field of Search** D7/601, 629; D9/420,
D9/425, 424, 429, 430, 431, 432, 337,
414, 415, 418; 220/241, 780-783, 376,
380, 657, 659, 669, 670, 675, 556; 229/406,
407, 4.5, 938, 939

(56) **References Cited**

U.S. PATENT DOCUMENTS

D. 227,083	6/1973	Anderson et al.	D9/219
D. 234,026	* 12/1974	Winter	D9/224
D. 234,122	* 1/1975	Horblitt	D9/415
D. 296,191	6/1988	Yoshida et al.	D9/424
D. 303,215	* 9/1989	Hoyt	D9/414
D. 306,216	2/1990	Gray	D28/45
D. 315,099	* 3/1991	Alizard	D9/424

D. 328,565	* 8/1992	Lawless et al.	D9/415
D. 334,536	* 4/1993	Long et al.	D9/424
D. 349,456	* 8/1994	Wilson	D9/347
D. 355,600	* 2/1995	Ford	D9/415
D. 430,013	* 8/2000	Shurtleff et al.	D9/342
D. 430,023	* 8/2000	Shurtleff et al.	D9/425
2,138,241	11/1938	Koch et al.	.	
4,440,311	* 4/1984	Hoffman et al.	220/780
4,750,669	* 6/1988	Leight	229/125.02
4,946,038	8/1990	Eaton	206/528

* cited by examiner

Primary Examiner—Ted Shooman

Assistant Examiner—Carol Rademaker

(74) *Attorney, Agent, or Firm*—Fish & Richardson P.C.

(57) **CLAIM**

The ornamental design for a container, as shown and described.

DESCRIPTION

FIG. 1 is a perspective view of a container as seen from the top, front and right side;

FIG. 2 is a right side elevational view thereof, the left side elevation being a mirror image;

FIG. 3 is a top plan view thereof;

FIG. 4 is a front elevational view thereof;

FIG. 5 is a rear elevational view thereof; and,

FIG. 6 is a bottom plan view.

1 Claim, 3 Drawing Sheets

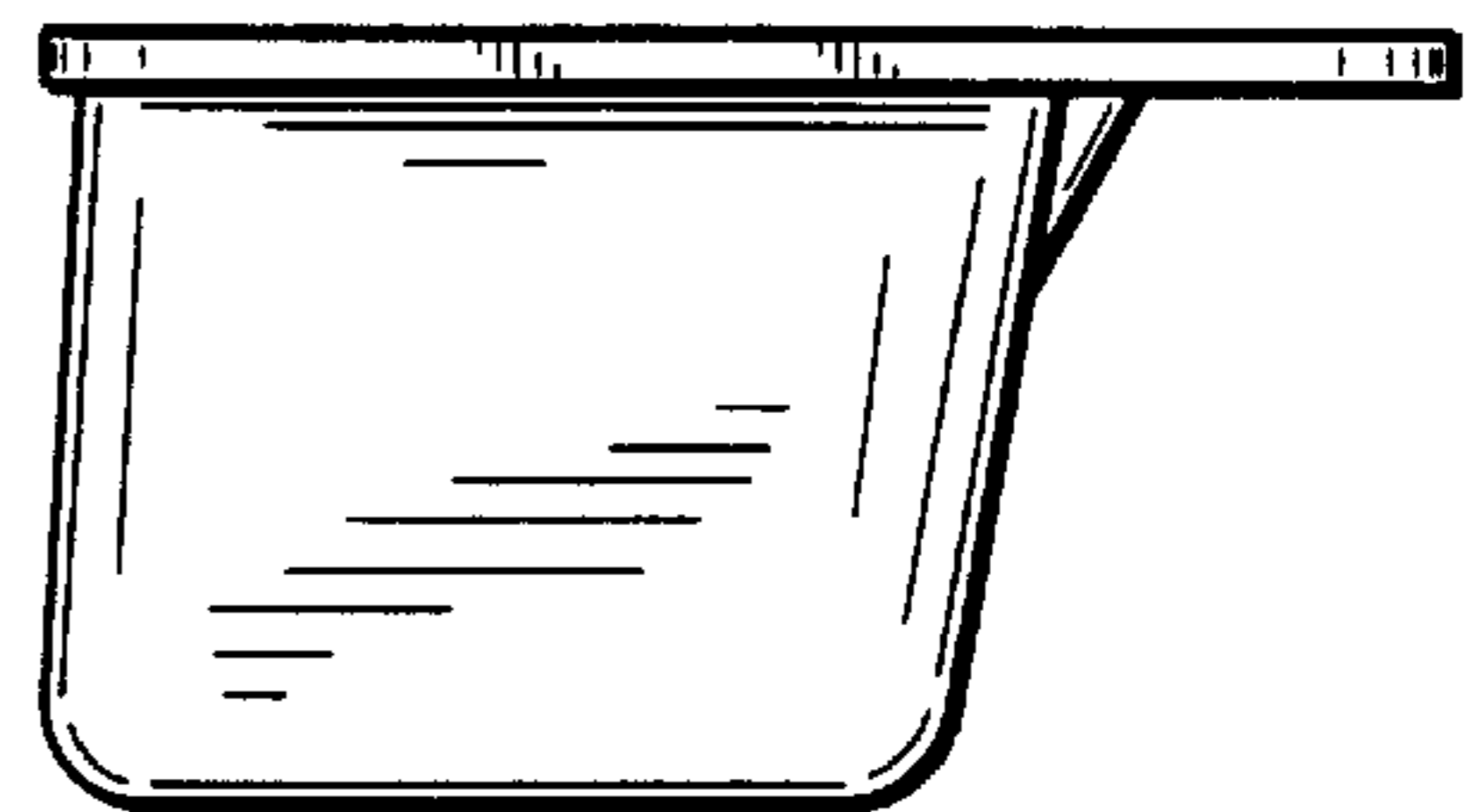
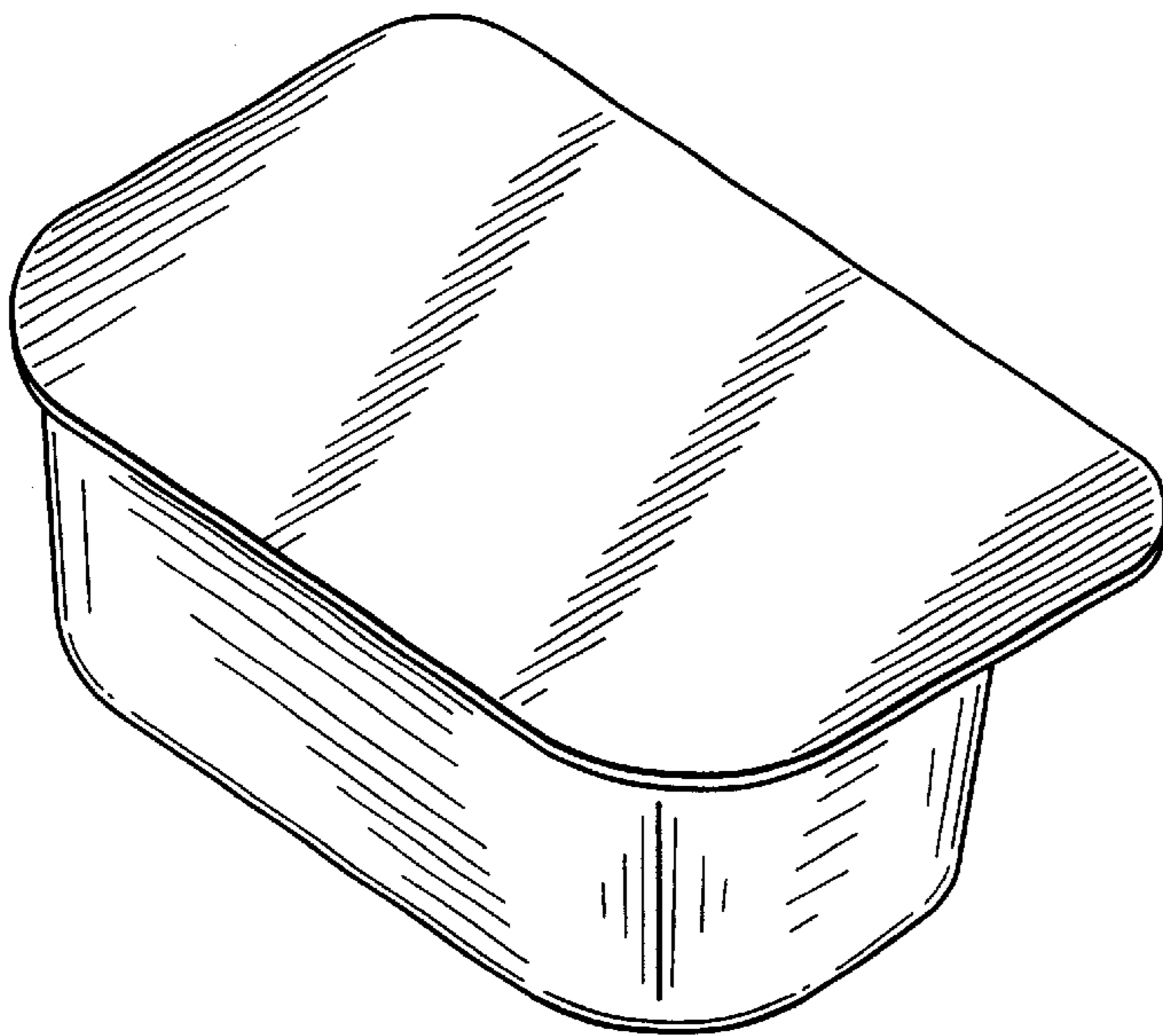


FIG. 1

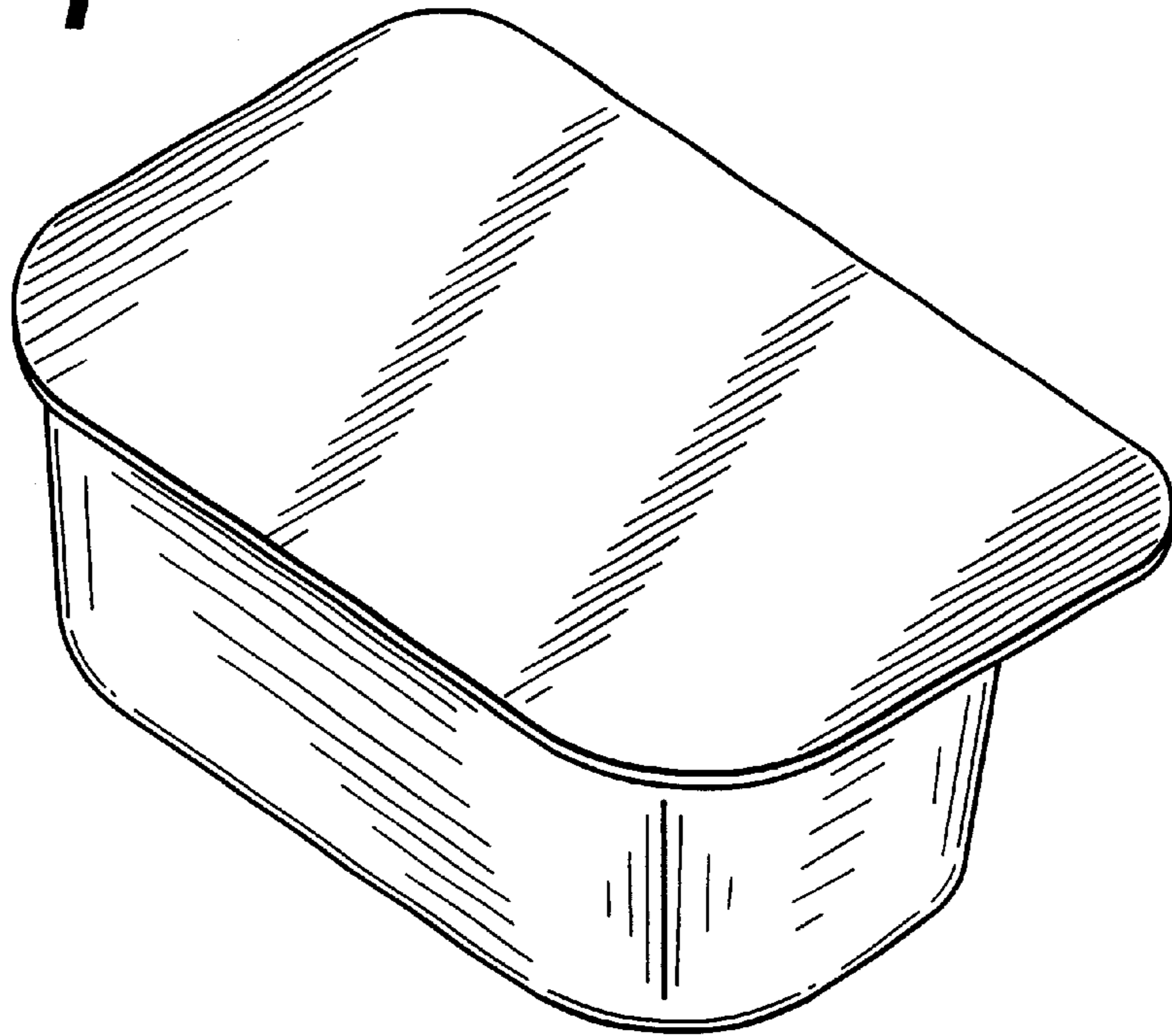


FIG. 2

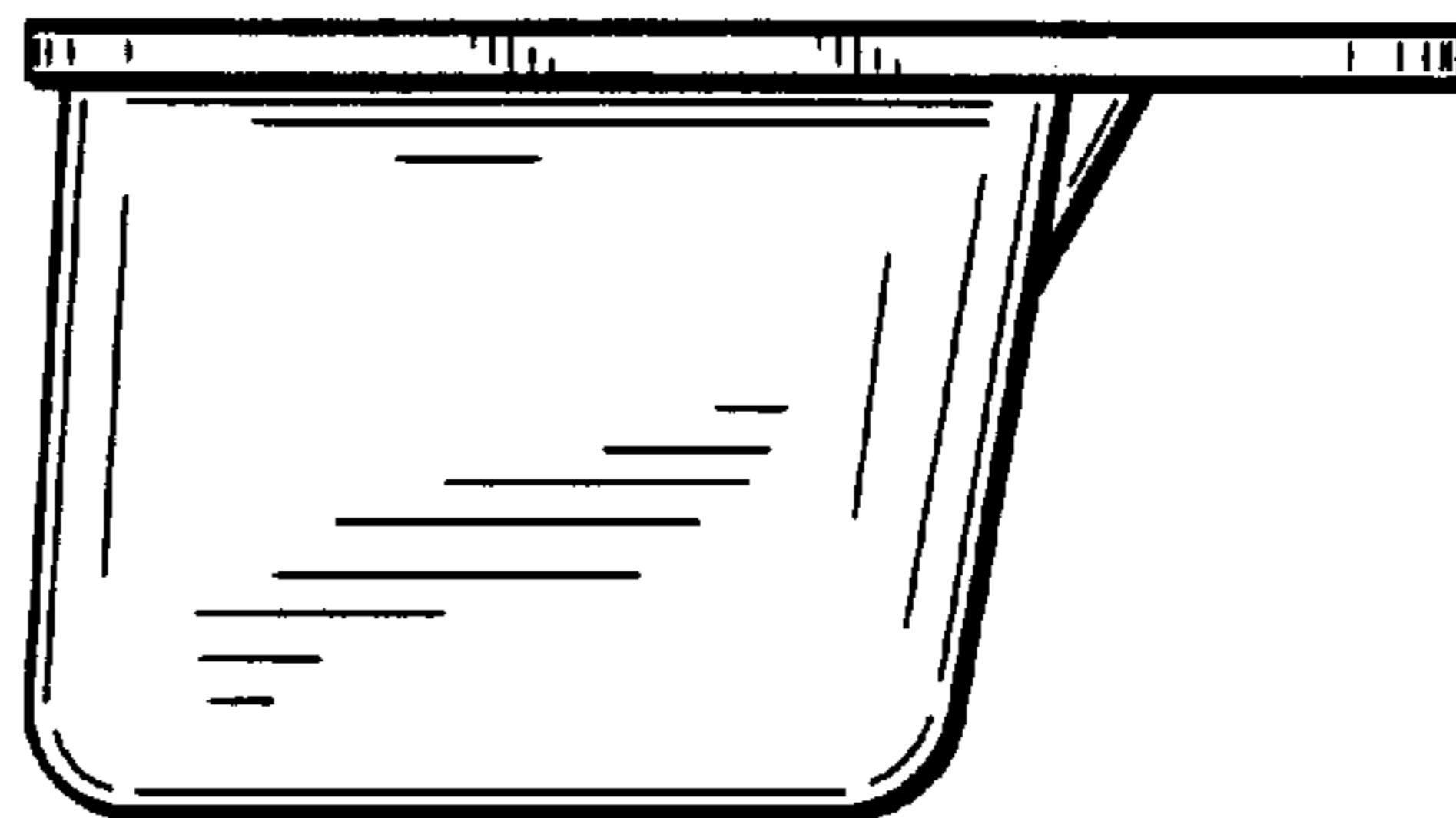


FIG. 3

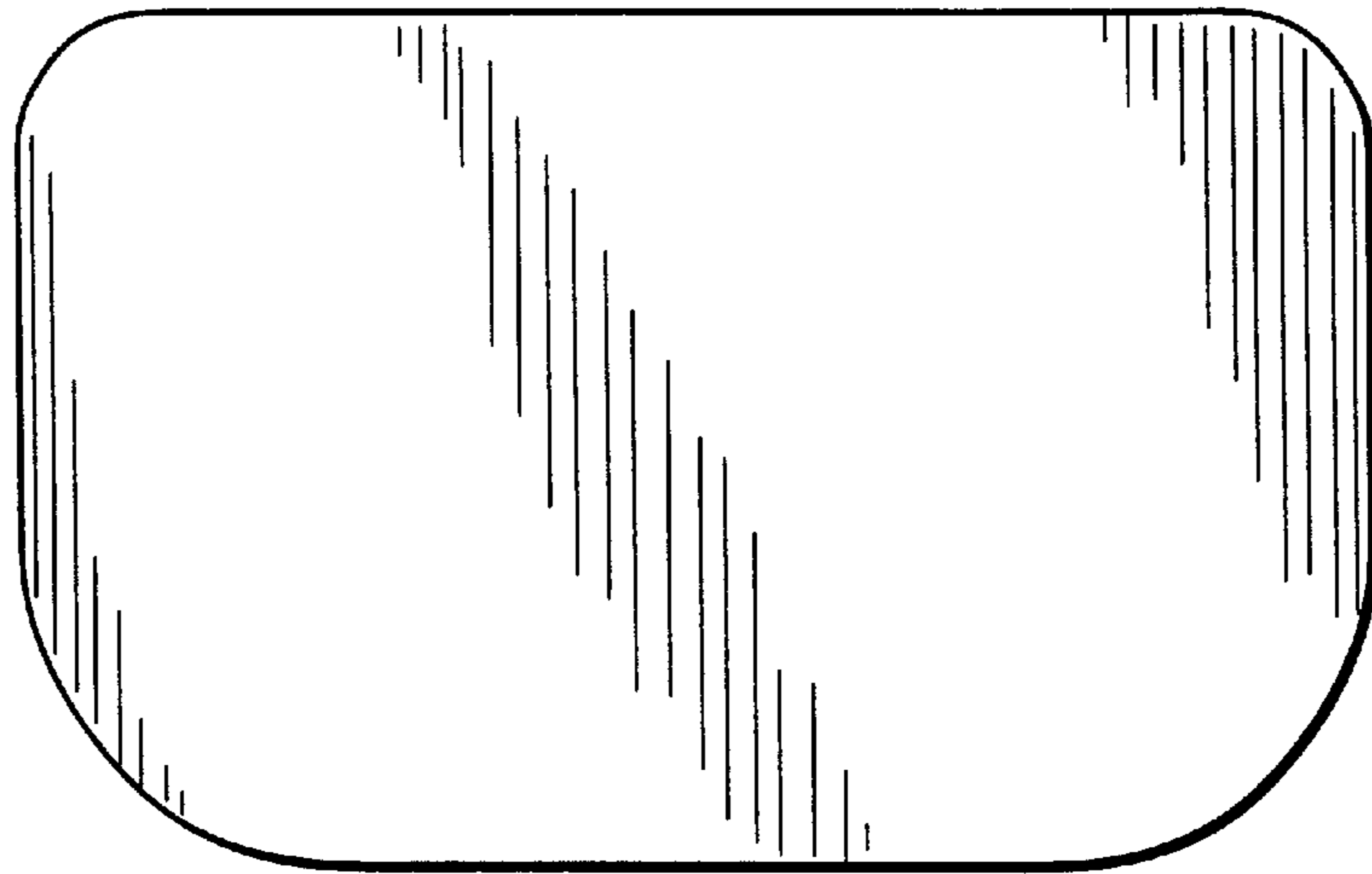


FIG. 4

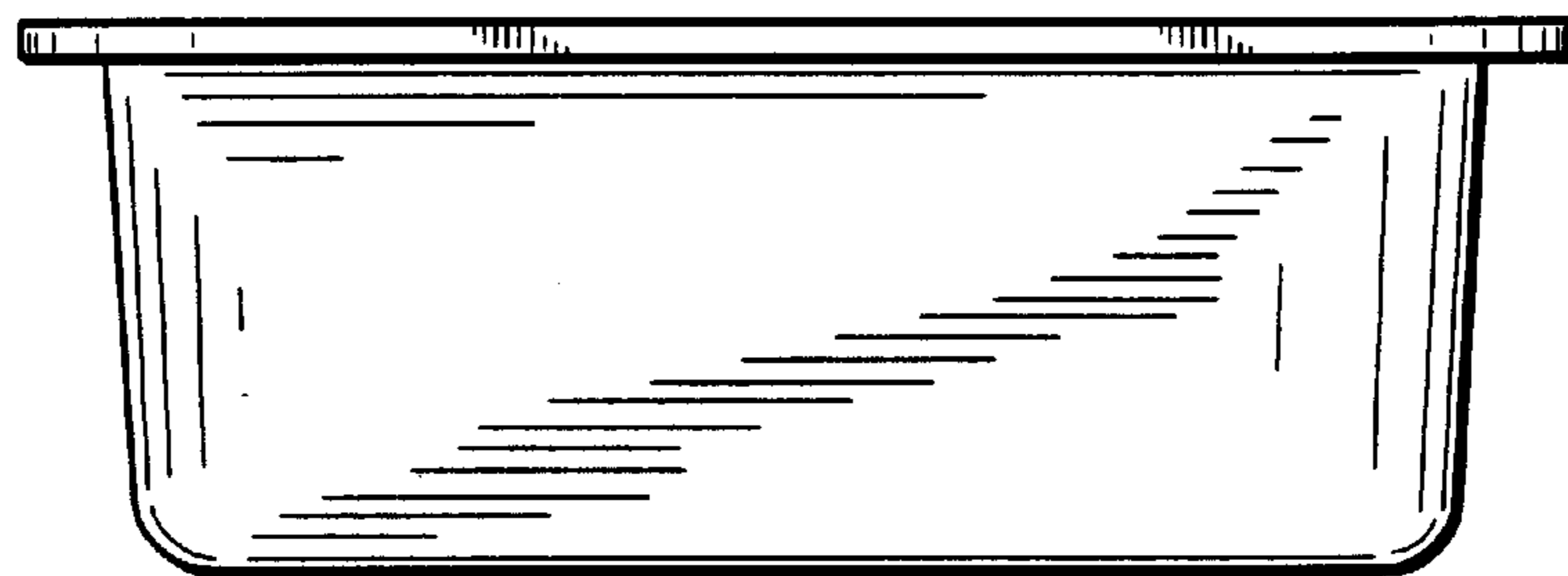


FIG. 5

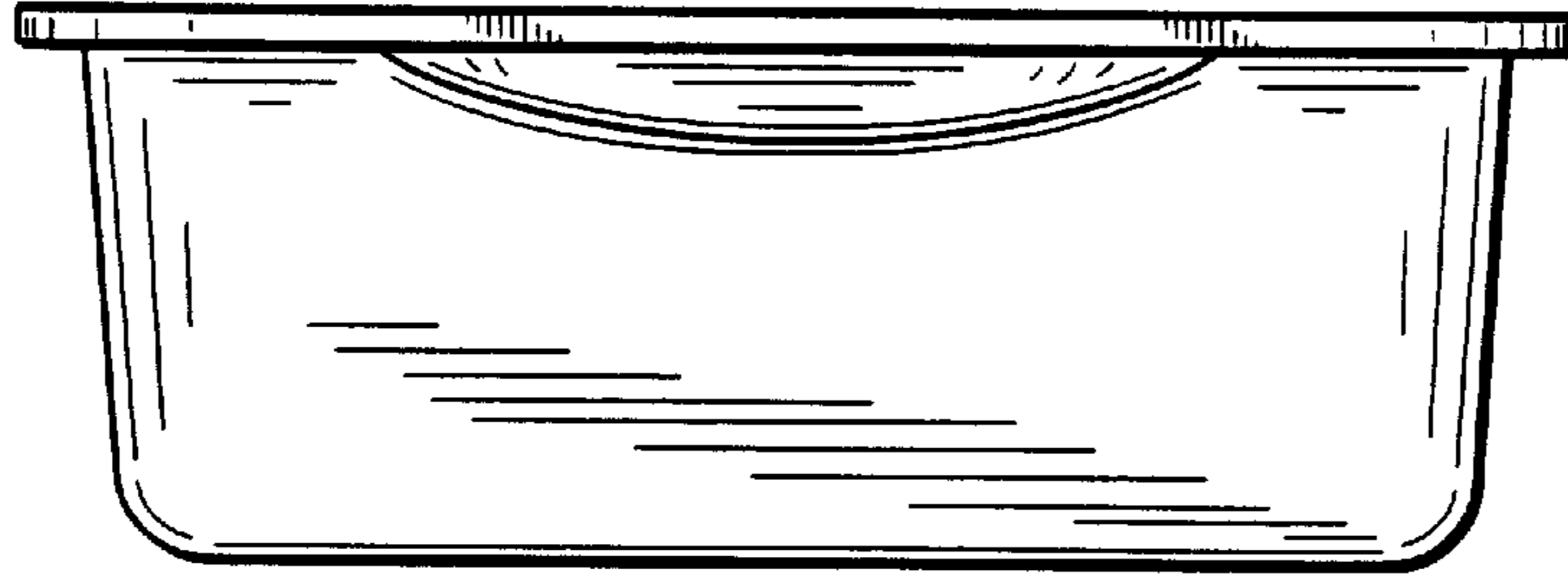


FIG. 6

