



US00D440865S

(12) **United States Design Patent**
Pamer et al.

(10) **Patent No.:** **US D440,865 S**

(45) **Date of Patent:** **** Apr. 24, 2001**

(54) **SELF-PIERCING CLINCH NUT**

5,549,430 8/1996 Takahashi et al. 411/179

(75) Inventors: **W. Richard Pamer**, Macedonia;
Stanley H. Umbel, Windham, both of
OH (US)

(73) Assignee: **R B & W Corporation**, Kent, OH
(US)

(**) Term: **14 Years**

(21) Appl. No.: **29/127,869**

(22) Filed: **Aug. 11, 2000**

Related U.S. Application Data

(62) Division of application No. 29/102,399, filed on Mar. 24,
1999.

(51) **LOC (7) Cl.** **08-08**

(52) **U.S. Cl.** **D8/397**

(58) **Field of Search** D8/397; 411/427,
411/429, 432, 918, 179, 180

(56) **References Cited**

U.S. PATENT DOCUMENTS

D. 140,317	2/1945	Allen	D54/9
D. 186,858	12/1959	Reiner	D54/9
2,552,794	5/1951	Kimbell	85/32
3,053,300	9/1962	Quinto	151/41.72
3,253,631	5/1966	Reusser	151/41.73
4,432,681	2/1984	Capuano	411/180
4,543,023	9/1985	Capuano	411/180
5,190,423	3/1993	Ewing	411/134
5,340,251	8/1994	Takahashi et al.	411/179

OTHER PUBLICATIONS

SPAC HGL, Nut Specifications, by R B & W Corporation,
Forum SP325C009, Rev. Oct. 8, 1996.

SPAC HGLB, Nut Specifications, by R B & W Corporation,
Forum SP325C010, Rev. Oct. 8, 1996.

Primary Examiner—B. J. Bullock

(74) *Attorney, Agent, or Firm*—Pearne & Gordon LLP

(57) **CLAIM**

The ornamental design for a self-piercing clinch nut, as
shown and described.

DESCRIPTION

FIG. 1 is a perspective view of a self-piercing clinch nut
including a plurality of lugs angularly spaced about a central
pilot, showing our new design;

FIG. 2 is a top plan view thereof;

FIG. 3 is a vertical cross-sectional view taken along line 3-3
of FIG. 2;

FIG. 4 is a bottom plan view;

FIG. 5 is a side elevational view;

FIG. 6 is a perspective view similar to FIG. 1 showing
another embodiment of the clinch nut including a plurality
of modified lugs angularly spaced about a central pilot;

FIG. 7 is a top plan view;

FIG. 8 is a vertical cross-sectional view taken in the direc-
tion of the arrows on line 8-8 of FIG. 7;

FIG. 9 is a bottom plan view thereof; and,

FIG. 10 is a side elevational view thereof.

1 Claim, 2 Drawing Sheets

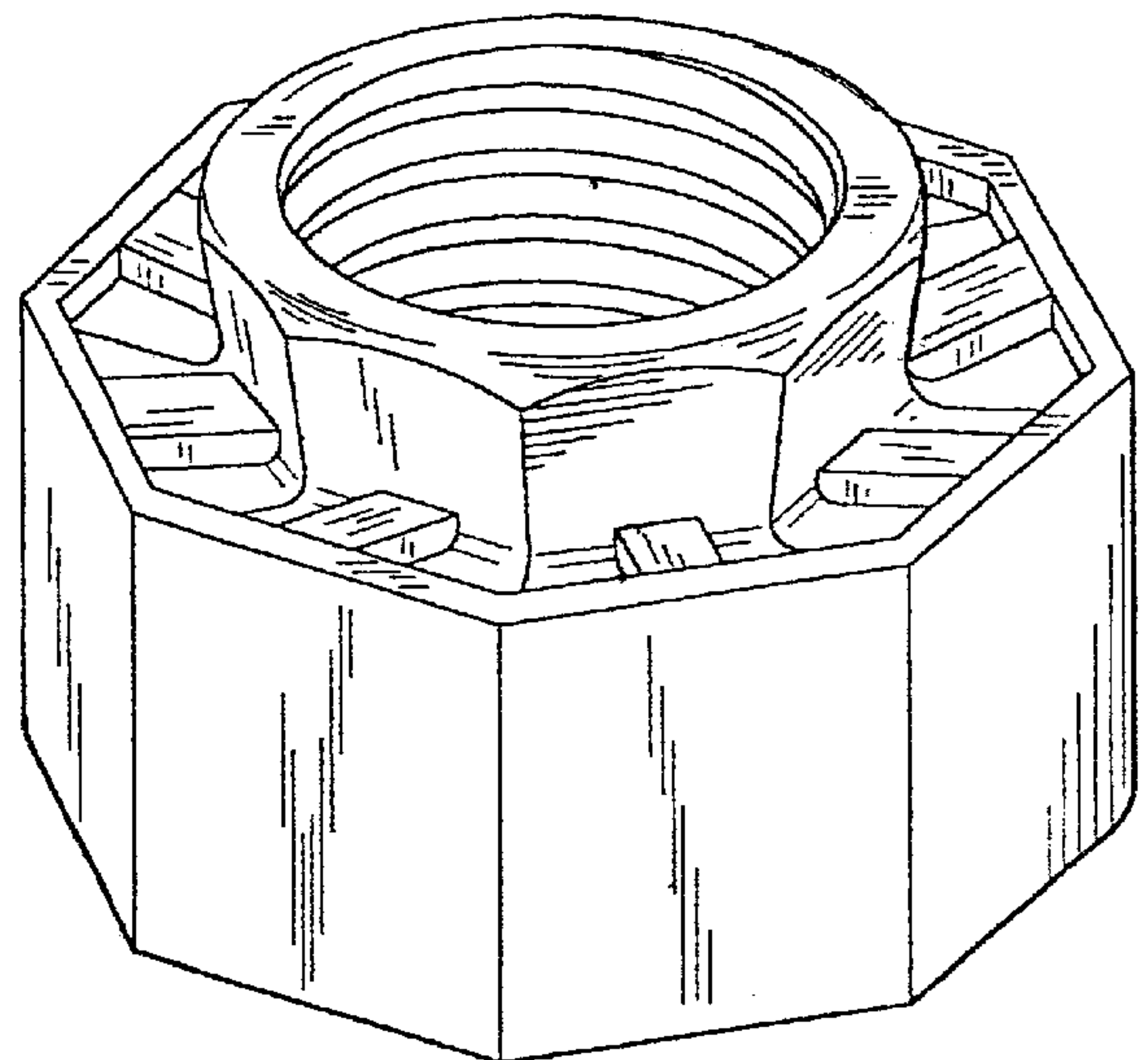
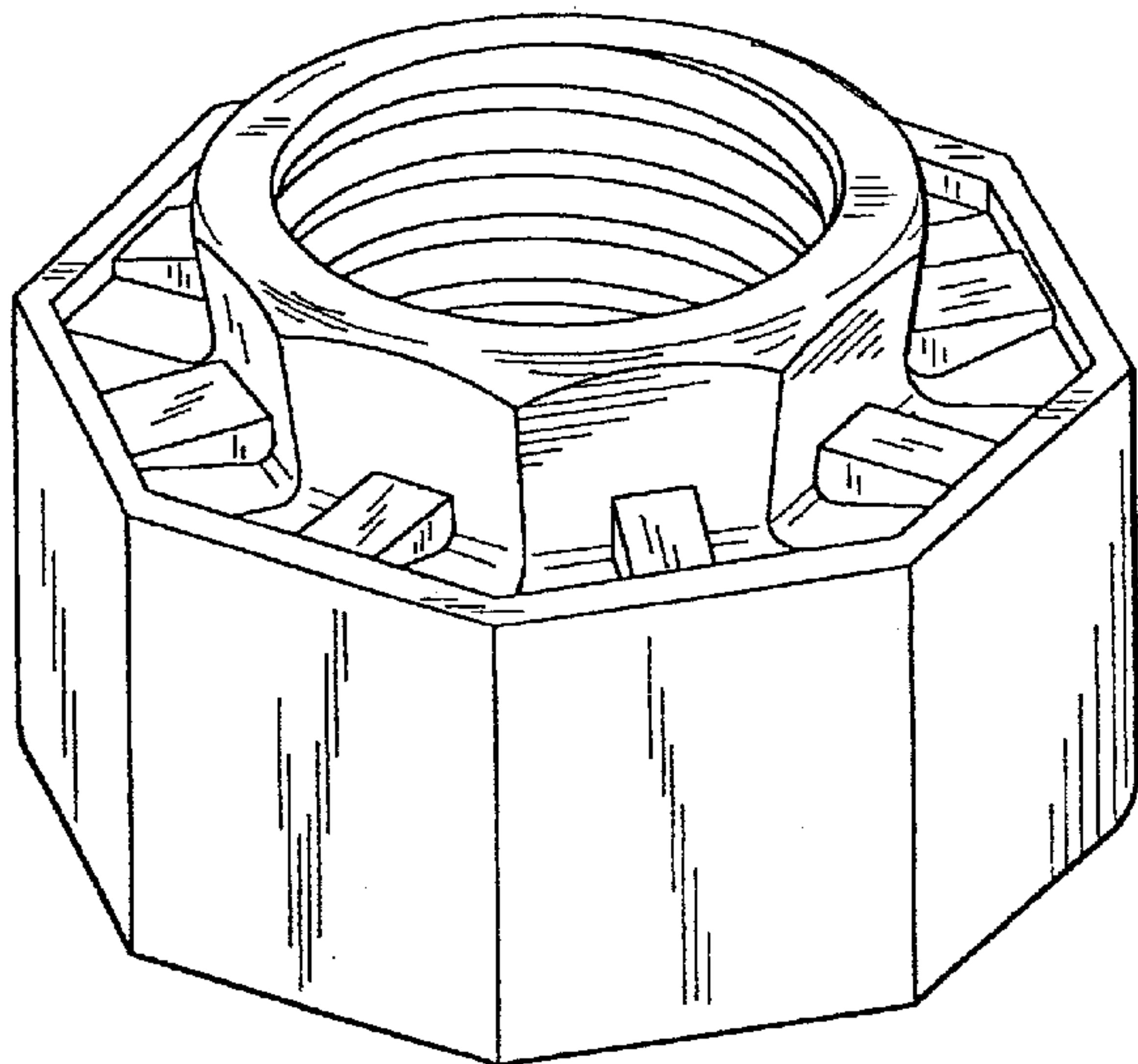


FIG. 1

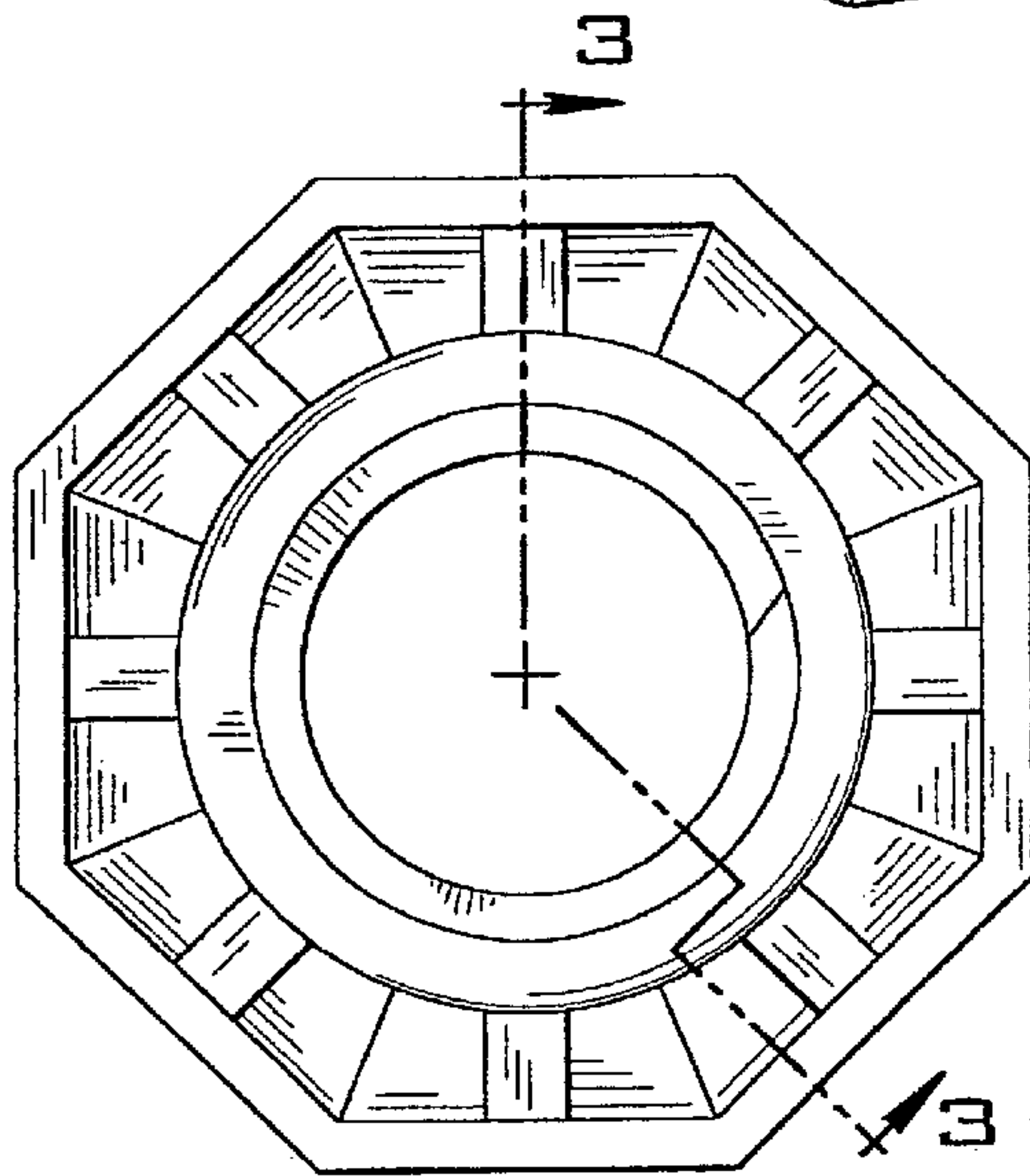
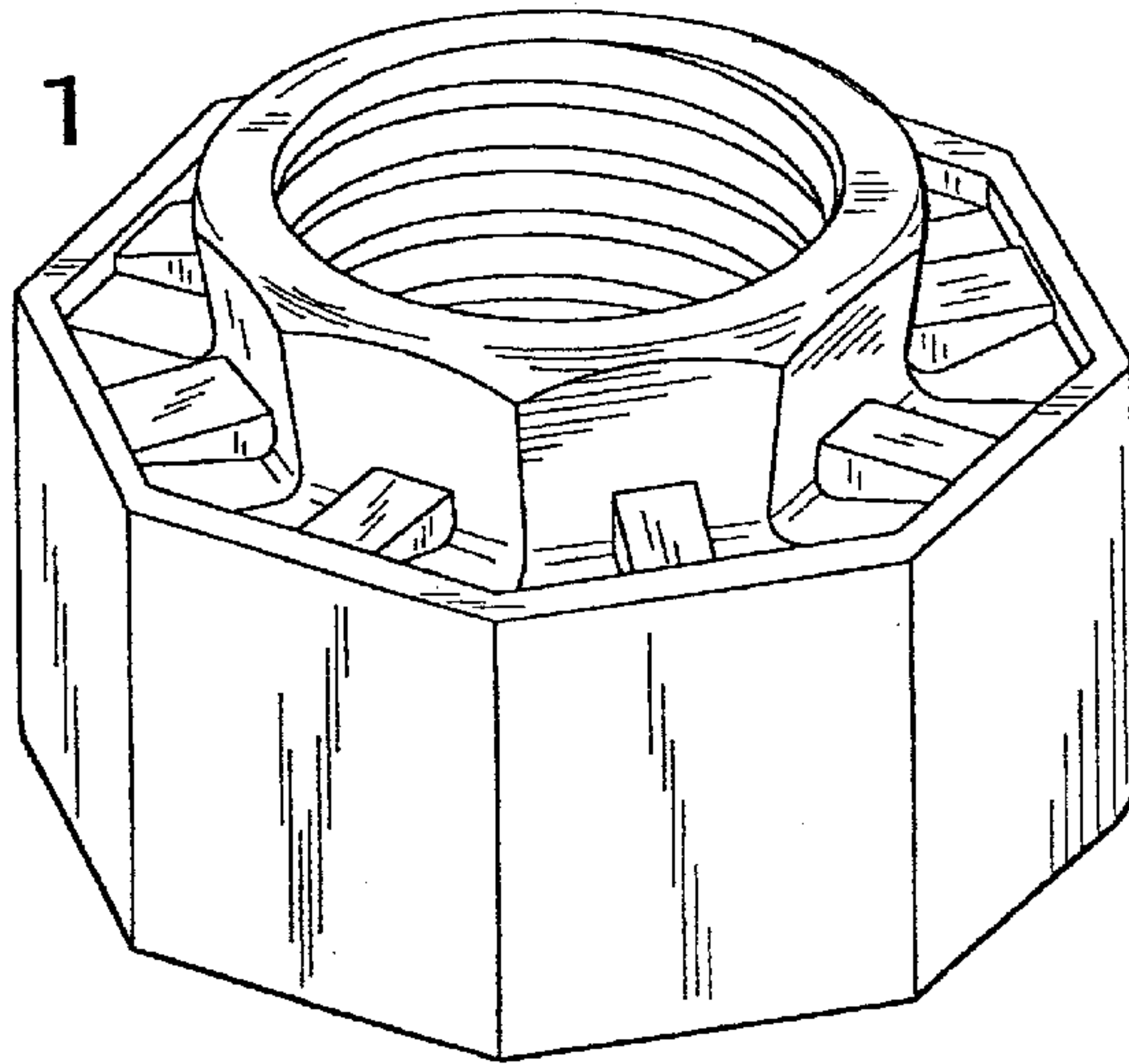


FIG. 2

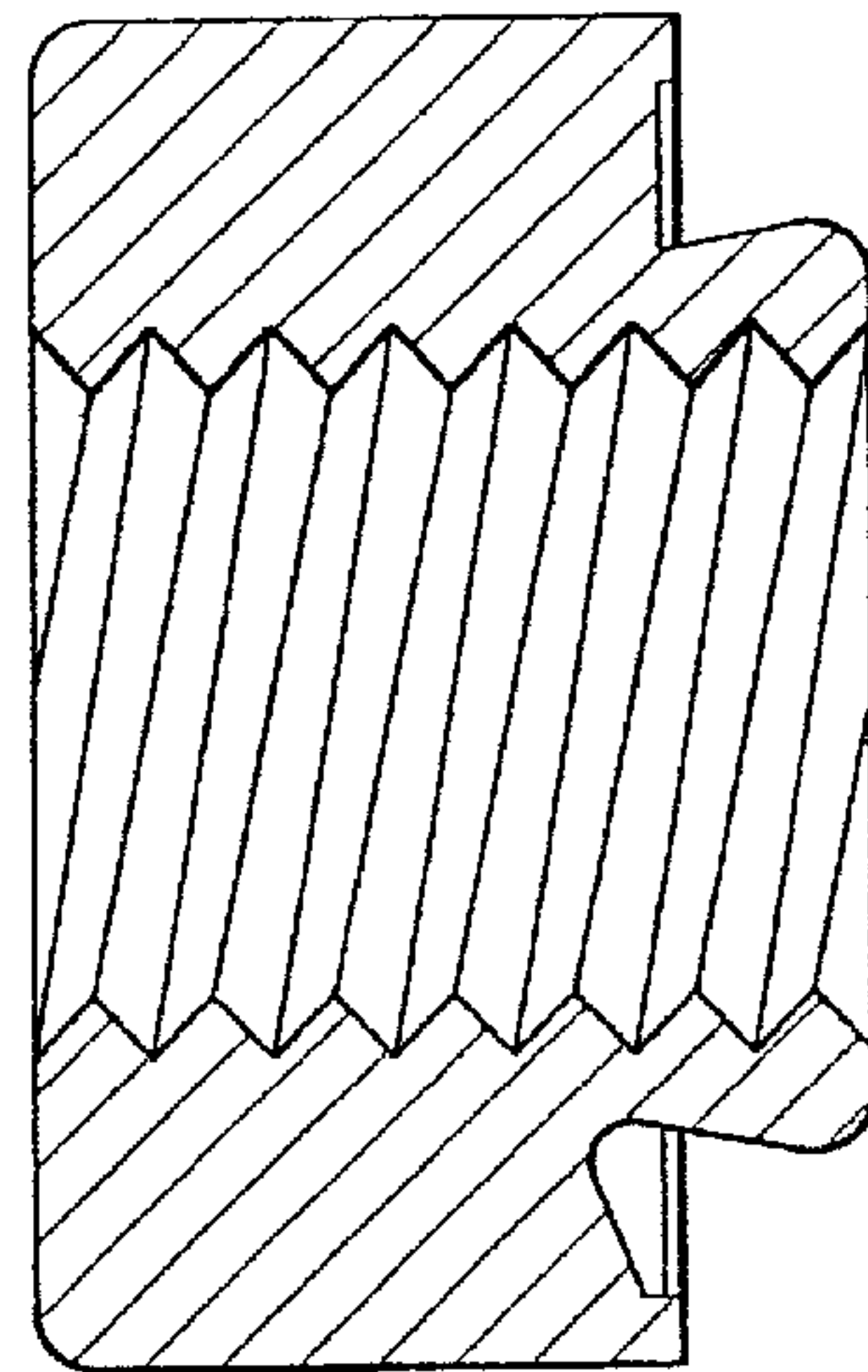


FIG. 3

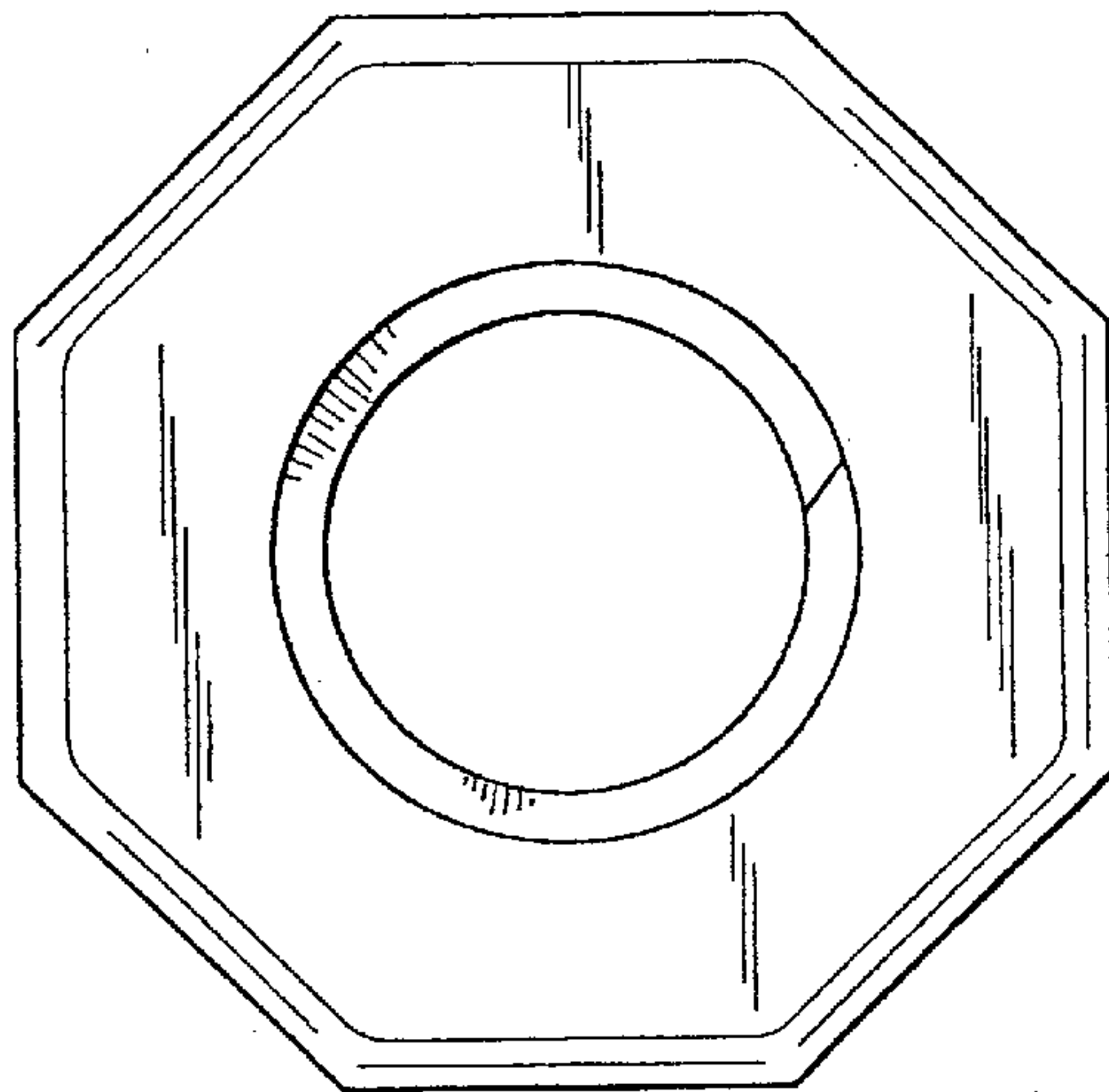


FIG. 4

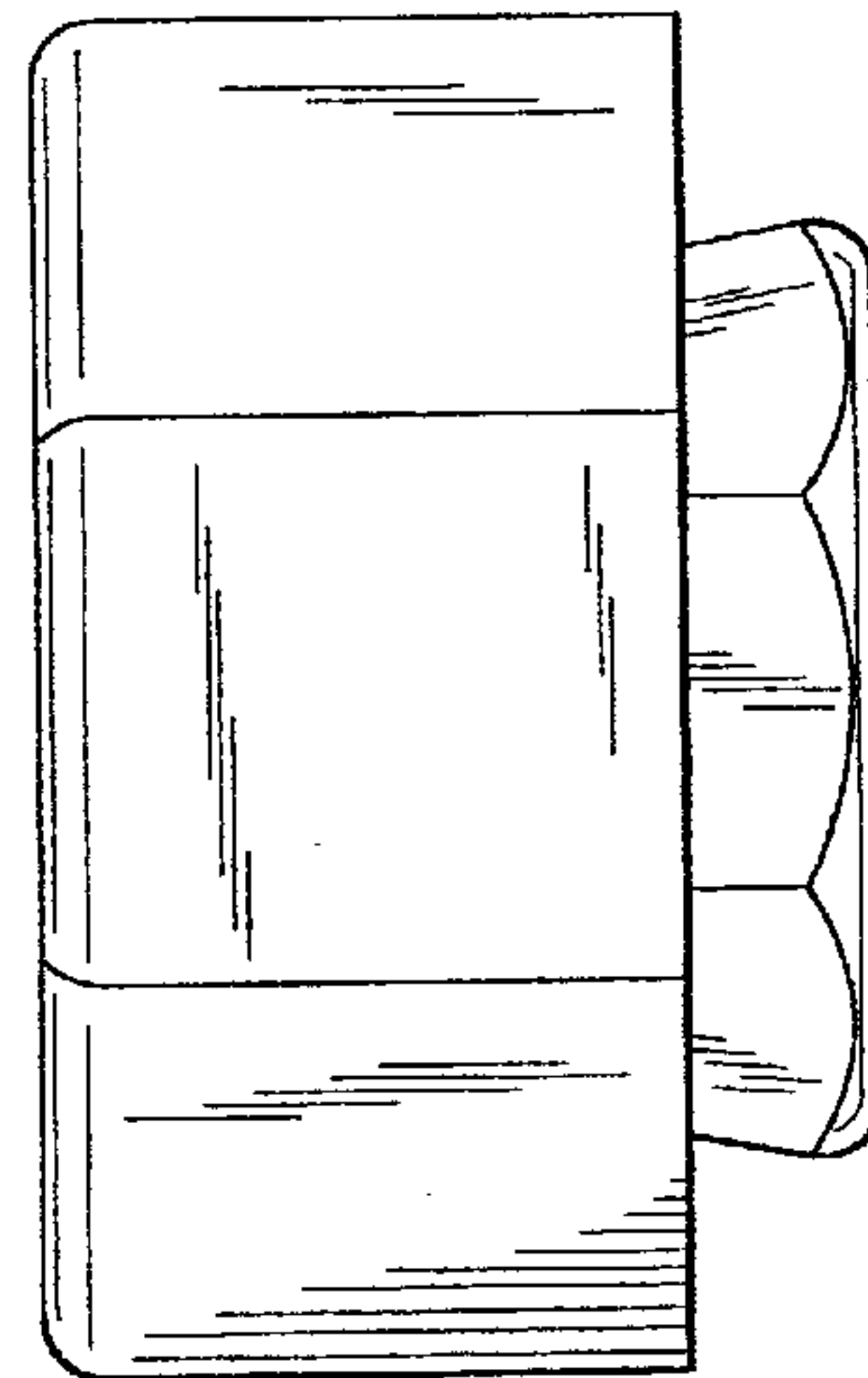


FIG. 5

FIG. 6

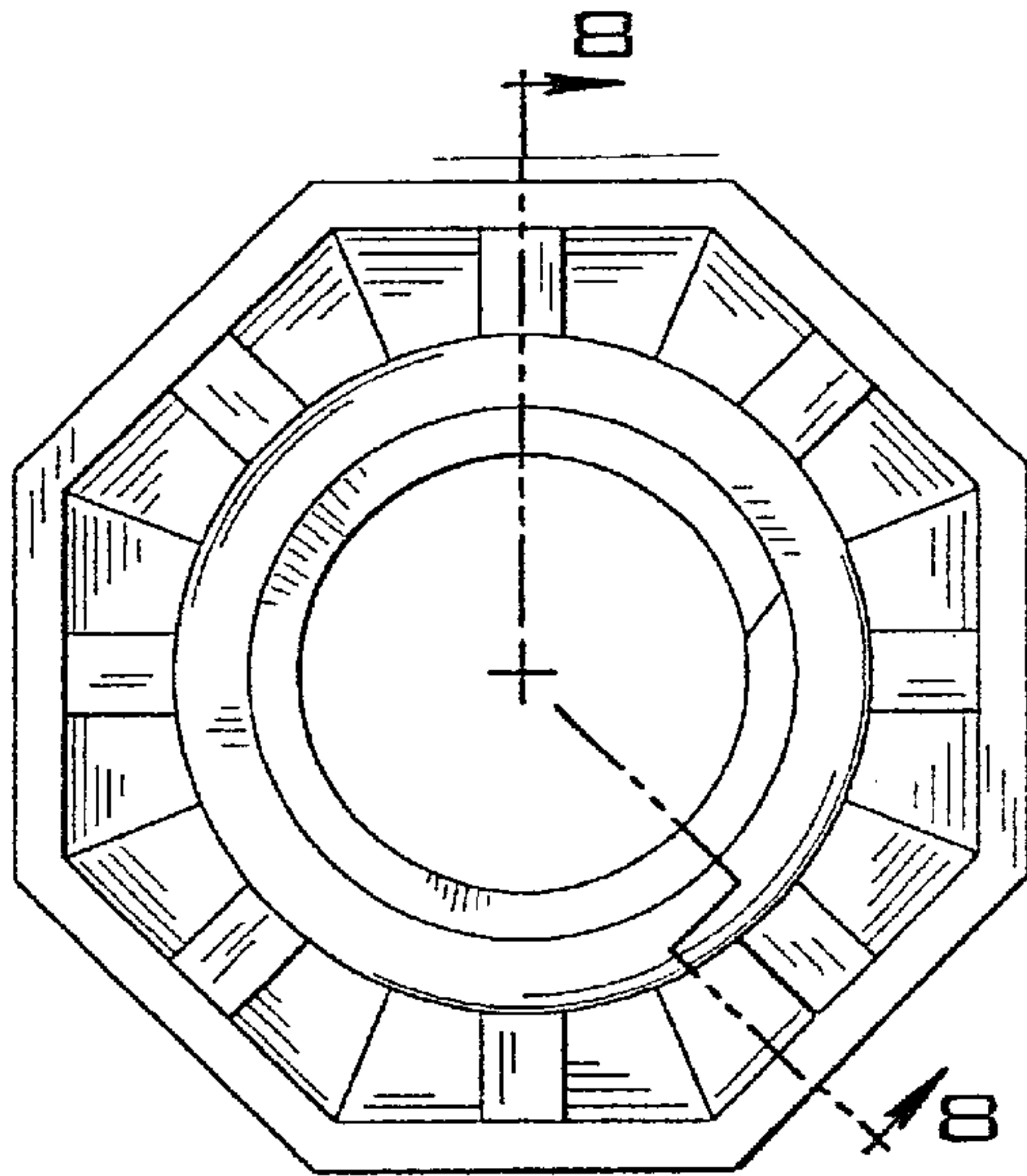
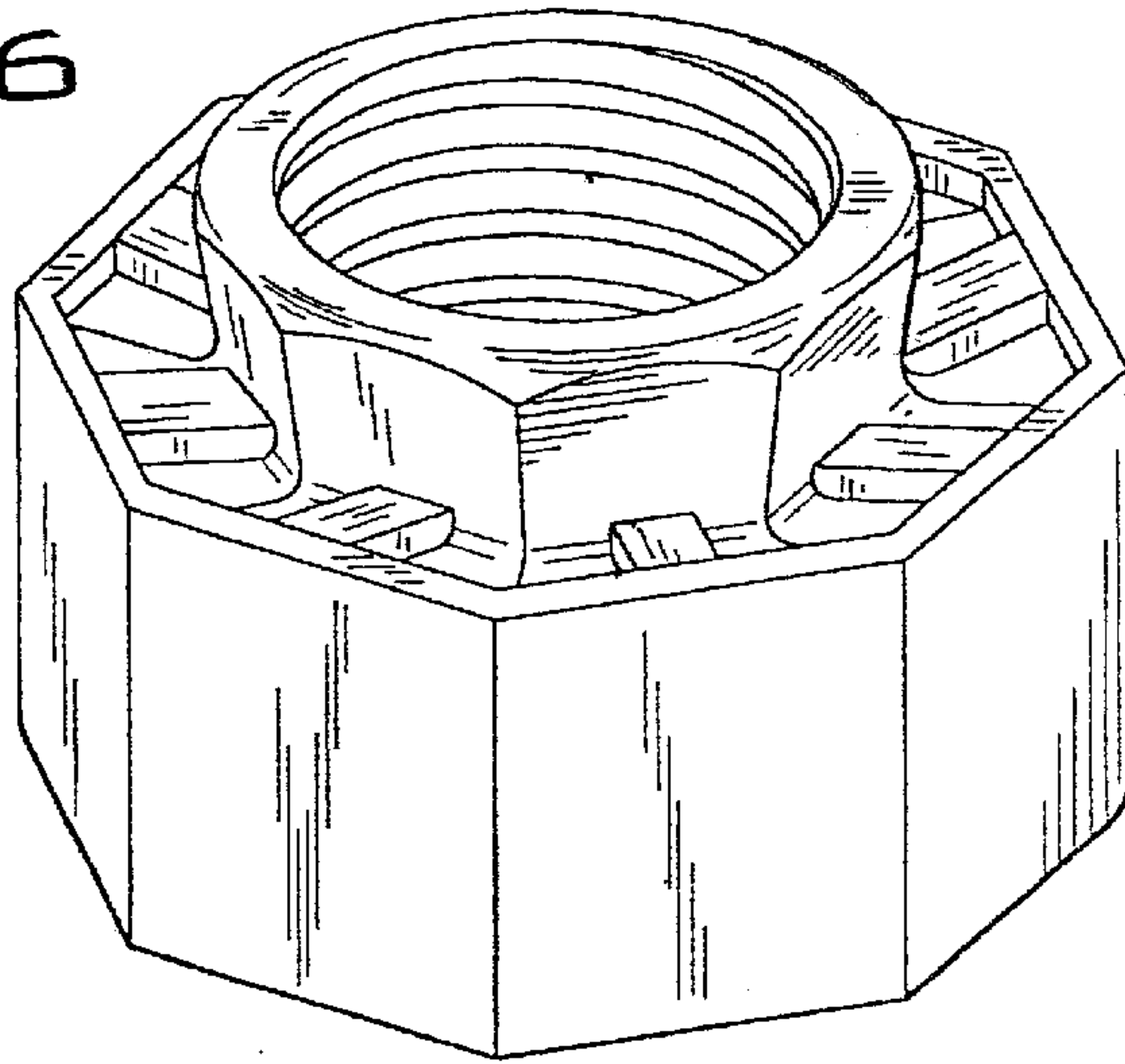


FIG. 7

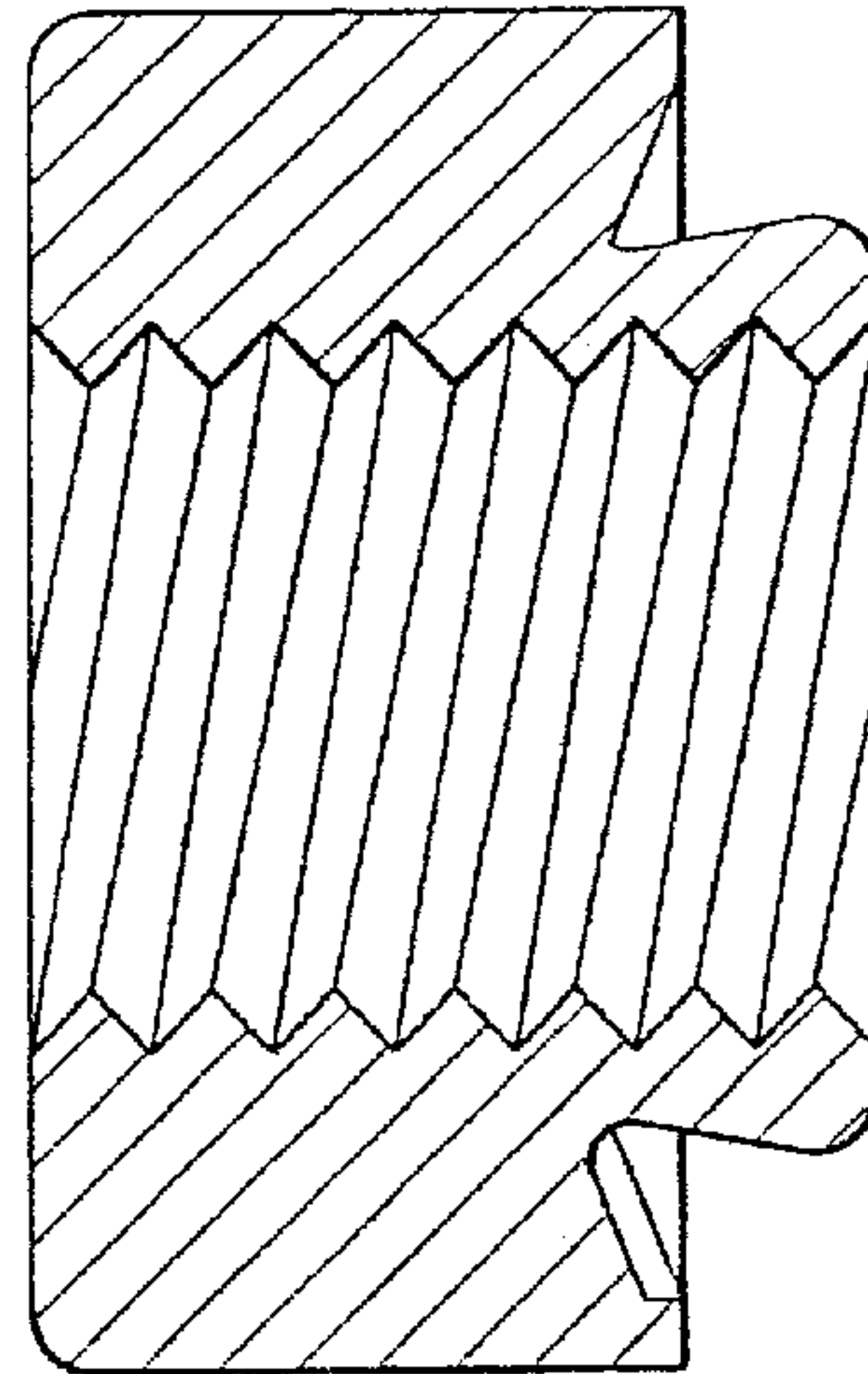


FIG. 8

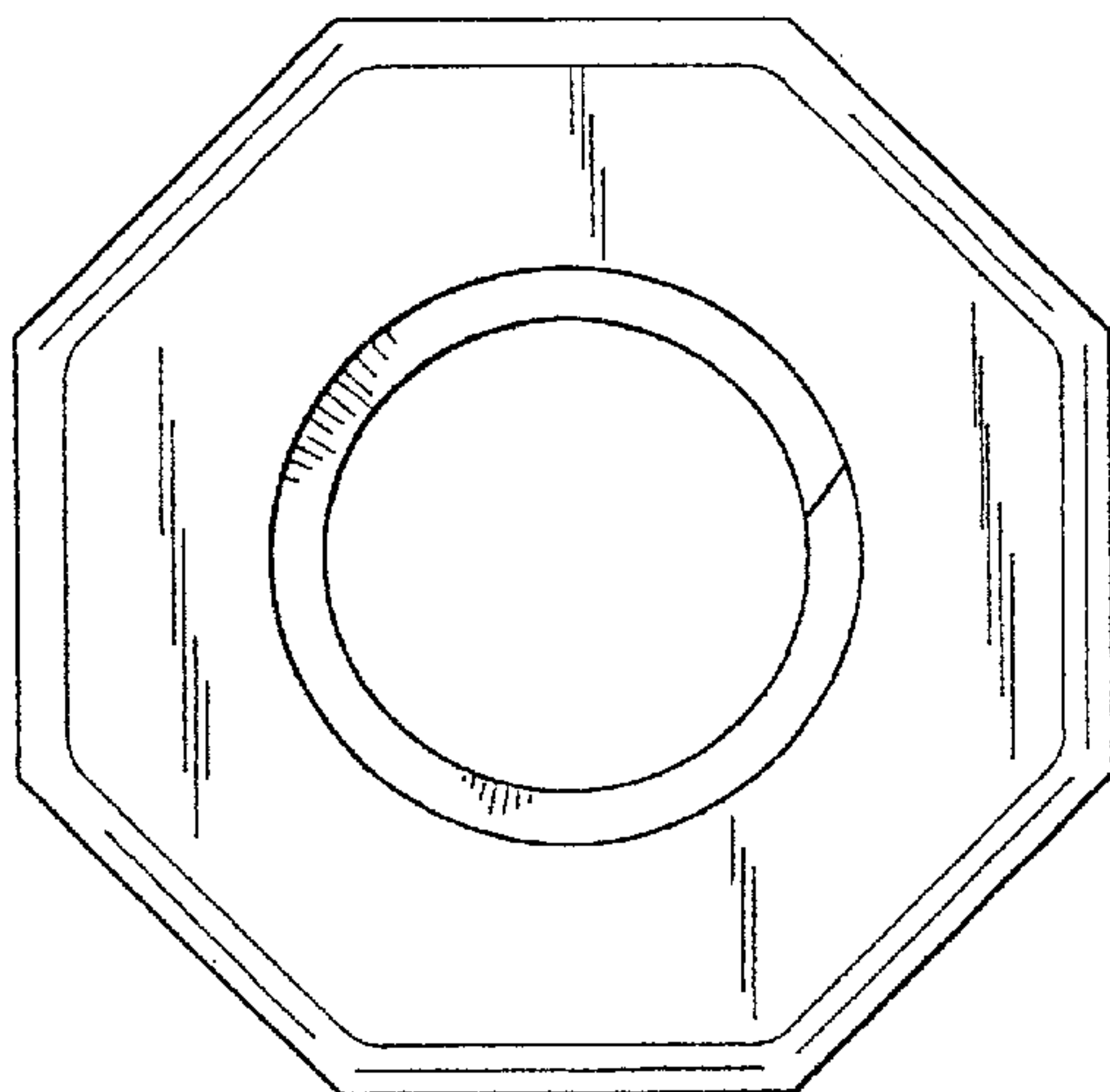


FIG. 9

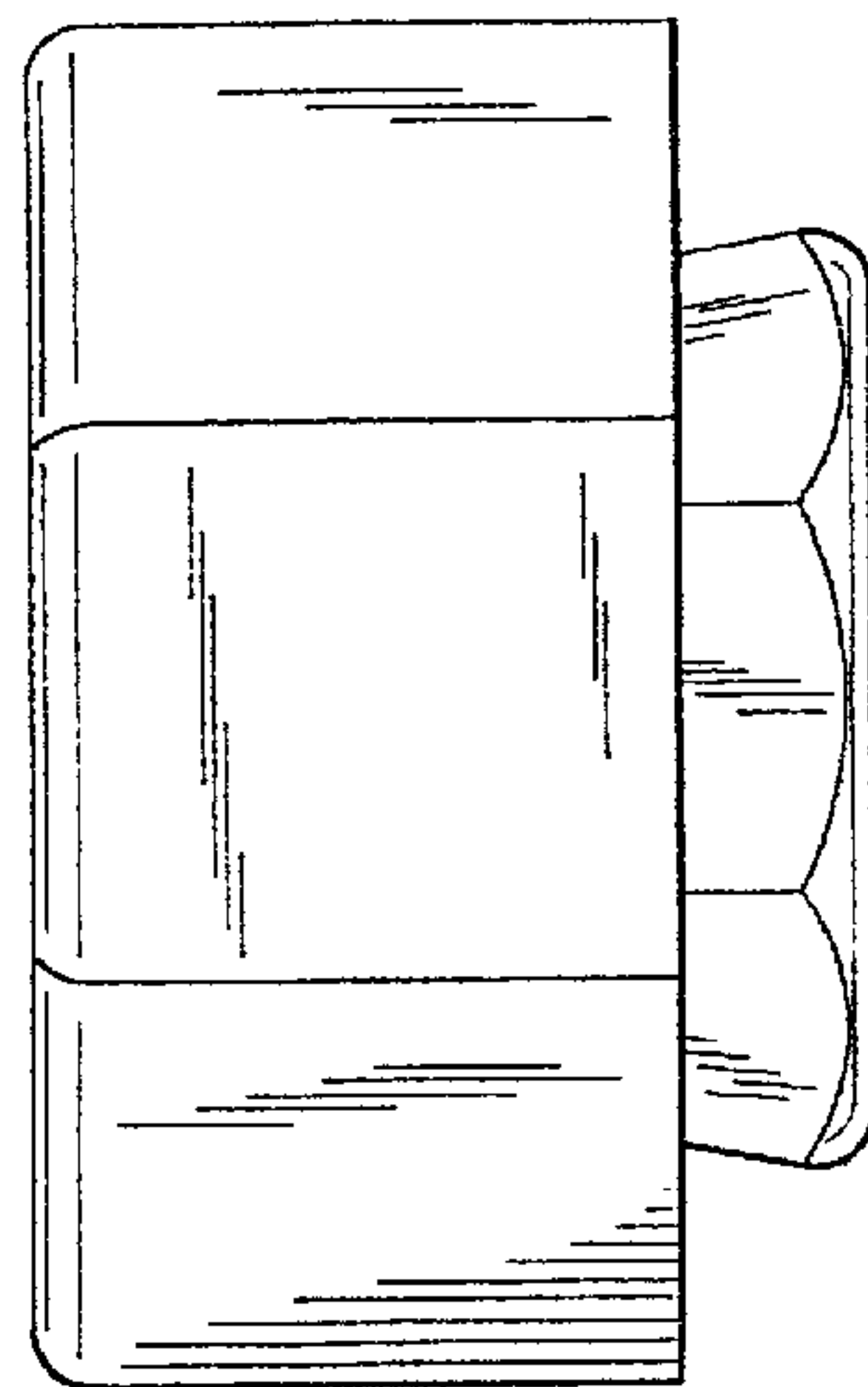


FIG. 10