



US00D440863S

(12) **United States Design Patent**
Worrall

(10) **Patent No.:** **US D440,863 S**

(45) **Date of Patent:** **** Apr. 24, 2001**

(54) **BRACKET, PRINCIPALLY FOR SUPPORTING A TELEVISION SET**

D. 387,653 * 12/1997 Vogels D8/363
D. 411,098 * 6/1999 Vogels D8/363

(75) Inventor: **Raymond Worrall**, Wolverhampton (GB)

* cited by examiner

(73) Assignee: **AVF Group Limited** (GB)

Primary Examiner—Holly Baynham

(**) Term: **14 Years**

(74) *Attorney, Agent, or Firm*—SAIDMAN DesignLaw Group

(21) Appl. No.: **29/110,751**

(22) Filed: **Sep. 13, 1999**

(30) **Foreign Application Priority Data**

Mar. 13, 1999 (GB) 2081950

(51) **LOC (7) Cl.** **08-05**

(52) **U.S. Cl.** **D8/363**

(58) **Field of Search** D8/363; D14/238; 248/284, 220.2, 241, 670

(56) **References Cited**

U.S. PATENT DOCUMENTS

D. 373,071 * 8/1996 Vogels D8/363

(57) **CLAIM**

The ornamental design for a bracket, principally for supporting a television set, as shown.

DESCRIPTION

FIG. 1 is a top plan view of the bracket with parts thereof in a first position;

FIG. 2 is a top plan view of the bracket with said parts in a second position;

FIG. 3 is a perspective view of the bracket shown in FIG. 2;

FIG. 4 is a side view of the bracket shown in FIG. 2, with the opposite side view corresponding; and,

FIG. 5 is a front view of the bracket shown in FIG. 2.

1 Claim, 5 Drawing Sheets

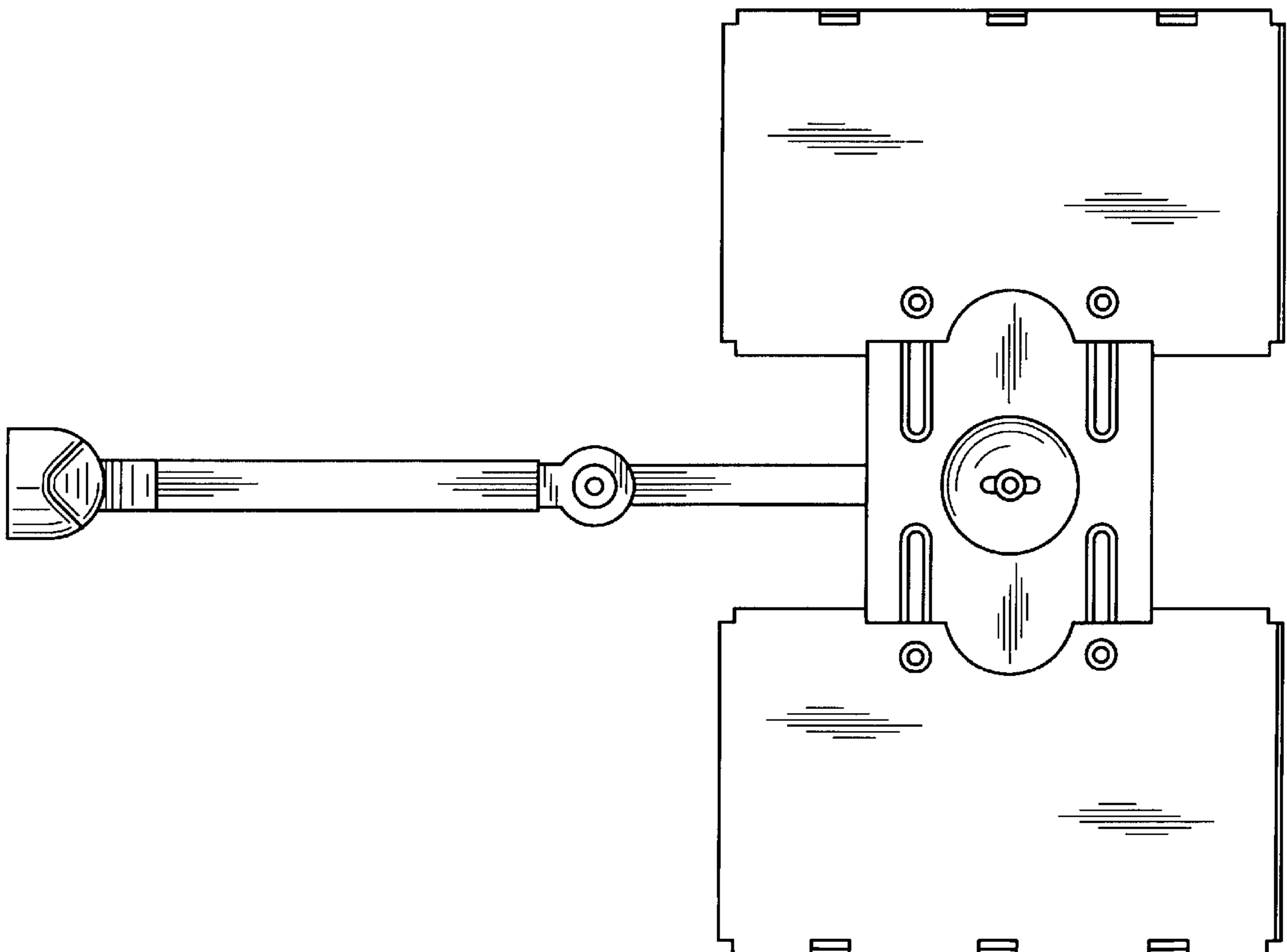
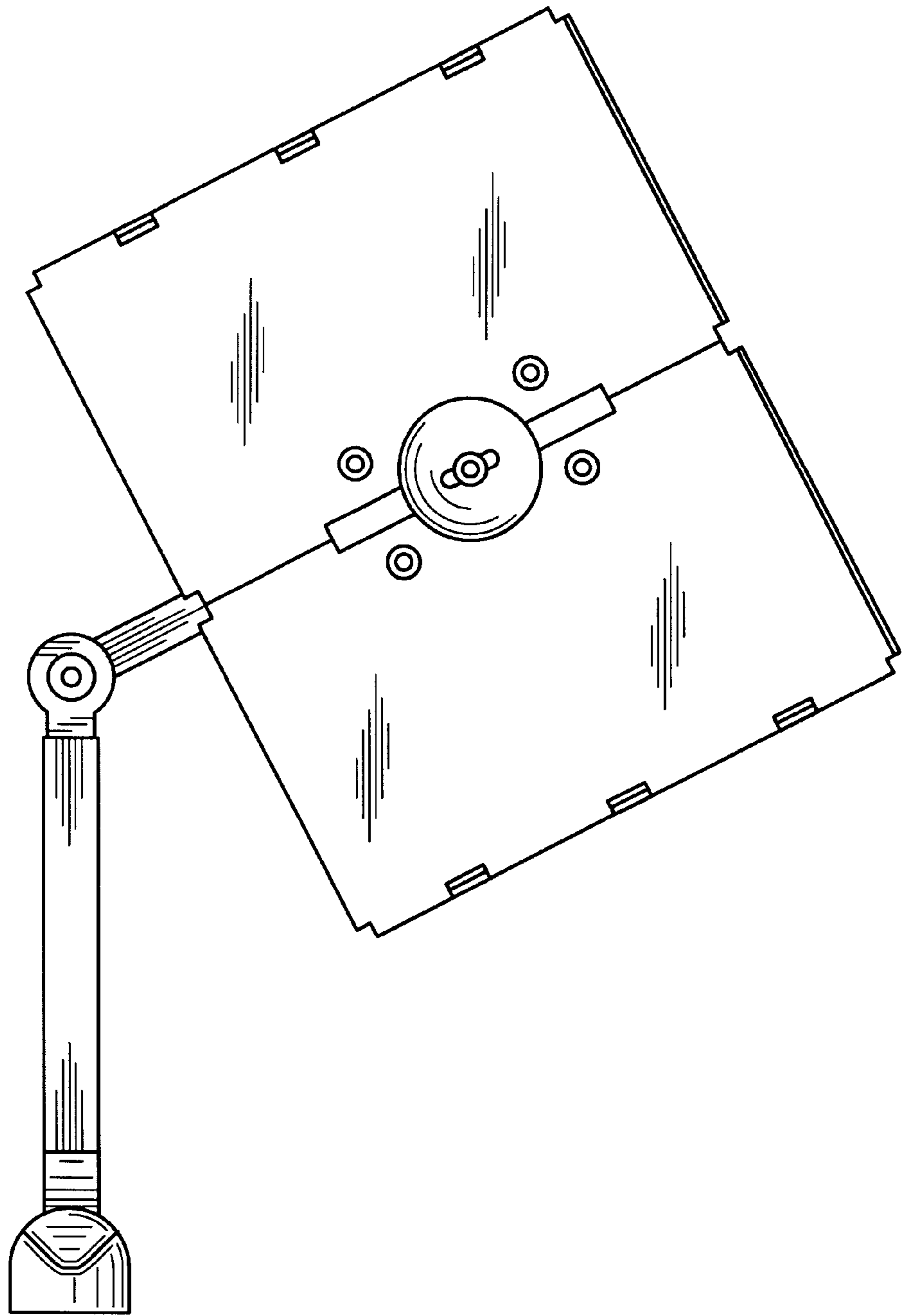


FIG. 1



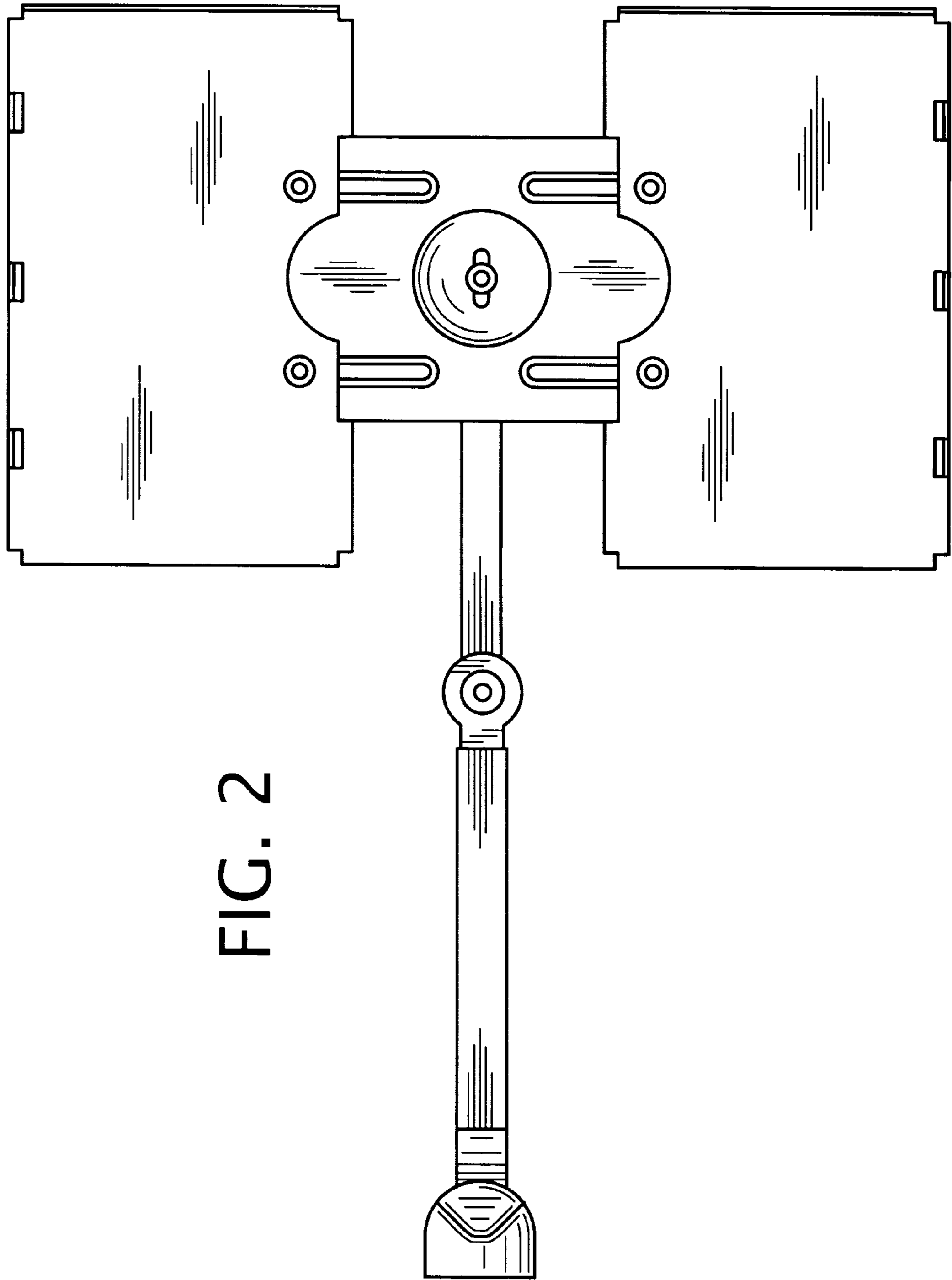


FIG. 2

FIG. 3

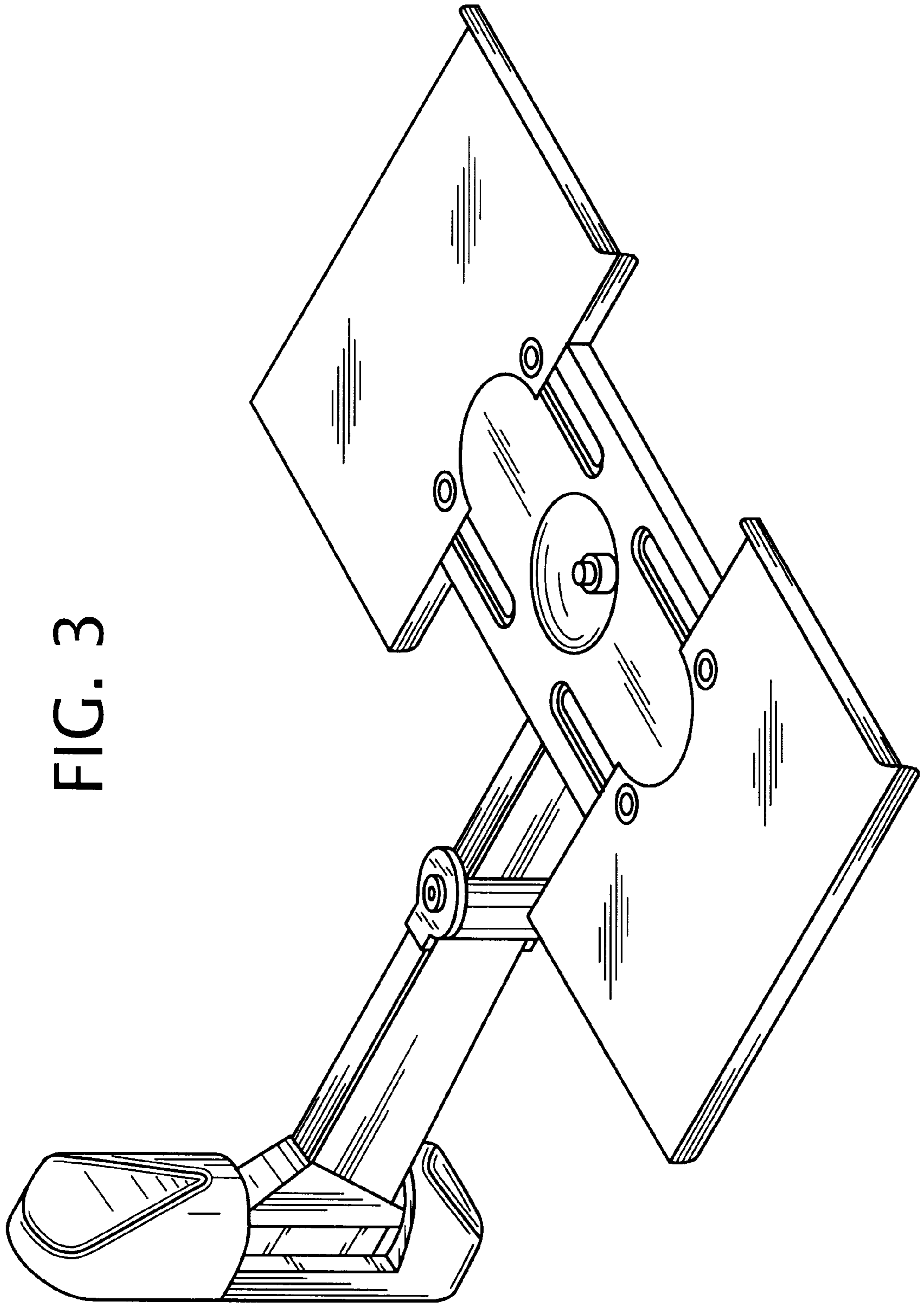


FIG. 4

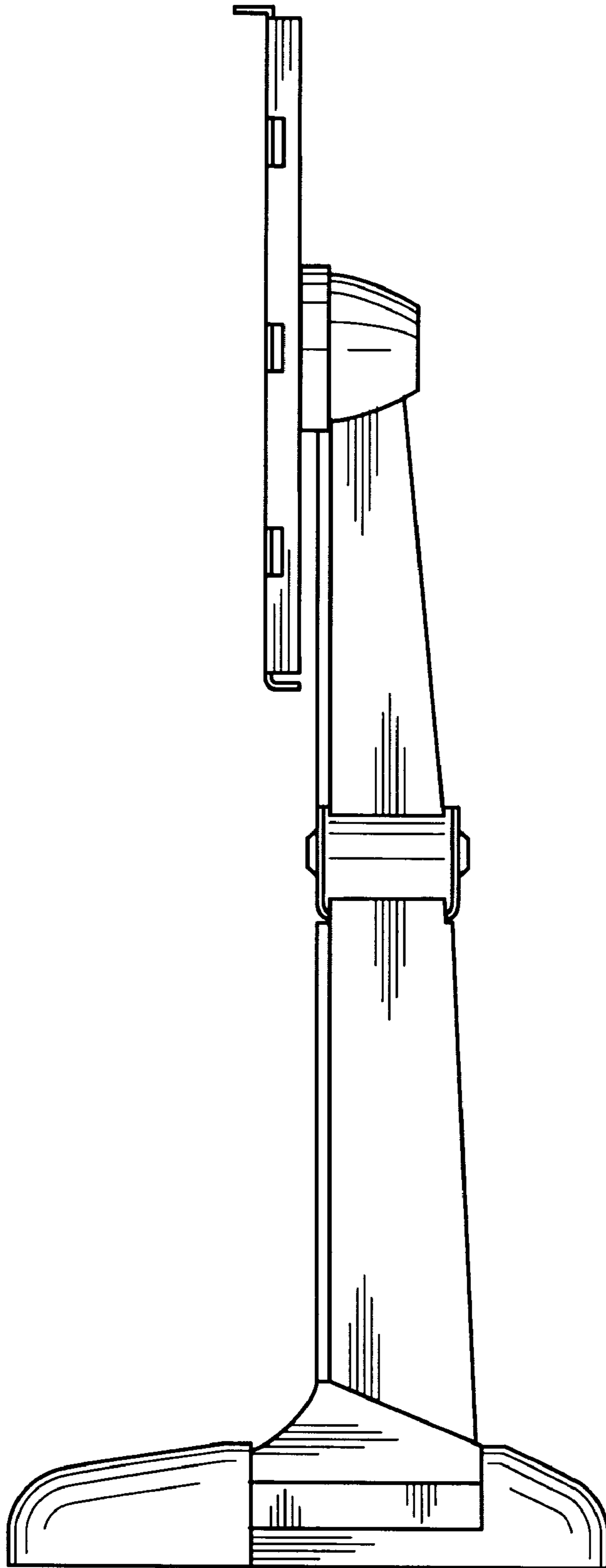


FIG. 5

