



US00D440862S

(12) **United States Design Patent**
Kaczmarski et al.

(10) **Patent No.:** **US D440,862 S**

(45) **Date of Patent:** **** Apr. 24, 2001**

(54) **TOOL ATTACHMENT BRACKET FOR SKID STEER LOADER MOUNTING PLATE**

Primary Examiner—Holly Baynham
(74) *Attorney, Agent, or Firm*—Westman, Champlin & Kelly, P.A.

(75) **Inventors:** **Wally L. Kaczmarski**, Lisbon; **Craig A. Berard**, Oakes, both of ND (US)

(57) **CLAIM**

(73) **Assignee:** **Clark Equipment Company**, Woodcliff Lake, NJ (US)

The ornamental design for a tool attachment bracket for skid steer loader mounting plate, as shown.

(**) **Term:** **14 Years**

DESCRIPTION

(21) **Appl. No.:** **29/123,228**

FIG. 1 is a perspective view of a tool attachment bracket for skid steer loader mounting plate;

(22) **Filed:** **May 12, 2000**

FIG. 2 is a top plan view thereof;

(51) **LOC (7) Cl.** **08-05**

FIG. 3 is a front elevational view thereof;

(52) **U.S. Cl.** **D8/354**

FIG. 4 is a left side view thereof;

(58) **Field of Search** D8/349, 354; 248/200, 248/300

FIG. 5 is a right side view thereof;

(56) **References Cited**

FIG. 6 is a rear elevational view thereof; and,

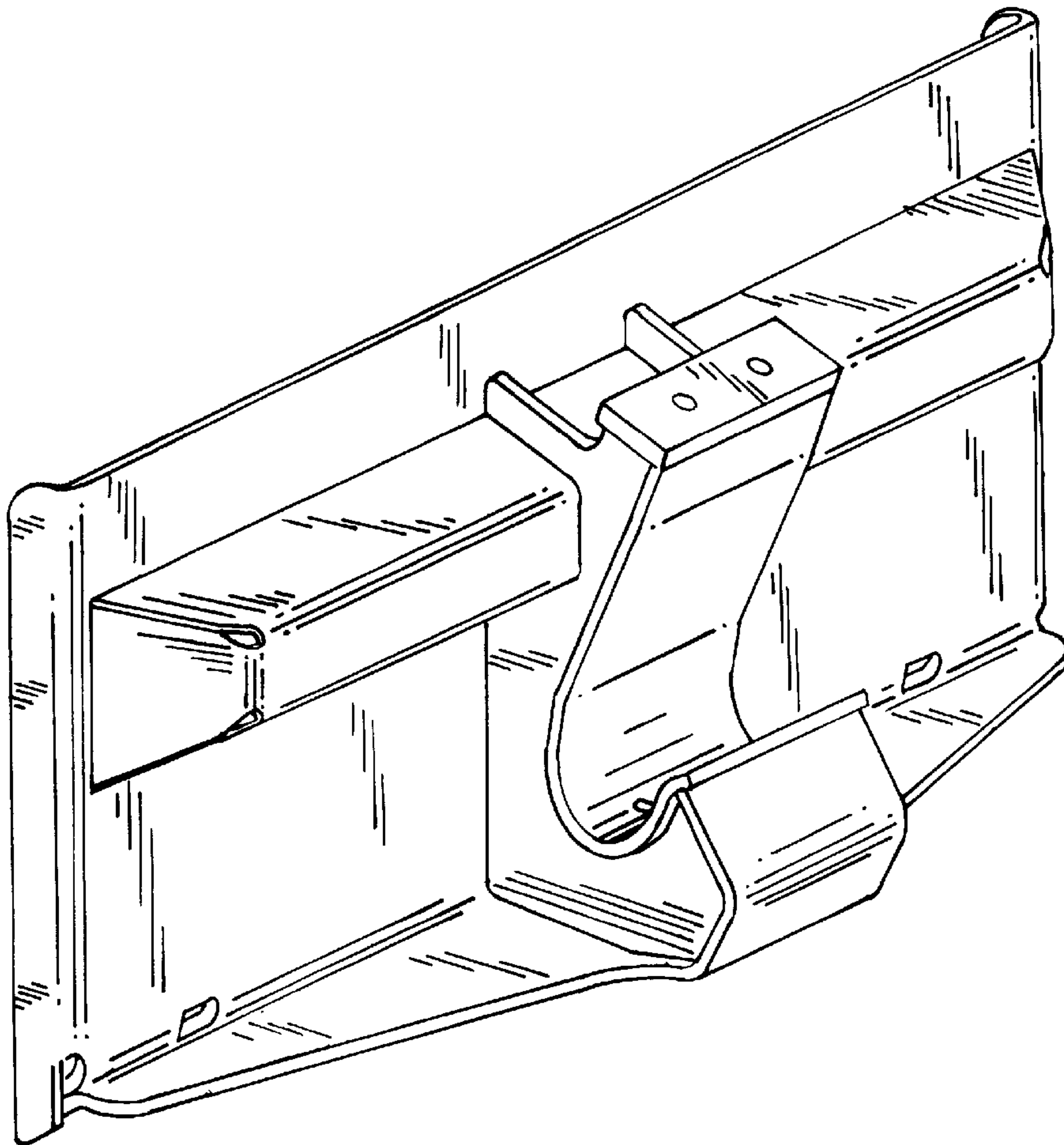
U.S. PATENT DOCUMENTS

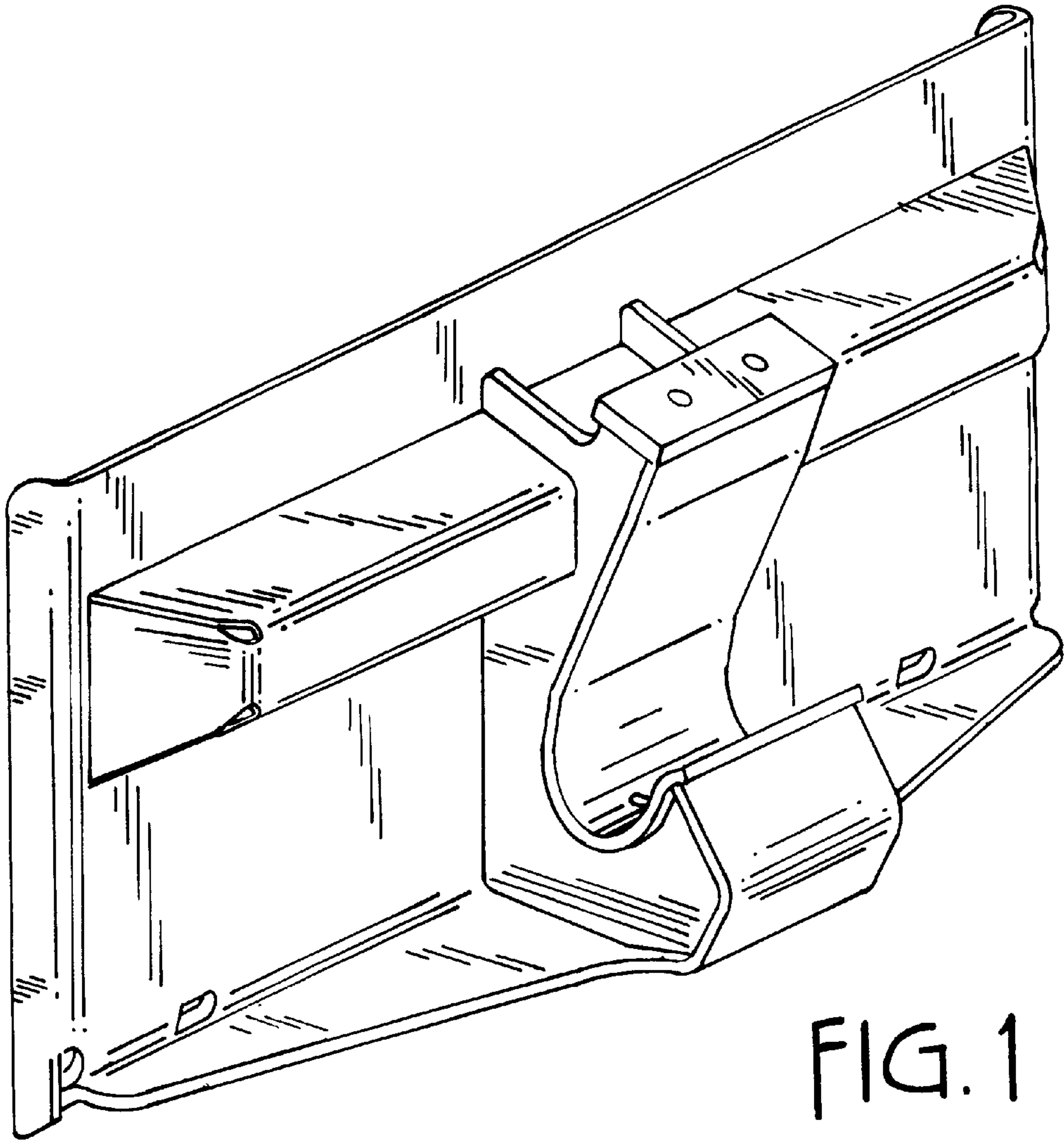
FIG. 7 is a bottom plan view thereof.

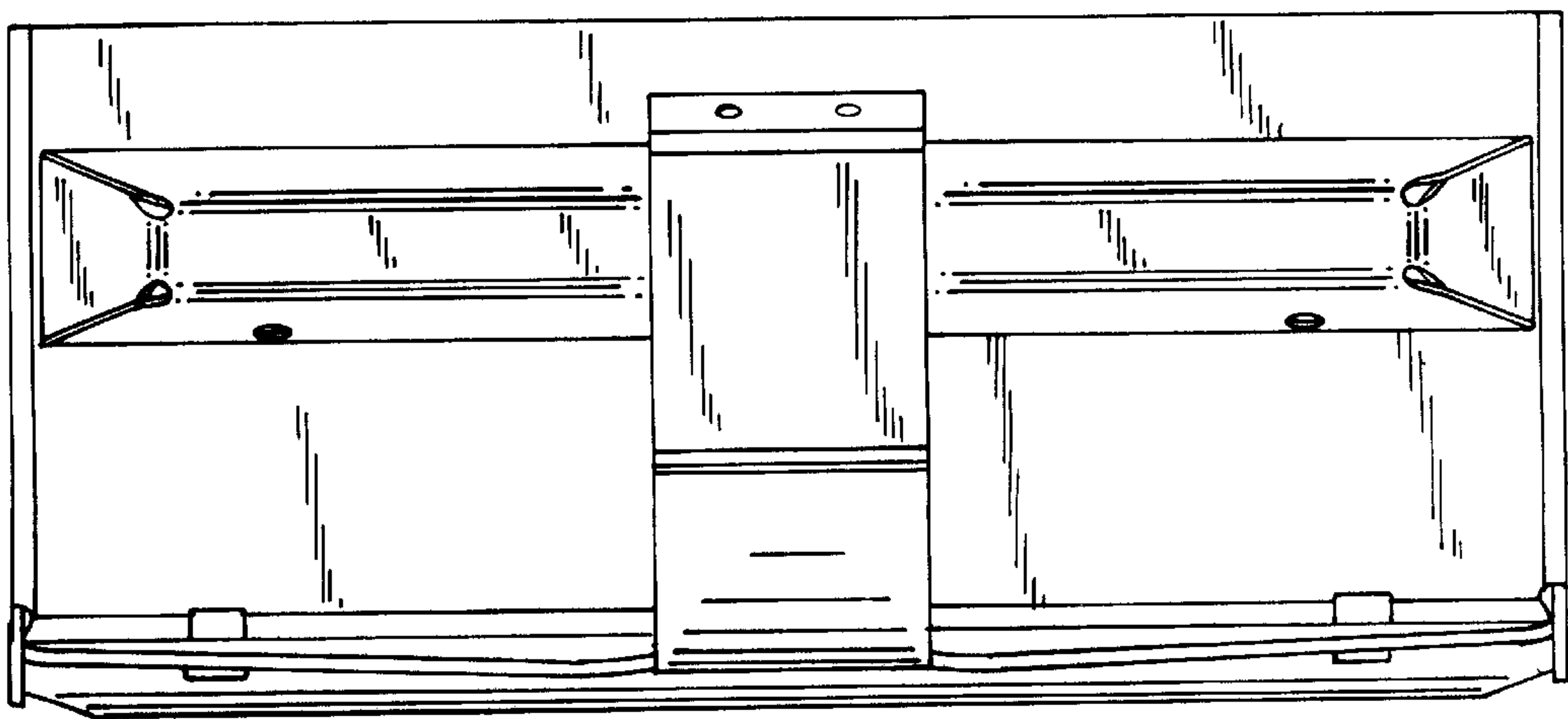
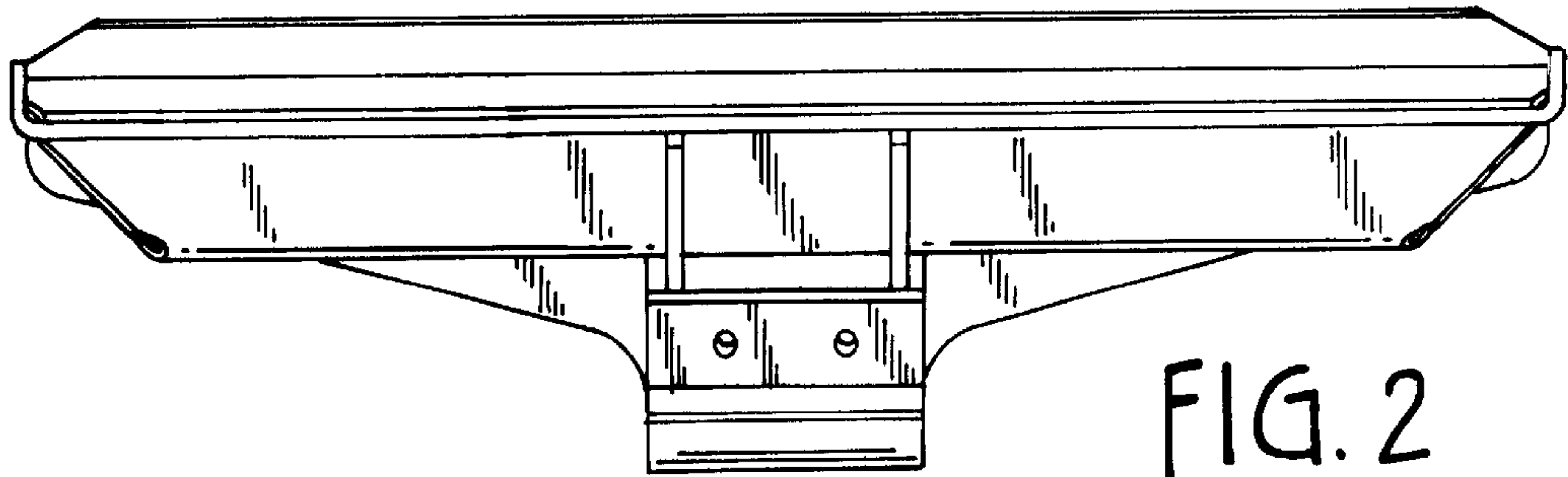
D. 299,003 * 12/1988 Fadeley, Jr. D8/367

* cited by examiner

1 Claim, 4 Drawing Sheets







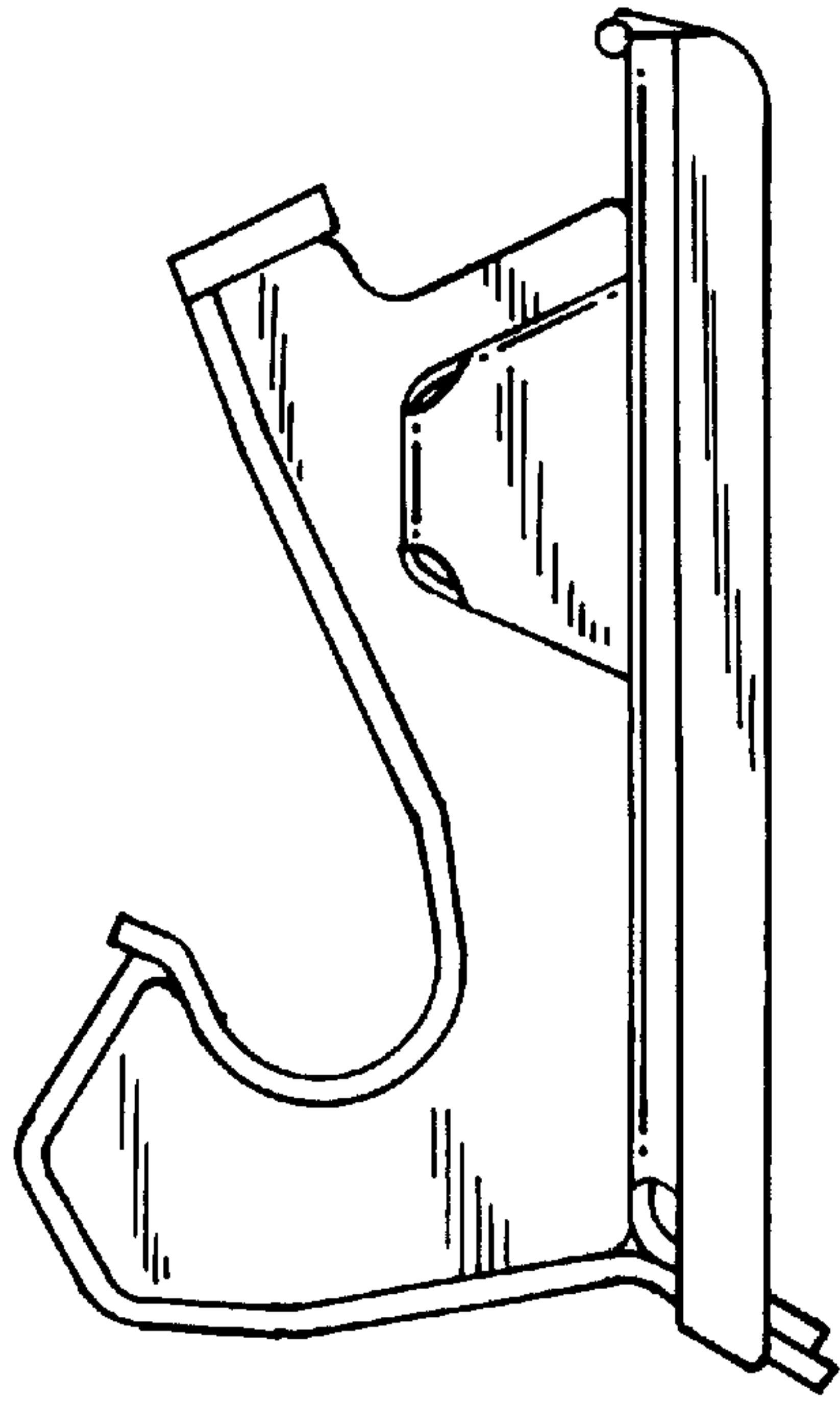


FIG. 4

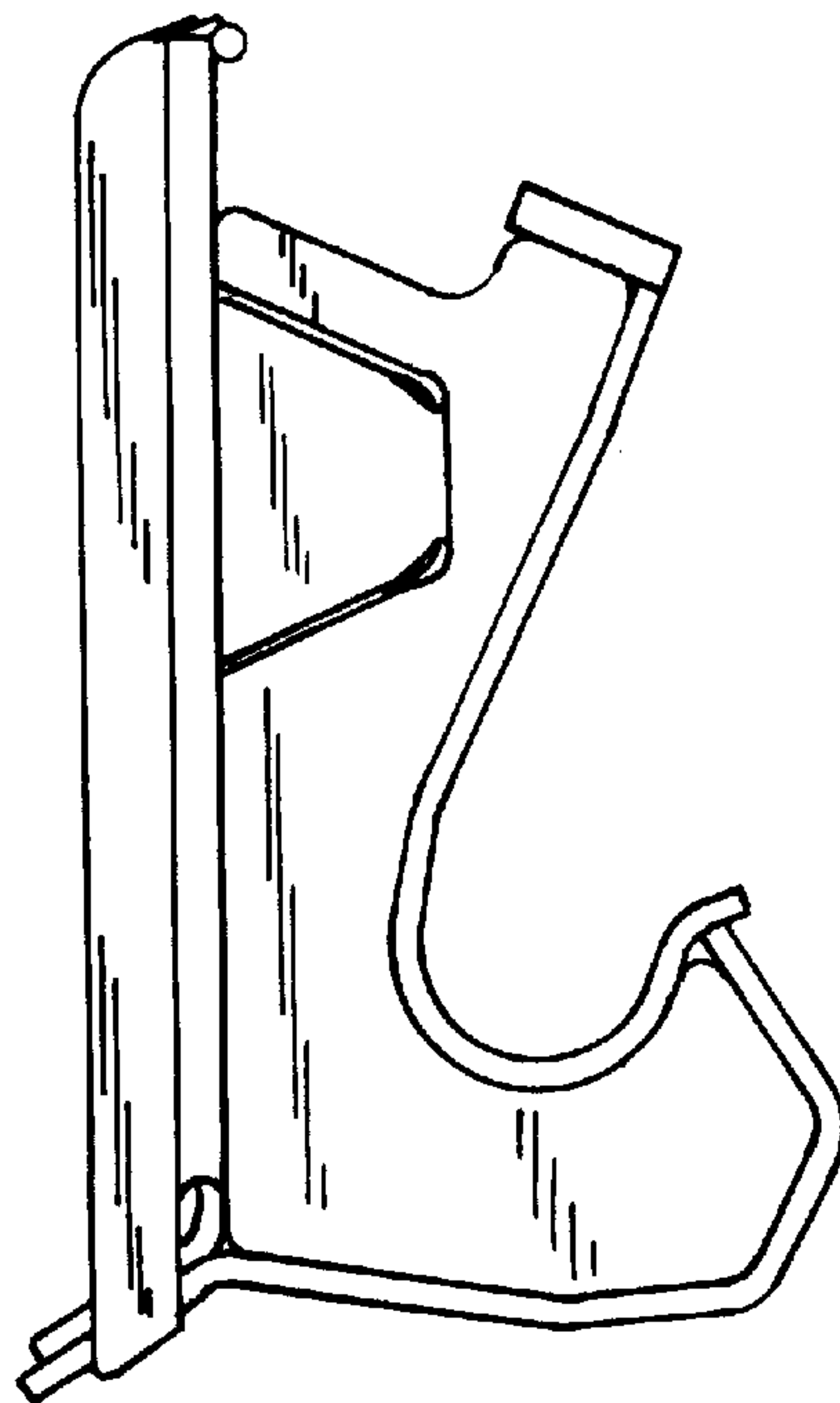


FIG. 5

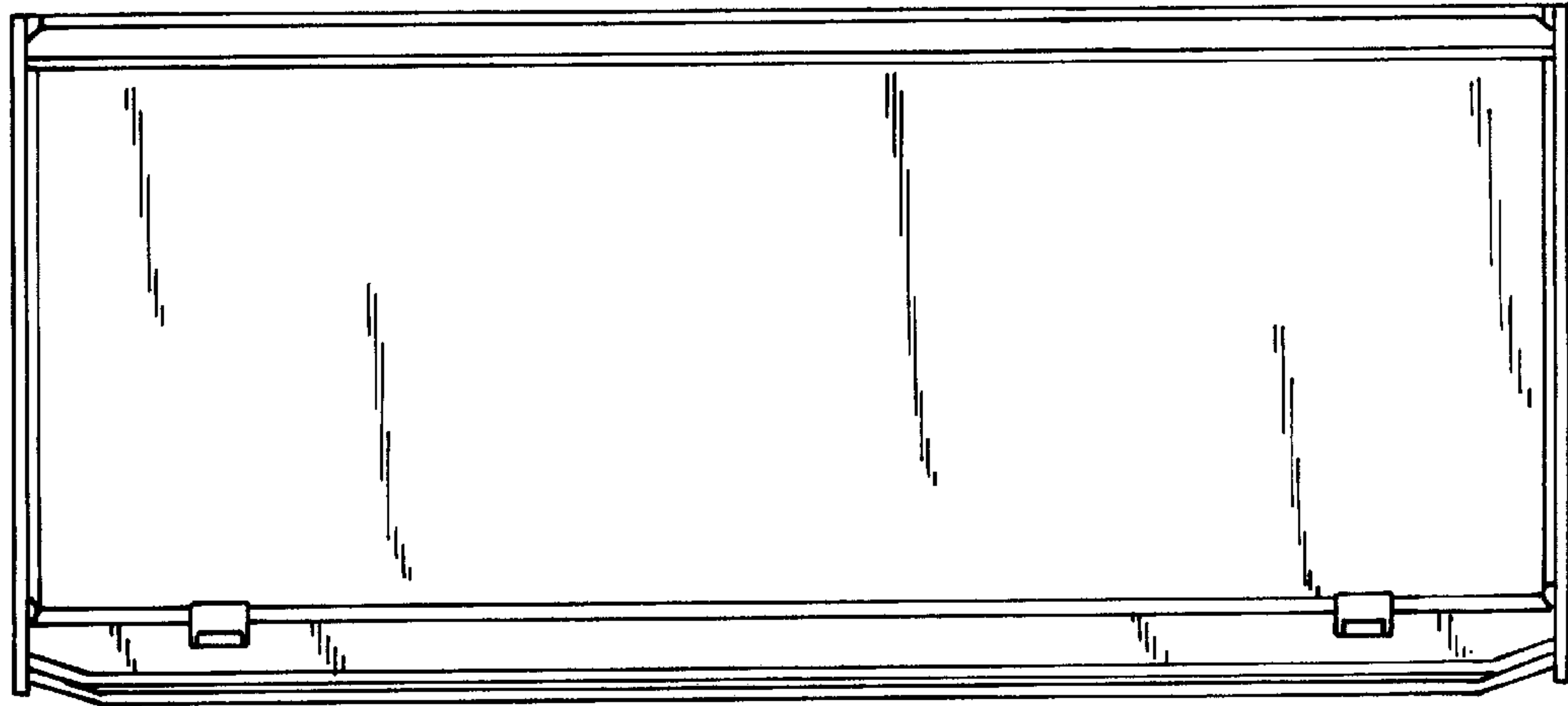


FIG. 6

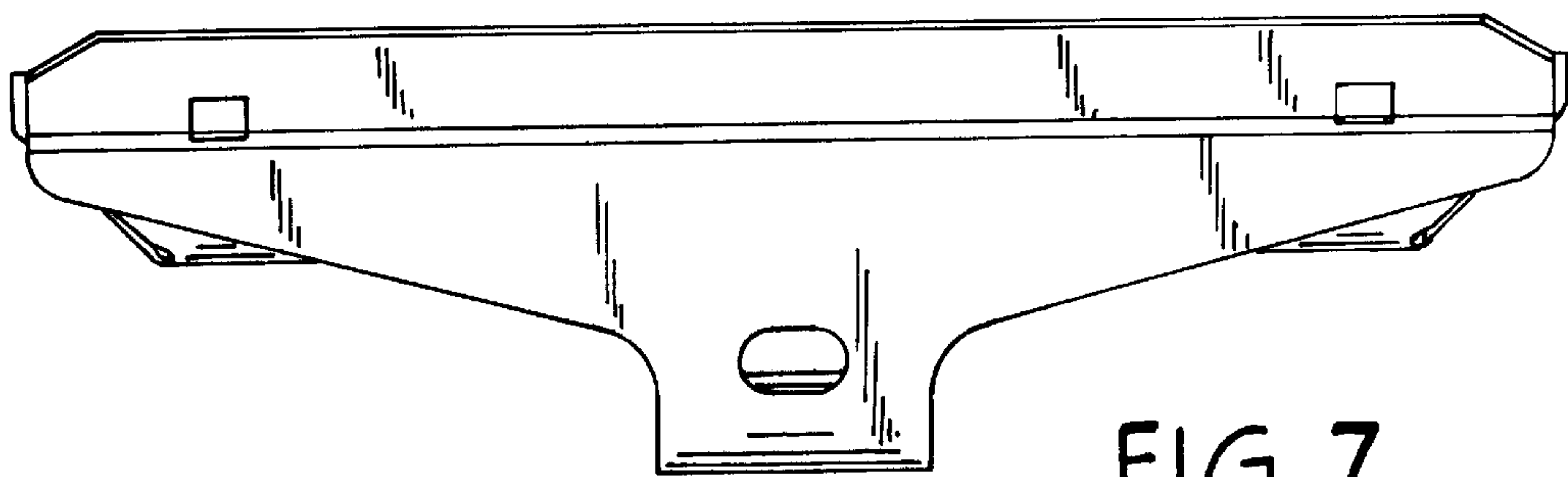


FIG. 7