



US00D440858S

(12) **United States Design Patent**
Gilbert

(10) **Patent No.:** **US D440,858 S**

(45) **Date of Patent:** **** Apr. 24, 2001**

(54) **UTILITY KNIFE**

(75) **Inventor:** **Richard Gilbert, Dronfield (GB)**

(73) **Assignee:** **The Stanley Works, New Britain, CT (US)**

(**) **Term:** **14 Years**

(21) **Appl. No.:** **29/109,284**

(22) **Filed:** **Aug. 12, 1999**

(51) **LOC (7) Cl.** **08-03**

(52) **U.S. Cl.** **D8/99**

(58) **Field of Search** D8/98, 99, 100;
30/161, 162, 320, 329, 335, 337

(56) **References Cited**

U.S. PATENT DOCUMENTS

D. 264,802	*	6/1982	Osada	D8/99
D. 264,803	*	6/1982	Machida	D8/99
D. 324,475	*	3/1992	Staubitz et al.	D8/99
D. 347,563	*	6/1994	Okada	D8/99
D. 392,173	*	3/1998	Okada	D8/99
D. 398,829	*	9/1998	Okada	D8/99

D. 399,114	*	10/1998	Okada	D8/99
5,121,544	*	6/1992	Gilbert	30/162
5,797,188	*	8/1998	Gilbert	30/329
5,813,121	*	9/1998	Gringer	30/162

* cited by examiner

Primary Examiner—Philip S. Hyder

(74) *Attorney, Agent, or Firm*—Pillsbury Winthrop LLP

(57) **CLAIM**

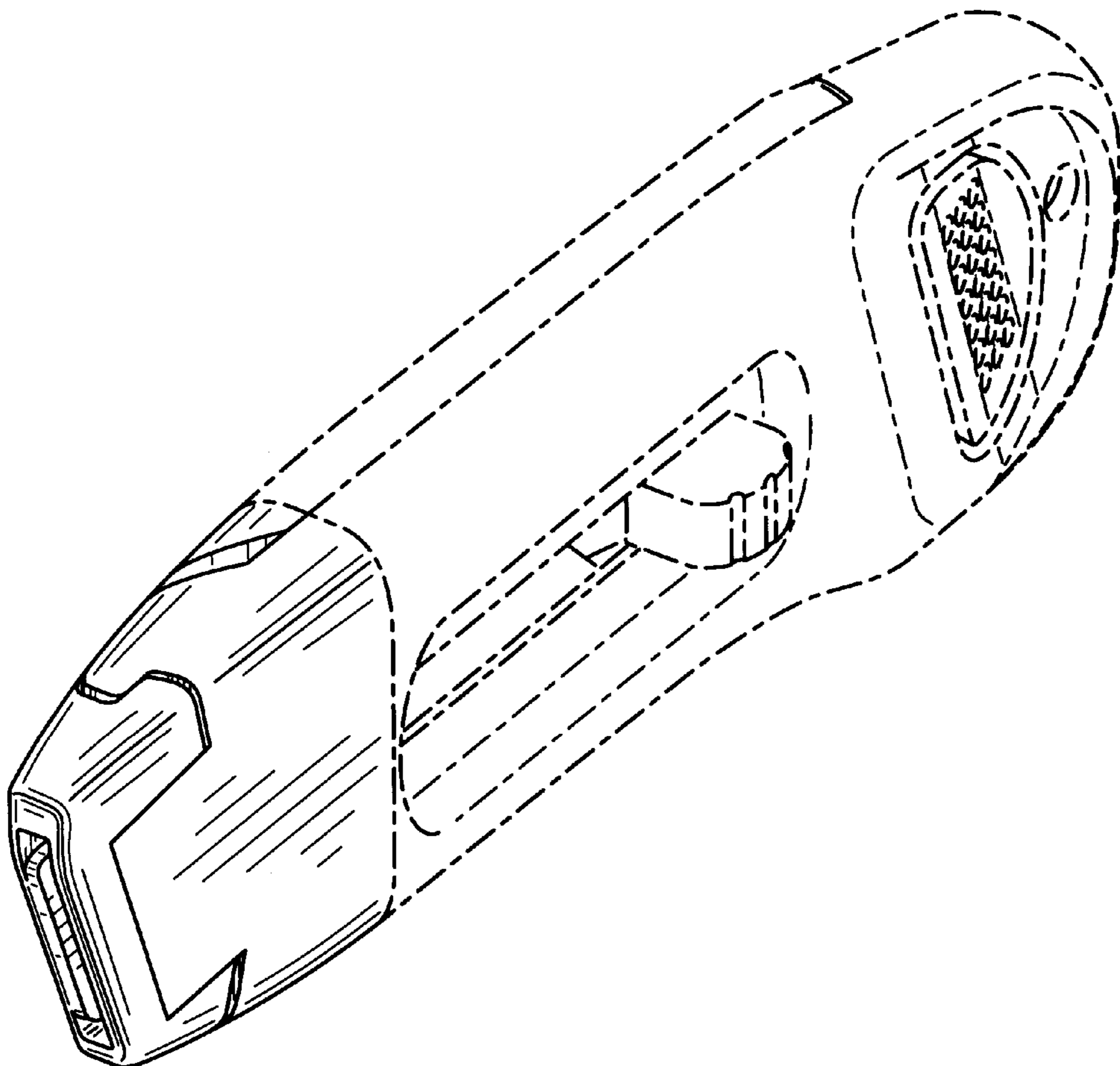
The ornamental design for a utility knife, as shown and described.

DESCRIPTION

FIG. 1 is a perspective view looking down at the front and lefthand side of a utility knife embodying my new design; FIG. 2 is a left side elevational view thereof; FIG. 3 is a right side elevational view thereof; FIG. 4 is a top plan view thereof; FIG. 5 is a bottom plan view thereof; and, FIG. 6 is a front elevational view thereof.

The broken line portions of the disclosure are for illustrative purposes only and form no part of the claimed design.

1 Claim, 3 Drawing Sheets



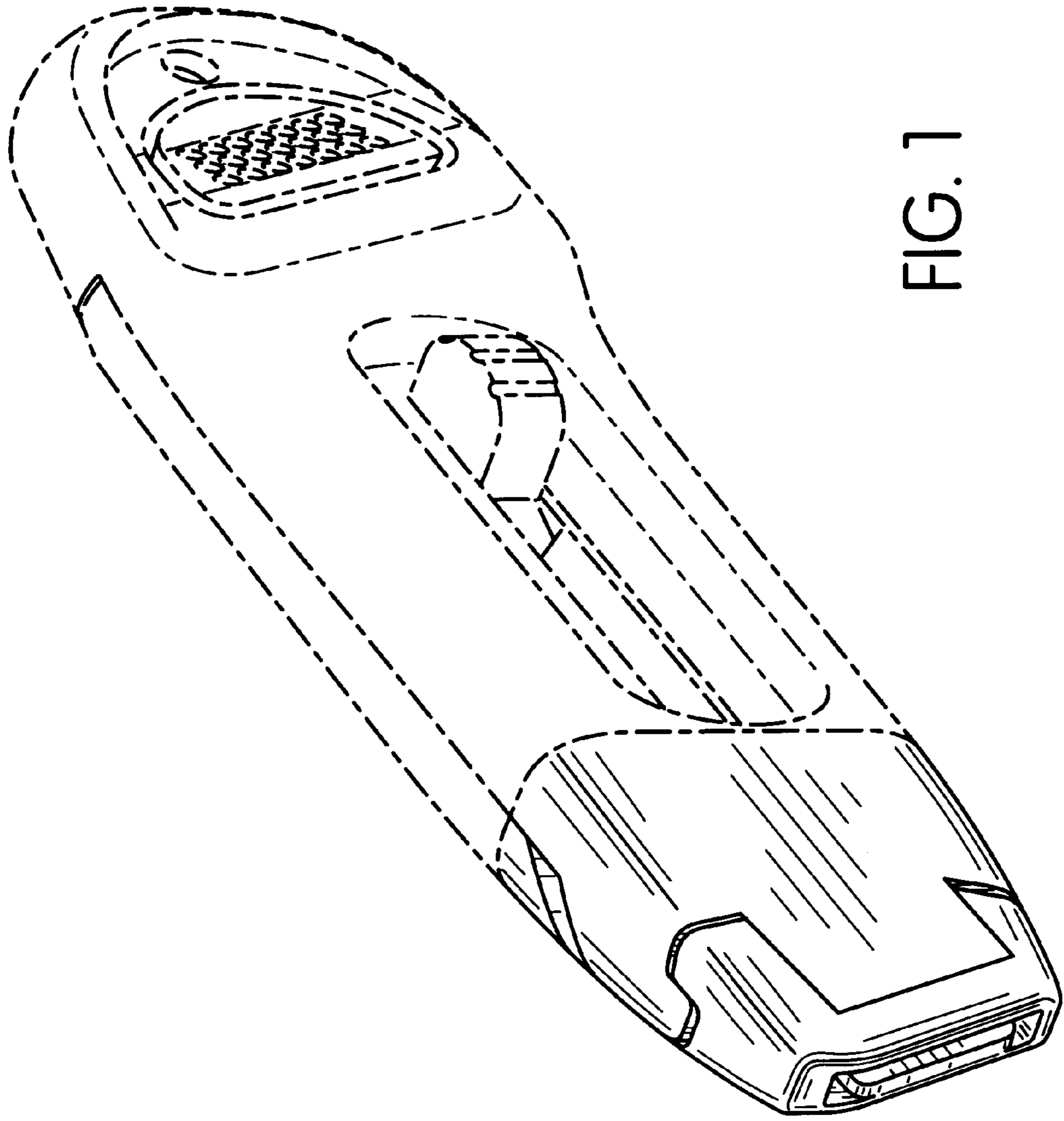


FIG. 1

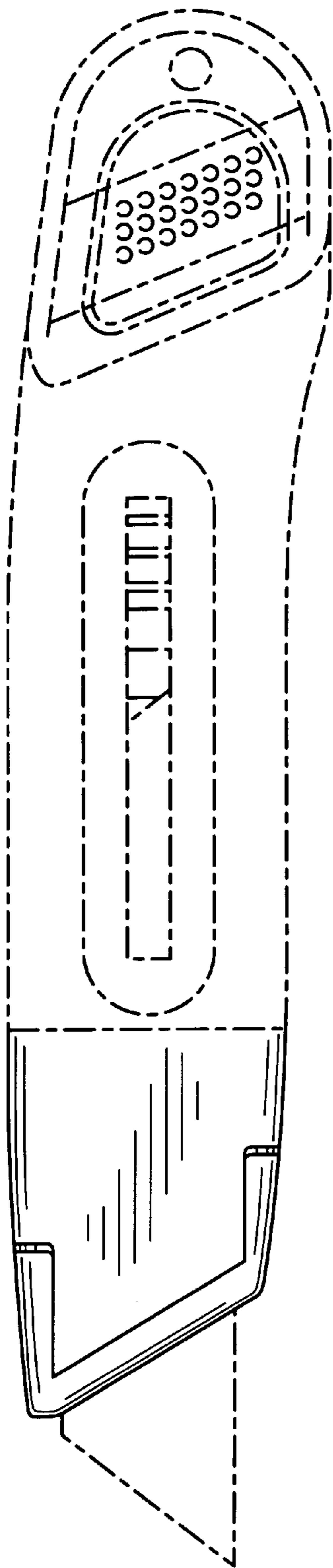


FIG. 2

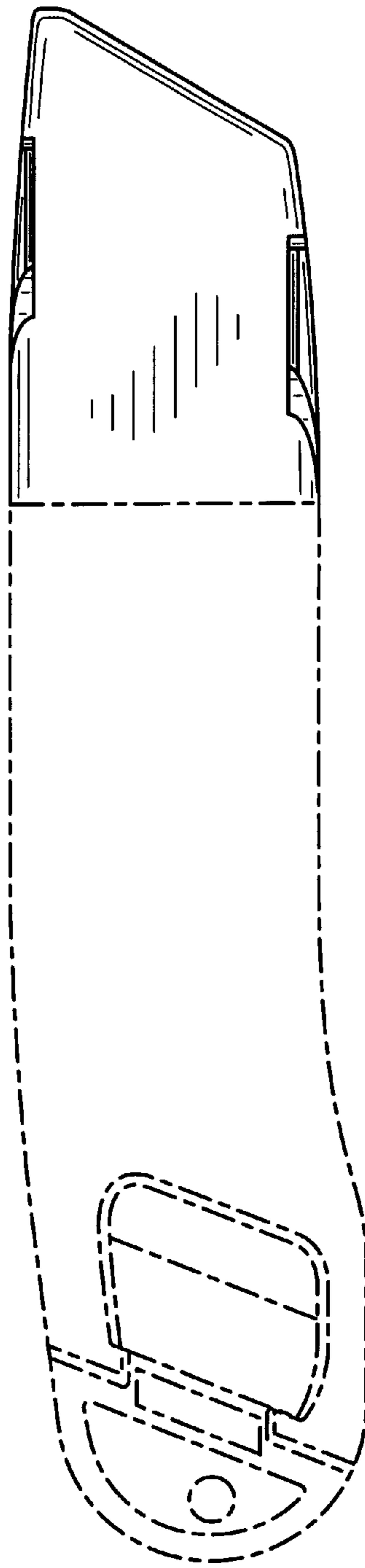


FIG. 3

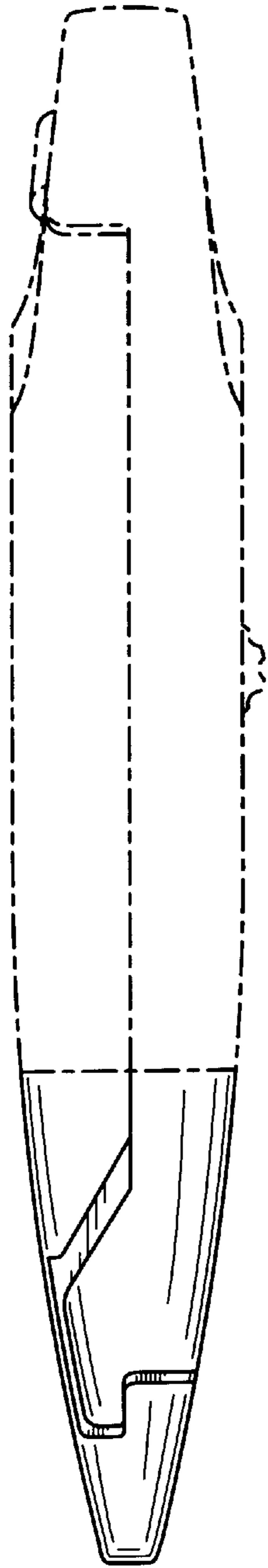


FIG. 4

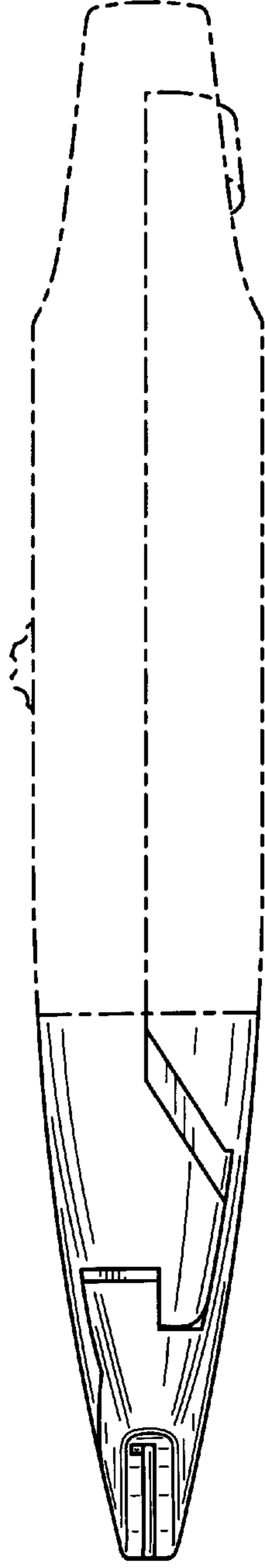


FIG. 5

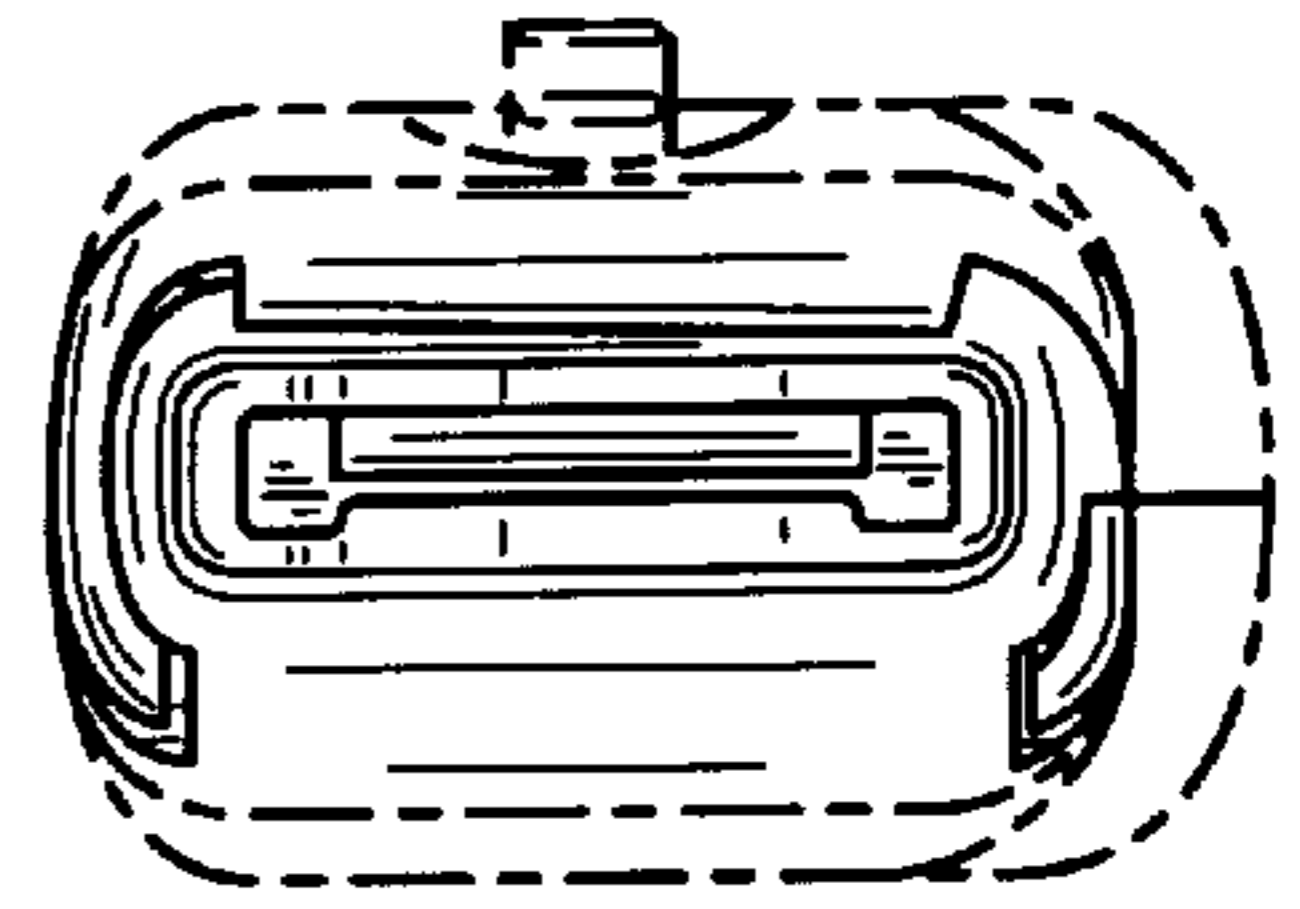


FIG. 6