



US00D440854S

(12) **United States Design Patent**
Killins

(10) **Patent No.:** **US D440,854 S**

(45) **Date of Patent:** **** Apr. 24, 2001**

(54) **GYP SUM, DOOR INSTALLATION, PRYING AND RASPING TOOL**

(75) **Inventor:** **Richard Michael Killins**, Yucca Valley, CA (US)

(73) **Assignee:** **Inventions Unlimited, Inc.**, Yucca Valley, CA (US)

(**) **Term:** **14 Years**

(21) **Appl. No.:** **29/109,057**

(22) **Filed:** **Aug. 9, 1999**

(51) **LOC (7) Cl.** **08-05**

(52) **U.S. Cl.** **D8/88; D8/14; D8/90**

(58) **Field of Search** **D8/14, 71, 88, D8/89, 90, 107; 254/129, 130, 131; 7/166; 81/45**

(56) **References Cited**

U.S. PATENT DOCUMENTS

D. 205,190	7/1966	Trimble	D8/88
D. 226,057	1/1973	Grindinger	D8/88
D. 242,980	1/1977	Fuller et al.	D8/20
D. 267,520	1/1983	Mais	D8/14
D. 282,712	2/1986	Rademacher	D8/14
D. 288,402	2/1987	Bonbright	D8/14
D. 289,367	4/1987	Secor	D8/71
D. 298,299	11/1988	Deibel	D8/14
D. 299,691	2/1989	Green	D8/14
D. 317,703	6/1991	Cydrus	D8/14
D. 324,474	3/1992	Killins	D8/88
D. 346,315	4/1994	Bentz	D8/14
D. 347,981	6/1994	Suggs, Sr.	D8/14
D. 349,437	8/1994	Mock	D8/14
D. 365,002	12/1995	Werner	D8/51
D. 368,837	4/1996	Reed	D8/14
2,692,753	10/1954	Masterson .	

2,802,253	8/1957	Birck .	
4,712,771	12/1987	Donnelly et al.	254/131
5,165,661	11/1992	Wright	254/131
5,367,732	11/1994	Suggs	254/131
5,501,561	3/1996	Wulff	254/131
5,529,287	6/1996	Pelasi, Jr.	254/129
5,749,113 *	5/1998	Witter	7/166

* cited by examiner

Primary Examiner—Philip S. Hyder

(57) **CLAIM**

The ornamental design for a gypsum, door installation, prying and rasping tool, as shown and described.

DESCRIPTION

FIG. 1 is a front perspective view of a gypsum, door installation, prying and rasping tool showing my new design;

FIG. 2 is a rear elevational view thereof;

FIG. 3 is a top plan view thereof;

FIG. 4 is a bottom plan view thereof;

FIG. 5 is a left end view thereof; and

FIG. 6 is a right end view thereof

FIG. 7 is a front perspective view of the second embodiment;

FIG. 8 is a rear elevational view thereof;

FIG. 9 is a top plan view thereof;

FIG. 10 is a bottom plan view thereof;

FIG. 11 is a left end view thereof; and

FIG. 12 is a right end view thereof

FIG. 13 is a front perspective view of the third embodiment;

FIG. 14 is a rear elevational view thereof;

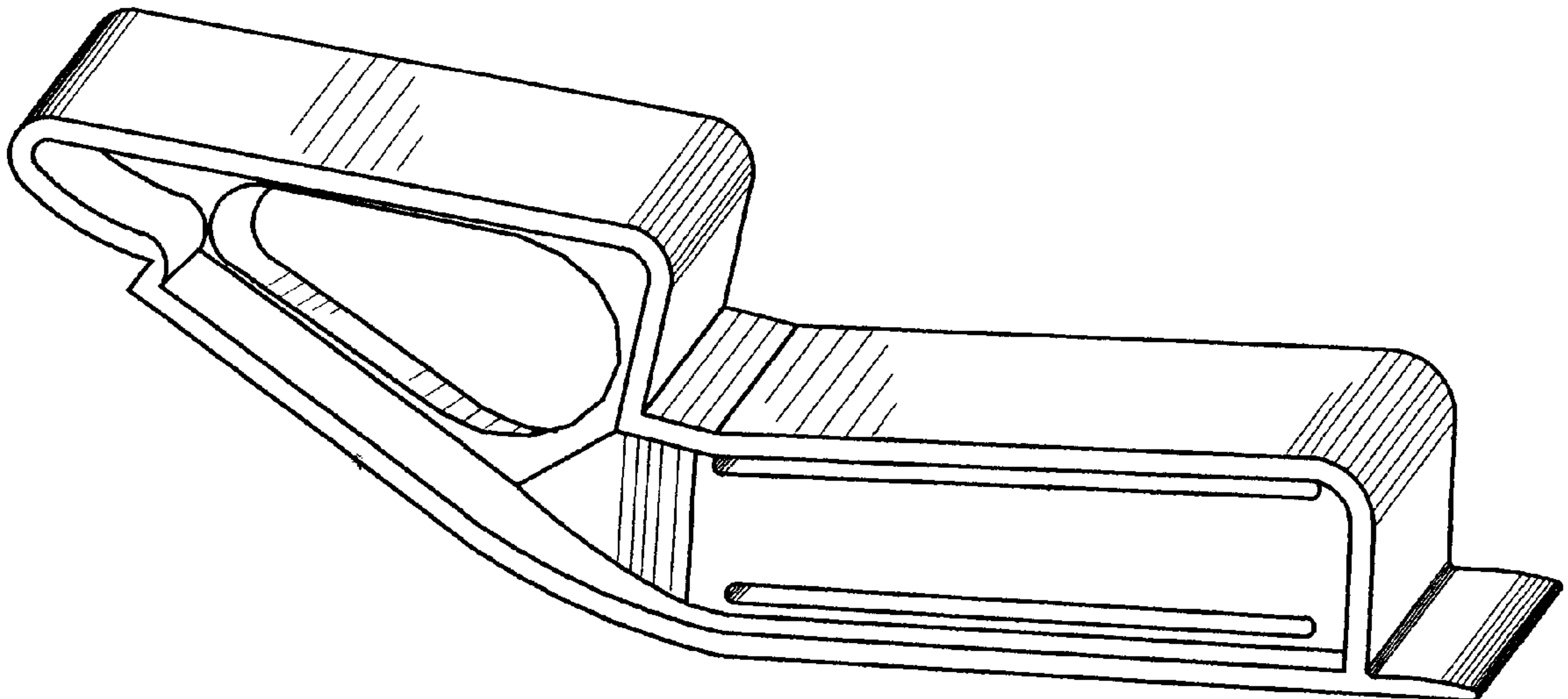
FIG. 15 is a top plan view thereof;

FIG. 16 is a bottom plan view thereof;

FIG. 17 is a left end view thereof; and,

FIG. 18 is a right end view thereof.

1 Claim, 3 Drawing Sheets



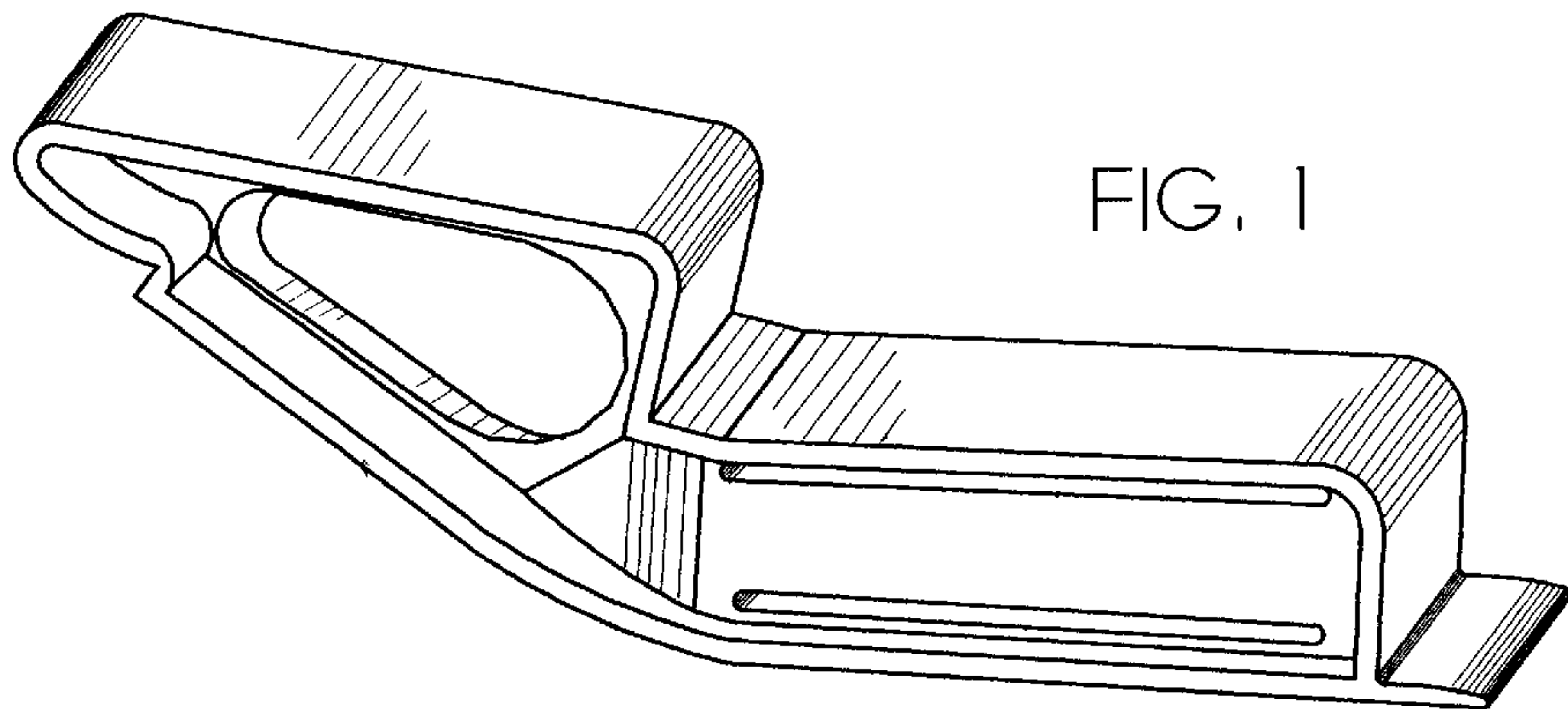


FIG. 1

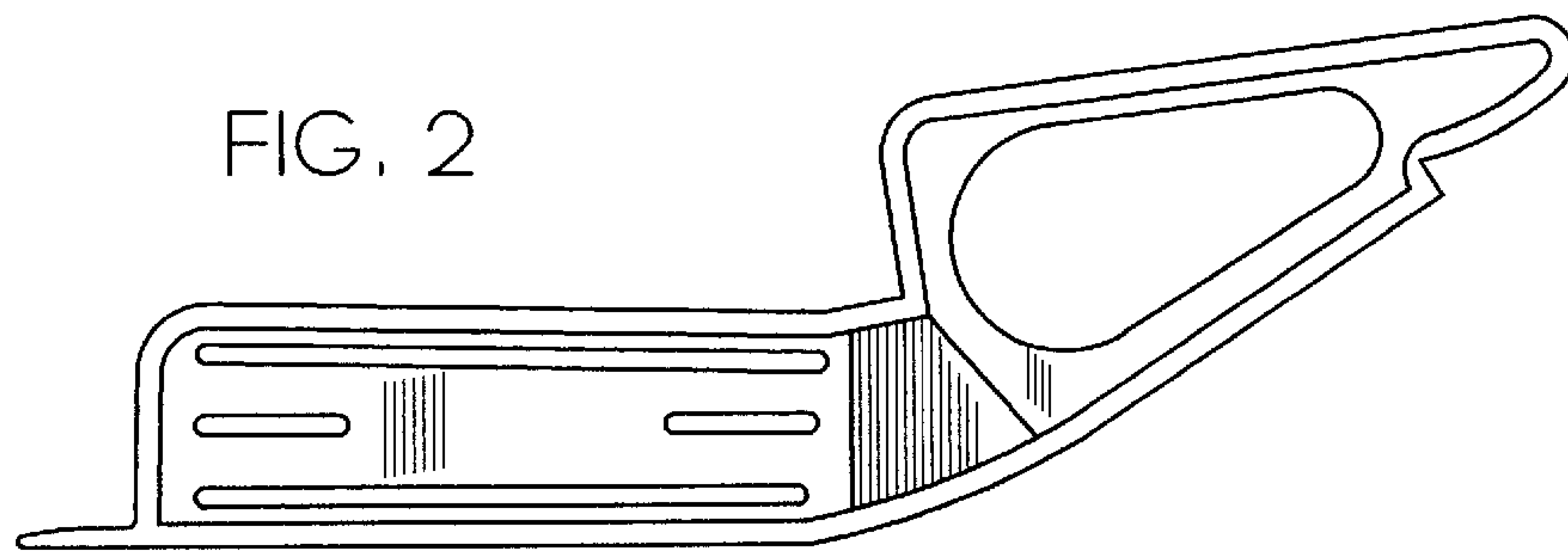


FIG. 2

FIG. 3

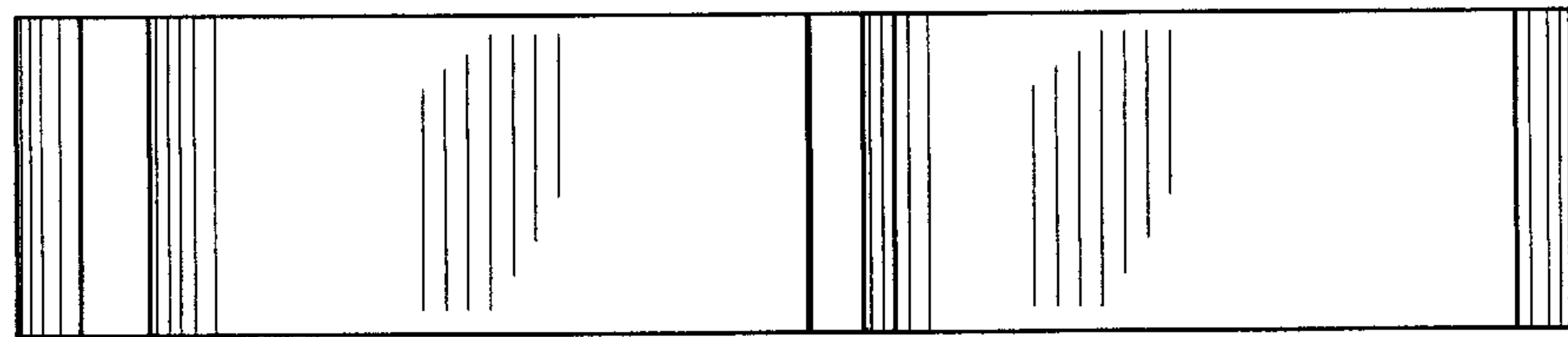


FIG. 4

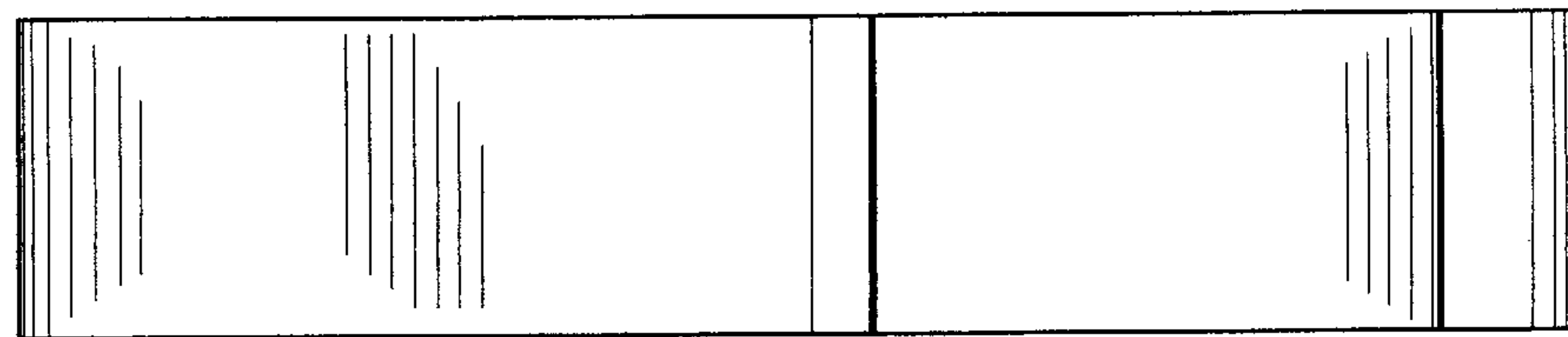


FIG. 5

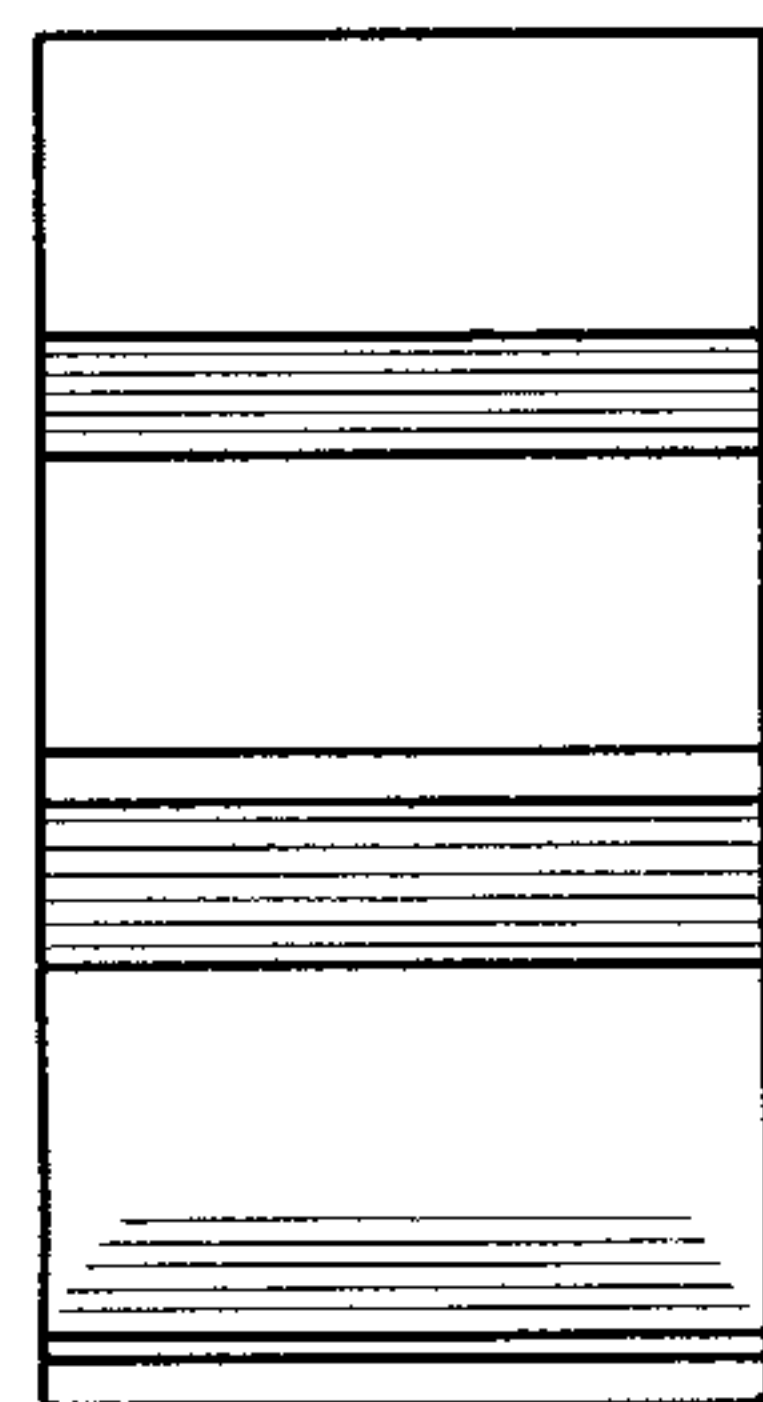
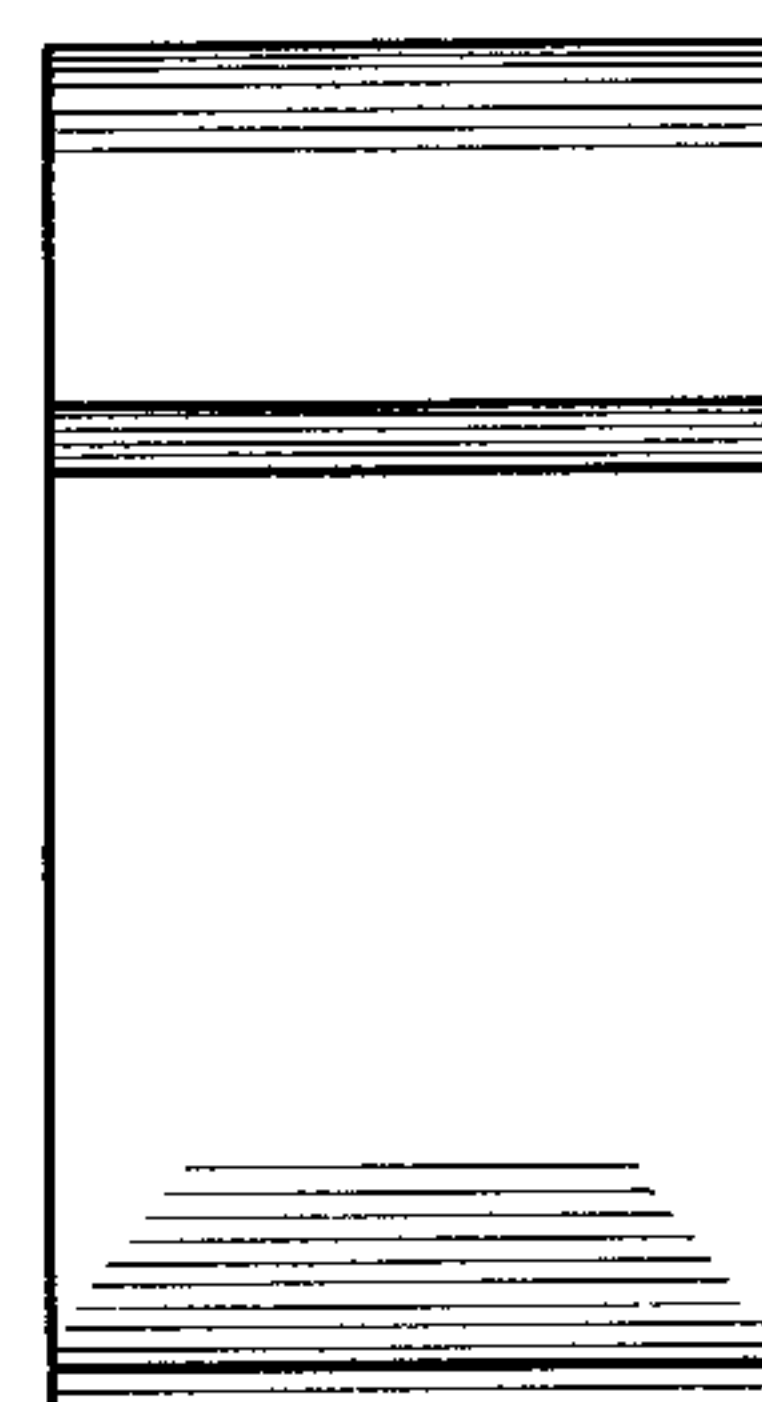


FIG. 6



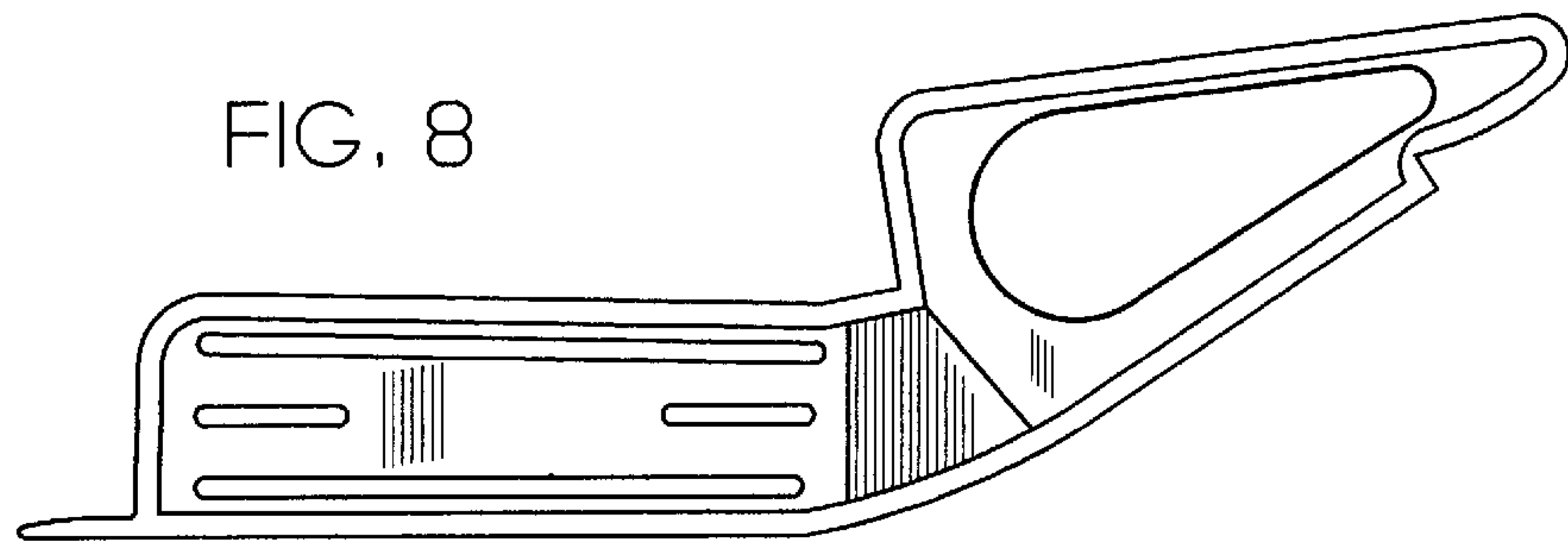
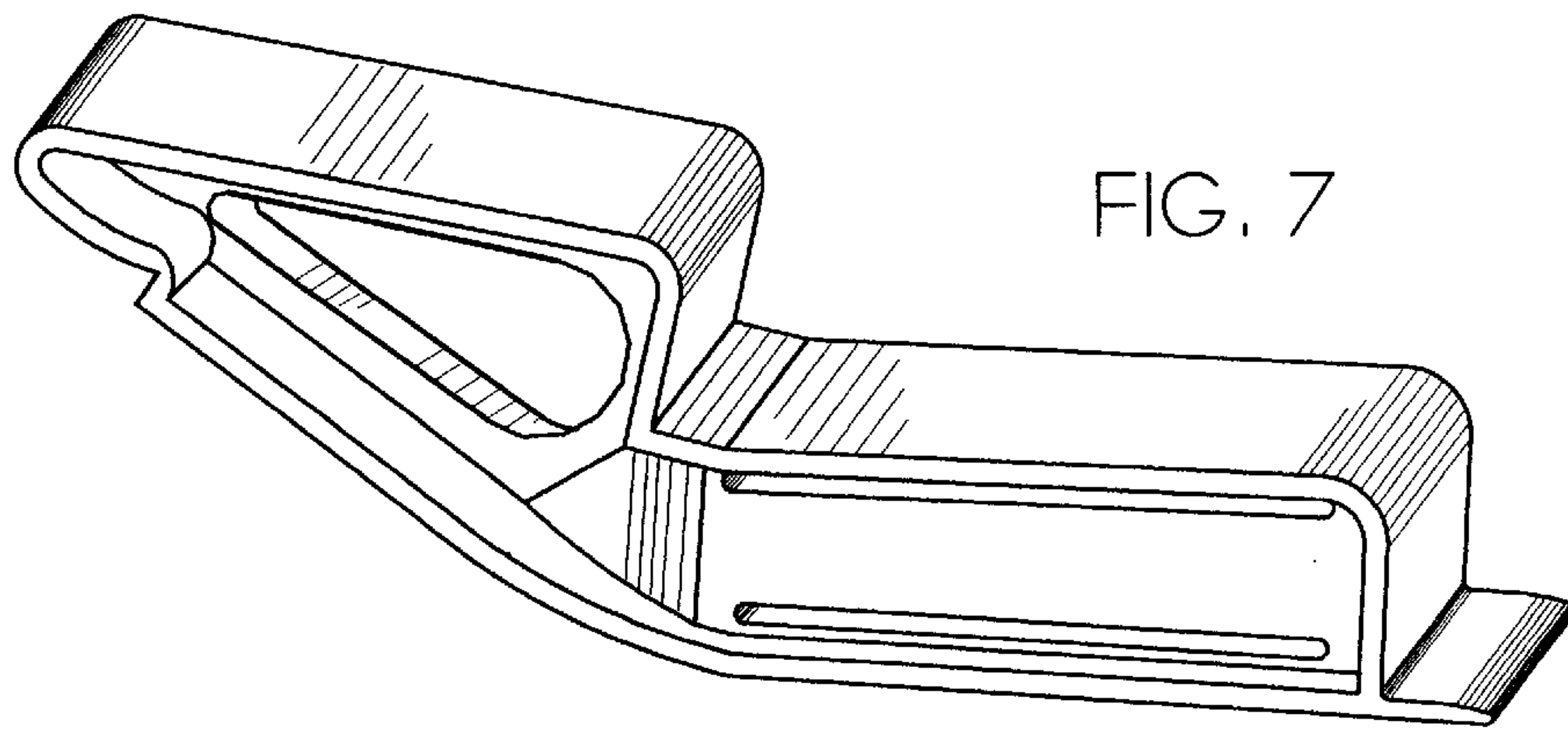


FIG. 9

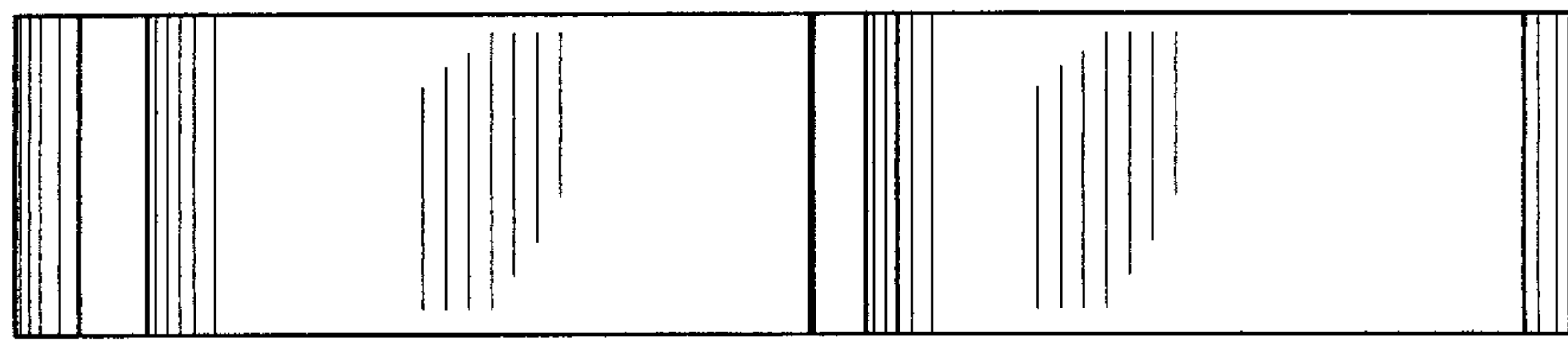


FIG. 11

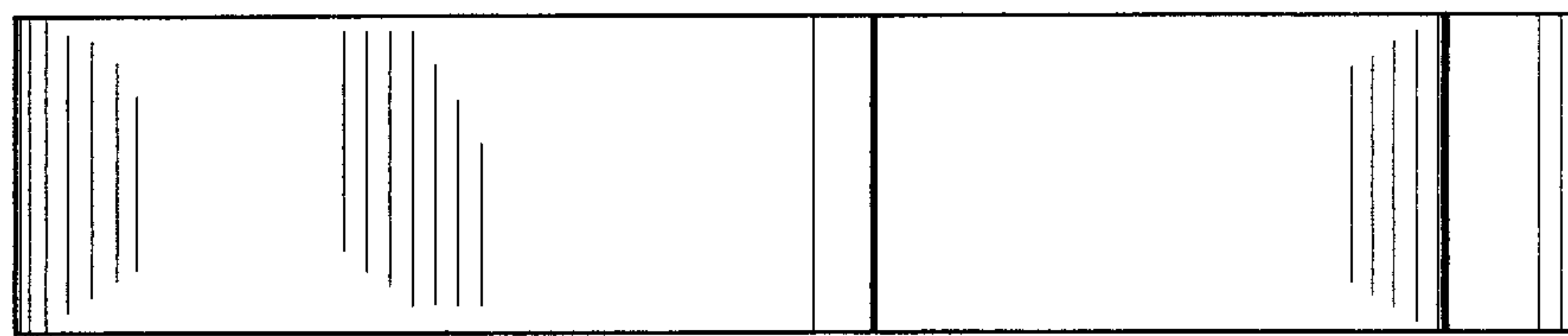


FIG. 11

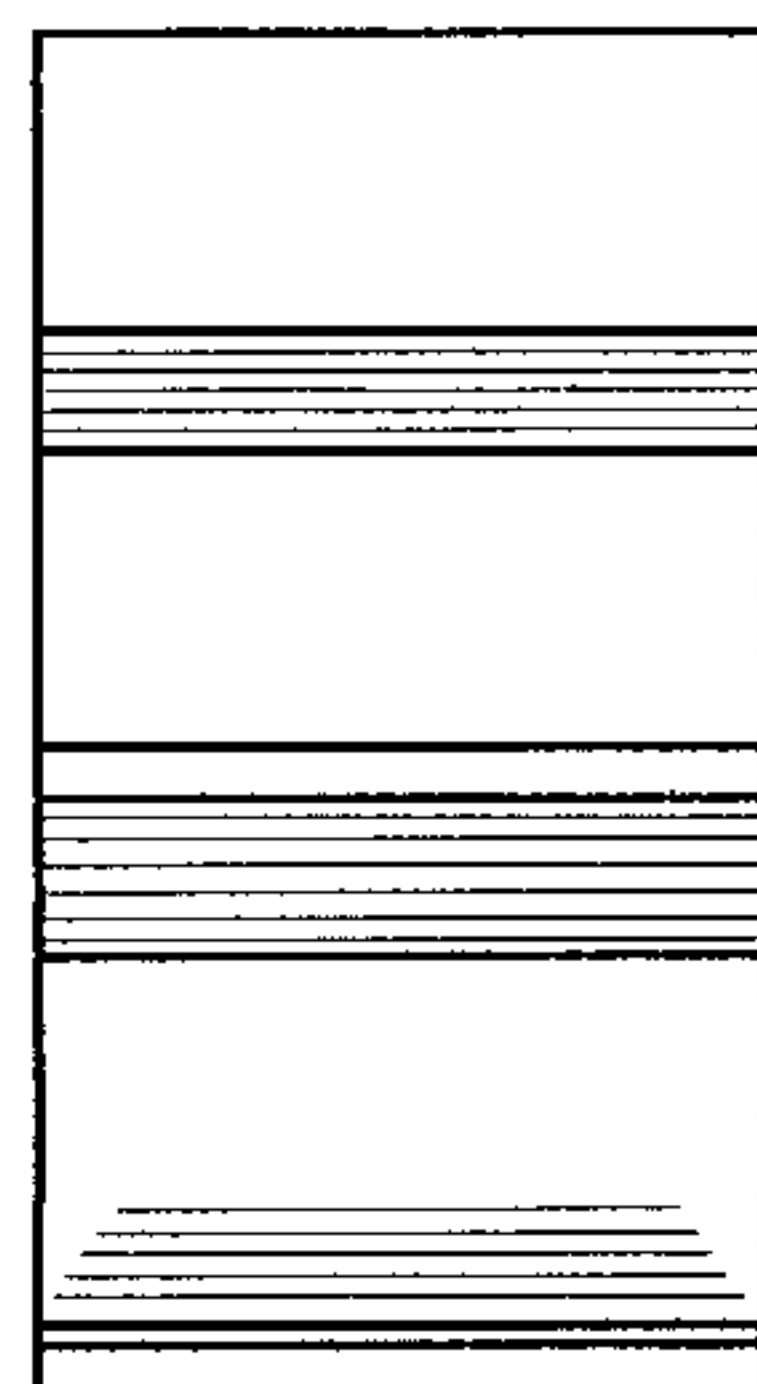
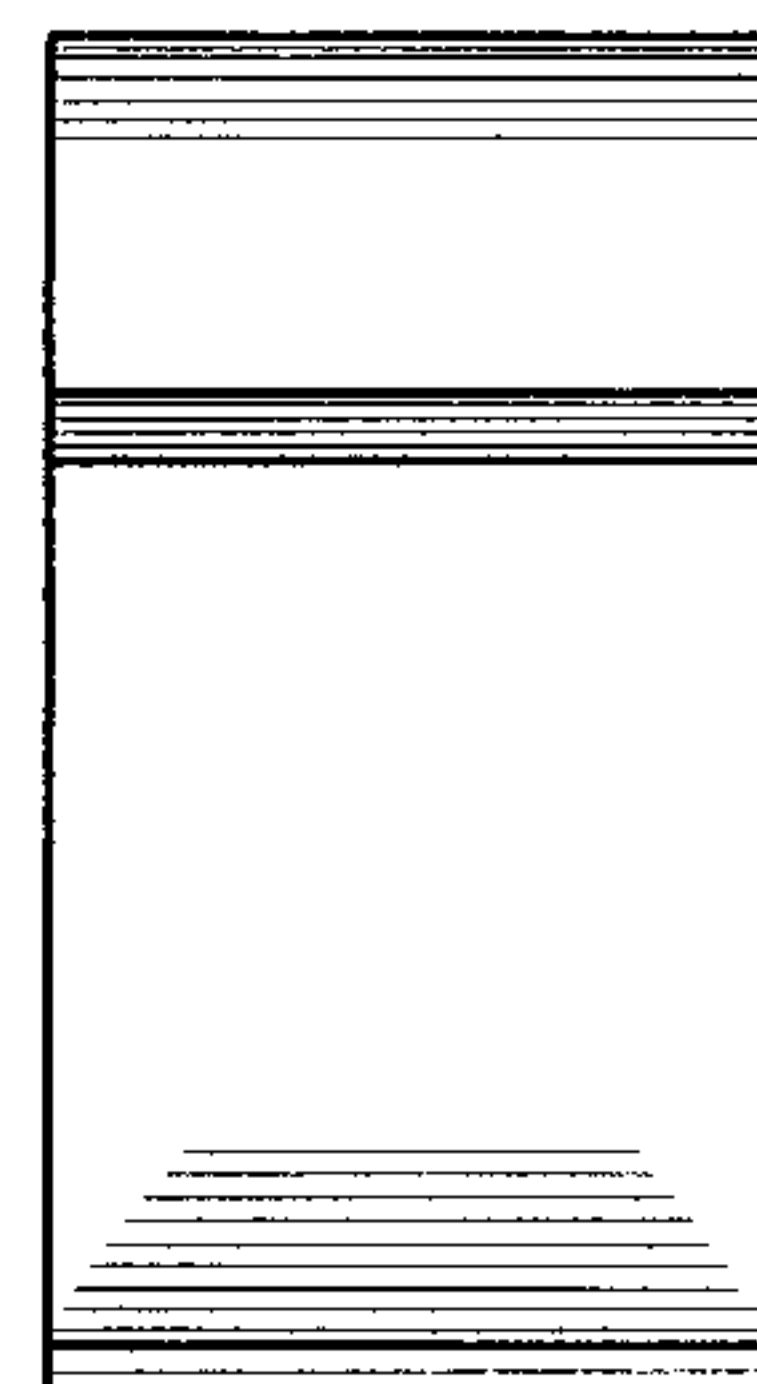


FIG. 12



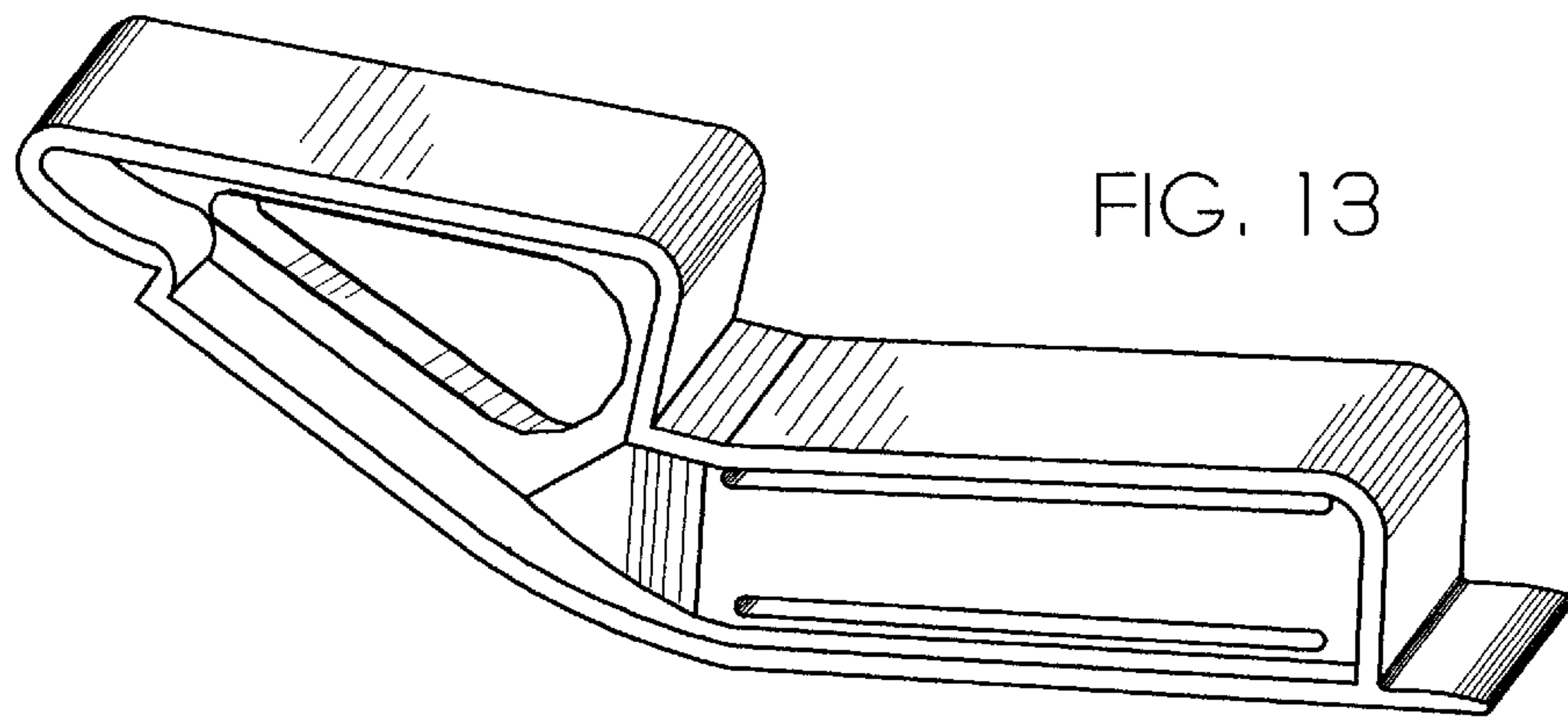


FIG. 13

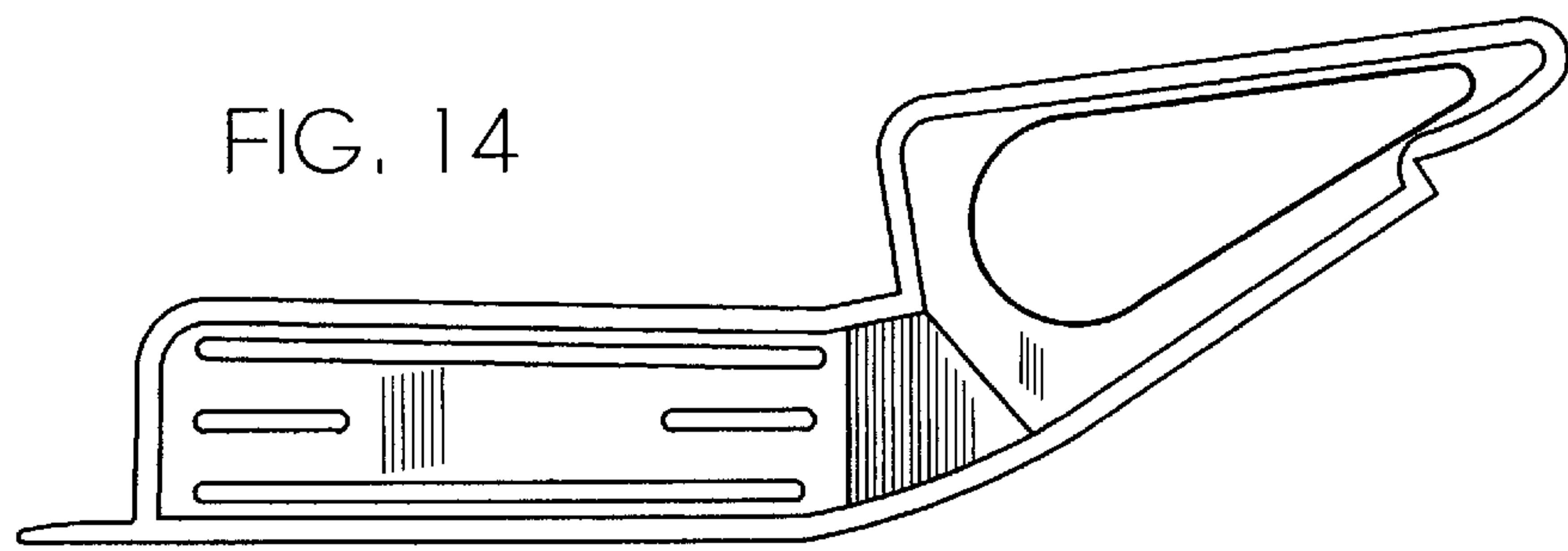


FIG. 14



FIG. 15

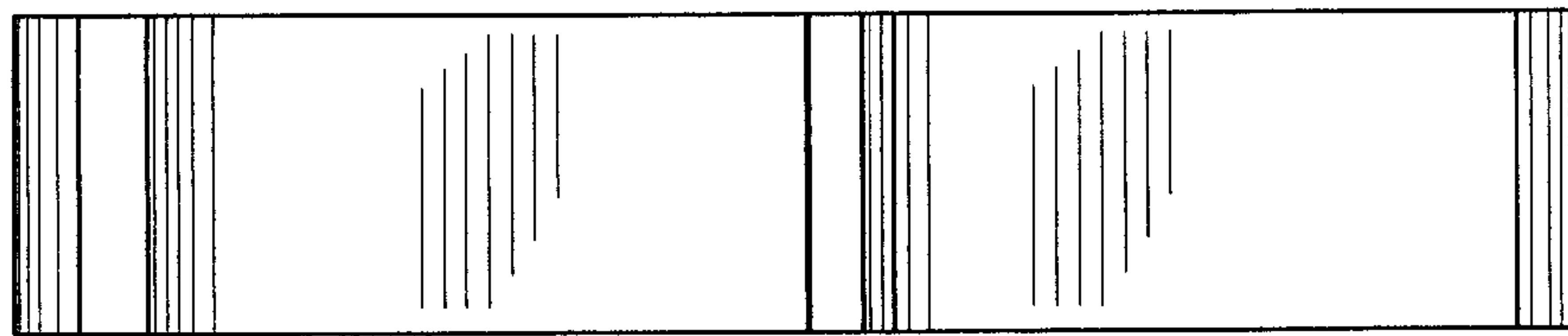


FIG. 16

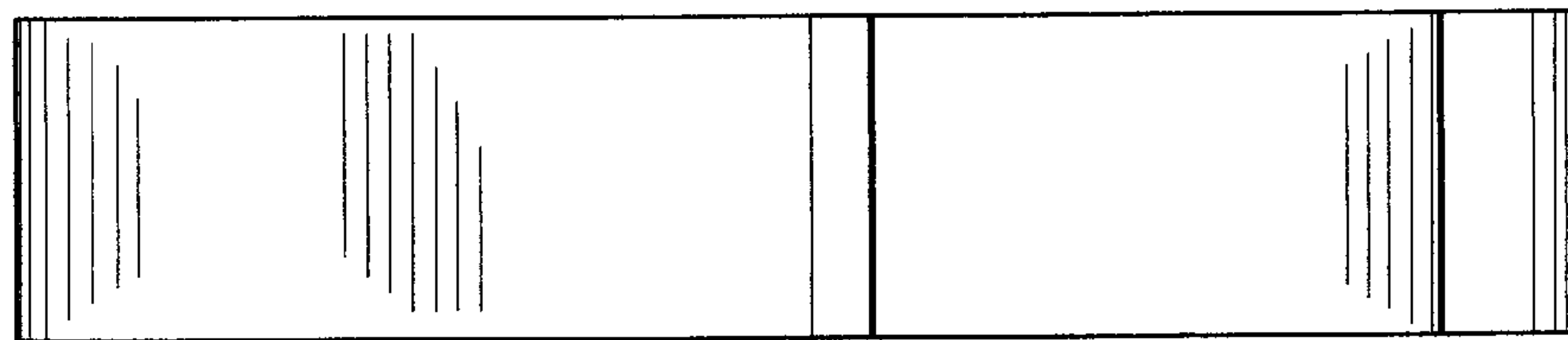


FIG. 17

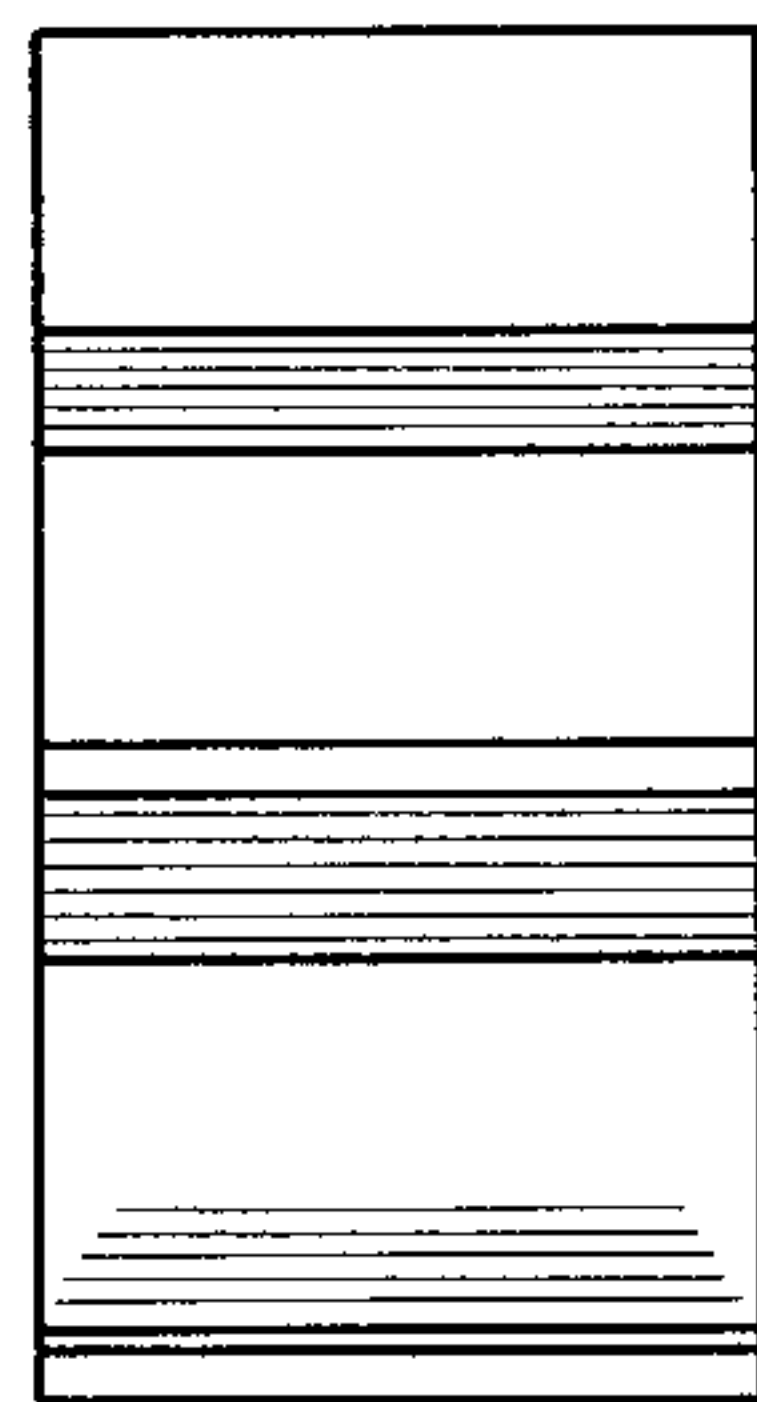


FIG. 18

