



US00D440853S

(12) **United States Design Patent**
Welsh et al.

(10) **Patent No.:** **US D440,853 S**

(45) **Date of Patent:** **** Apr. 24, 2001**

(54) **CLAMP**

(75) Inventors: **Robert P. Welsh**, Hunt Valley; **Jason R. Melvin**, Towson, both of MD (US)

(73) Assignee: **Black & Decker Inc.**, Newark, DE (US)

(**) Term: **14 Years**

(21) Appl. No.: **29/127,404**

(22) Filed: **Aug. 4, 2000**

(51) **LOC (7) Cl.** **08-05**

(52) **U.S. Cl.** **D8/73**

(58) **Field of Search** D8/71-74; 269/268, 269/902, 249

(56) **References Cited**

U.S. PATENT DOCUMENTS

- D. 236,941 * 9/1975 Seaverns D8/73
- D. 260,235 * 8/1981 Anderson et al. D8/72

- D. 299,906 * 2/1989 Greulich D8/73
- 4,742,981 * 5/1988 Converse 269/902
- 4,844,397 * 7/1989 Skakoon et al. 269/249
- 5,733,061 * 3/1998 Child 269/249

* cited by examiner

Primary Examiner—Raphael Barkai

(74) *Attorney, Agent, or Firm*—Adan Ayala

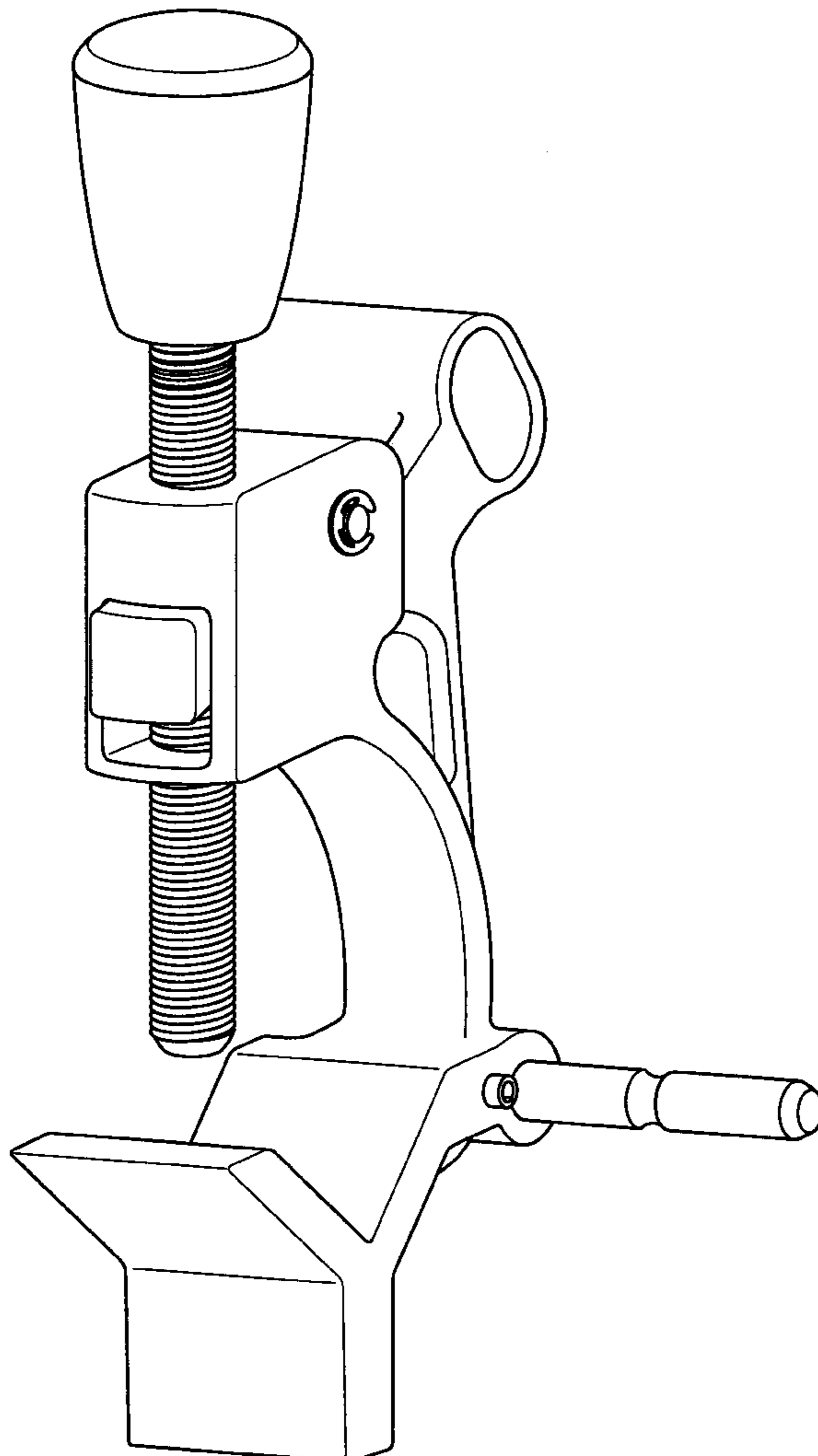
(57) **CLAIM**

The ornamental design for a clamp, as shown and described.

DESCRIPTION

FIG. 1 is a perspective view of an embodiment of a clamp showing our new design;
 FIG. 2 is a left side elevational view of the embodiment;
 FIG. 3 is a right side elevational view of the embodiment;
 FIG. 4 is a front elevational view of the embodiment;
 FIG. 5 is a rear elevational view of the embodiment;
 FIG. 6 is a top plan view of the embodiment; and,
 FIG. 7 is a bottom plan view of the embodiment.

1 Claim, 7 Drawing Sheets



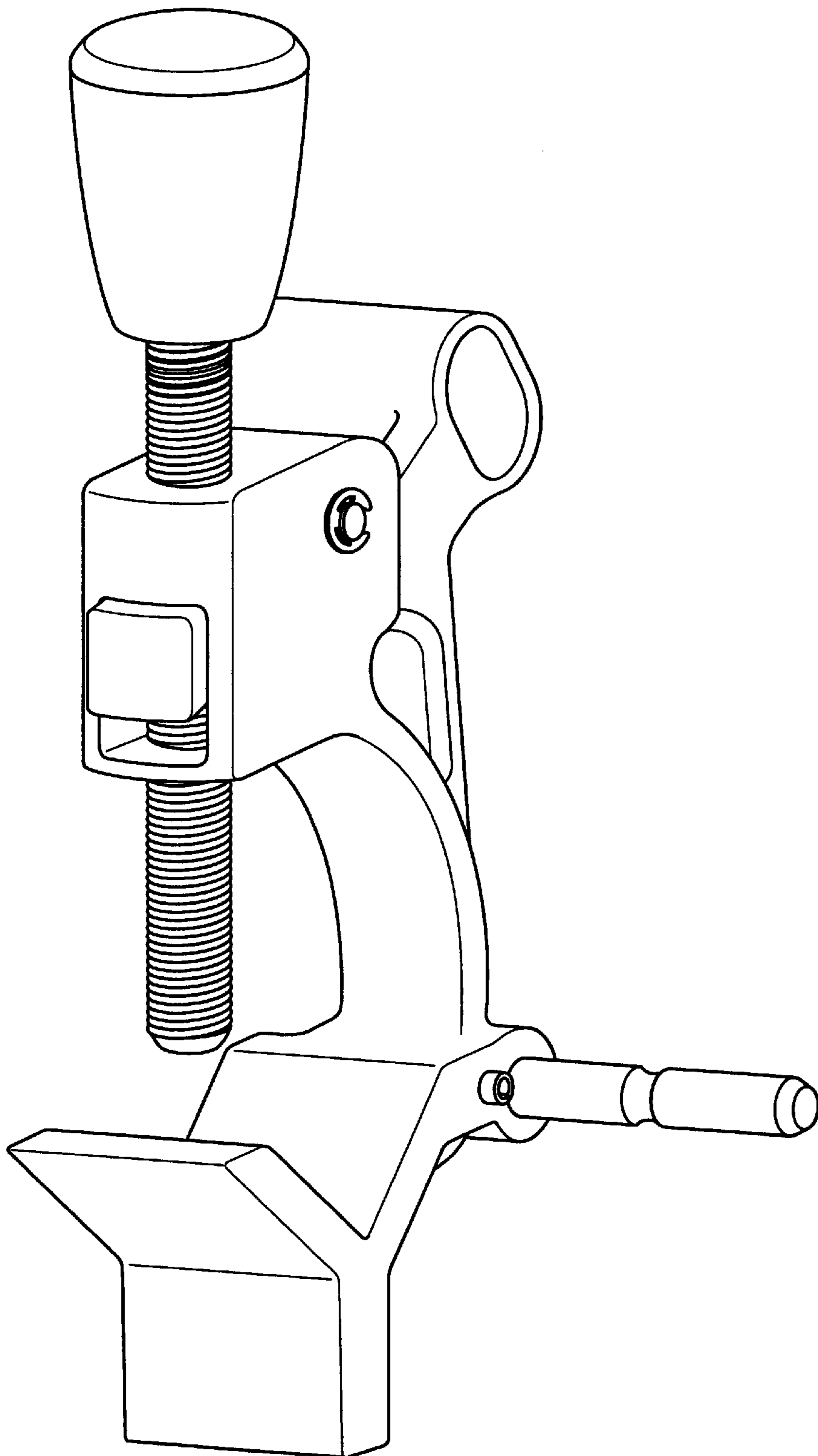


FIG. 1

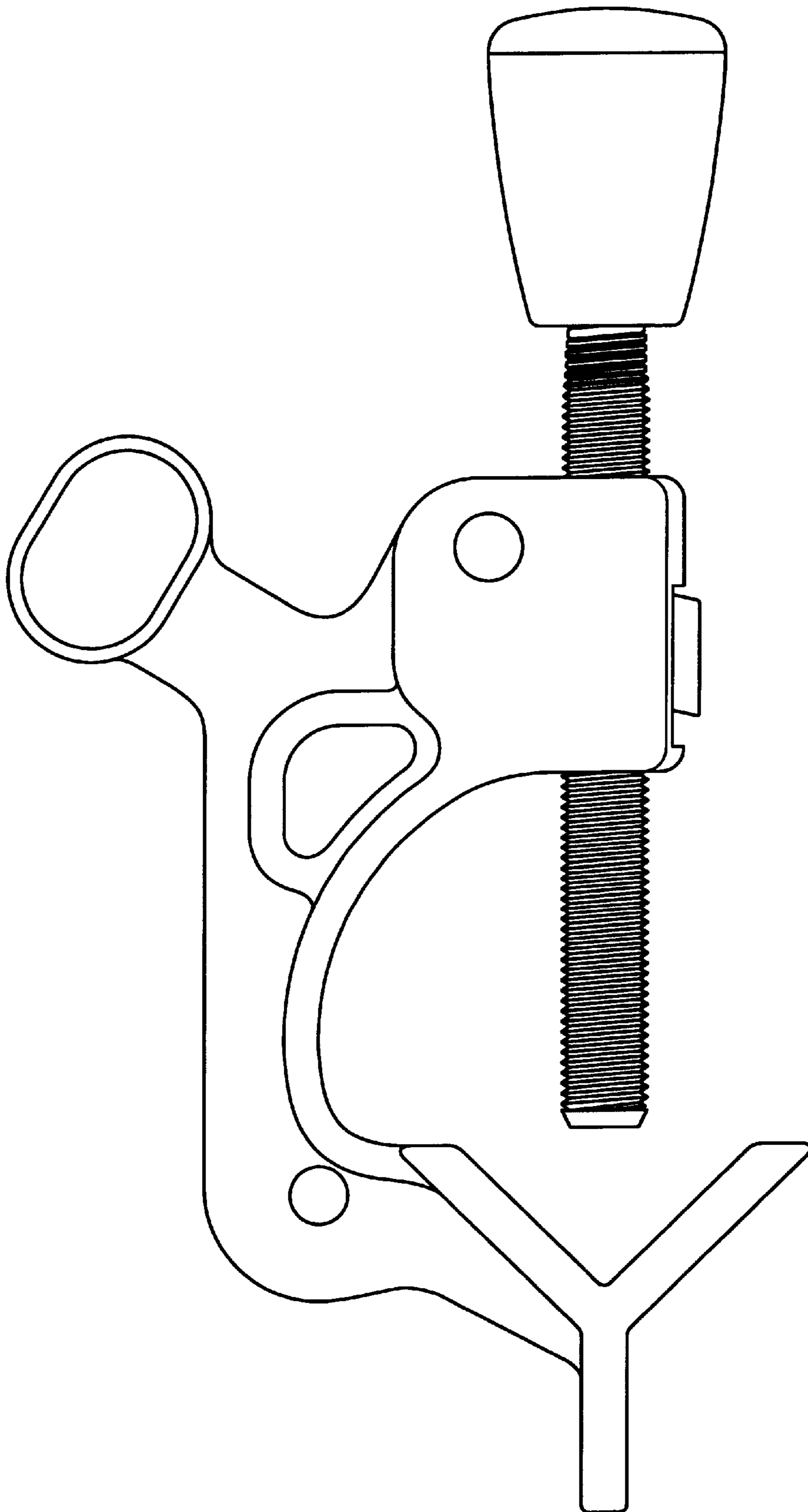


FIG. 2

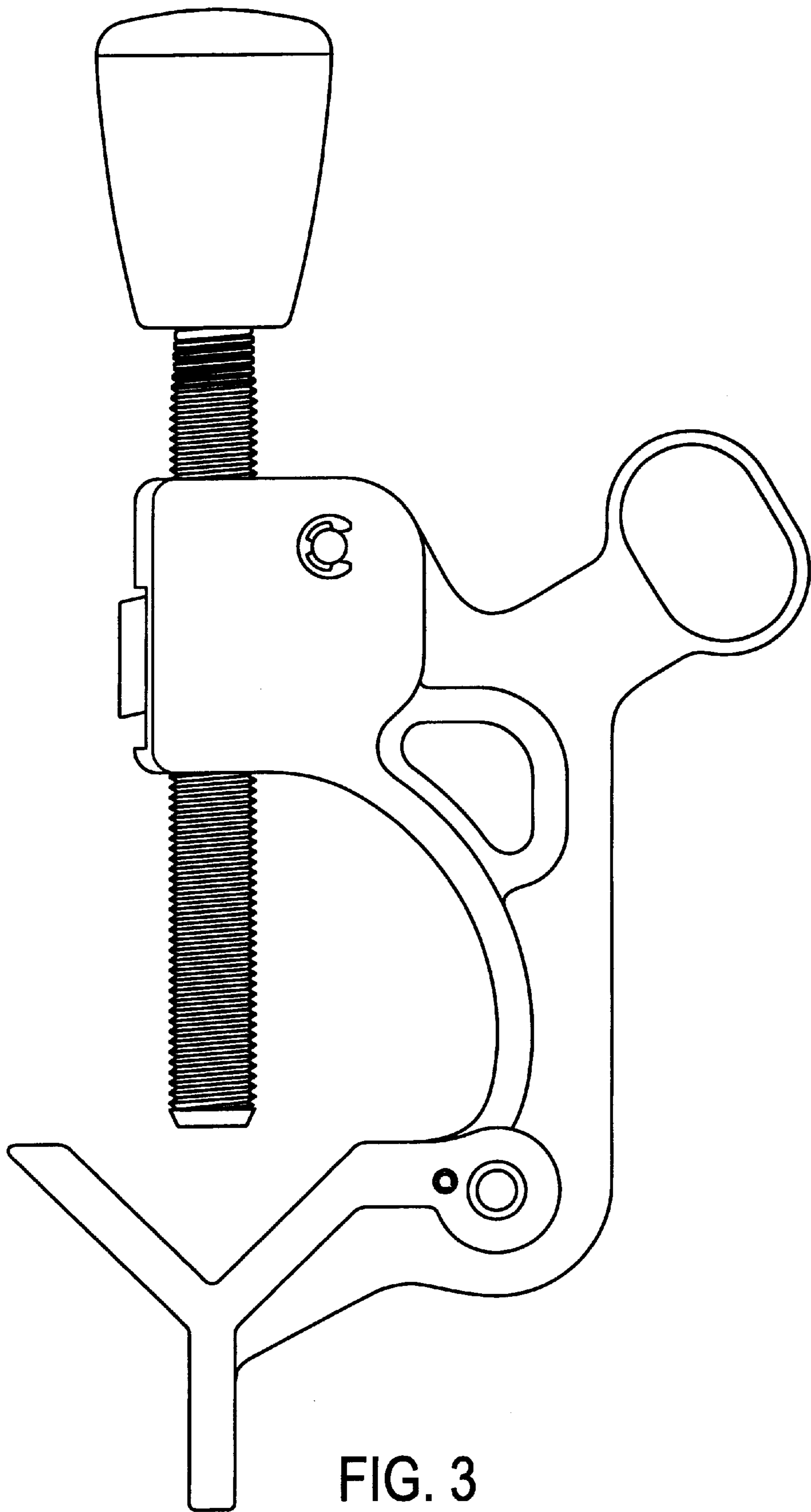


FIG. 3

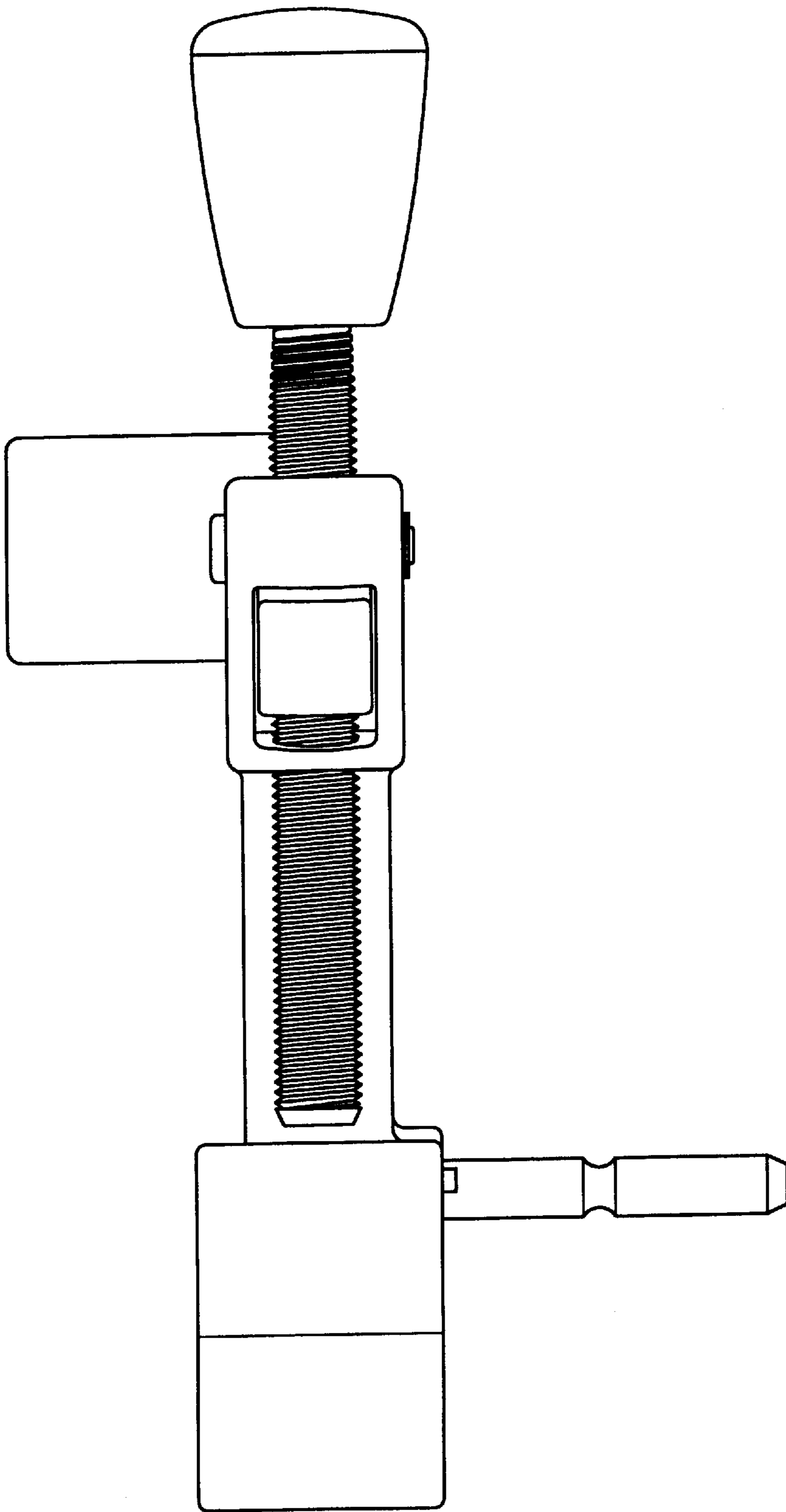


FIG. 4

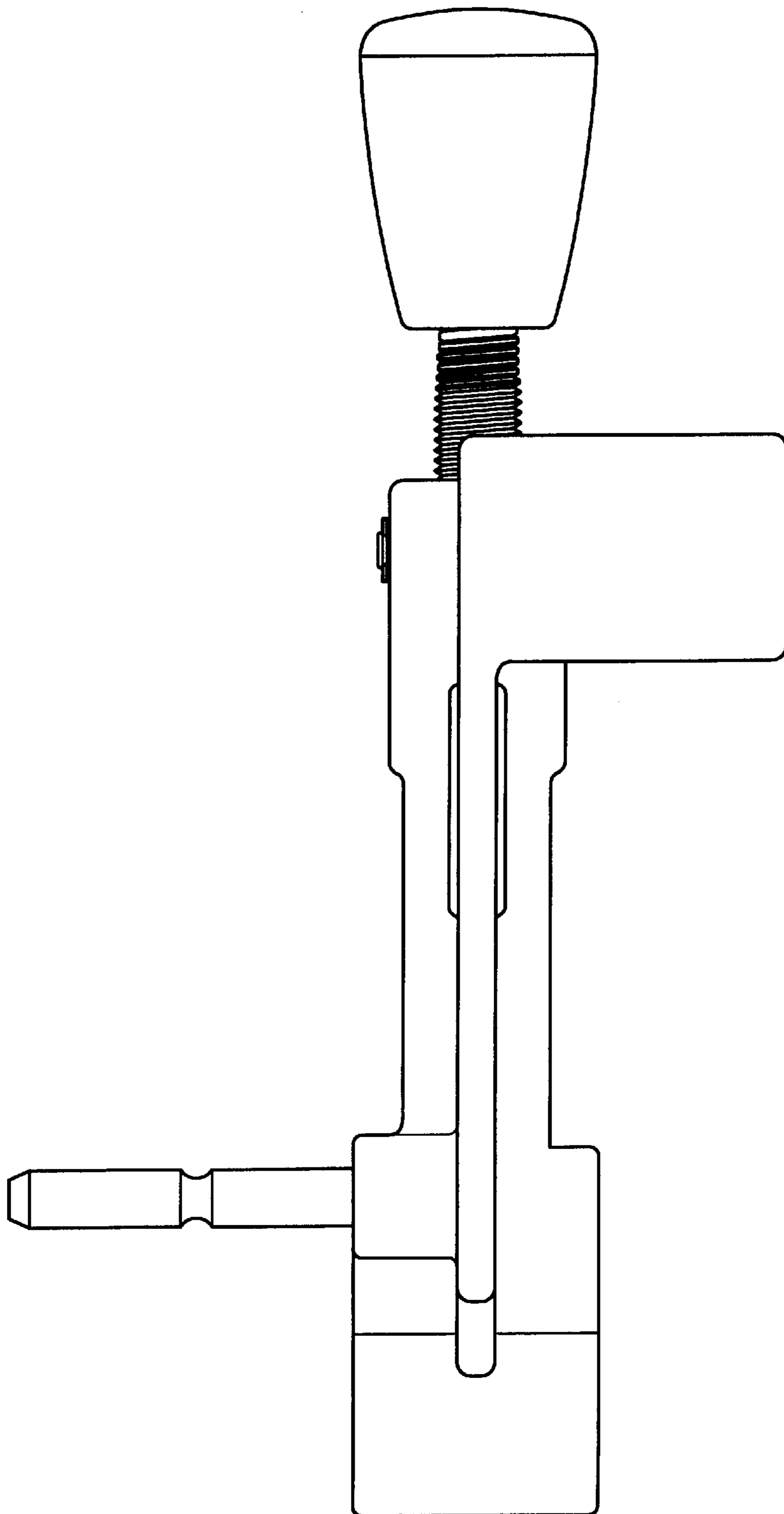


FIG.5

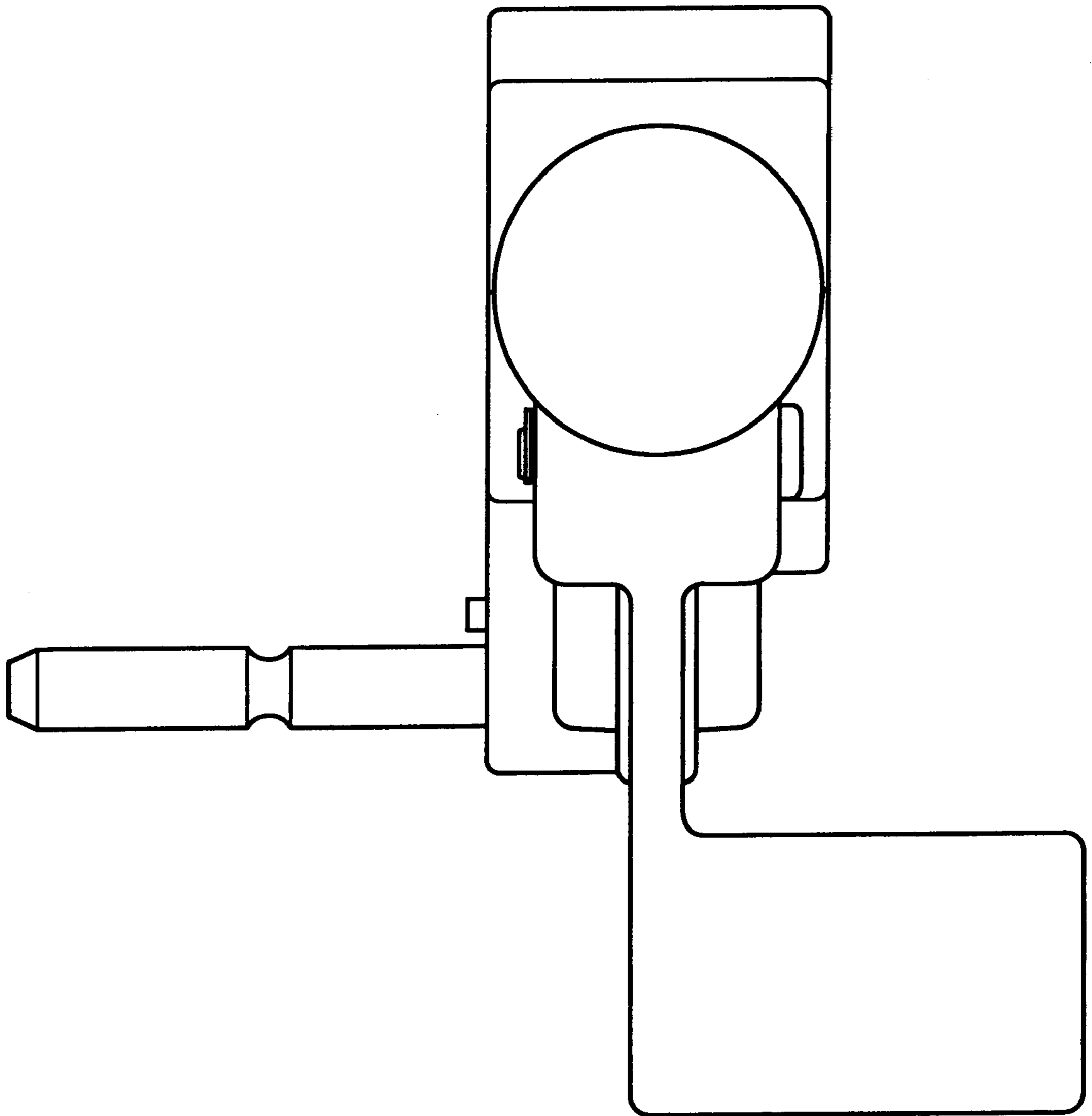


FIG. 6

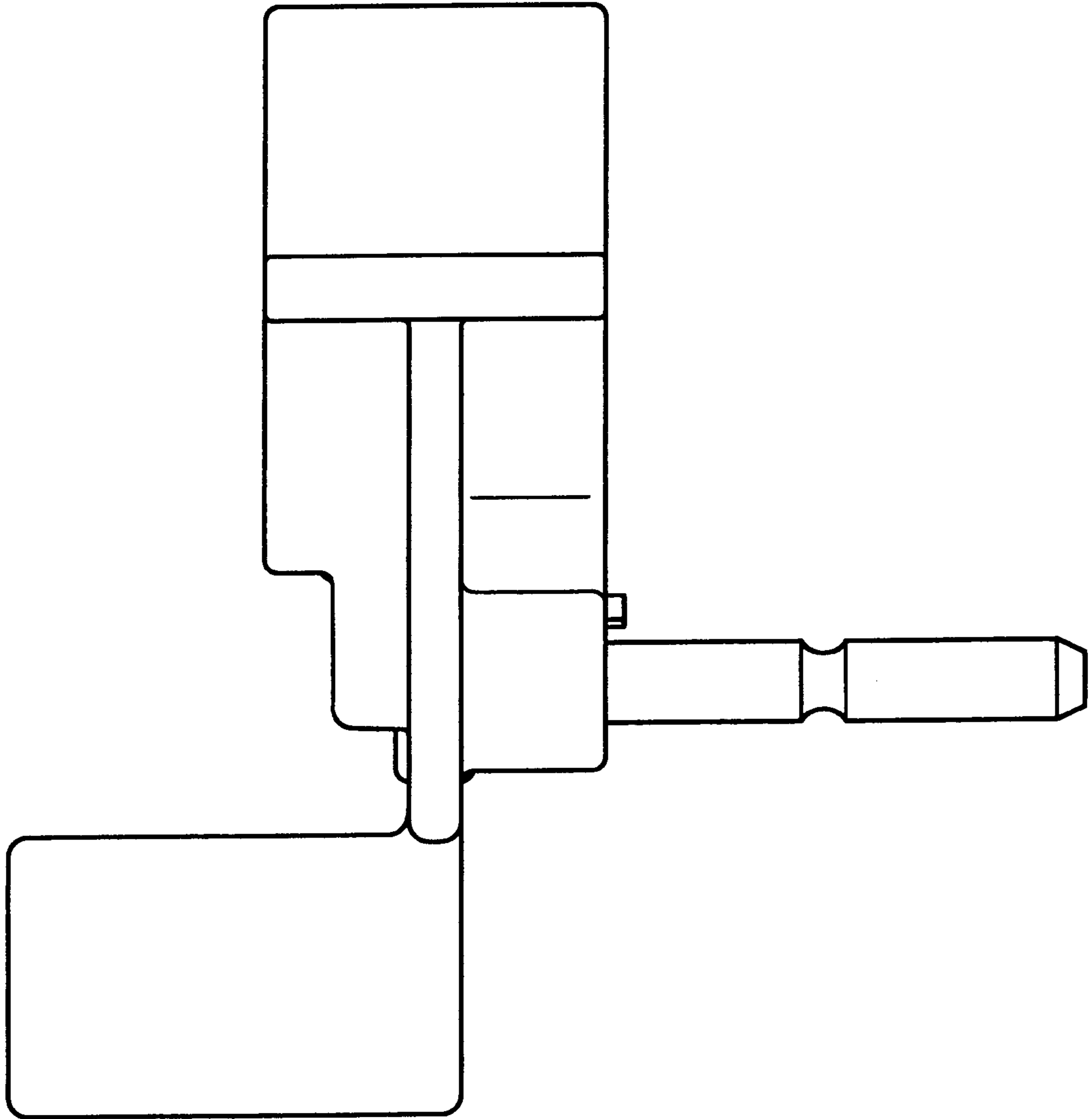


FIG. 7