



US00D440852S

(12) **United States Design Patent**
Ernst

(10) **Patent No.:** **US D440,852 S**

(45) **Date of Patent:** **** Apr. 24, 2001**

(54) **LOCK FOR SECURING WRENCHES**

6,032,796 * 3/2000 Hopper et al. 206/377

(76) Inventor: **Gregory R. Ernst**, 15737 SE. Bartell Rd., Boring, OR (US) 97009

* cited by examiner

Primary Examiner—Raphael Barkai

(74) *Attorney, Agent, or Firm*—James D. Givnan, Jr.

(**) Term: **14 Years**

(57) **CLAIM**

(21) Appl. No.: **29/125,391**

The ornamental design for a lock for securing wrenches, as shown and described.

(22) Filed: **Jun. 22, 2000**

DESCRIPTION

(51) **LOC (7) Cl.** **08-05**

FIG. 1 is a perspective view of a lock for securing wrenches showing my new design;

(52) **U.S. Cl.** **D8/71**

FIG. 2 is a plan view of FIG. 1;

(58) **Field of Search** D8/71; D3/315;
206/376, 377

FIG. 3 is an end elevational view taken from the left hand end of FIG. 1;

(56) **References Cited**

FIG. 4 is an end elevational view taken from the right hand end of FIG. 1;

U.S. PATENT DOCUMENTS

FIG. 5 is a side elevational view taken along line 5—5 of FIG. 2; and,

D. 163,263 * 5/1951 Dodd 206/377

FIG. 6 is a bottom plan view of FIG. 5.

D. 287,179 * 12/1986 Kuykendall D8/71

The broken lines appearing in FIGS. 2 and 5 are for illustrative purposes only and form no part of the claimed design.

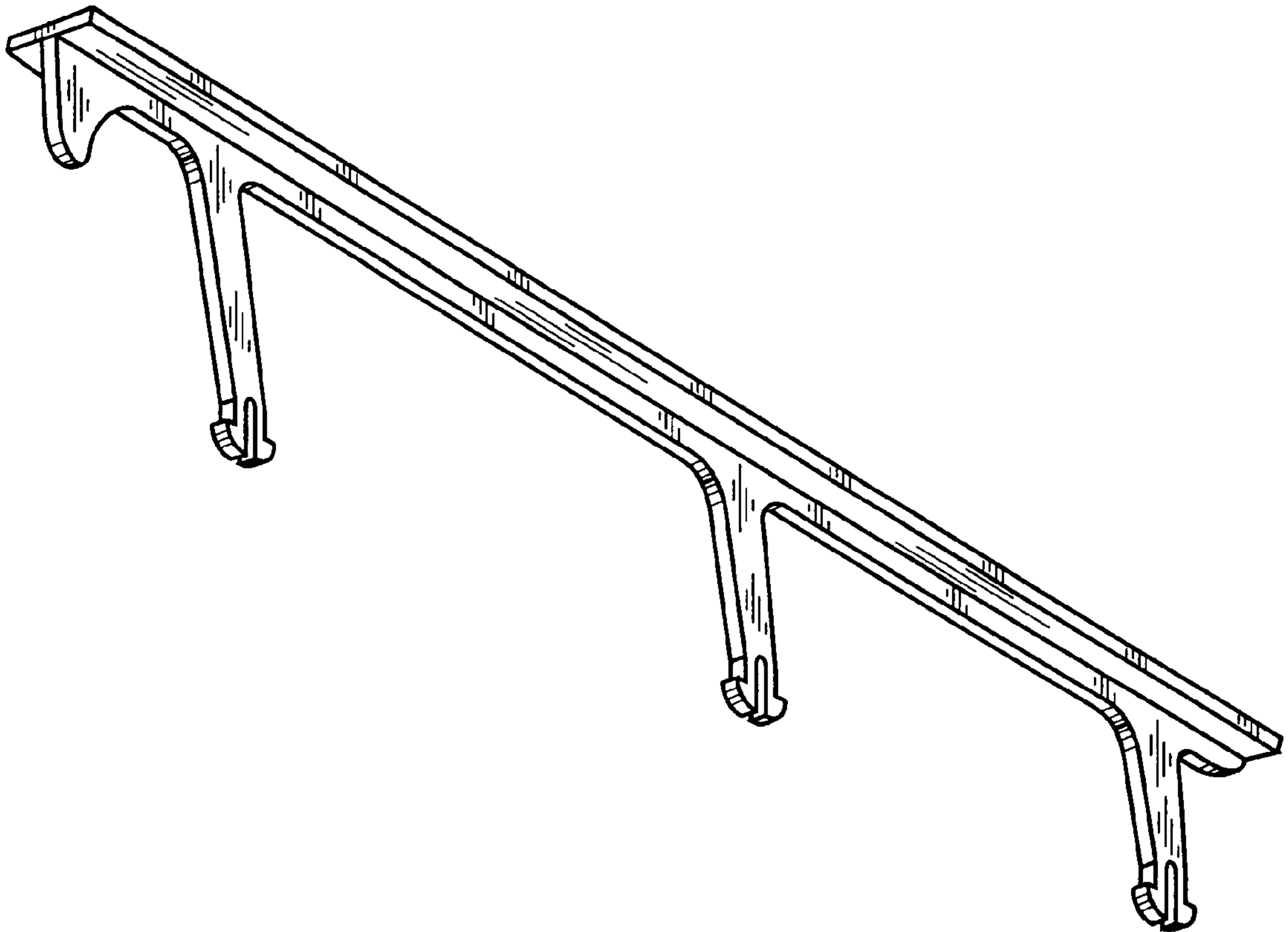
D. 365,007 * 12/1995 Sheftel D8/71

D. 432,790 * 10/2000 Streich et al. D8/71

1,830,577 * 11/1931 Vallone 206/376

2,119,217 * 5/1938 Rocchi 206/376

1 Claim, 1 Drawing Sheet



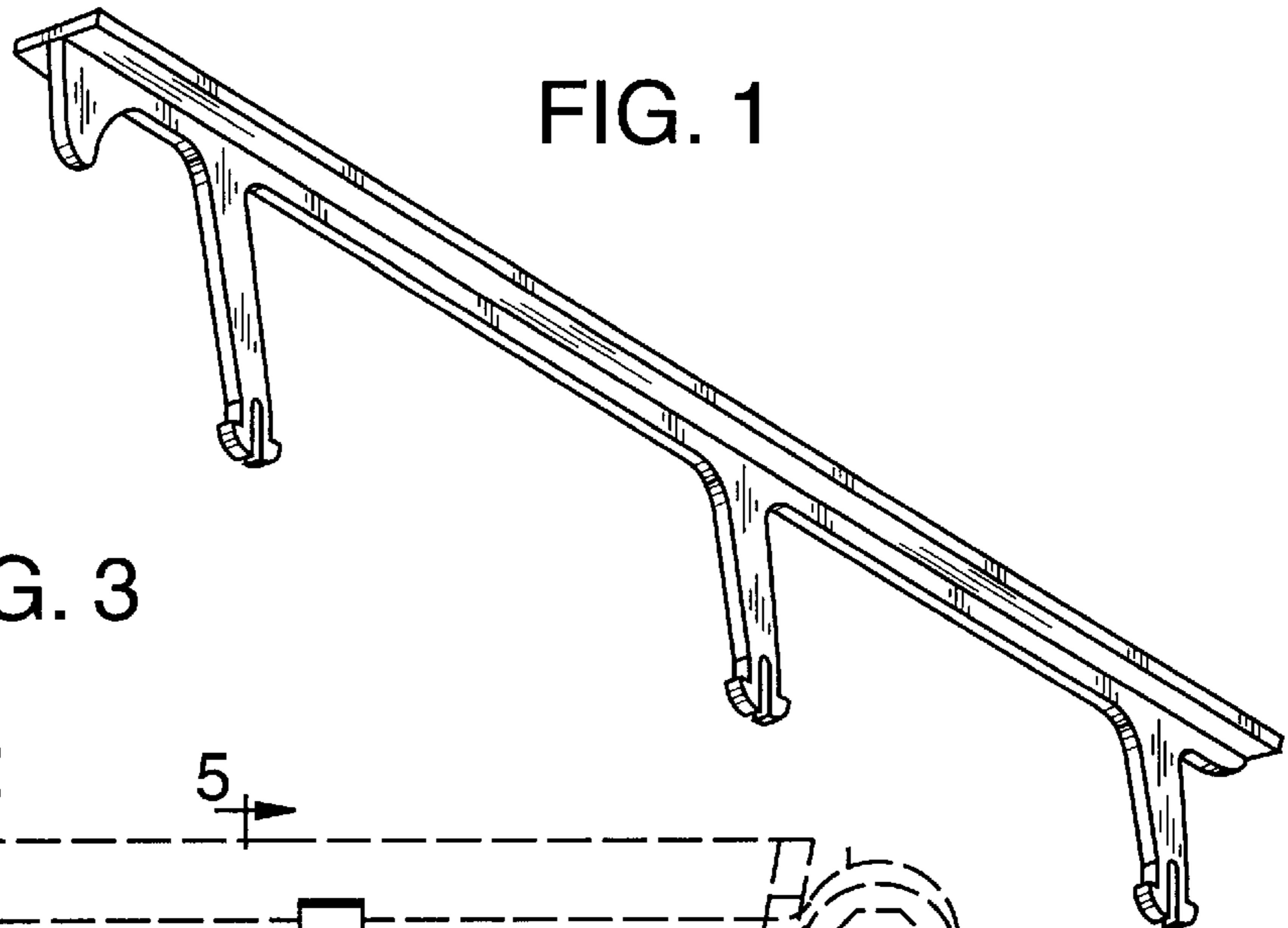


FIG. 1

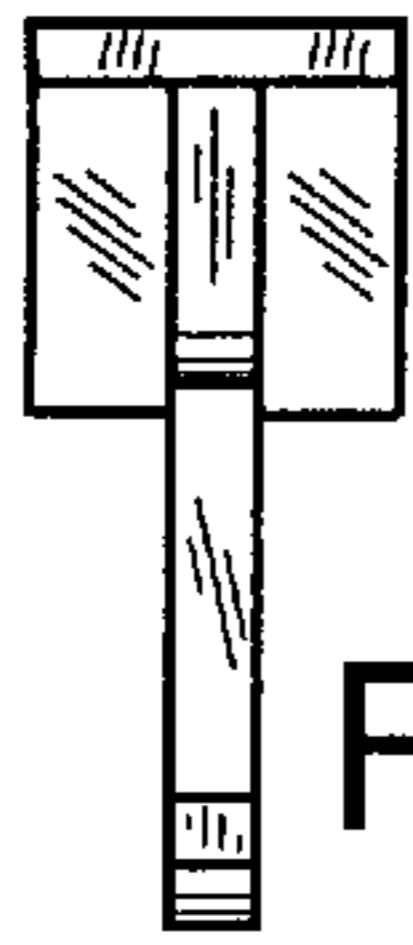


FIG. 3

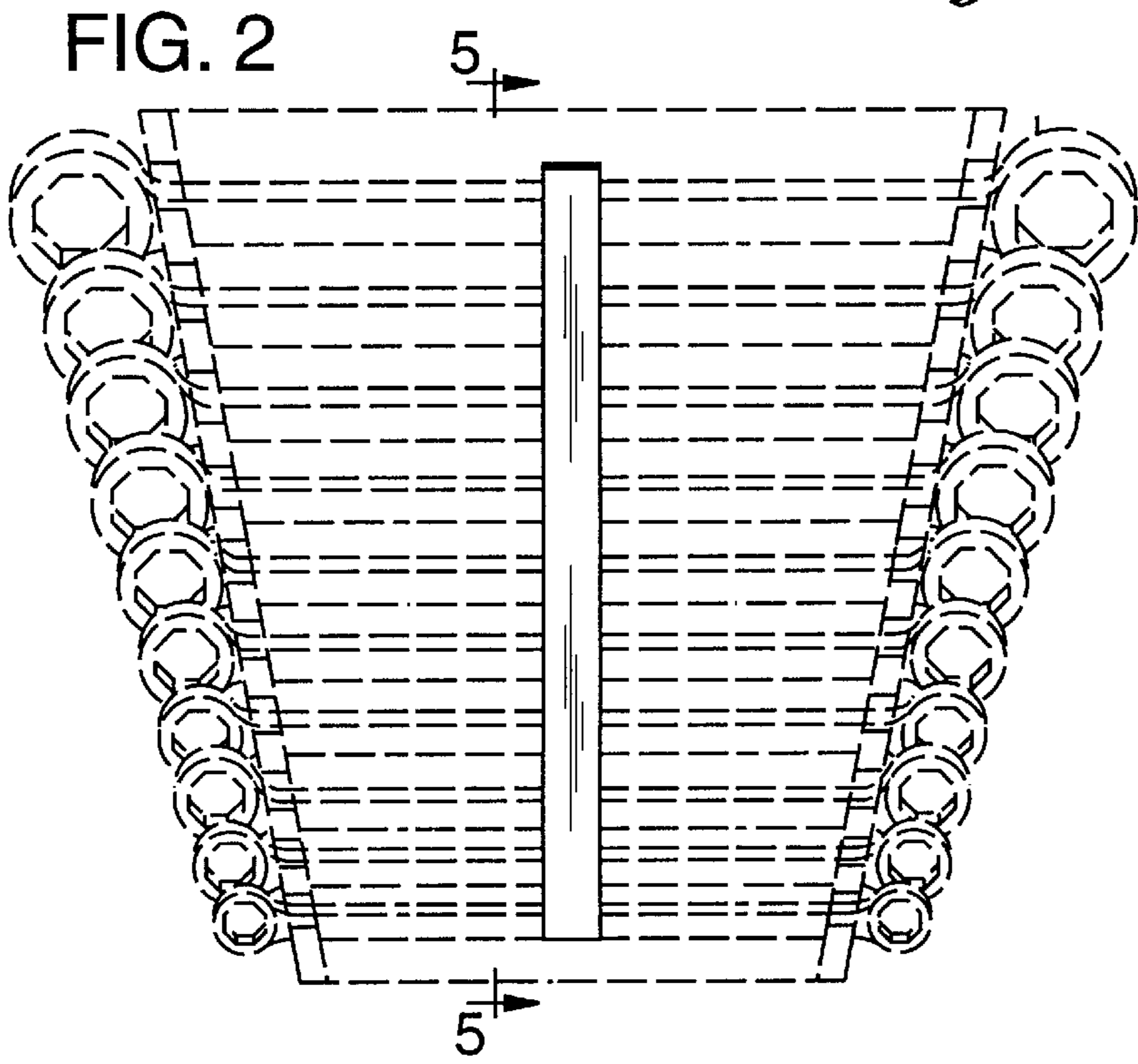


FIG. 2

FIG. 4

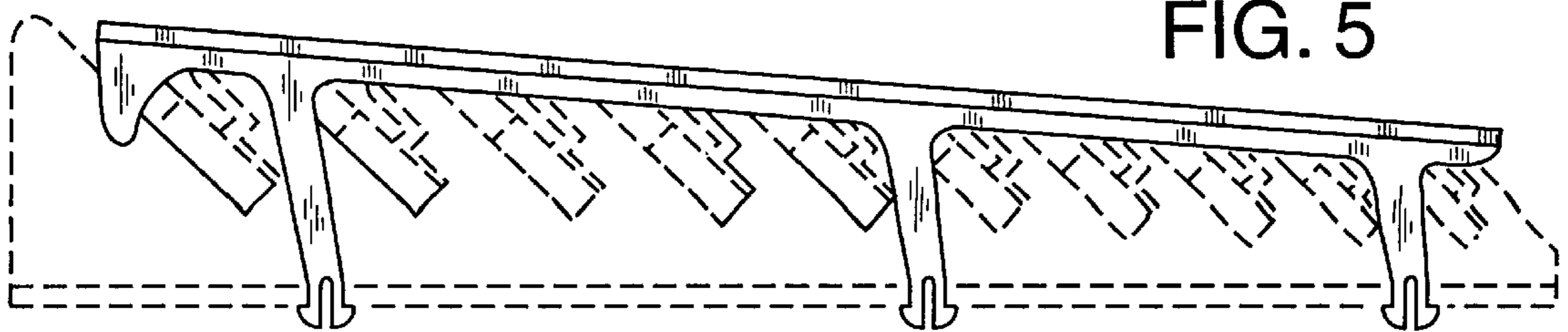
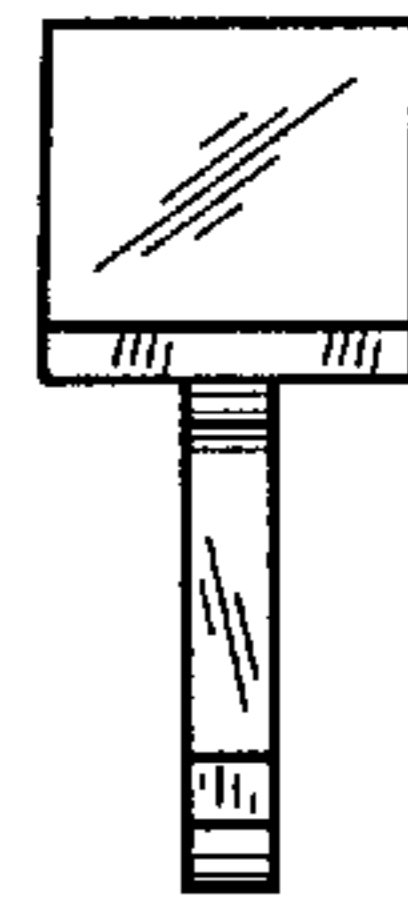


FIG. 5

FIG. 6

